



US00D703828S

(12) **United States Design Patent**
Jackson et al.

(10) **Patent No.:** **US D703,828 S**
(45) **Date of Patent:** **** Apr. 29, 2014**

- (54) **PIPETTE DEVICE**
- (71) Applicant: **Life Technologies Corporation,**
Carlsbad, CA (US)
- (72) Inventors: **John Jackson,** Oceanside, CA (US);
Kyle Bulloch, San Diego, CA (US);
Espir Kahatt, Carlsbad, CA (US)
- (73) Assignee: **Life Technologies Corporation,**
Carlsbad, CA (US)
- (**) Term: **14 Years**
- (21) Appl. No.: **29/453,696**
- (22) Filed: **May 1, 2013**
- (51) **LOC (10) Cl.** **24-02**
- (52) **U.S. Cl.**
USPC **D24/222**
- (58) **Field of Classification Search**
USPC D24/216, 222, 224, 231, 232, 112, 114,
D24/115; D10/81; 422/501; 73/864.01,
73/864.02, 864.11, 864.13, 864.14, 864.16
See application file for complete search history.

5,492,673	A	2/1996	Curtis et al.	
D375,798	S	* 11/1996	Boothby	D24/222
D419,685	S	1/2000	Jacquet et al.	
6,090,348	A	7/2000	Steele et al.	
D523,153	S	6/2006	Akashi et al.	
7,284,454	B2	* 10/2007	Cote	73/864.18
D591,865	S	5/2009	Hintikka	
D592,314	S	* 5/2009	Guo	D24/222
7,585,678	B2	9/2009	Sigrist	
D625,429	S	* 10/2010	Link et al.	D24/222
D669,575	S	10/2012	Ebert et al.	
D670,402	S	* 11/2012	Shibata	D24/216
D674,110	S	* 1/2013	Becher et al.	D24/216
D675,335	S	* 1/2013	Feuerabend et al.	D24/216
D689,193	S	* 9/2013	Shinohara et al.	D24/216
2008/0063567	A1	3/2008	Schacher et al.	
2011/0268627	A1	11/2011	Warhurst et al.	

* cited by examiner

Primary Examiner — Anhdao Doan

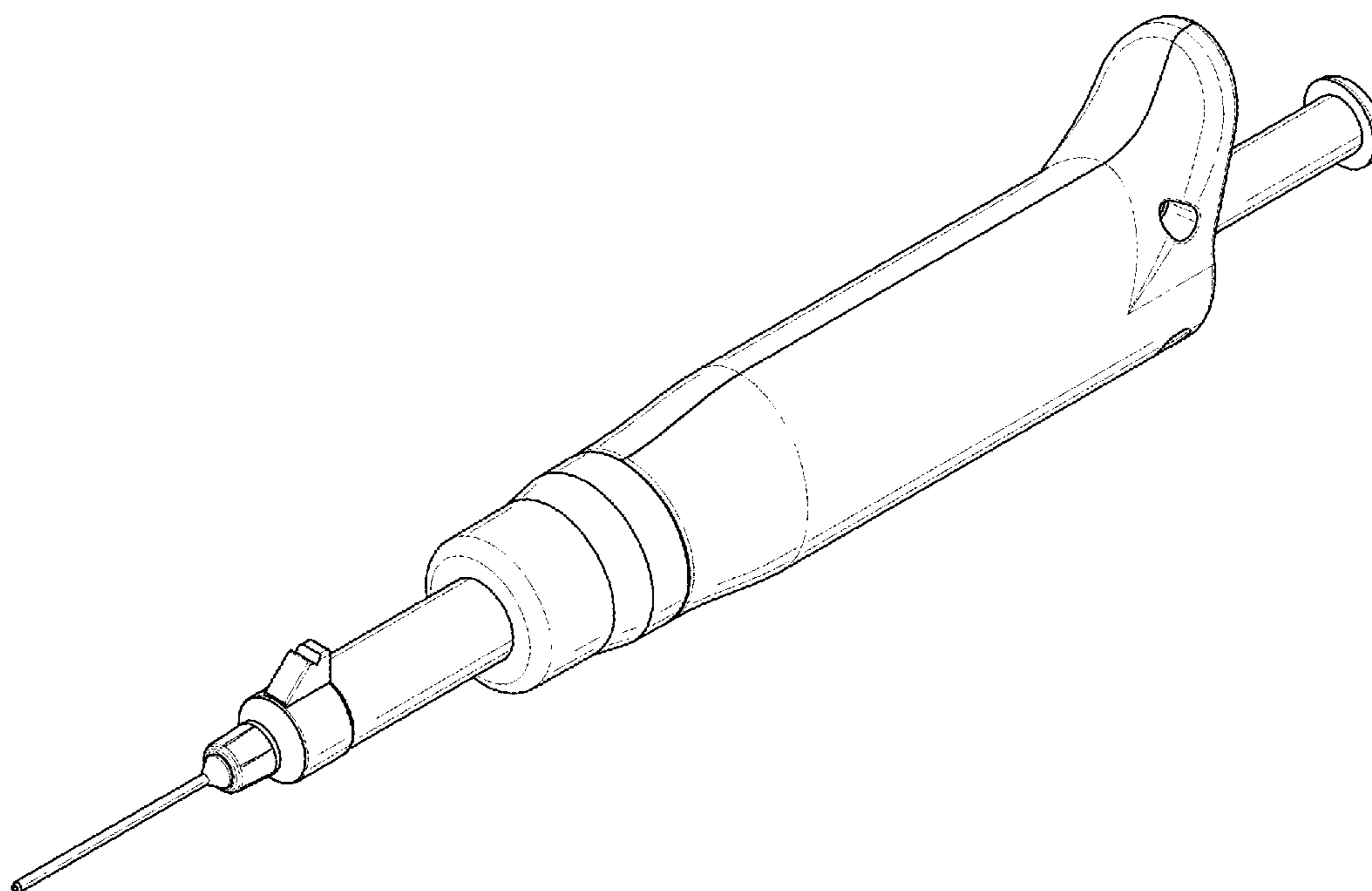
(57) **CLAIM**
The ornamental design for a pipette device, as shown and described.

DESCRIPTION

FIG. 1 is a perspective view of a pipette device;
FIG. 2 is a top view of the pipette device of FIG. 1;
FIG. 3 is a bottom view of the pipette device of FIG. 1;
FIG. 4 is a right side view of the pipette device of FIG. 1;
FIG. 5 is a left view of the pipette device of FIG. 1;
FIG. 6 is a front view of the pipette device of FIG. 1; and,
FIG. 7 is a back view of the pipette device of FIG. 1.

1 Claim, 6 Drawing Sheets

- (56) **References Cited**
U.S. PATENT DOCUMENTS
- 4,418,580 A * 12/1983 Satchell et al. 73/864.13
- D305,565 S * 1/1990 Malinoff
- 4,967,606 A 11/1990 Wells et al.
- 4,976,161 A 12/1990 Czernecki et al.
- D330,770 S * 11/1992 Rodomista et al. D24/216



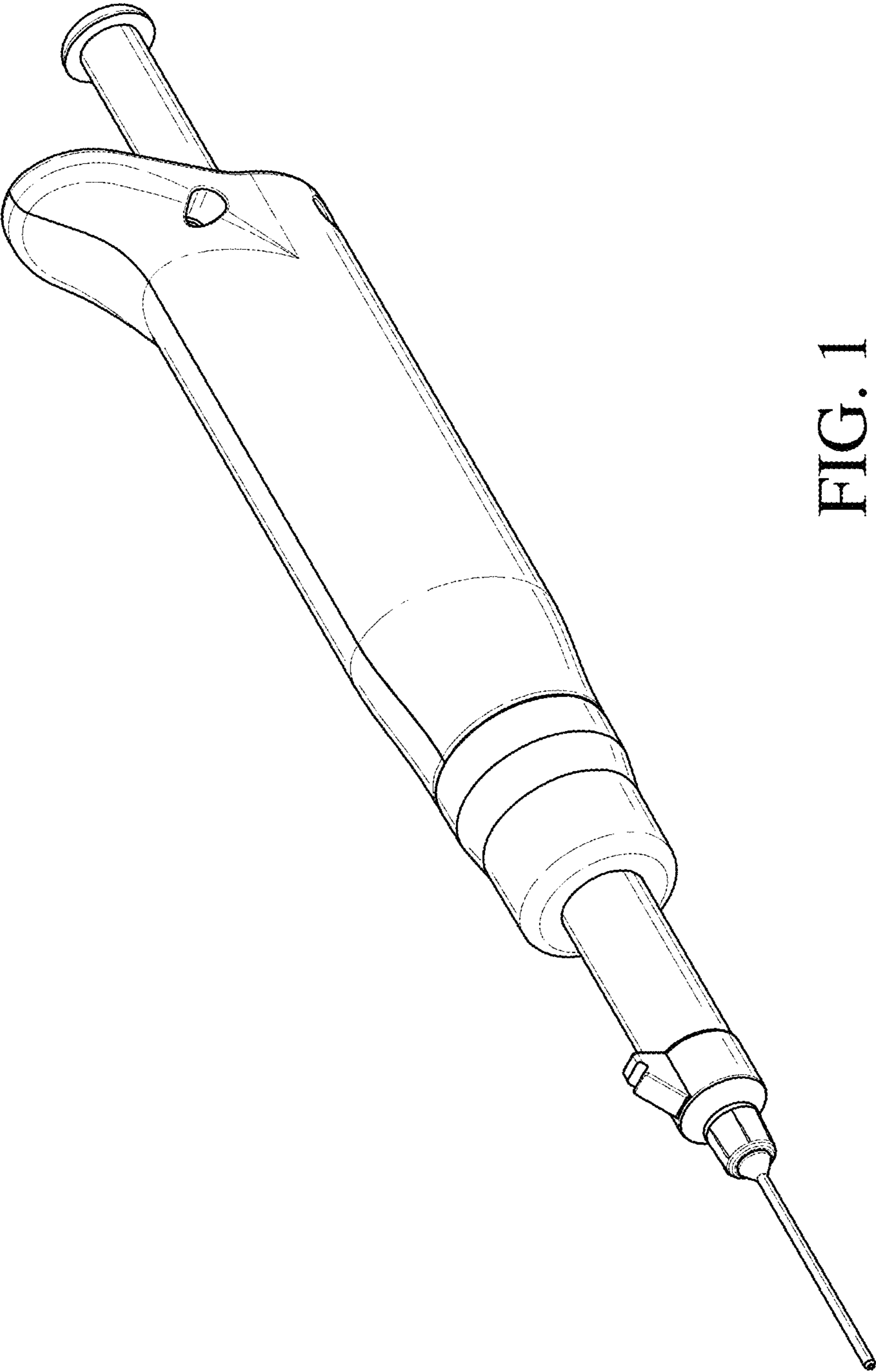


FIG. 1

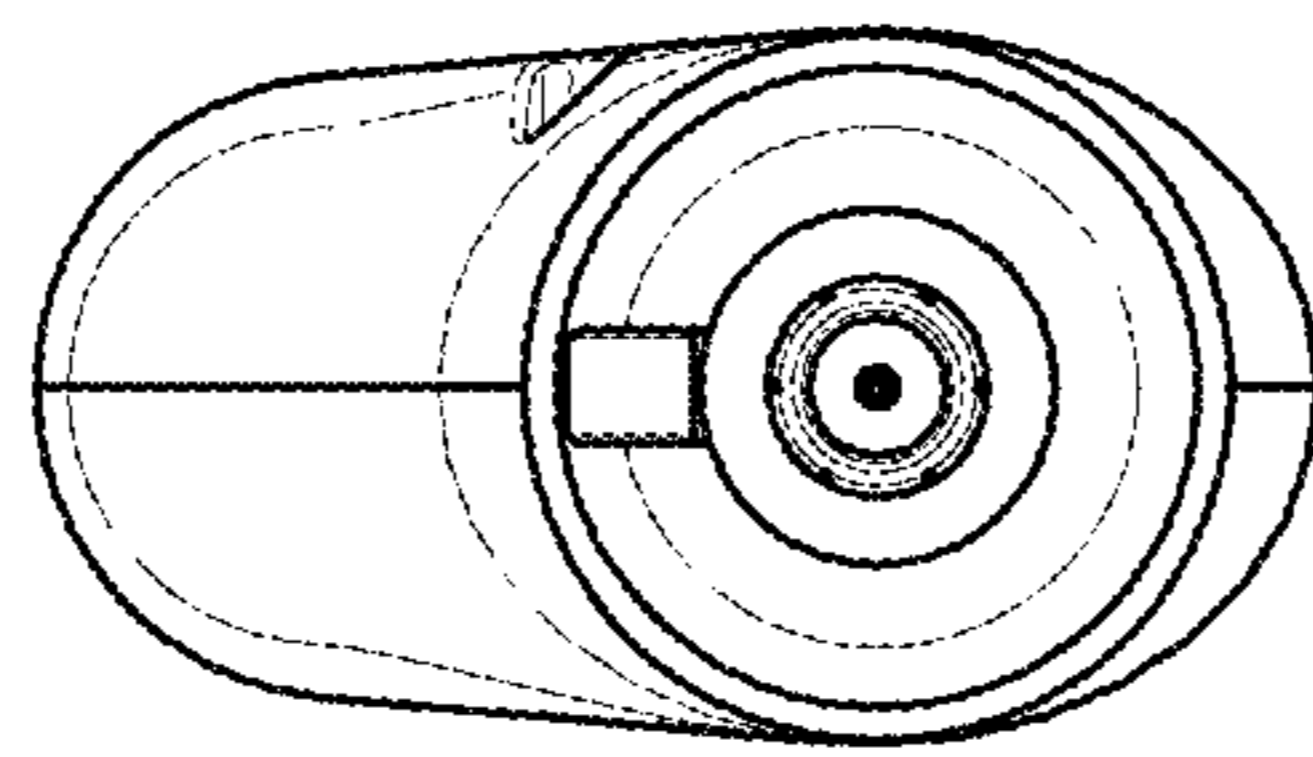


FIG. 2

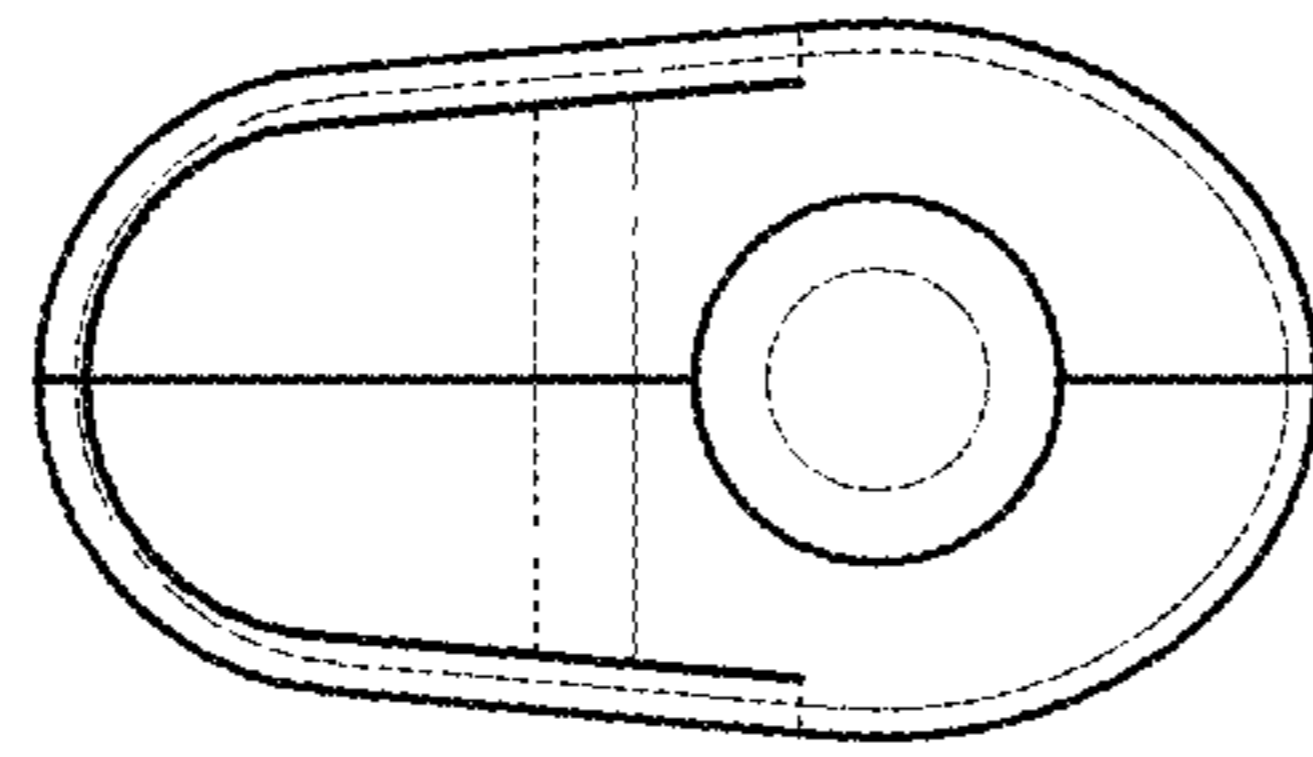


FIG. 3

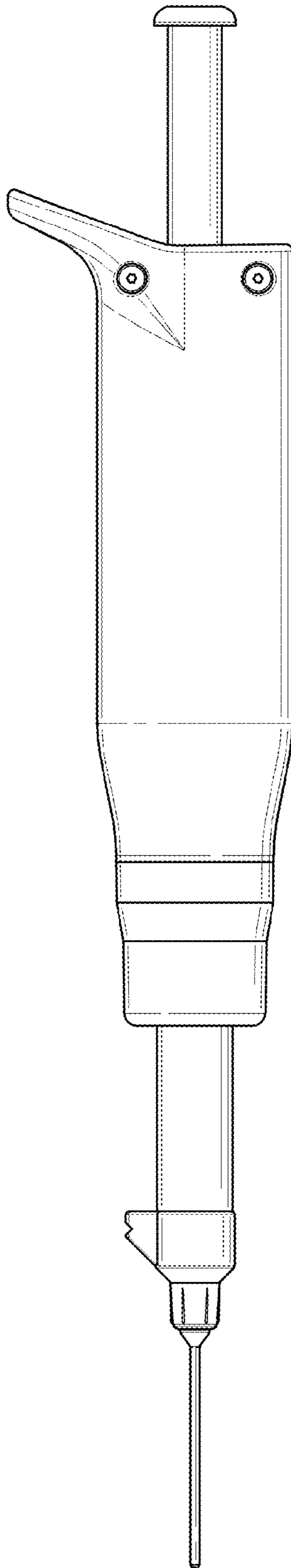


FIG. 4

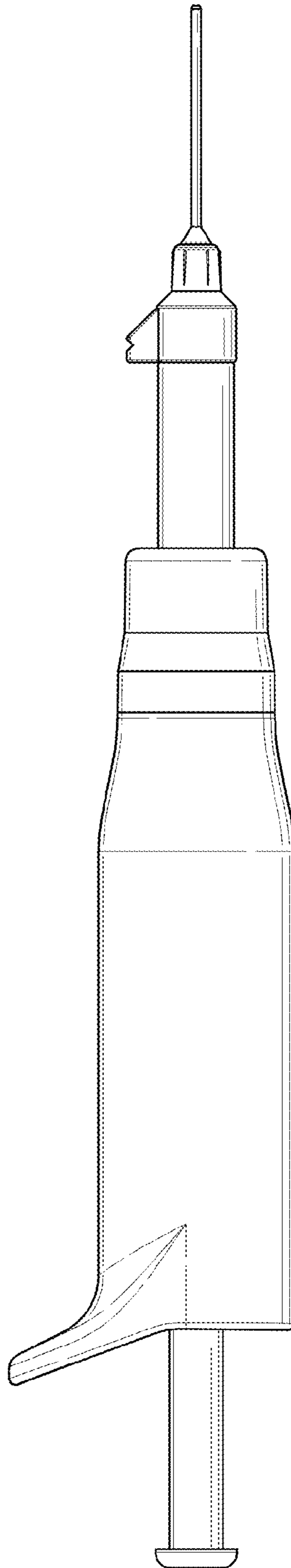


FIG. 5

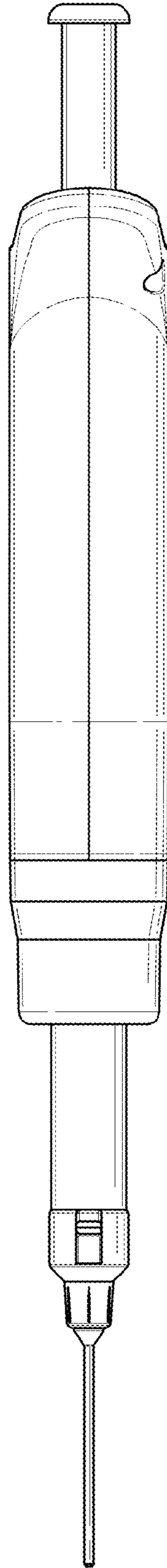


FIG. 6

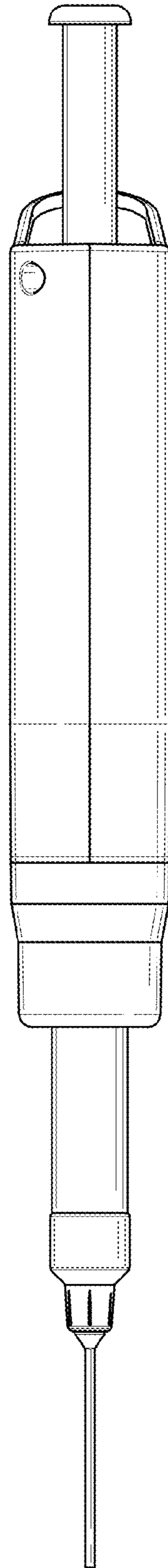


FIG. 7