



US00D703825S

(12) **United States Design Patent**  
**Barrett**

(10) **Patent No.:** **US D703,825 S**  
(45) **Date of Patent:** **\*\* Apr. 29, 2014**

(54) **BATTERY-OPERATED MASSAGER AND SOAP DISPENSING WAND**

(76) Inventor: **Cliff Barrett**, Amherst, TX (US)

(\*\*) Term: **14 Years**

(21) Appl. No.: **29/429,302**

(22) Filed: **Aug. 9, 2012**

(51) **LOC (10) Cl.** ..... **24-01**

(52) **U.S. Cl.**

USPC ..... **D24/200**; D4/102; D4/114; D4/127

(58) **Field of Classification Search**

USPC ..... D24/169, 17, 184, 186, 200; D10/78, D10/81; D13/168; 607/88-89, 93; 606/237-239; D4/100, 102, 114-115, D4/127

See application file for complete search history.

(56) **References Cited**

**U.S. PATENT DOCUMENTS**

2,465,250	A *	3/1949	McCready	.....	601/87
D197,458	S *	2/1964	Bucknell et al.	.....	D4/115
3,927,434	A	12/1975	Burgess		
3,932,909	A	1/1976	Johnson et al.		
4,724,563	A	2/1988	Fry et al.		
D301,617	S *	6/1989	Yonesawa et al.	.....	D24/211
D315,251	S *	3/1991	Clivio	.....	D4/115
D318,179	S *	7/1991	Akins	.....	D4/115
D323,034	S *	1/1992	Reinstein	.....	D24/206
D331,288	S *	11/1992	Yuen	.....	D24/214
D331,499	S *	12/1992	Tsai	.....	D4/115
D346,698	S *	5/1994	Hinnant	.....	D4/114
D369,026	S *	4/1996	Furbert et al.	.....	D4/115
D388,961	S *	1/1998	Berti	.....	D4/138
D410,110	S *	5/1999	Roland	.....	D28/7
D447,635	S *	9/2001	Smith	.....	D4/114
D451,288	S *	12/2001	Bean et al.	.....	D4/121
D490,614	S *	6/2004	Katz et al.	.....	D4/127
D510,440	S *	10/2005	Huang	.....	D24/211
D514,328	S *	2/2006	Huang	.....	D4/121
6,996,861	B1	2/2006	Clark, Jr.		

D517,811	S *	3/2006	Daubenspeck et al.	.....	D4/102
D524,547	S *	7/2006	Hay	.....	D4/127
D565,846	S *	4/2008	Holcomb et al.	.....	D4/114
D588,816	S *	3/2009	Hughes, IV	.....	D4/121

(Continued)

**OTHER PUBLICATIONS**

SB Gift, 暮らしのアイテムセレクション Bコースの交換商品 2008, sbg.jp  
<http://sbg.jp/index.php?Action=ProductExInfo&ppid=480&cpid=332>.\*

(Continued)

*Primary Examiner* — Eric Goodman

*Assistant Examiner* — John Reickel

(74) *Attorney, Agent, or Firm* — Robert C. Montgomery; Montgomery Patent & Design

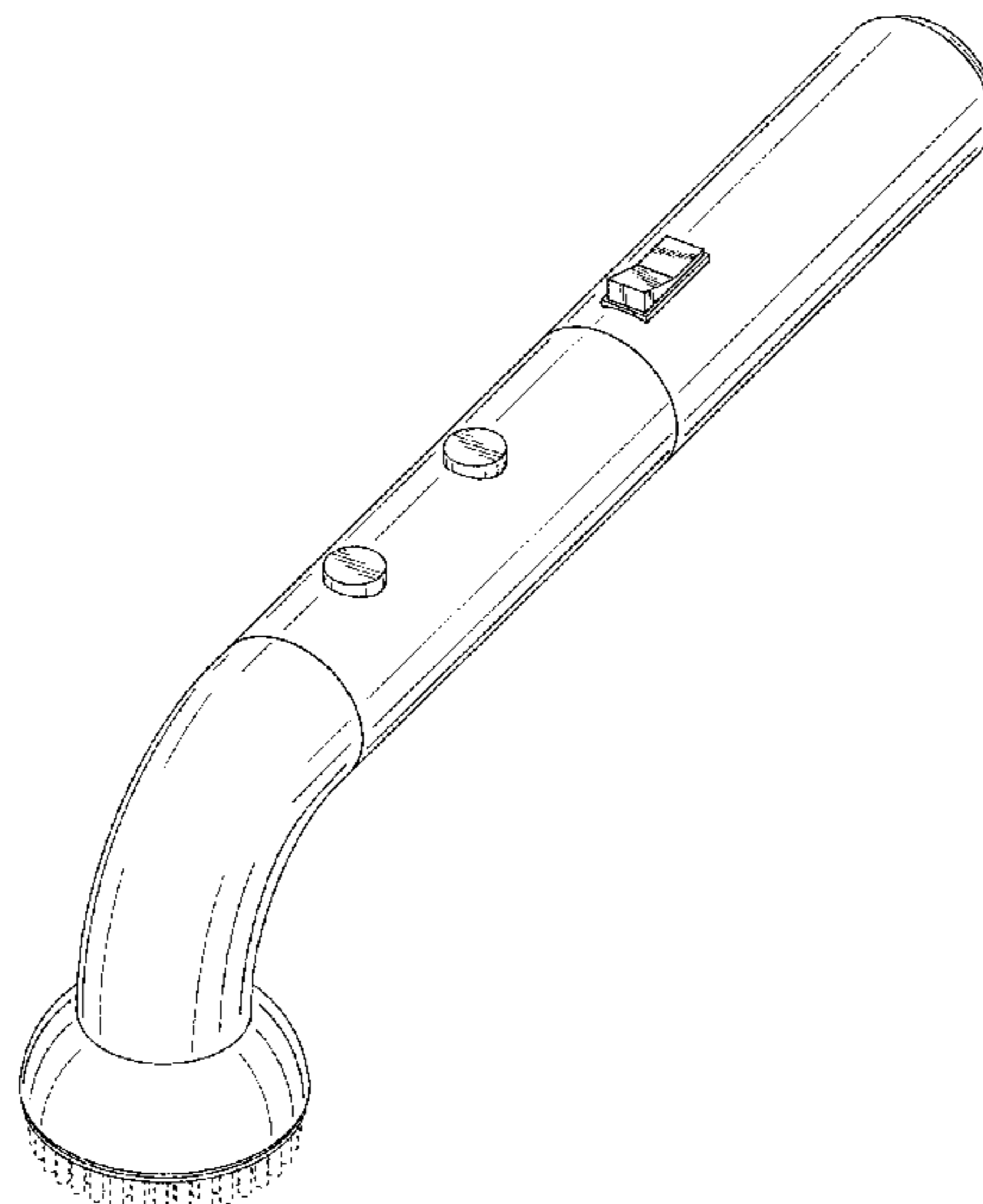
(57) **CLAIM**

The ornamental design for a battery-operated massager and soap dispensing wand, as shown and described.

**DESCRIPTION**

FIG. 1 is a perspective top view of a battery-operated massager and soap dispensing wand, showing my new design; FIG. 2 is a front view thereof; FIG. 3 is a rear view thereof; FIG. 4 is a left side view thereof with a right side view being a mirror image; FIG. 5 is a top view thereof; FIG. 6 is a bottom view thereof; FIG. 7 is a perspective top view of the battery-operated massager and soap dispensing wand depicted with a removable scrubber head detached; and, FIG. 8 is a perspective bottom view of the battery-operated massager and soap dispensing wand of FIG. 7. The broken line showing of bristles of the removable scrubber head is for the purpose of illustrating environmental structure and forms no part of the claimed design.

**1 Claim, 8 Drawing Sheets**



(56)

**References Cited**

U.S. PATENT DOCUMENTS

D591,953 S \* 5/2009 Krus et al. .... D4/127  
D599,114 S \* 9/2009 Hinnant ..... D4/114  
D609,817 S \* 2/2010 Piller et al. .... D24/215  
D612,510 S \* 3/2010 Byle ..... D24/210  
D613,417 S \* 4/2010 Imboden et al. .... D24/215  
D633,625 S \* 3/2011 Maderazzo ..... D24/200  
D636,087 S \* 4/2011 Loew et al. .... D24/200  
D637,308 S \* 5/2011 Imboden et al. .... D24/215  
D637,309 S \* 5/2011 Park ..... D24/215  
D646,487 S \* 10/2011 Leppla et al. .... D4/102

D649,259 S \* 11/2011 Tompkin ..... D24/215  
D651,321 S \* 12/2011 Marchese et al. .... D24/209  
D671,226 S \* 11/2012 Aulwes et al. .... D24/215  
D674,109 S \* 1/2013 Sedic ..... D24/215  
2004/0211015 A1 10/2004 Chen  
2008/0052856 A1 3/2008 Lin

OTHER PUBLICATIONS

Bath Brush Power Massage. ebay.com. [http://compare.ebay.com/like/270876124097?var=Iv&ltyp=AllFixedProceItemTypes&var=sbar&\\_lwgisi=y&cbt=y](http://compare.ebay.com/like/270876124097?var=Iv&ltyp=AllFixedProceItemTypes&var=sbar&_lwgisi=y&cbt=y).

\* cited by examiner

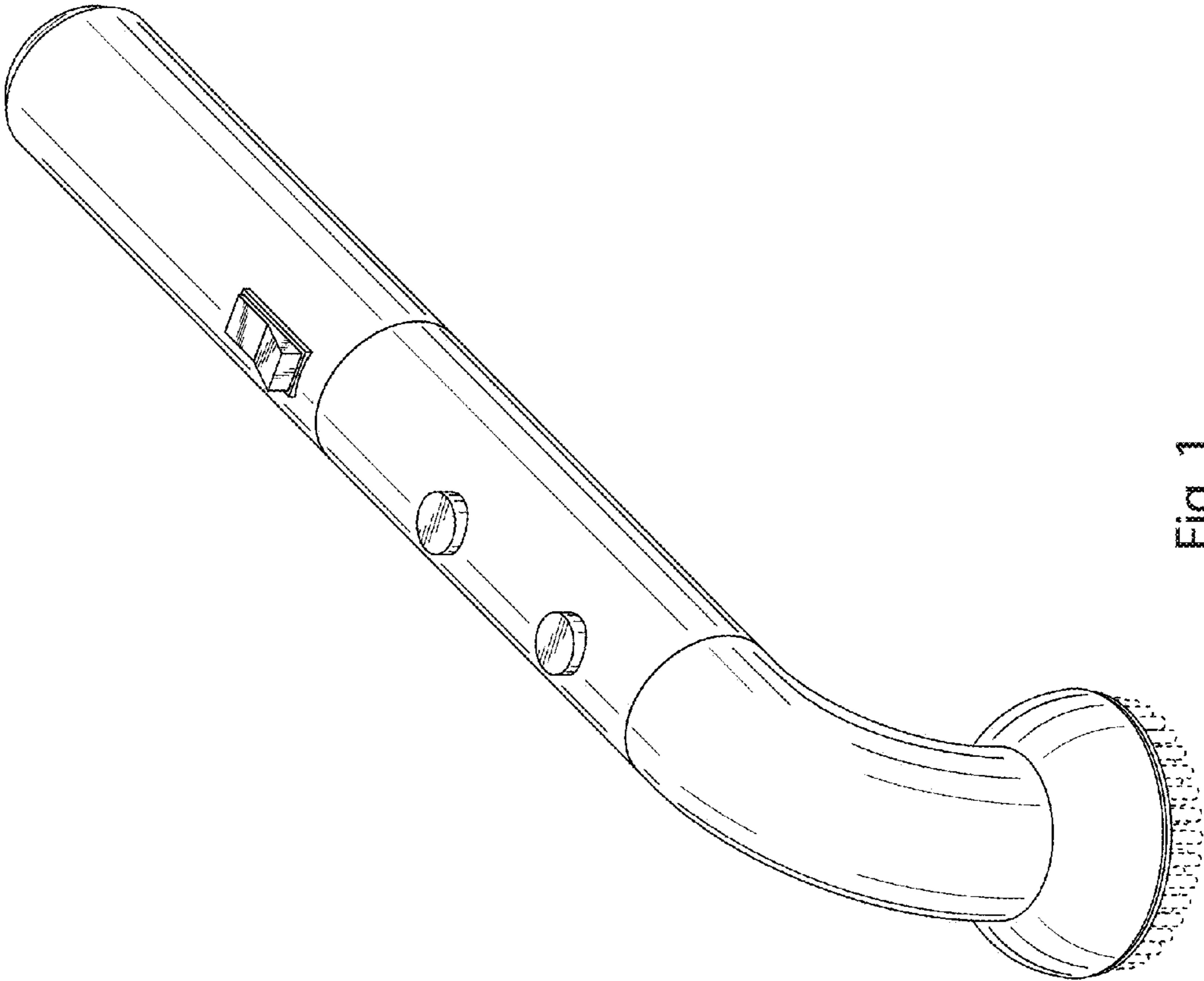


Fig. 1

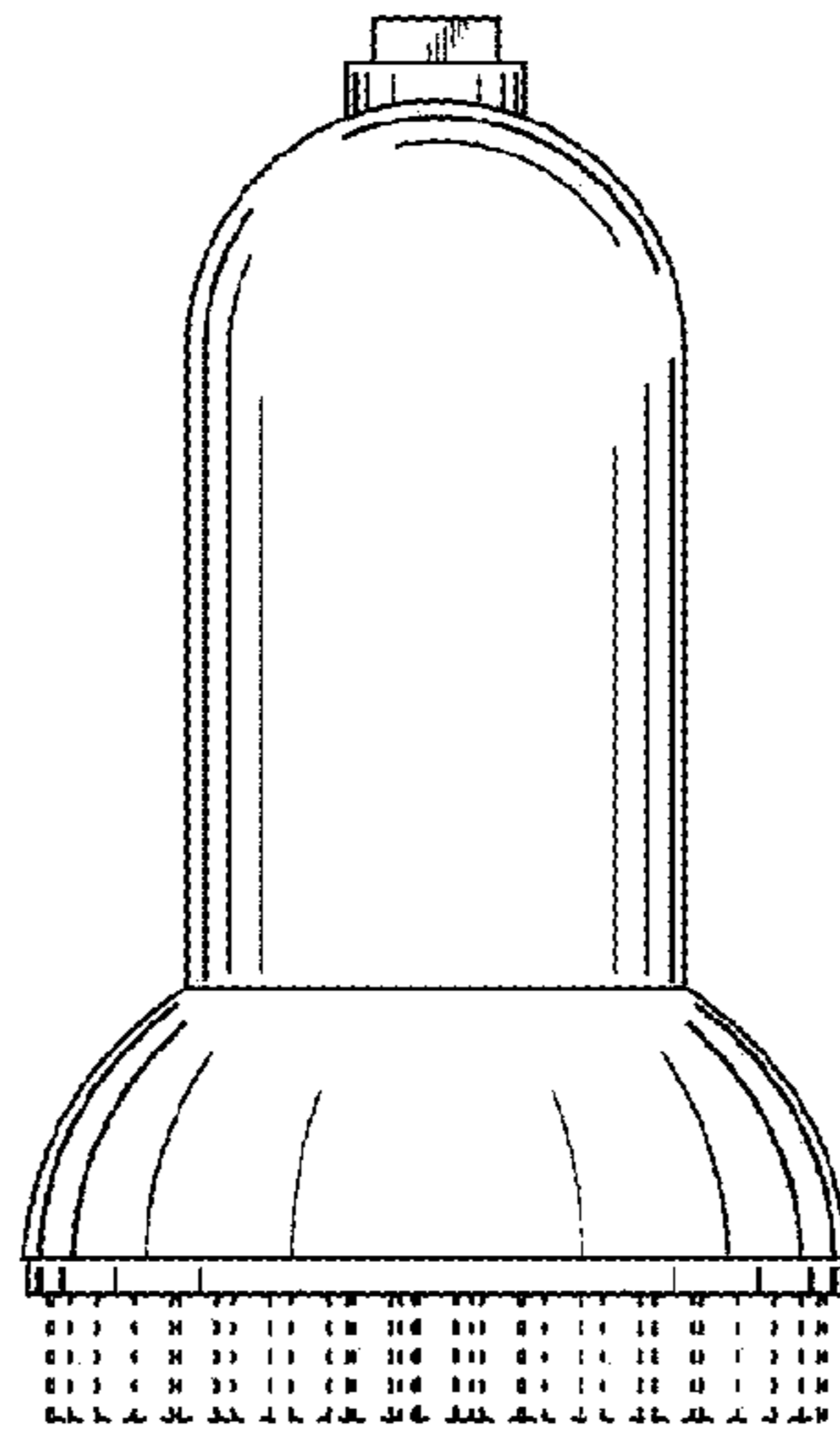


Fig. 2

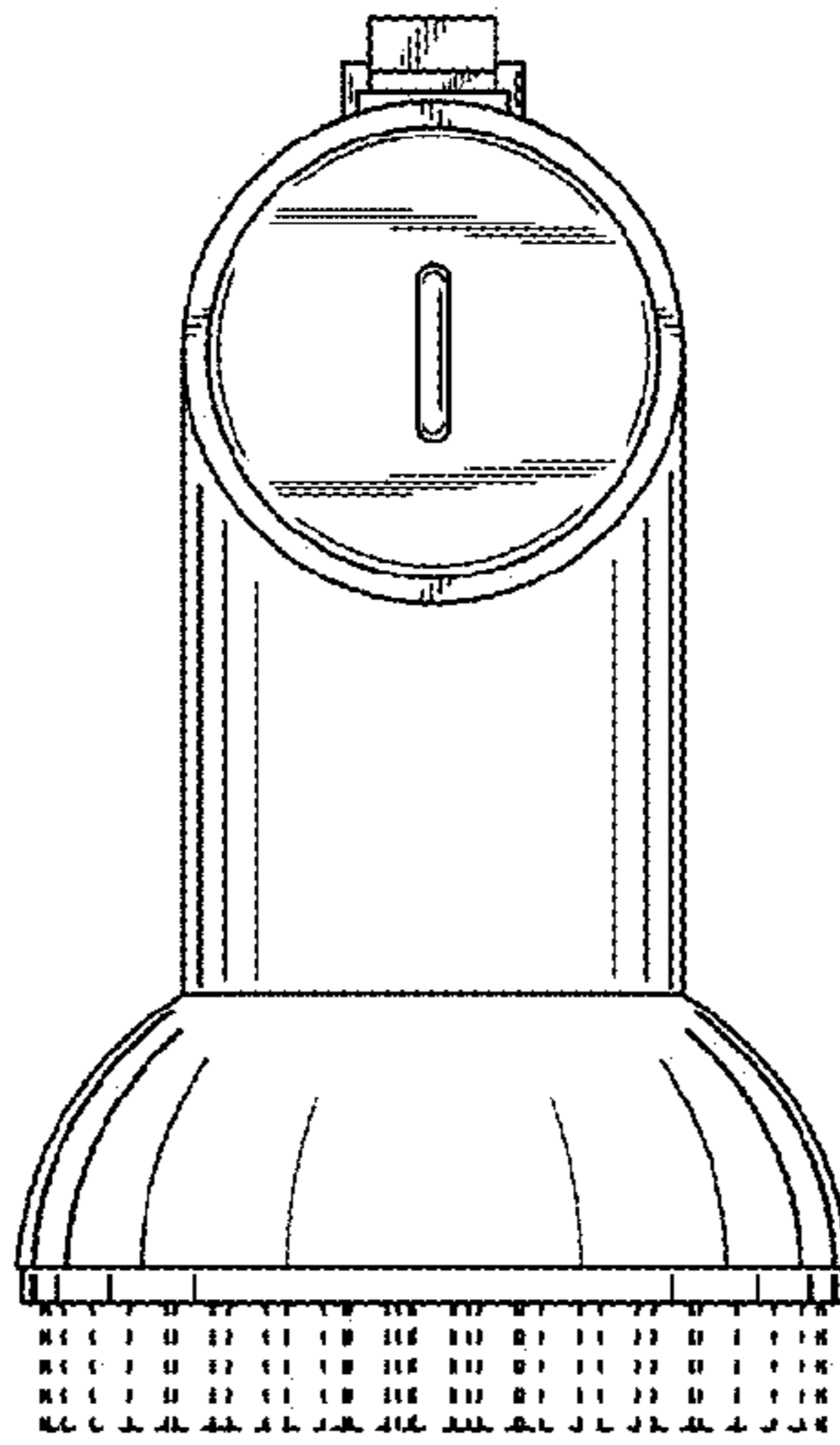


Fig. 3

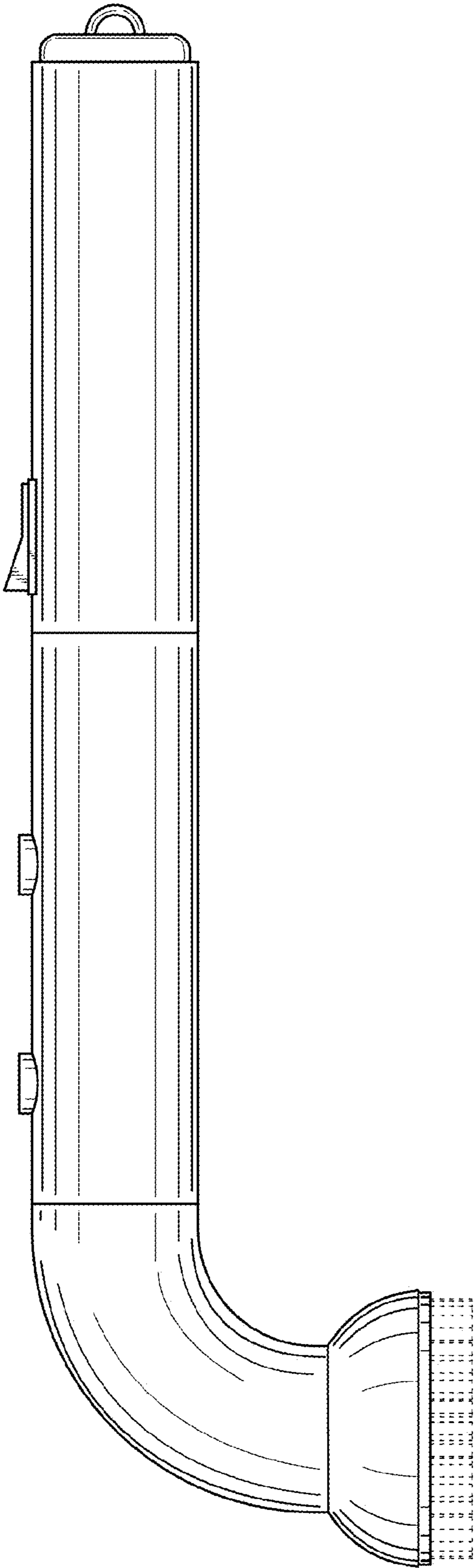


Fig. 4

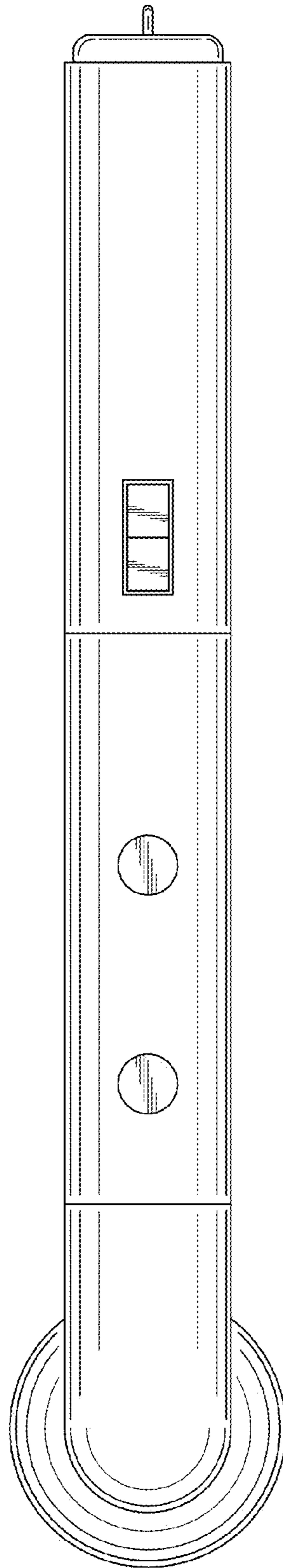


Fig. 5



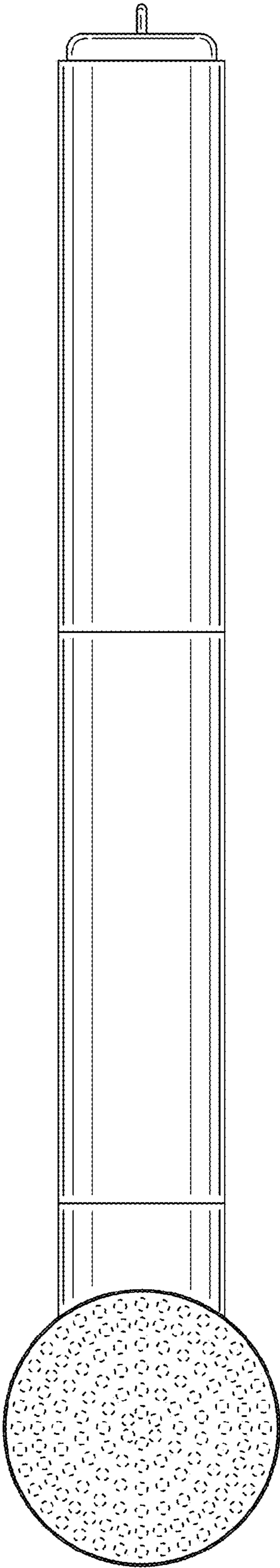


Fig. 6



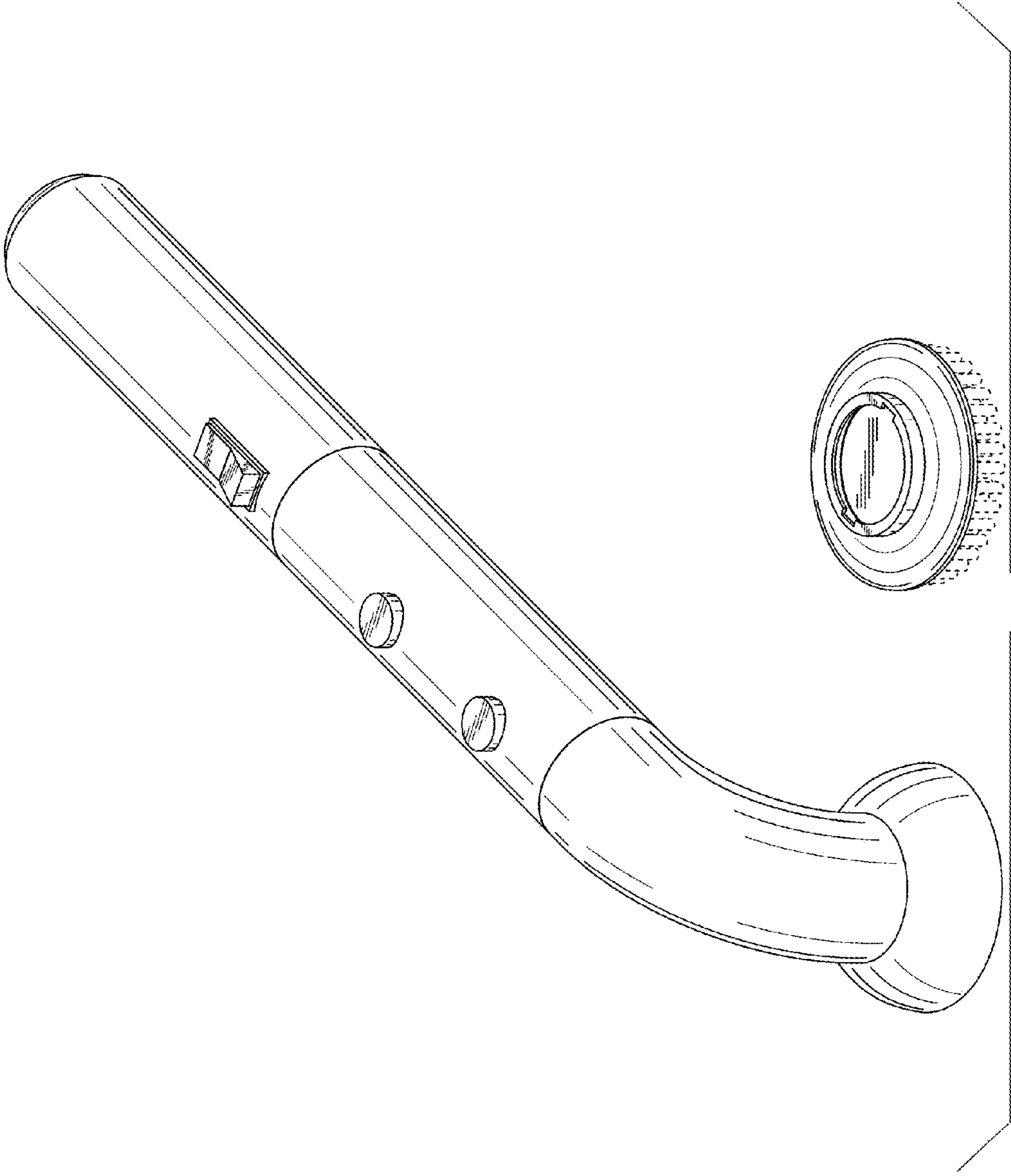


Fig. 7

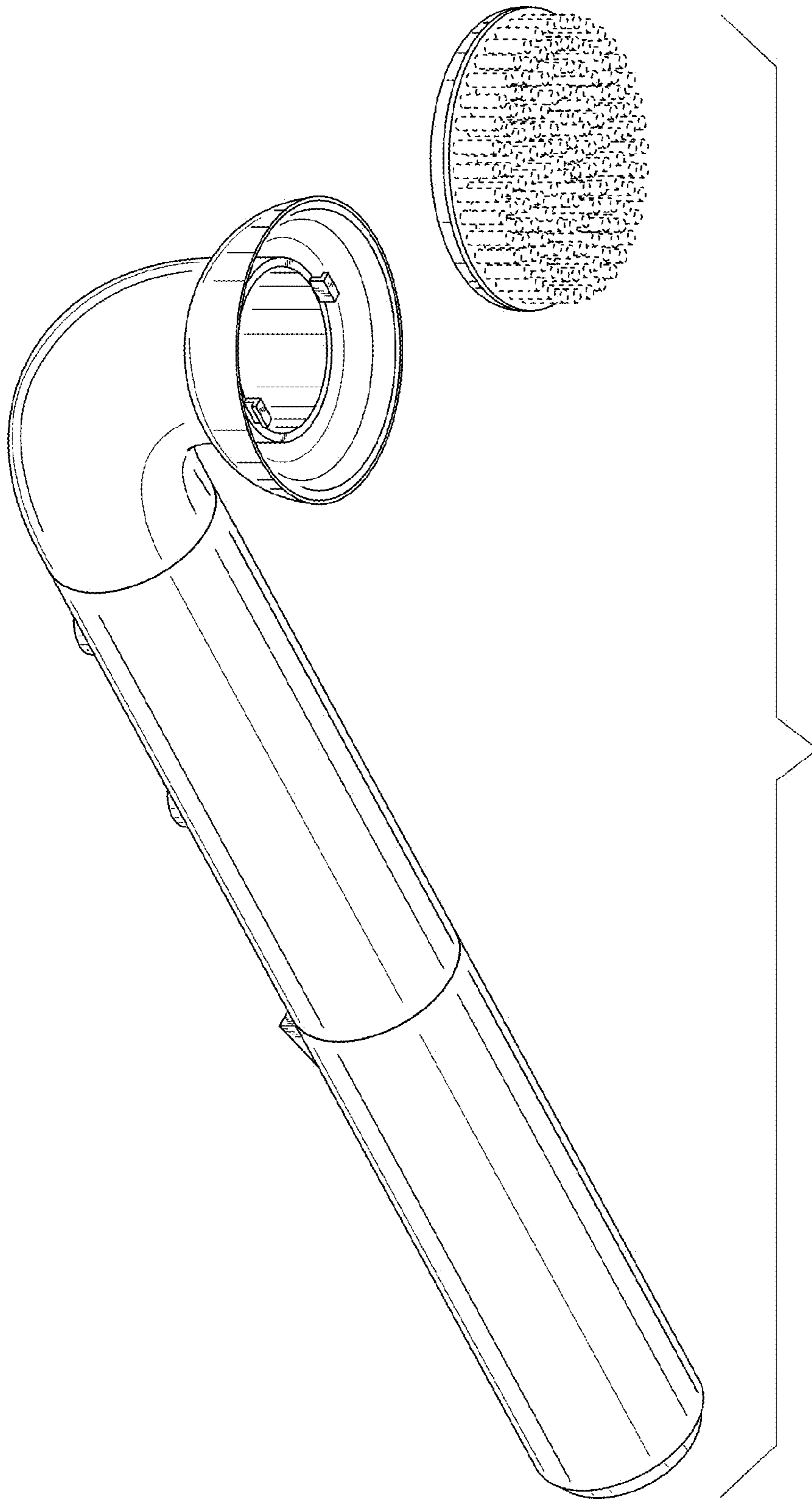


Fig. 8