



US00D703820S

(12) **United States Design Patent**
Moon et al.

(10) **Patent No.:** **US D703,820 S**
(45) **Date of Patent:** **** Apr. 29, 2014**

(54) **PROBE FOR ULTRASOUND DIAGNOSTIC APPARATUS**

(71) Applicant: **Samsung Medison Co., Ltd.**,
Hongcheon-gun (KR)
(72) Inventors: **Jun Pil Moon**, Seoul (KR); **Song Mi Ran**, Seoul (KR); **Ui Kim**, Seoul (KR)
(73) Assignee: **Samsung Medison Co., Ltd.**,
Hongcheon-Gun (KR)

(**) Term: **14 Years**

(21) Appl. No.: **29/464,121**

(22) Filed: **Aug. 13, 2013**

(30) **Foreign Application Priority Data**

Feb. 13, 2013 (KR) 30-2013-0007452

(51) **LOC (10) Cl.** **24-01**

(52) **U.S. Cl.**
USPC **D24/187**

(58) **Field of Classification Search**
USPC D24/138, 141, 158, 164, 165, 167, 170,
D24/186-187, 133, 160; D10/57, 60, 78,
D10/80; 600/407, 461, 446, 459; 378/98.7,
378/98.8, 189

See application file for complete search history.

(56) **References Cited**

U.S. PATENT DOCUMENTS

D300,175	S	*	3/1989	Bar-Yam	D24/138
4,841,979	A	*	6/1989	Dow et al.	600/446
D304,760	S	*	11/1989	Curtis et al.	D24/141
D319,793	S	*	9/1991	Dubut	D10/60
D320,078	S	*	9/1991	Terwilliger et al.	D24/158
D387,867	S	*	12/1997	Henderson et al.	D24/187
D467,002	S	*	12/2002	Felix et al.	D24/187
D596,300	S	*	7/2009	Han et al.	D24/186
D598,108	S	*	8/2009	Hasegawa	D24/186
D609,352	S	*	2/2010	Kitayama	D24/186
D679,021	S	*	3/2013	Tani et al.	D24/187

* cited by examiner

Primary Examiner — T. Chase Nelson
Assistant Examiner — Mark Cavanna
(74) *Attorney, Agent, or Firm* — Ladas & Parry LLP

(57) **CLAIM**

We claim the ornamental design for a probe for ultrasound diagnostic apparatus, as shown.

DESCRIPTION

FIG. 1 is a front view of a probe for ultrasound diagnostic apparatus showing my new design.
FIG. 2 is a front-side elevational view thereof;
FIG. 3 is a rear-side elevational view thereof;
FIG. 4 is a left-side elevational view thereof;
FIG. 5 is a right-side elevational view thereof;
FIG. 6 is a top-side elevational view thereof; and,
FIG. 7 is a bottom-side elevational view thereof.

1 Claim, 6 Drawing Sheets



FIG. 1

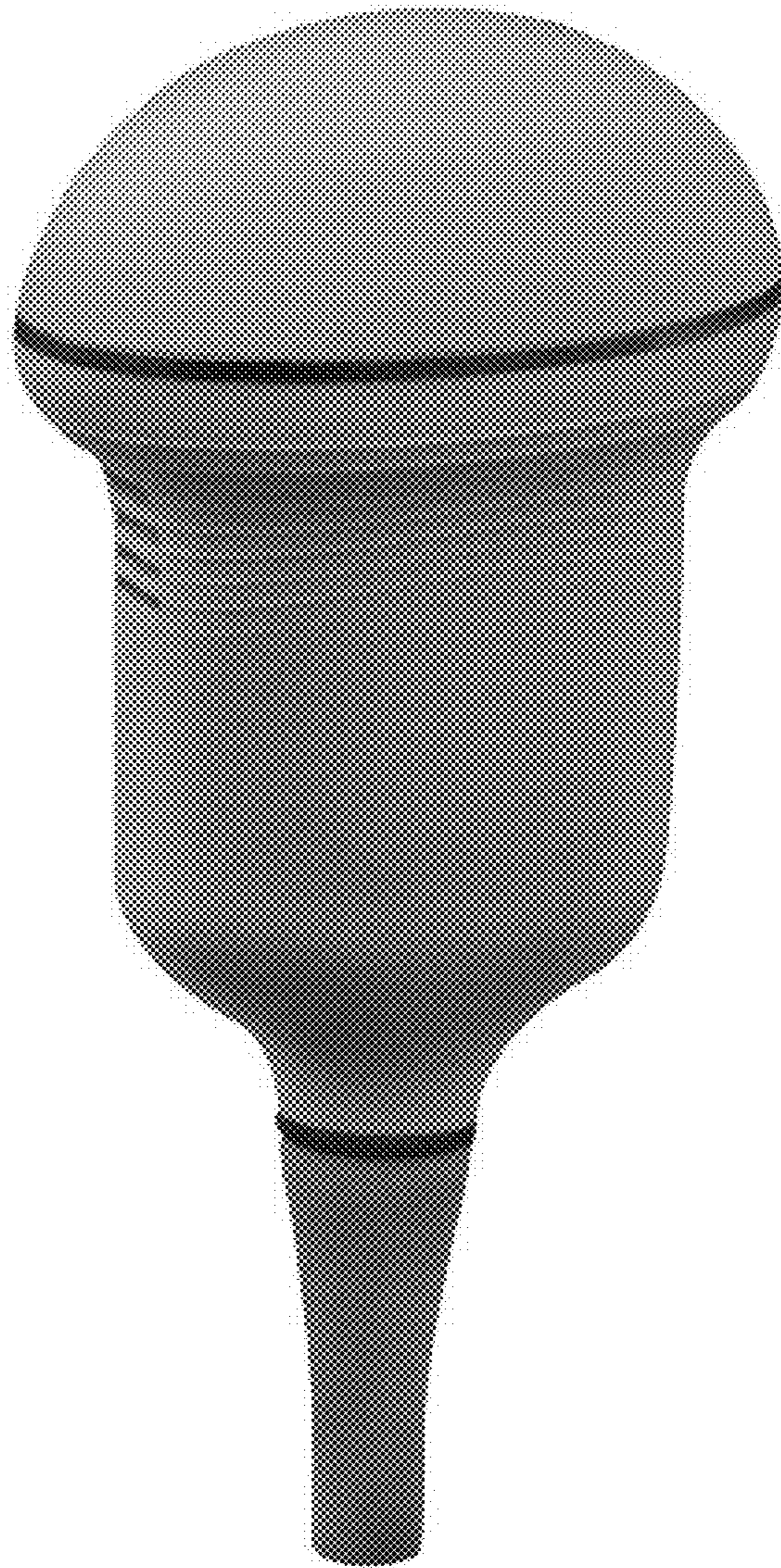


FIG. 2

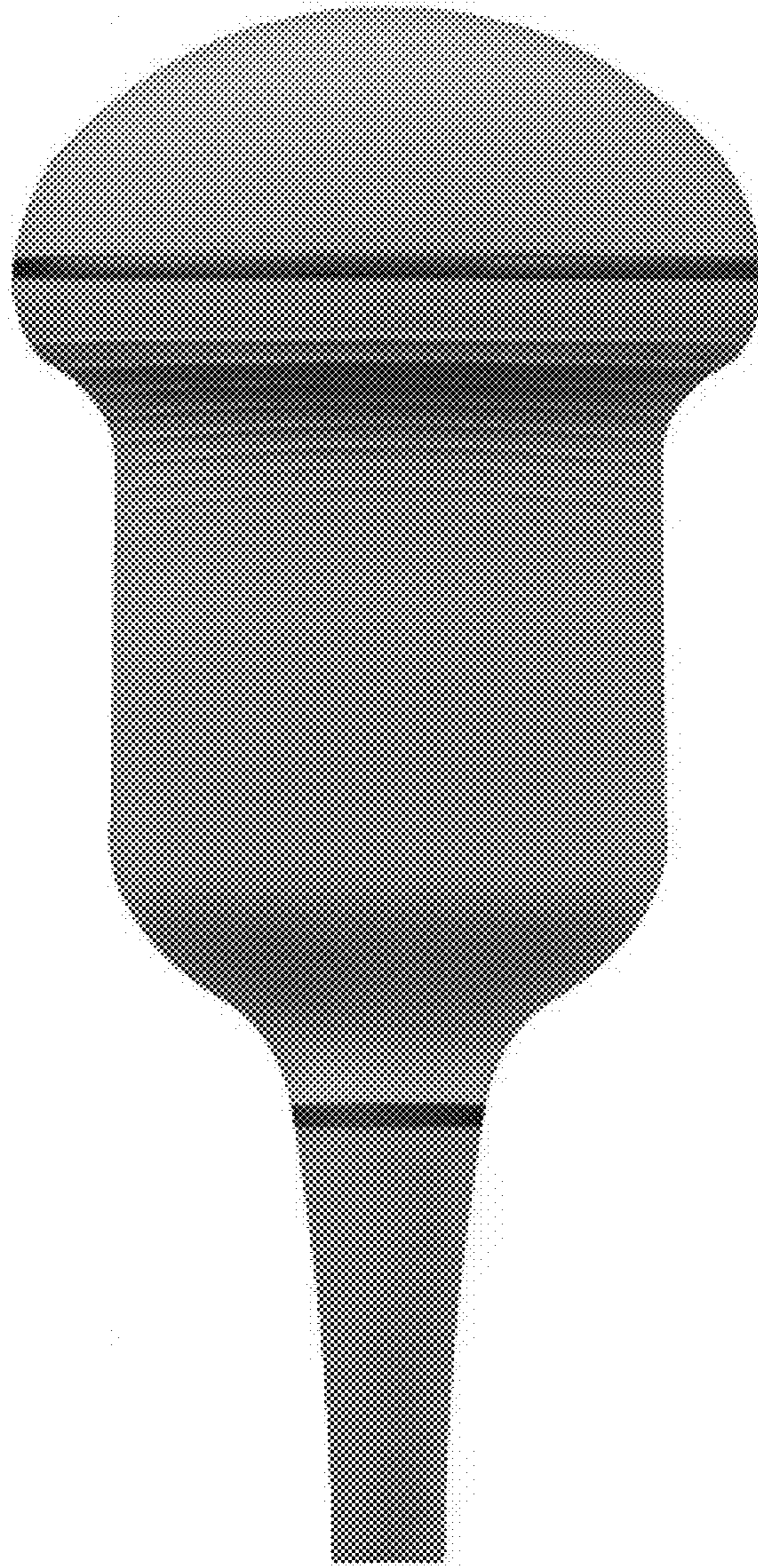


FIG. 3

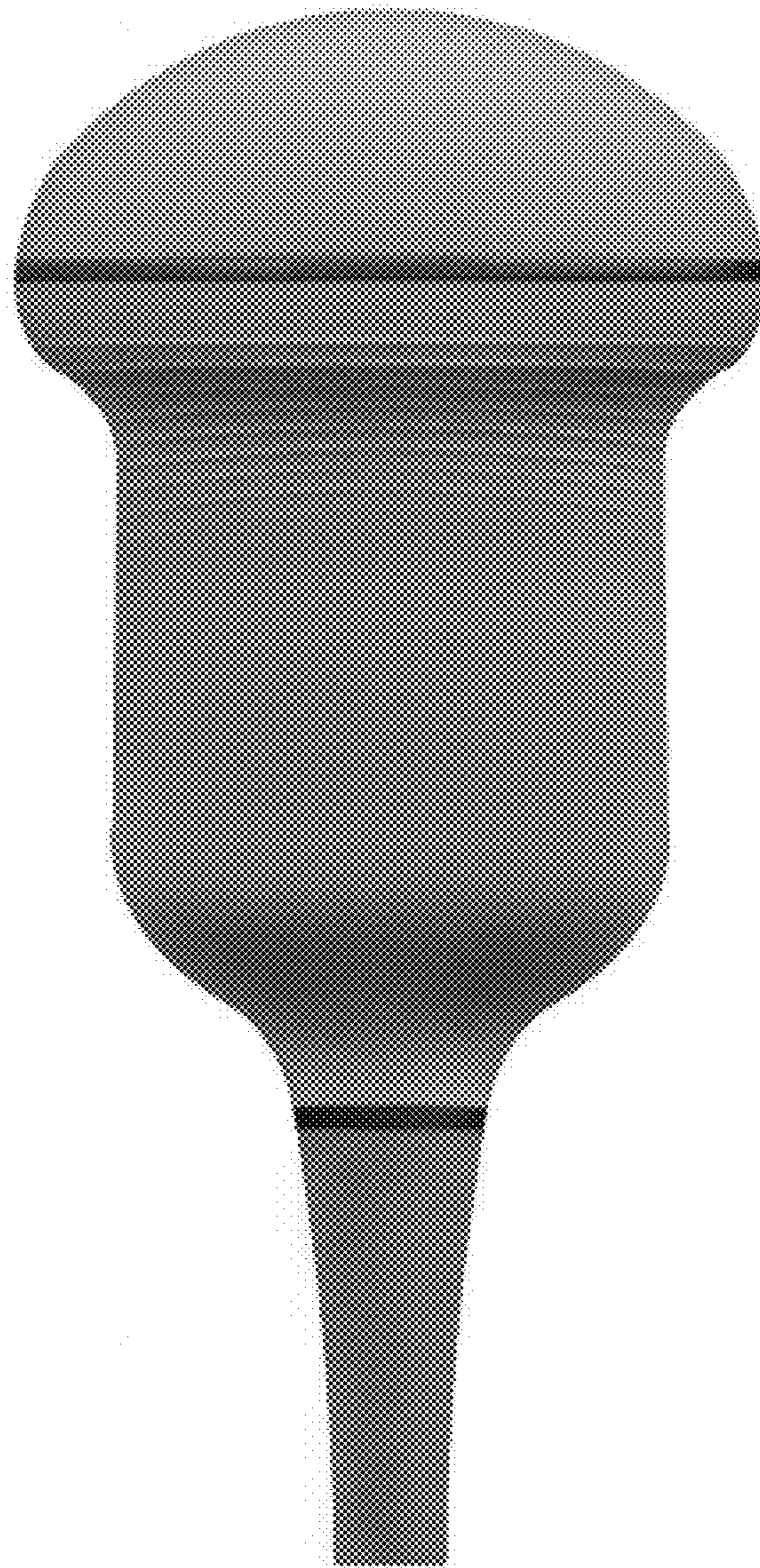


FIG. 4

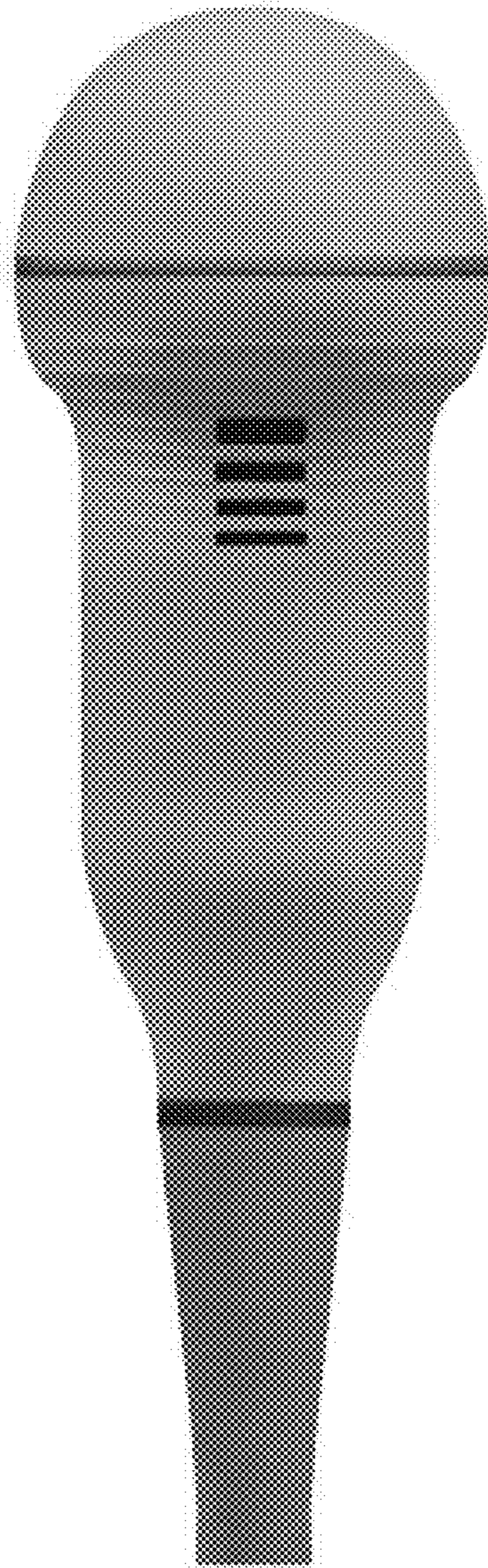


FIG. 5

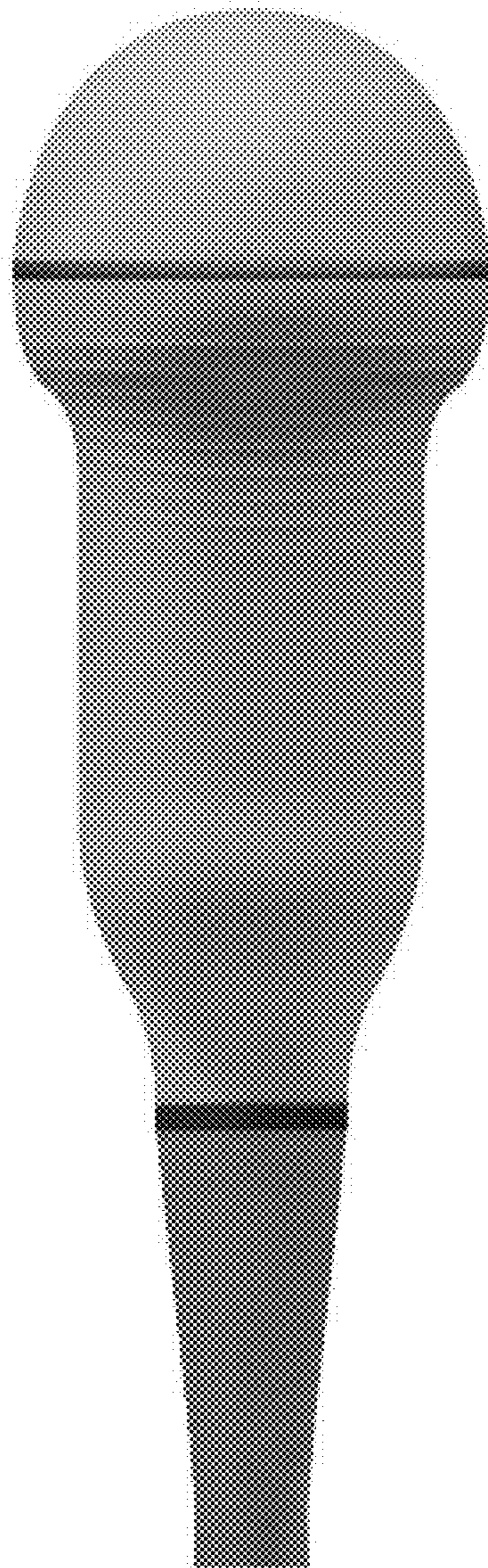


FIG. 6

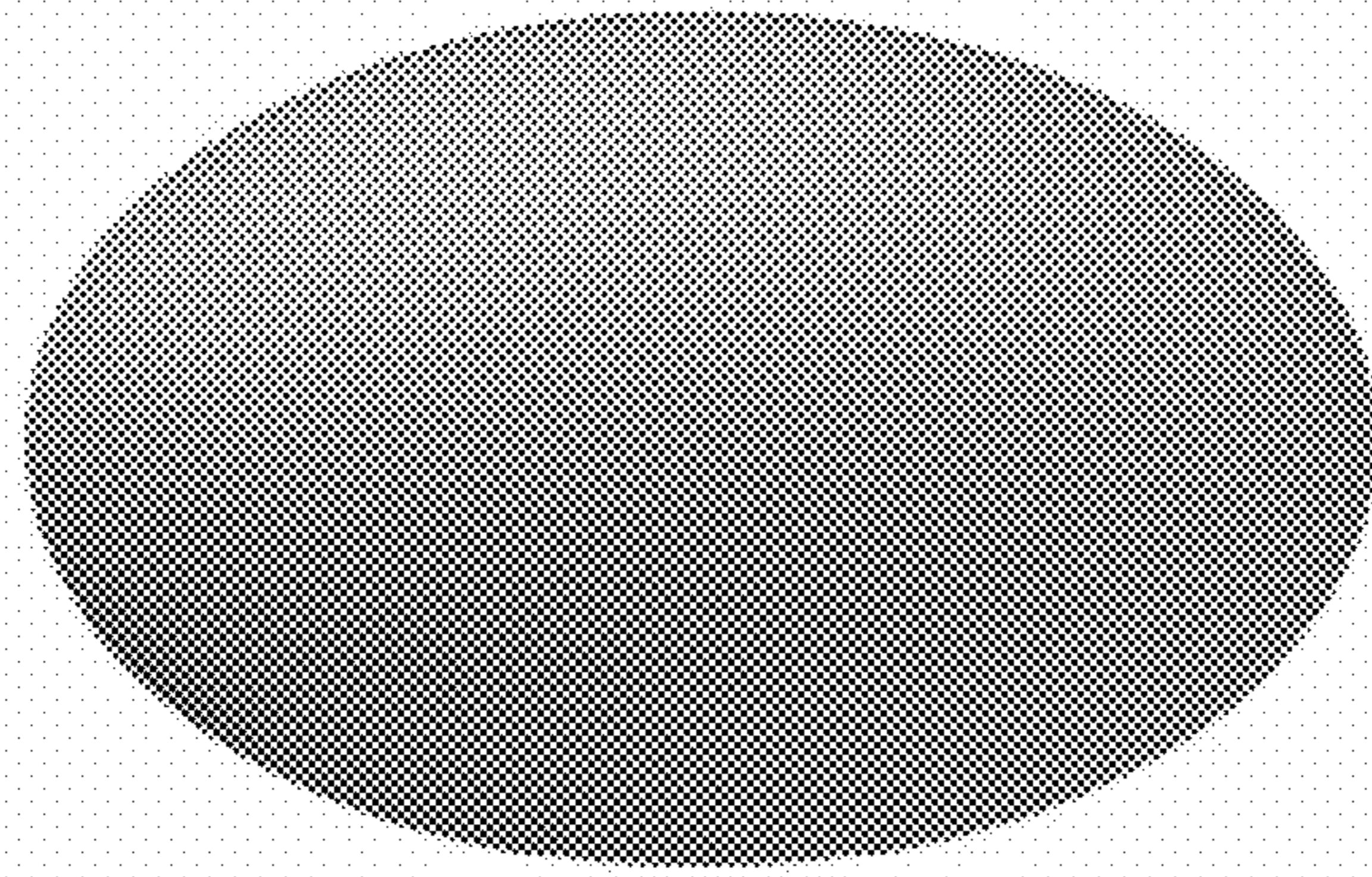


FIG. 7

