



US00D703817S

(12) **United States Design Patent**
Sung et al.

(10) **Patent No.:** **US D703,817 S**

(45) **Date of Patent:** **** Apr. 29, 2014**

(54) **MEDICAL DEVICE ARM**

(71) Applicants: **Goo M. Sung**, Beaverton, OR (US);
Matt C. Jones, Portland, OR (US);
Arthur Y. Wu, Tigard, OR (US); **Ezra**
R. Perkins, Portland, OR (US); **Dave D.**
Domreis, Portland, OR (US)

(72) Inventors: **Goo M. Sung**, Beaverton, OR (US);
Matt C. Jones, Portland, OR (US);
Arthur Y. Wu, Tigard, OR (US); **Ezra**
R. Perkins, Portland, OR (US); **Dave D.**
Domreis, Portland, OR (US)

(**) Term: **14 Years**

(21) Appl. No.: **29/436,510**

(22) Filed: **Nov. 6, 2012**

(51) **LOC (10) Cl.** **24-01**

(52) **U.S. Cl.**
USPC **D24/158**

(58) **Field of Classification Search**
USPC D24/158-161, 185, 186; 378/4, 15, 17,
378/20, 21, 23-27, 62, 68, 146, 195-198,
378/57; 600/410, 421, 422; D14/452;
D8/355, 363; 248/323, 324, 278.1,
248/279.1, 281.11

See application file for complete search history.

(56) **References Cited**

U.S. PATENT DOCUMENTS

D290,500 S * 6/1987 Makas et al. D24/158
D423,534 S * 4/2000 Raab et al. D15/199

D469,182 S * 1/2003 Choi et al. D24/158
D492,997 S * 7/2004 DiStasio D24/158
7,188,999 B2 * 3/2007 Mihara et al. 378/197
D679,016 S * 3/2013 Jarva D24/158
D690,421 S * 9/2013 Charles D24/158

* cited by examiner

Primary Examiner — Anhdao Doan

(74) *Attorney, Agent, or Firm* — Stoel Rives LLP

(57) **CLAIM**

We claim the ornamental design for a medical device arm, as shown and described.

DESCRIPTION

FIG. 1 is a front elevation view of a medical device arm in an open condition.

FIG. 2 is a rear elevation view of the medical device arm of FIG. 1.

FIG. 3 is a left side elevation view of the medical device arm of FIG. 1 in a closed condition.

FIG. 4 is a top plan view of the medical device of FIG. 3.

FIG. 5 is a bottom plan view of the medical device of FIG. 3.

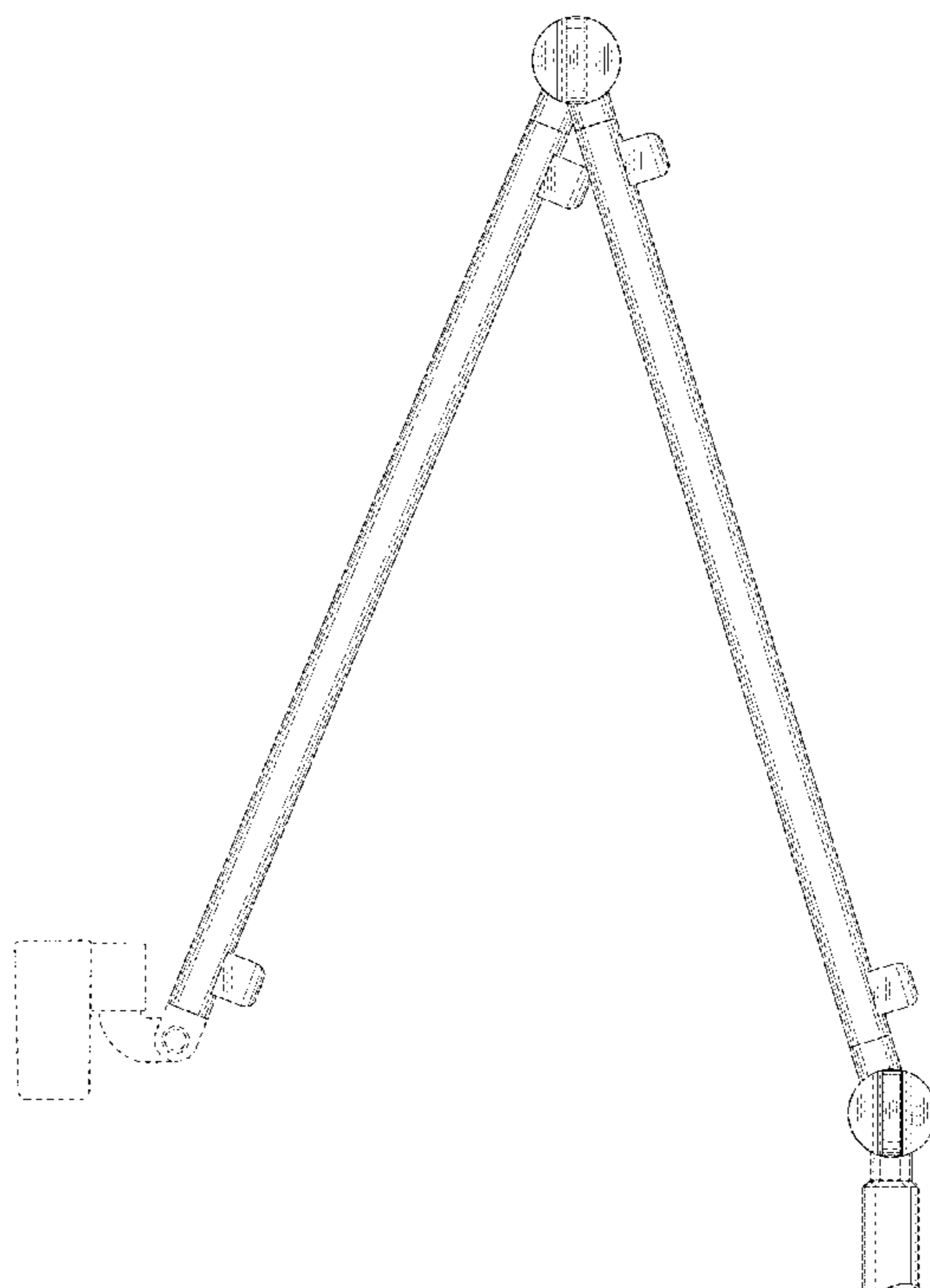
FIG. 6 is a right side elevation view of the medical device arm of FIG. 3.

FIG. 7 is a front elevation view of the medical device arm of FIG. 3; and,

FIG. 8 is a rear elevation view of the medical device arm of FIG. 3.

The dashed lines in FIGS. 1-8 show an attachment mount and receptacle illustrating an environment of use that forms no part of the claimed design.

1 Claim, 4 Drawing Sheets



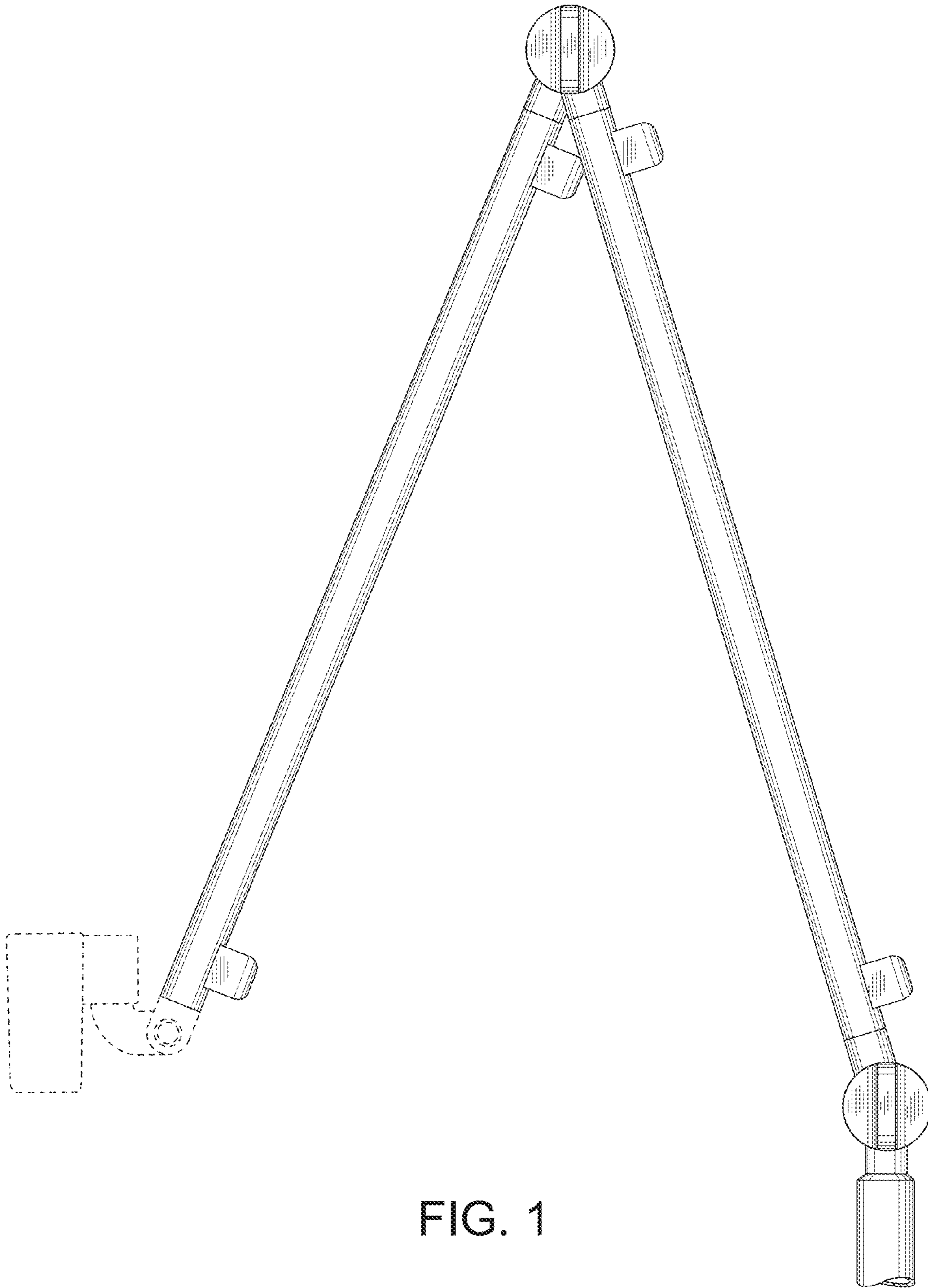


FIG. 1

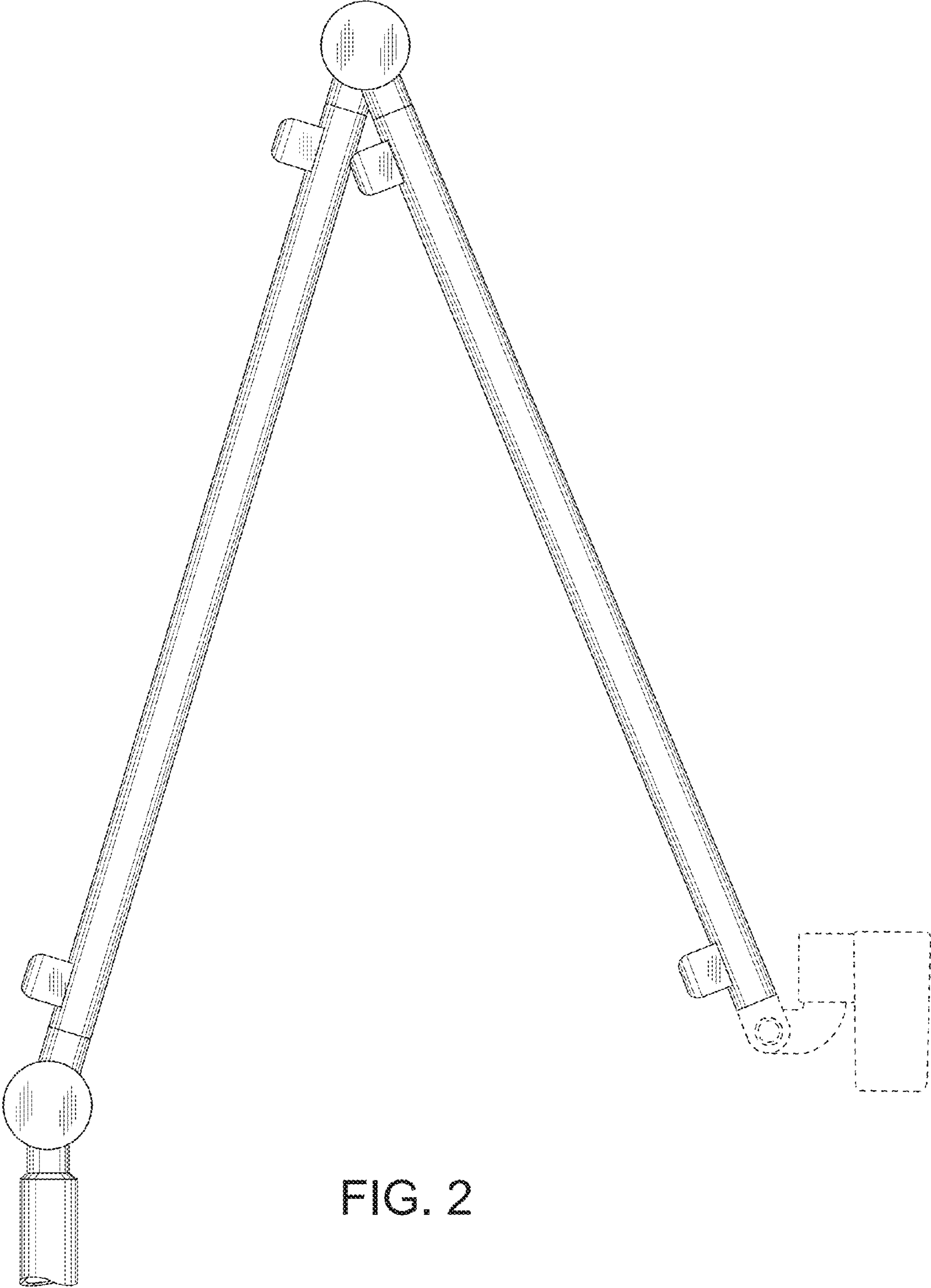


FIG. 2

