



US00D703815S

(12) **United States Design Patent**
Bolia

(10) **Patent No.:** **US D703,815 S**

(45) **Date of Patent:** **** Apr. 29, 2014**

(54) **WIRE GUIDE**

(71) Applicant: **Shamin Bolia**, Leicester (GB)

(72) Inventor: **Shamin Bolia**, Leicester (GB)

(**) Term: **14 Years**

(21) Appl. No.: **29/468,384**

(22) Filed: **Sep. 30, 2013**

(30) **Foreign Application Priority Data**

Apr. 11, 2013 (EP) 002218727-0009

(51) **LOC (10) Cl.** **24-02**

(52) **U.S. Cl.**
USPC **D24/140; D24/133**

(58) **Field of Classification Search**
USPC D24/107, 128, 133, 140, 231, 232;
D8/14; 248/302-304; 600/585;
604/164.13, 264; 606/47, 103, 108
See application file for complete search history.

(56) **References Cited**

U.S. PATENT DOCUMENTS

4,742,979 A * 5/1988 Syversten et al. 248/65
D424,901 S * 5/2000 Landry D8/59

D424,905 S * 5/2000 Sankuer D8/88
D611,601 S * 3/2010 Tamai et al. D24/140
7,715,903 B2 * 5/2010 Hartley et al. 600/433
2007/0114350 A1 * 5/2007 Sorci 248/304
2012/0199714 A1 * 8/2012 Rinaldo 248/304

* cited by examiner

Primary Examiner — Ian Simmons

Assistant Examiner — Richelle G Shelton

(74) *Attorney, Agent, or Firm* — Eckert Seamans Cherin & Mellott, LLC; David C. Jenkins

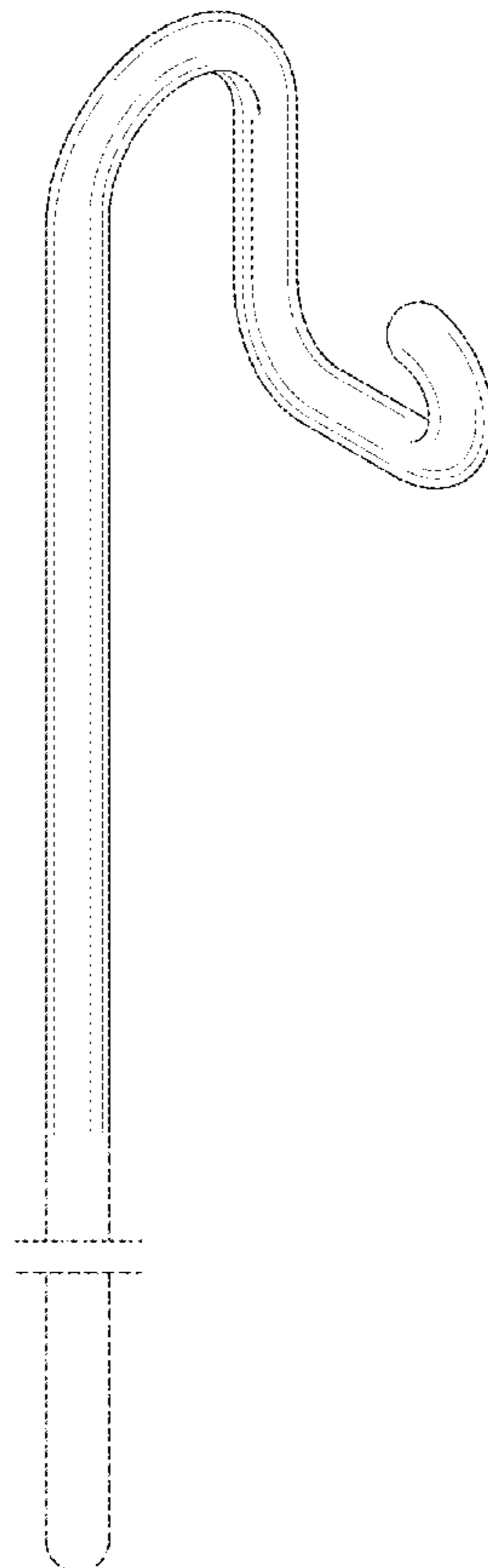
(57) **CLAIM**

The ornamental design for a wire guide, as shown and described.

DESCRIPTION

FIG. 1 is an isometric view of the wire guide; FIG. 2 is a left side view of the wire guide; FIG. 3 is a right side view of the wire guide; FIG. 4 is a front view of the wire guide; FIG. 5 is a back view of the wire guide; FIG. 6 is a top view of the wire guide; and, FIG. 7 is a bottom view of the wire guide. The broken lines in the drawings depict environmental subject matter only and form no part of the claimed design.

1 Claim, 5 Drawing Sheets



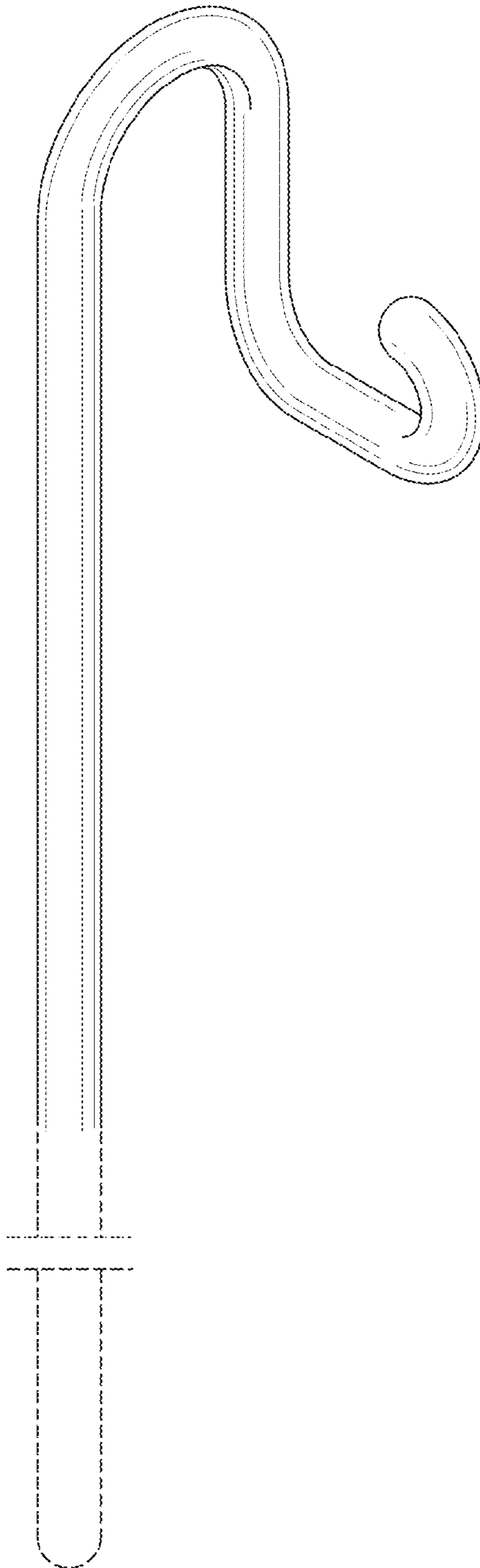


FIG. 1

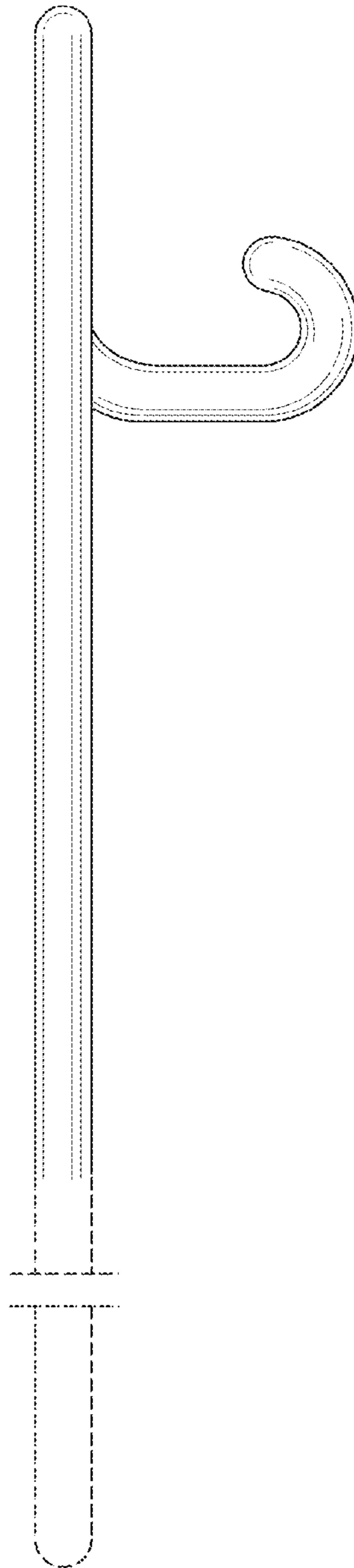


FIG. 2

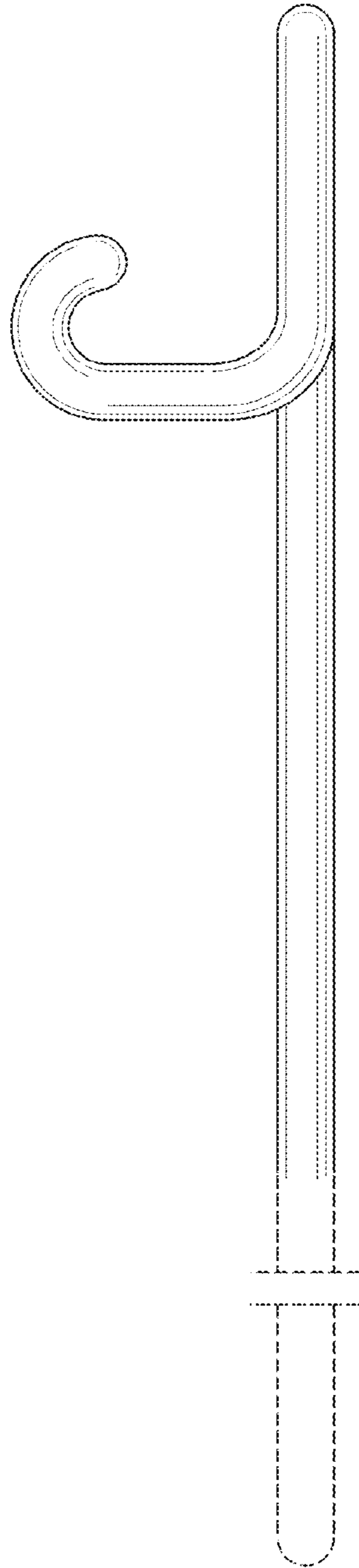


FIG. 3

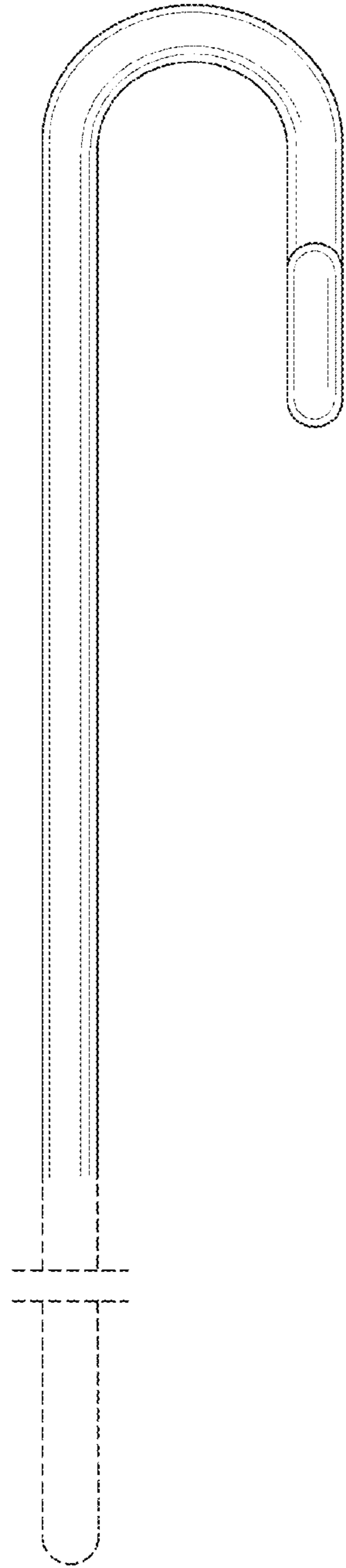


FIG. 4

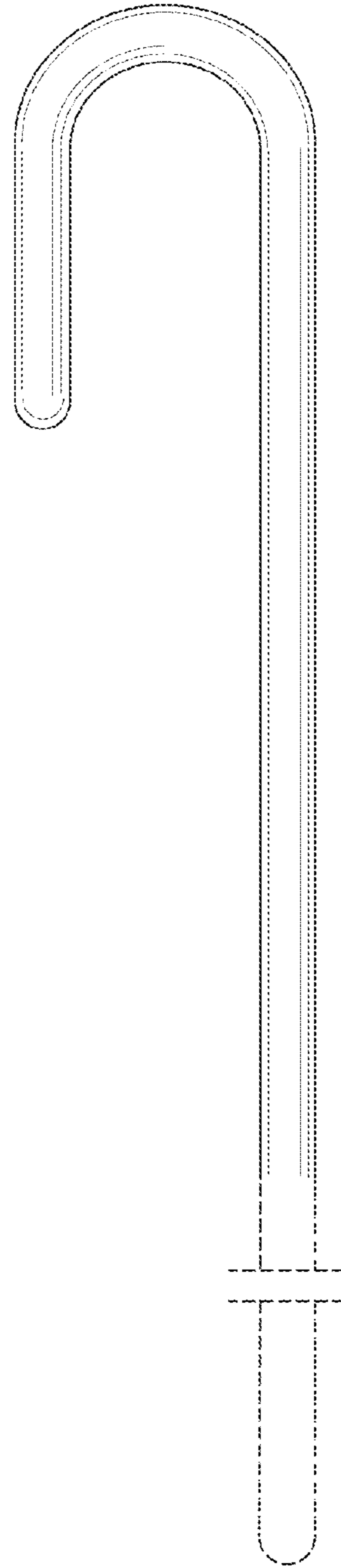


FIG. 5

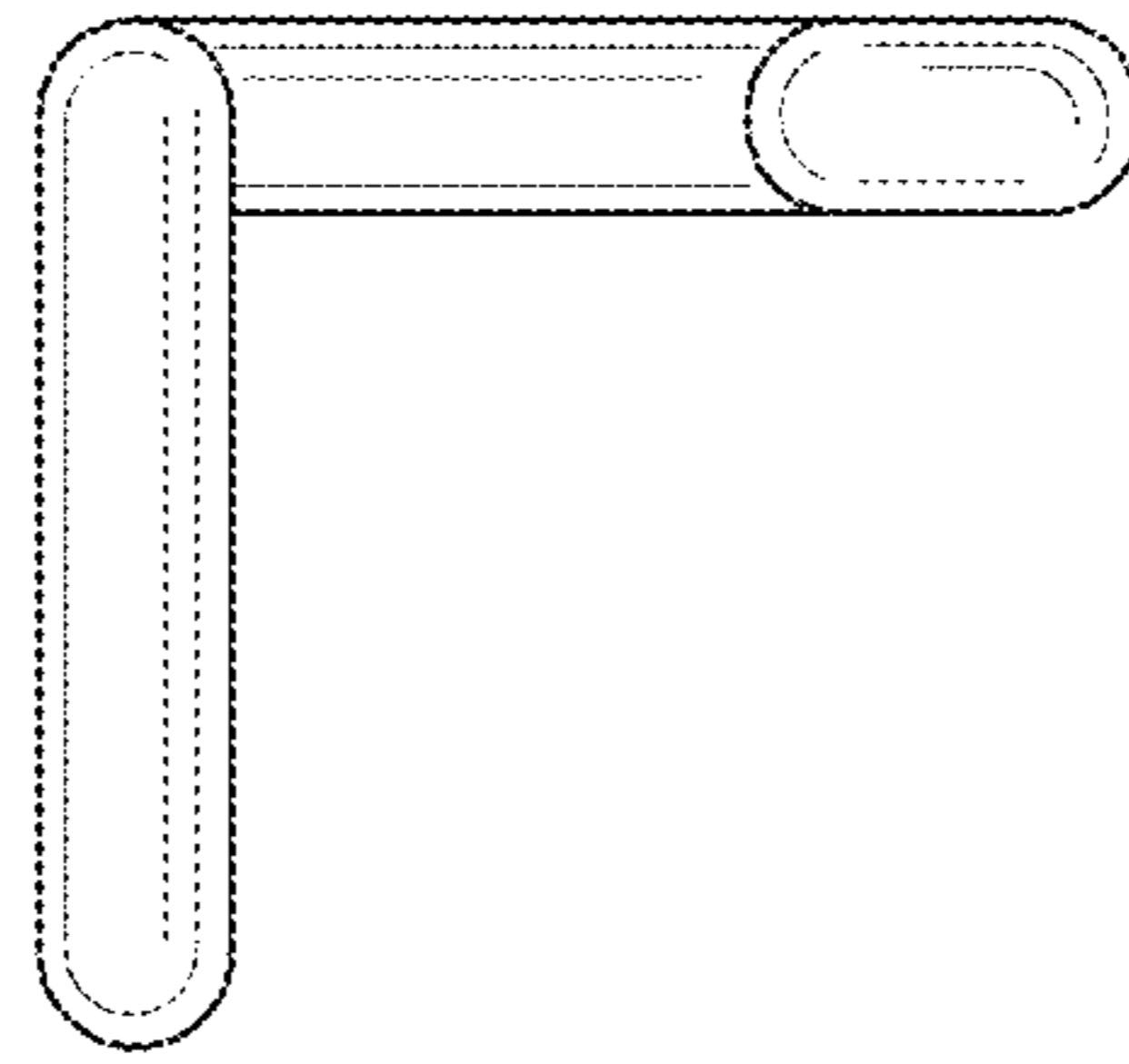


FIG. 6

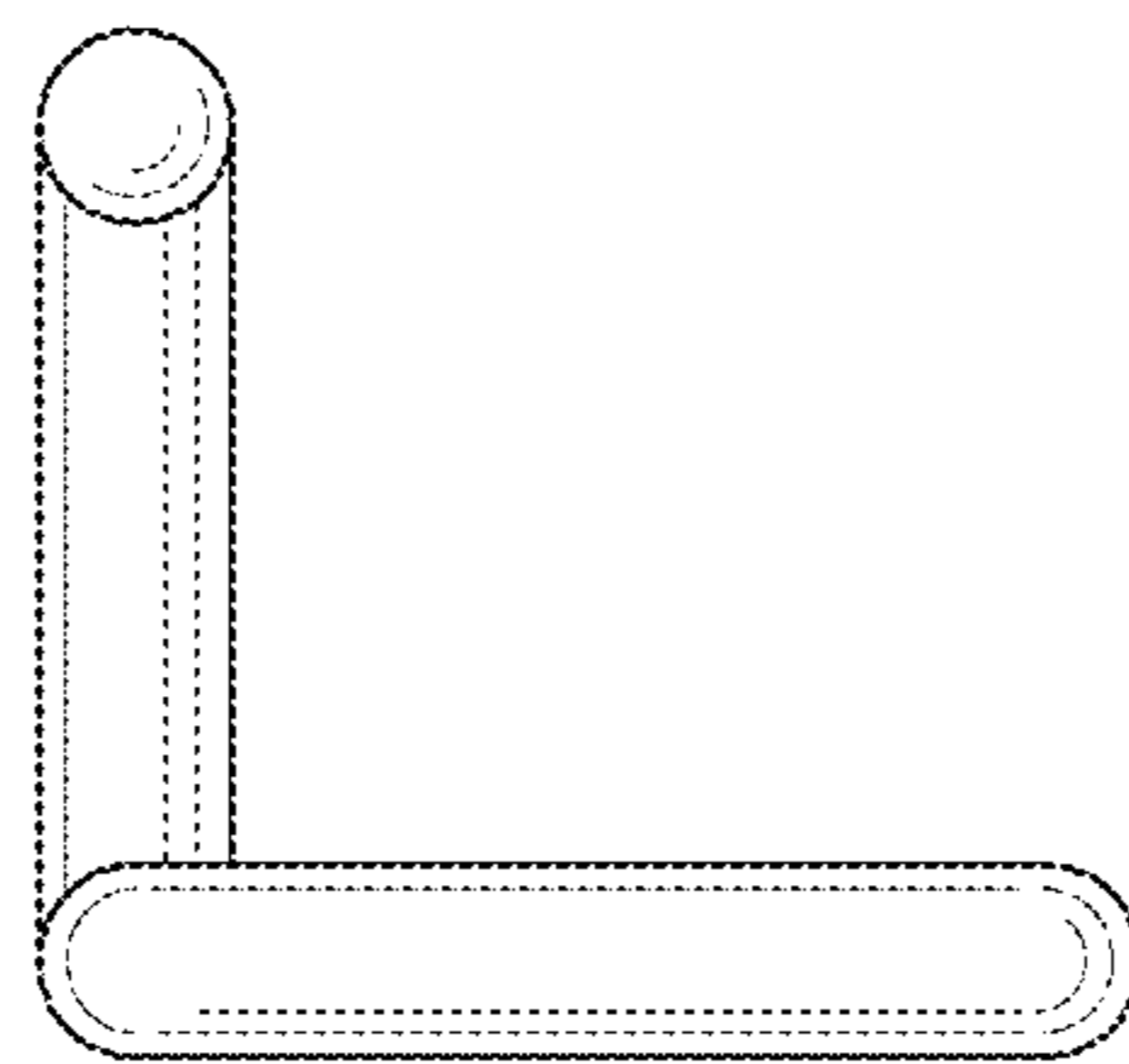


FIG. 7

UNITED STATES PATENT AND TRADEMARK OFFICE
CERTIFICATE OF CORRECTION

PATENT NO. : D703,815 S
APPLICATION NO. : 29/468384
DATED : April 29, 2014
INVENTOR(S) : Shamim Bolia

Page 1 of 1

It is certified that error appears in the above-identified patent and that said Letters Patent is hereby corrected as shown below:

On the Title Page

Item (71) Applicant:, "Shamin Bolia" should read --Shamim Bolia--.

Item (72) Inventor:, "Shamin Bolia" should read --Shamim Bolia--.

Signed and Sealed this
Eighth Day of September, 2015



Michelle K. Lee
Director of the United States Patent and Trademark Office