



US00D703814S

(12) **United States Design Patent**
Bolia

(10) **Patent No.:** **US D703,814 S**

(45) **Date of Patent:** **** Apr. 29, 2014**

(54) **WIRE GUIDE**

(71) Applicant: **Shamim Bolia**, Leicester (GB)

(72) Inventor: **Shamim Bolia**, Leicester (GB)

(**) Term: **14 Years**

(21) Appl. No.: **29/468,381**

(22) Filed: **Sep. 30, 2013**

(30) **Foreign Application Priority Data**

Apr. 11, 2013 (EP) 002218727

(51) **LOC (10) Cl.** **24-02**

(52) **U.S. Cl.**
USPC **D24/140; D24/133**

(58) **Field of Classification Search**
USPC D24/107, 128, 133, 140, 231, 232;
D8/14; 248/302-304; 600/585;
604/164.13, 264; 606/47, 103, 108
See application file for complete search history.

(56) **References Cited**

U.S. PATENT DOCUMENTS

D258,342 S * 2/1981 Boulis et al. D8/14
5,586,413 A * 12/1996 Sharon 47/67

5,897,537 A * 4/1999 Berg et al. 604/525
D424,901 S * 5/2000 Landry D8/59
D424,905 S * 5/2000 Sankuer D8/88
6,074,361 A * 6/2000 Jacobs 604/95.01
D611,601 S * 3/2010 Tamai et al. D24/140
7,715,903 B2 * 5/2010 Hartley et al. 600/433
8,122,675 B2 * 2/2012 Ripley et al. 52/687
2007/0252061 A1 * 11/2007 Feetham et al. 248/302

* cited by examiner

Primary Examiner — Ian Simmons

Assistant Examiner — Richelle G Shelton

(74) *Attorney, Agent, or Firm* — Eckert Seamans Cherin & Mellott, LLC; David C. Jenkins

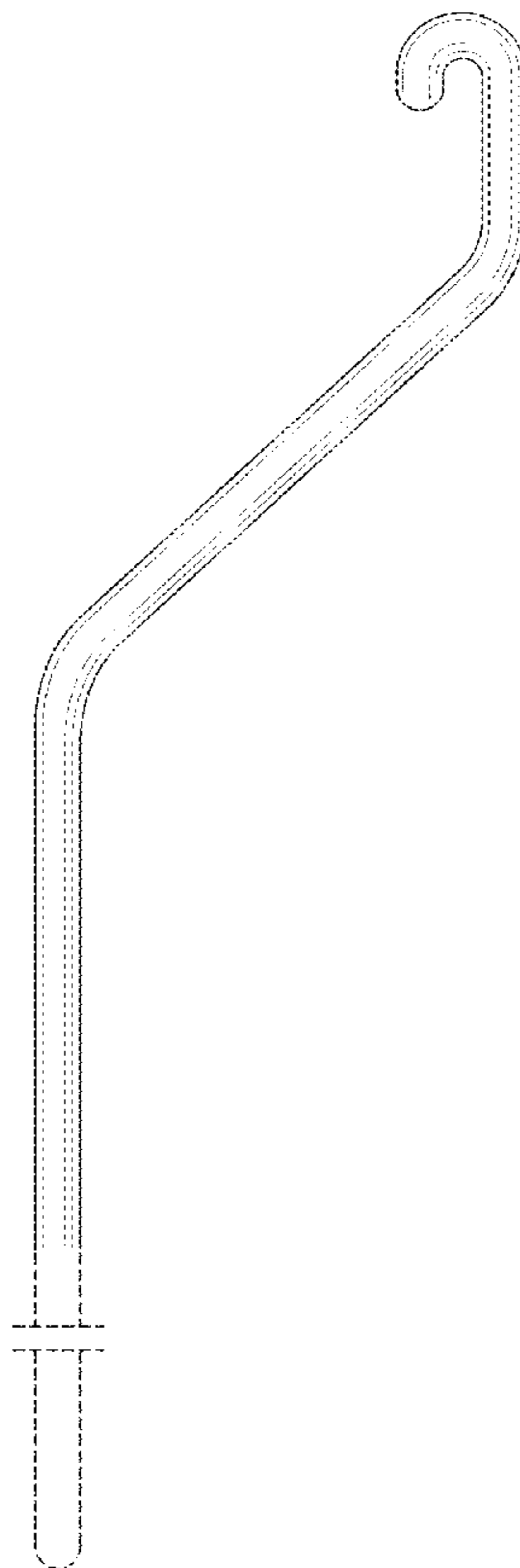
(57) **CLAIM**

The ornamental design for a wire guide, as shown and described.

DESCRIPTION

FIG. 1 is an isometric view of the wire guide;
FIG. 2 is a right side view of the wire guide;
FIG. 3 is a left side view of the wire guide;
FIG. 4 is a front view of the wire guide;
FIG. 5 is a back view of the wire guide;
FIG. 6 is a top view of the wire guide; and,
FIG. 7 is a bottom view of the wire guide.
The broken lines in the drawings depict environmental subject matter only and form no part of the claimed design.

1 Claim, 5 Drawing Sheets



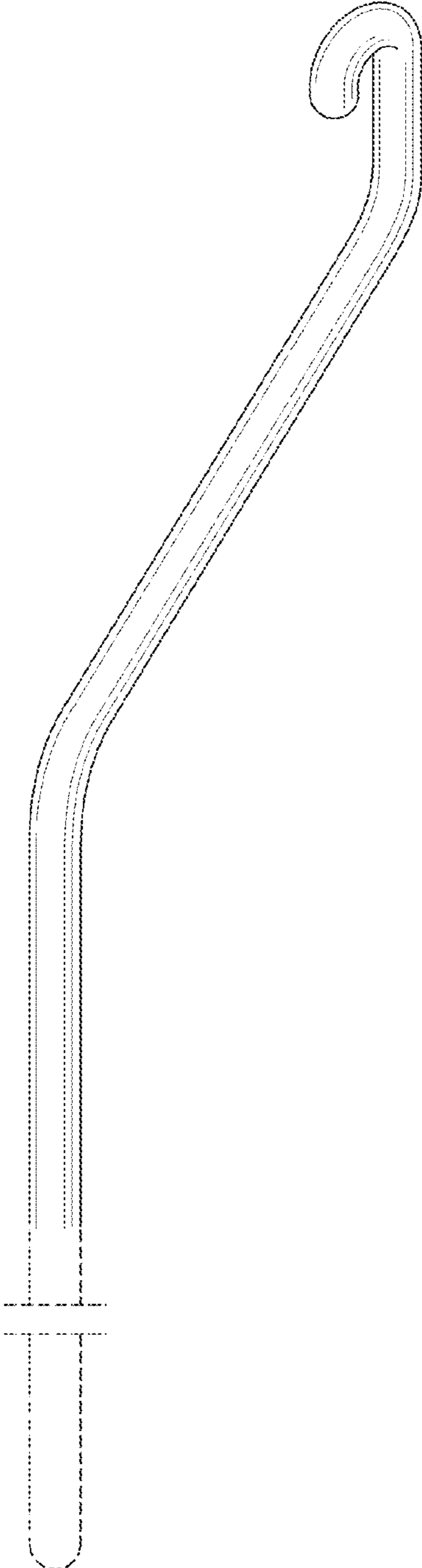


FIG. 1

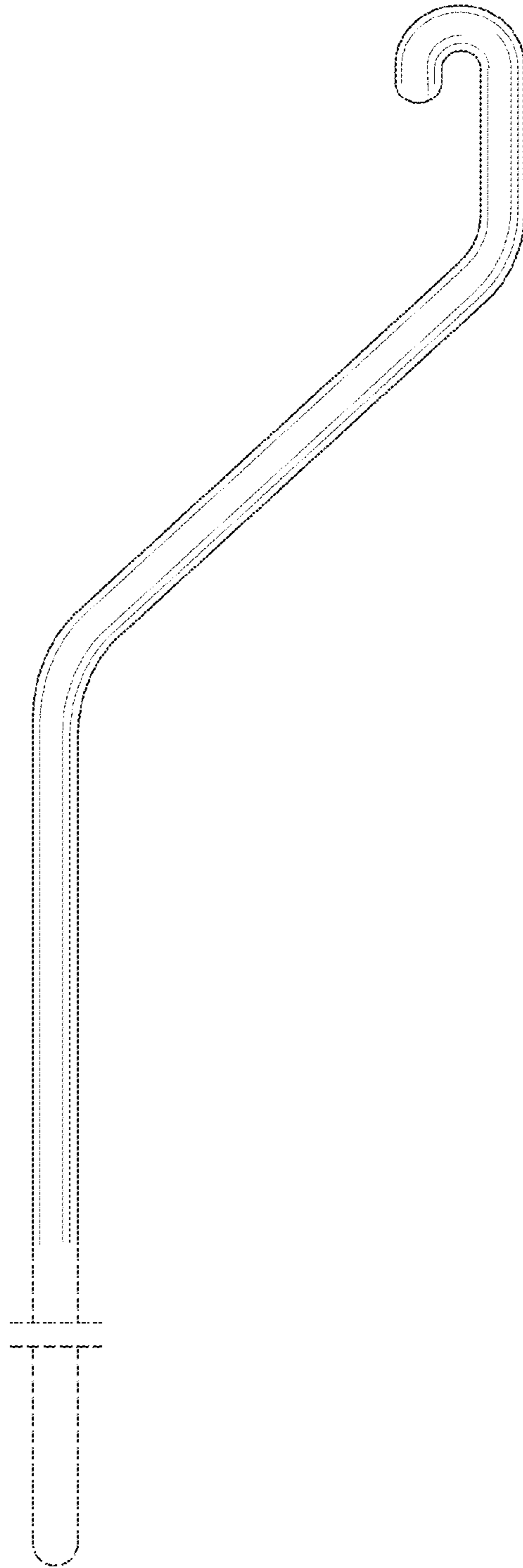


FIG. 2

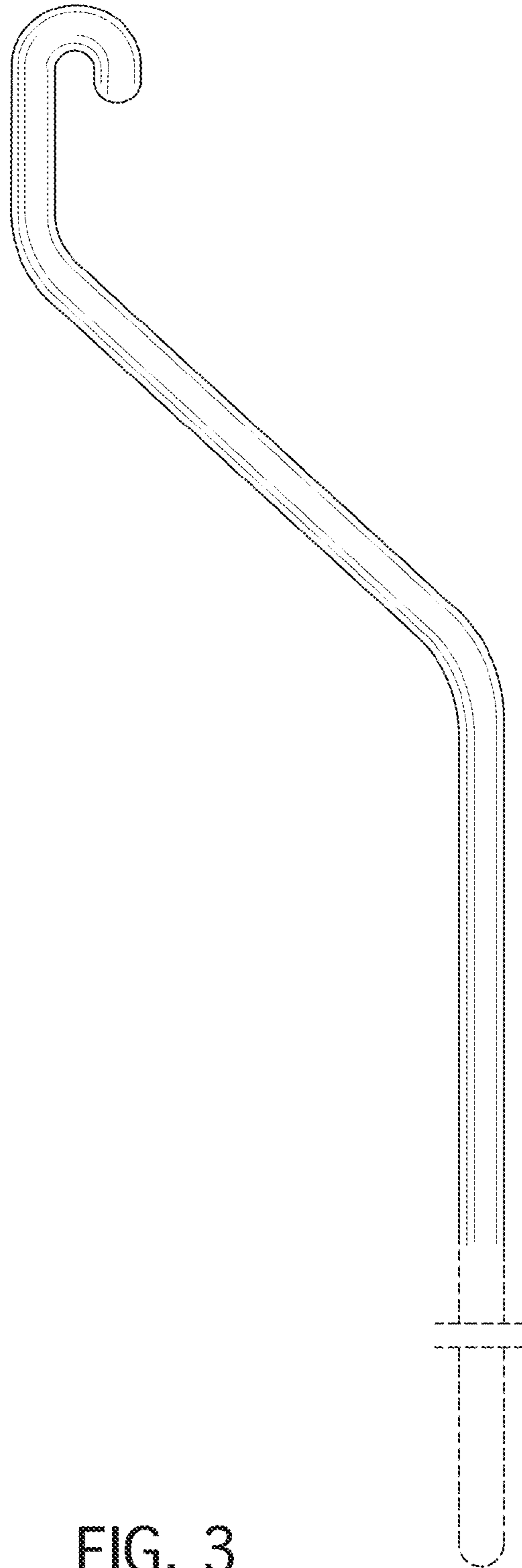


FIG. 3

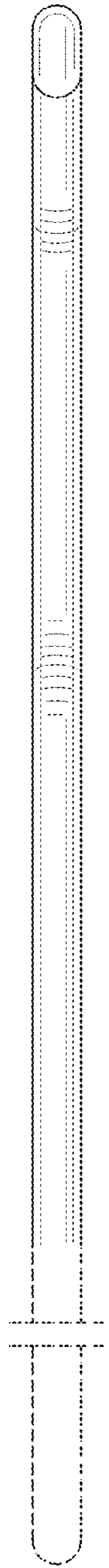


FIG. 4

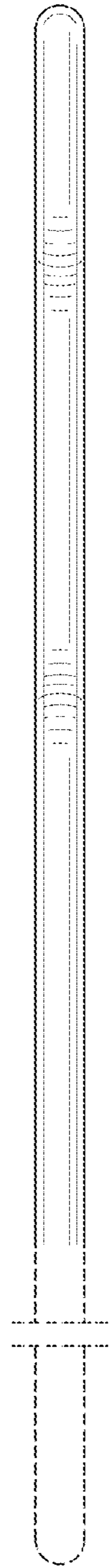


FIG. 5



FIG. 6

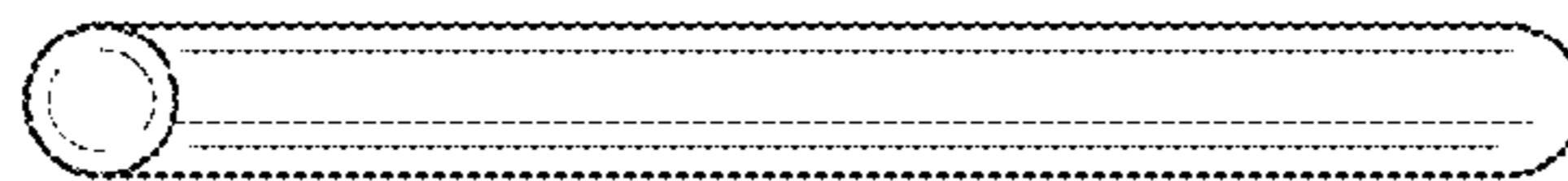


FIG. 7