



US00D703812S

(12) **United States Design Patent**
Cederschiöld et al.

(10) **Patent No.:** **US D703,812 S**
(45) **Date of Patent:** **** Apr. 29, 2014**

(54) **COUPLING DEVICE HAVING PIERCING MEMBER**

(75) Inventors: **Alexander Cederschiöld**, Göteborg (SE); **Tobias Rosenquist**, Källered (SE)

(73) Assignee: **Carmel Pharma AB**, Gothenburg (SE)

(**) Term: **14 Years**

(21) Appl. No.: **29/398,998**

(22) Filed: **Aug. 8, 2011**

(30) **Foreign Application Priority Data**

Feb. 8, 2011 (EP) 001818303-0001

(51) **LOC (10) CL.** **24-02**

(52) **U.S. CL.**
USPC **D24/129**

(58) **Field of Classification Search**
USPC D24/127-131, 110-110.5, 112-114, D24/133, 186, 147; 606/181, 185; 604/408, 604/414, 232, 187, 158, 164.08, 192, 263, 604/163, 181, 184, 198, 227, 80, 191; 600/101, 139, 143; 128/200.24, 128/207.14, 207.15; D8/396; 137/118.04
See application file for complete search history.

(56) **References Cited**

U.S. PATENT DOCUMENTS

3,822,700	A *	7/1974	Pennington	604/414
3,938,520	A *	2/1976	Scislowicz et al.	604/414
3,951,148	A *	4/1976	Herb	604/408
4,475,914	A *	10/1984	Portnoff	604/414
6,409,708	B1 *	6/2002	Wessman	604/414
D468,015	S *	12/2002	Horppu	D24/129
7,744,581	B2 *	6/2010	Wallen et al.	604/414

7,879,018	B2 *	2/2011	Zinger et al.	604/414
D635,254	S *	3/2011	Ellis et al.	D24/129
8,167,863	B2 *	5/2012	Yow	604/414
8,167,864	B2 *	5/2012	Browne	604/414
8,231,596	B2 *	7/2012	Okiyama	604/408
D666,713	S *	9/2012	Waite et al.	D24/133

* cited by examiner

Primary Examiner — David Muller

(74) *Attorney, Agent, or Firm* — Servilia Whitney LLC

(57) **CLAIM**

The design is for a coupling device having piercing member, as shown and described.

DESCRIPTION

FIG. 1 is a perspective view of a coupling device having piercing member, in accordance with a first depiction.

FIG. 2 is a front view of the coupling device having piercing member of FIG. 1.

FIG. 3 is a back view of the coupling device having piercing member of FIG. 1.

FIG. 4 is a left side view of the coupling device having piercing member of FIG. 1.

FIG. 5 is a right side view of the coupling device having piercing member of FIG. 1.

FIG. 6 is a top view of the coupling device having piercing member of FIG. 1.

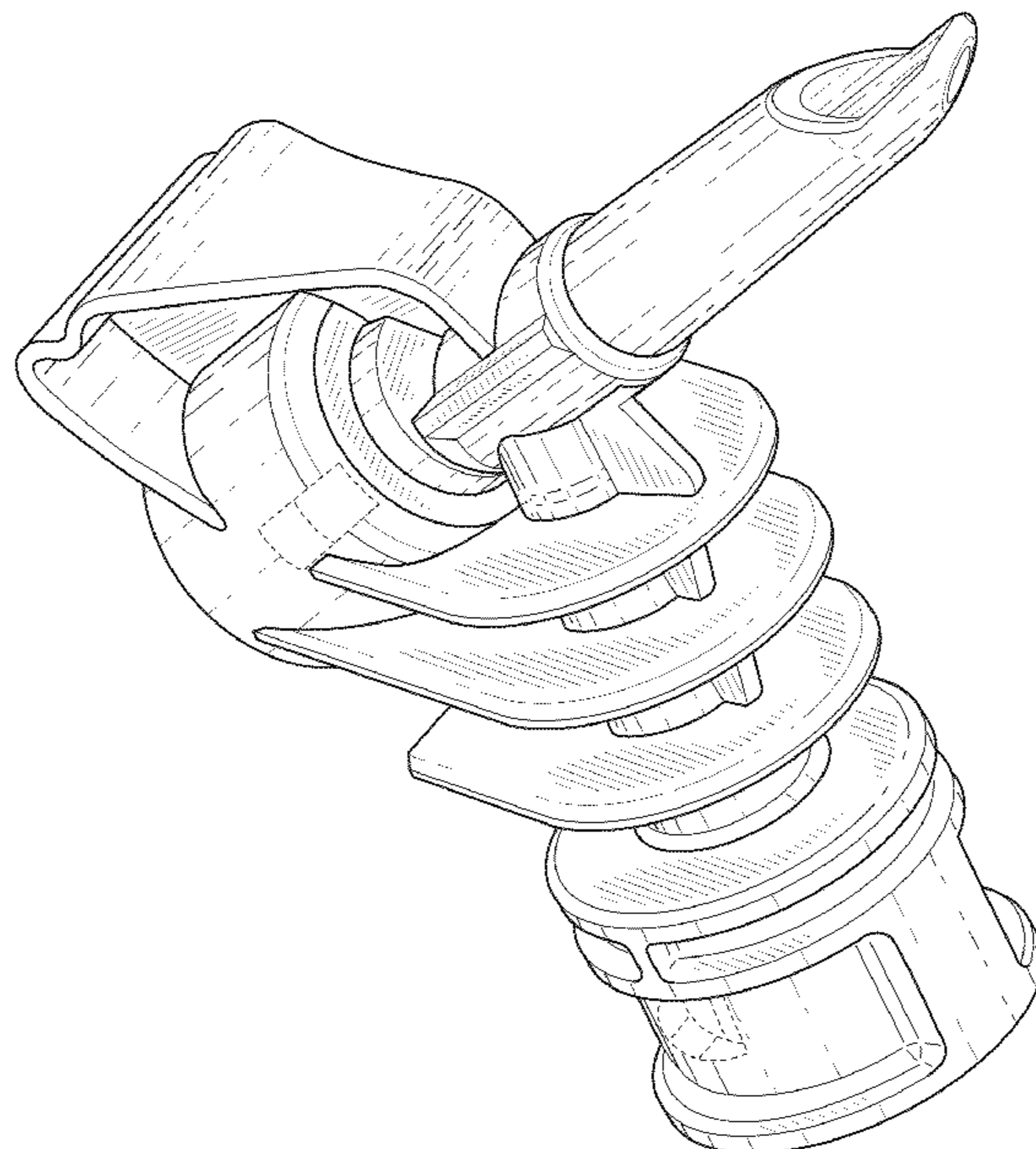
FIG. 7 is a bottom view of the coupling device having piercing member of FIG. 1.

FIG. 8 is a close up view of a portion of the coupling device having piercing member of FIG. 1; and,

FIG. 9 is a close up view of a portion of the coupling device having piercing member of FIG. 1.

The broken line showing of parts of the drawings is included for the purpose of illustrating use and environment and forms no part of the claimed design.

1 Claim, 9 Drawing Sheets



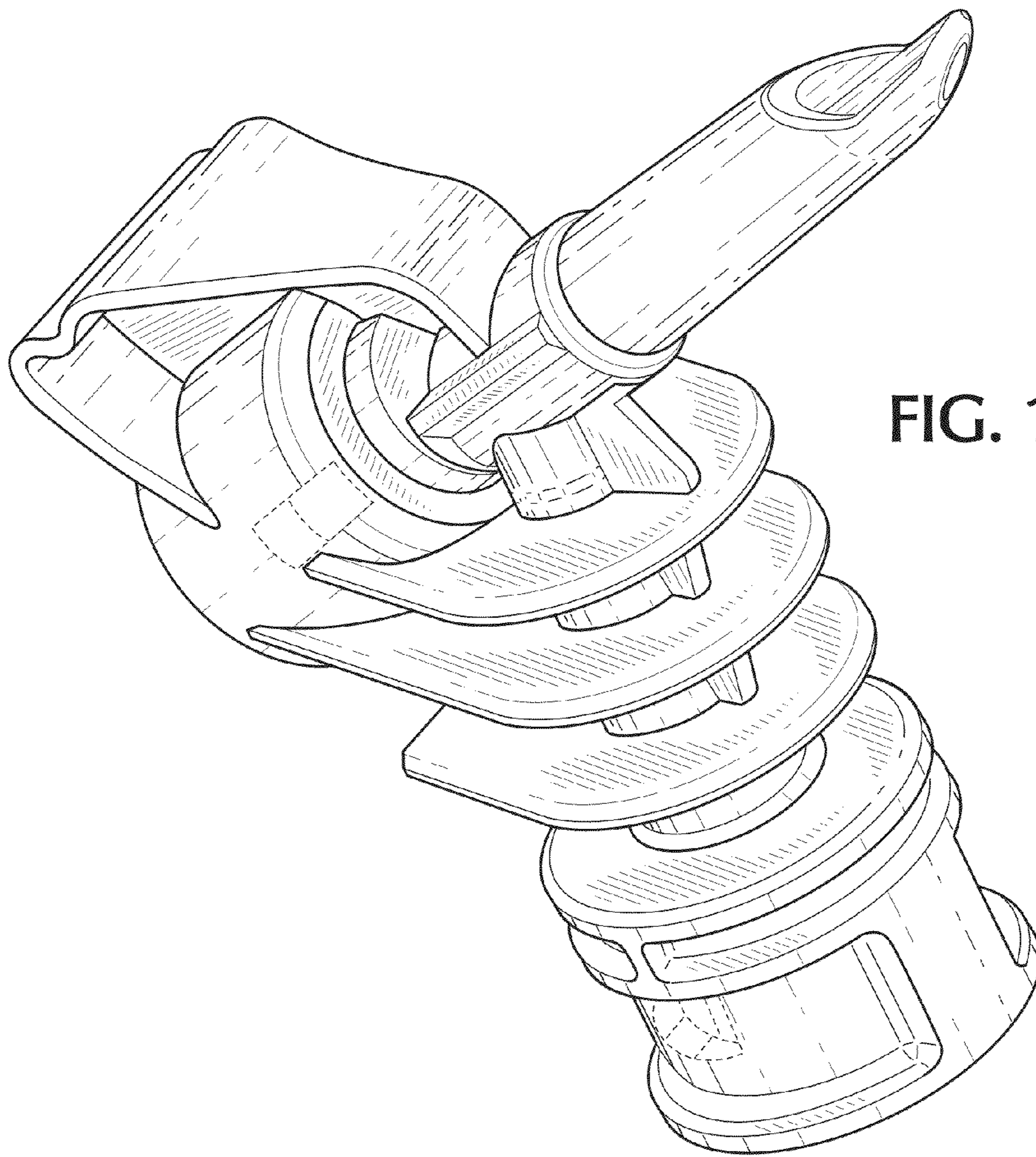


FIG. 1

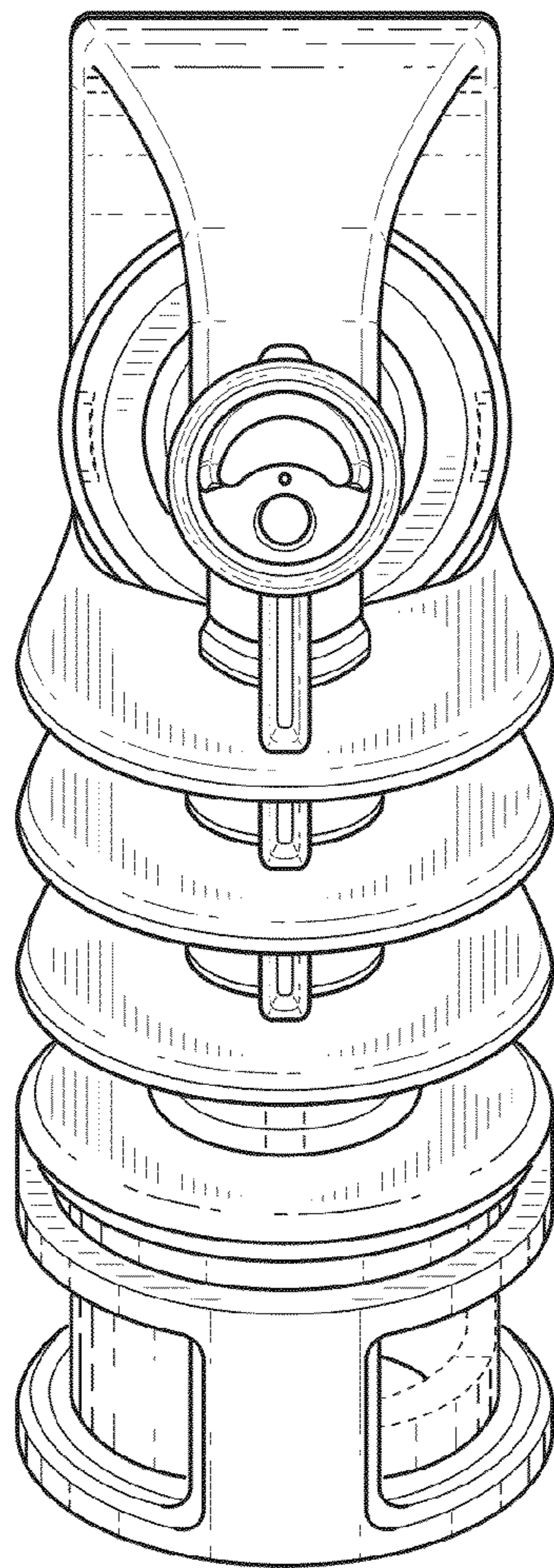


FIG. 2

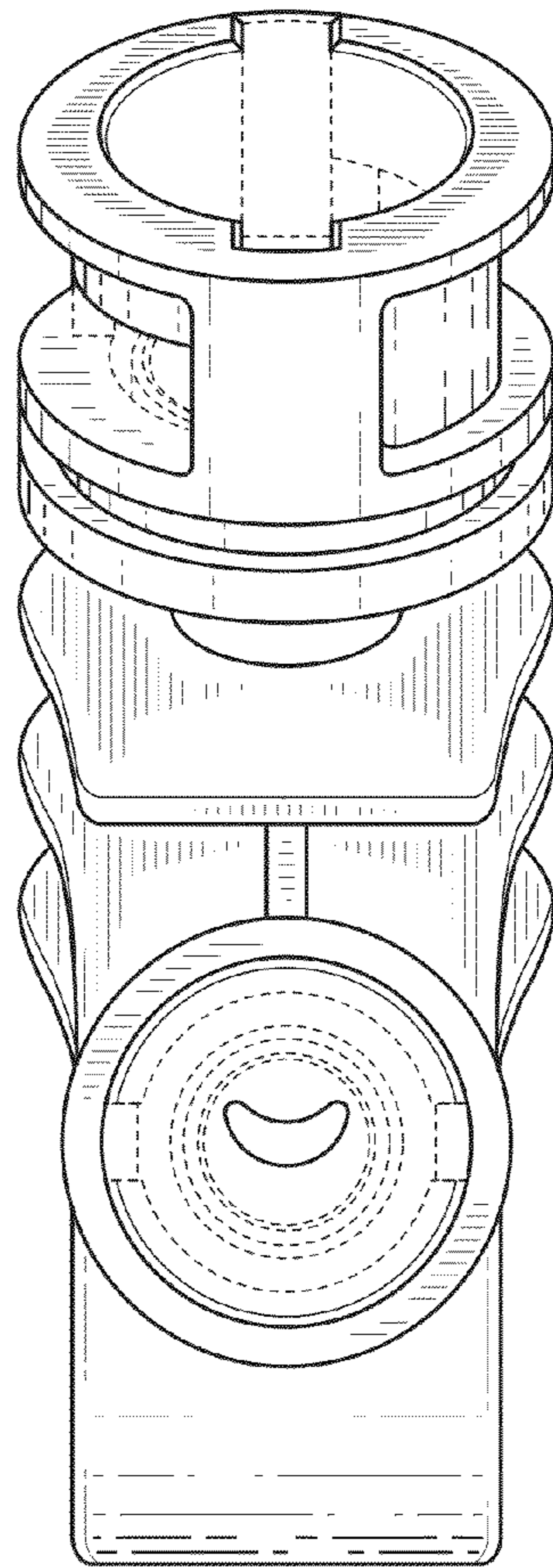


FIG. 3

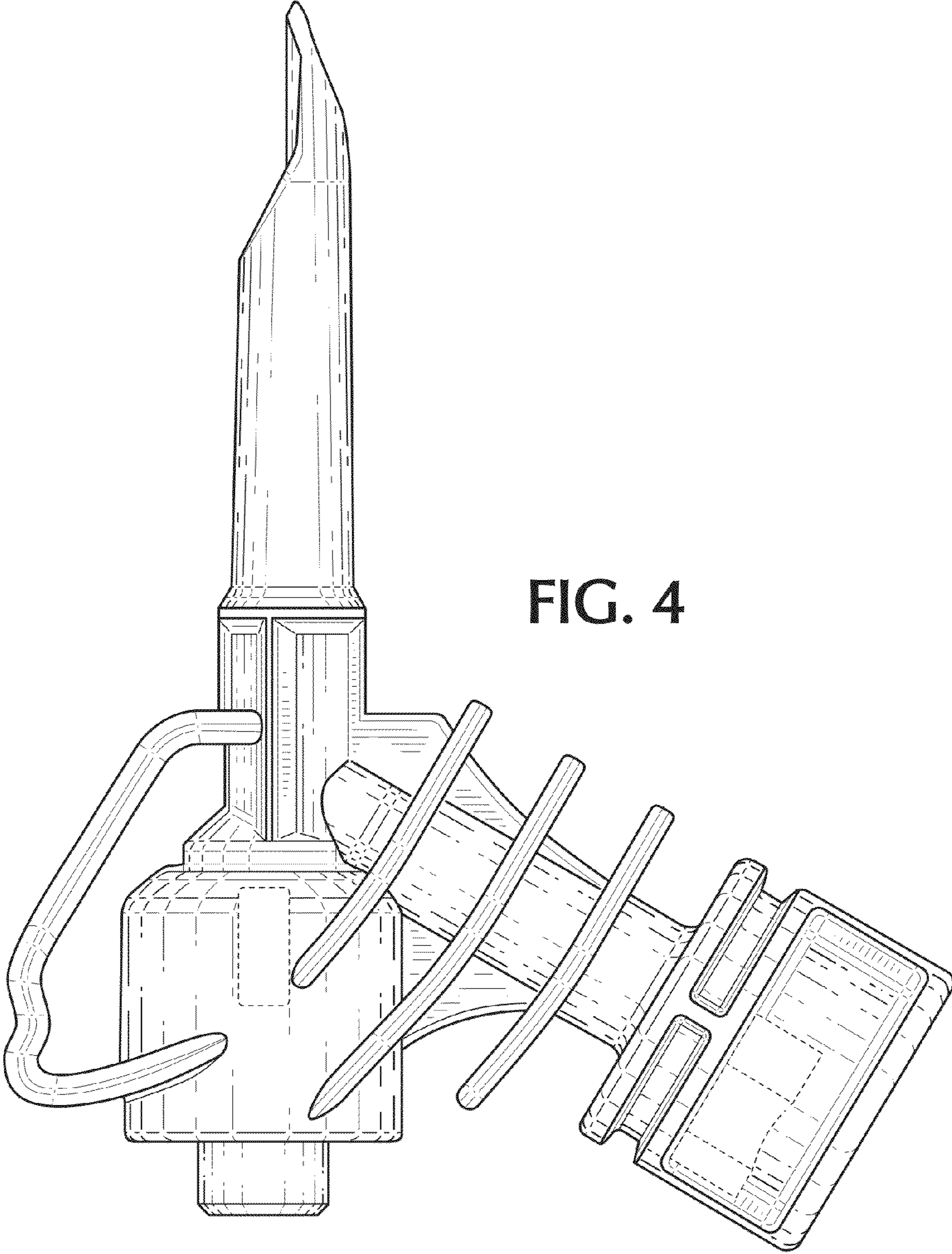
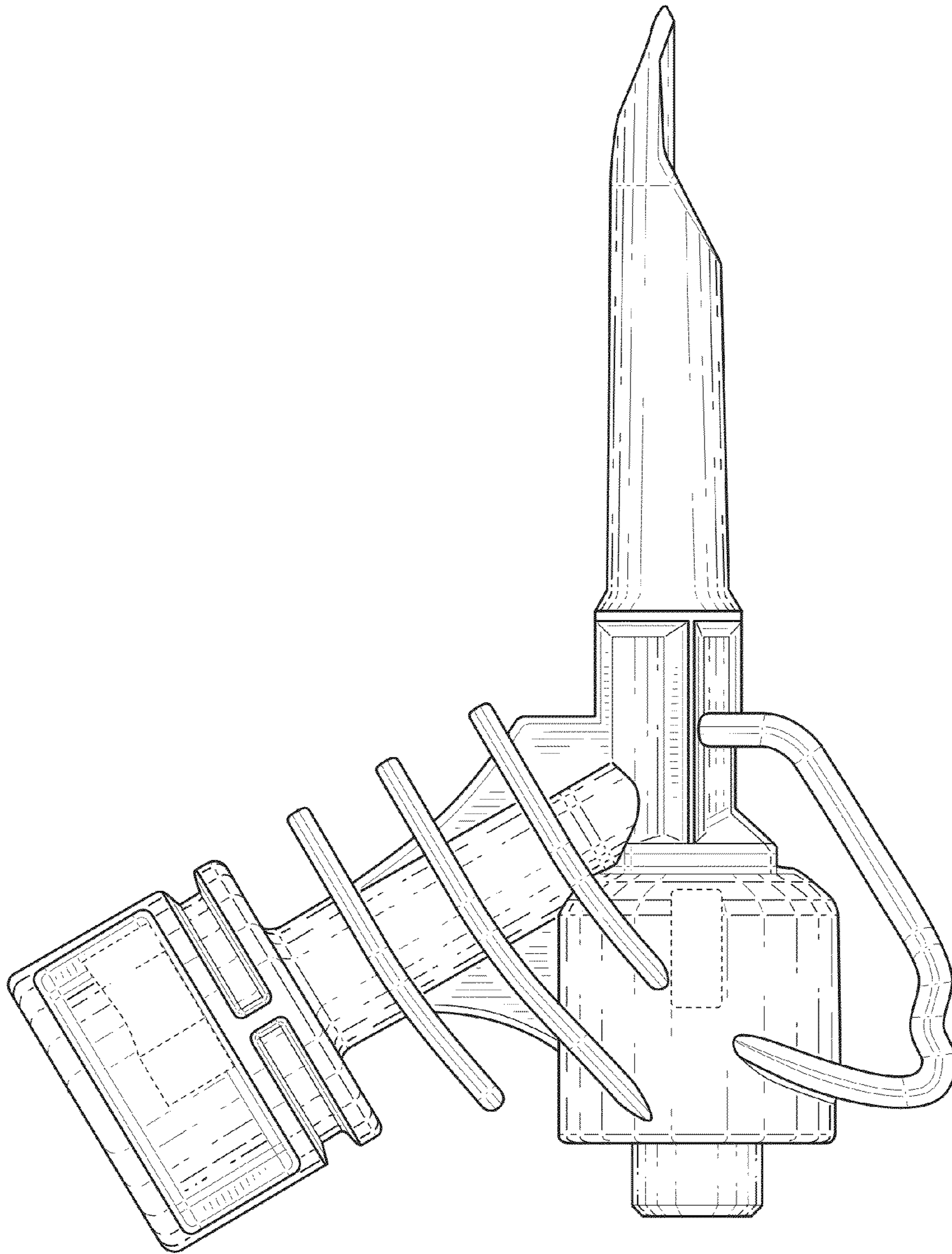


FIG. 4

FIG. 5



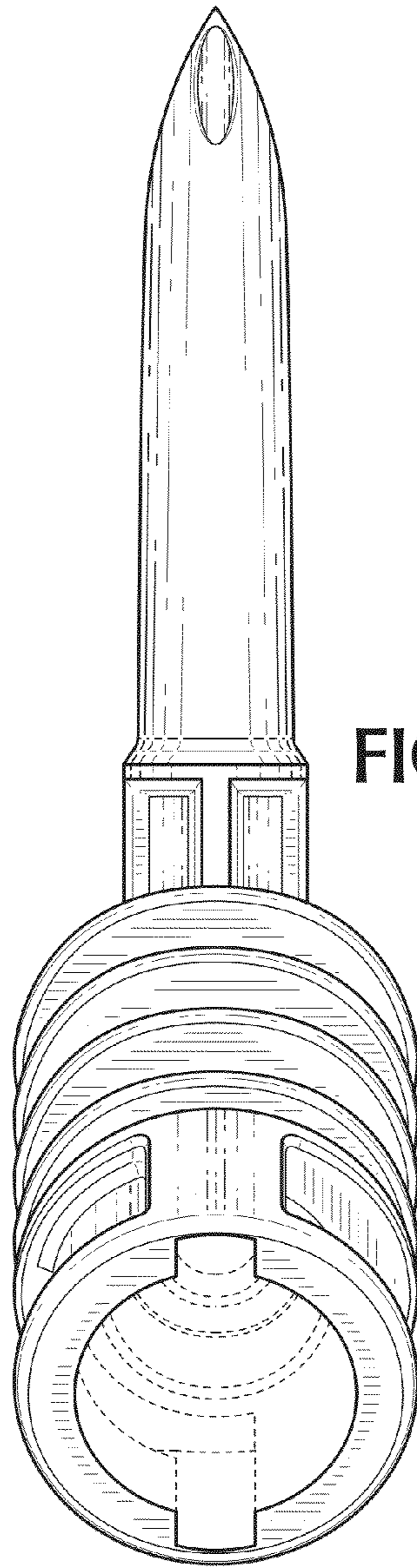
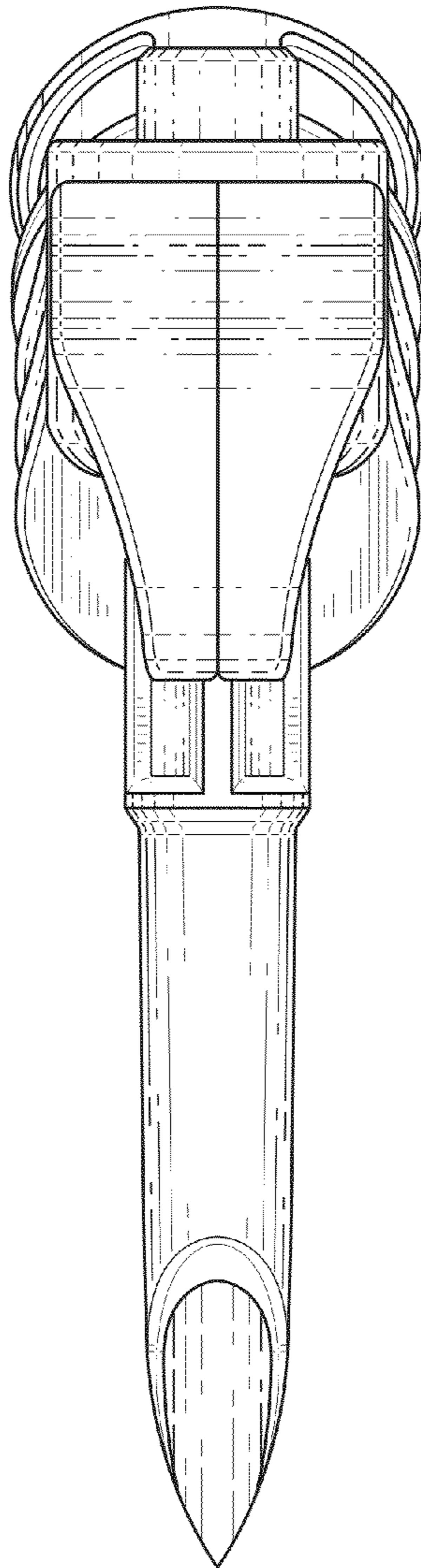


FIG. 6

FIG. 7



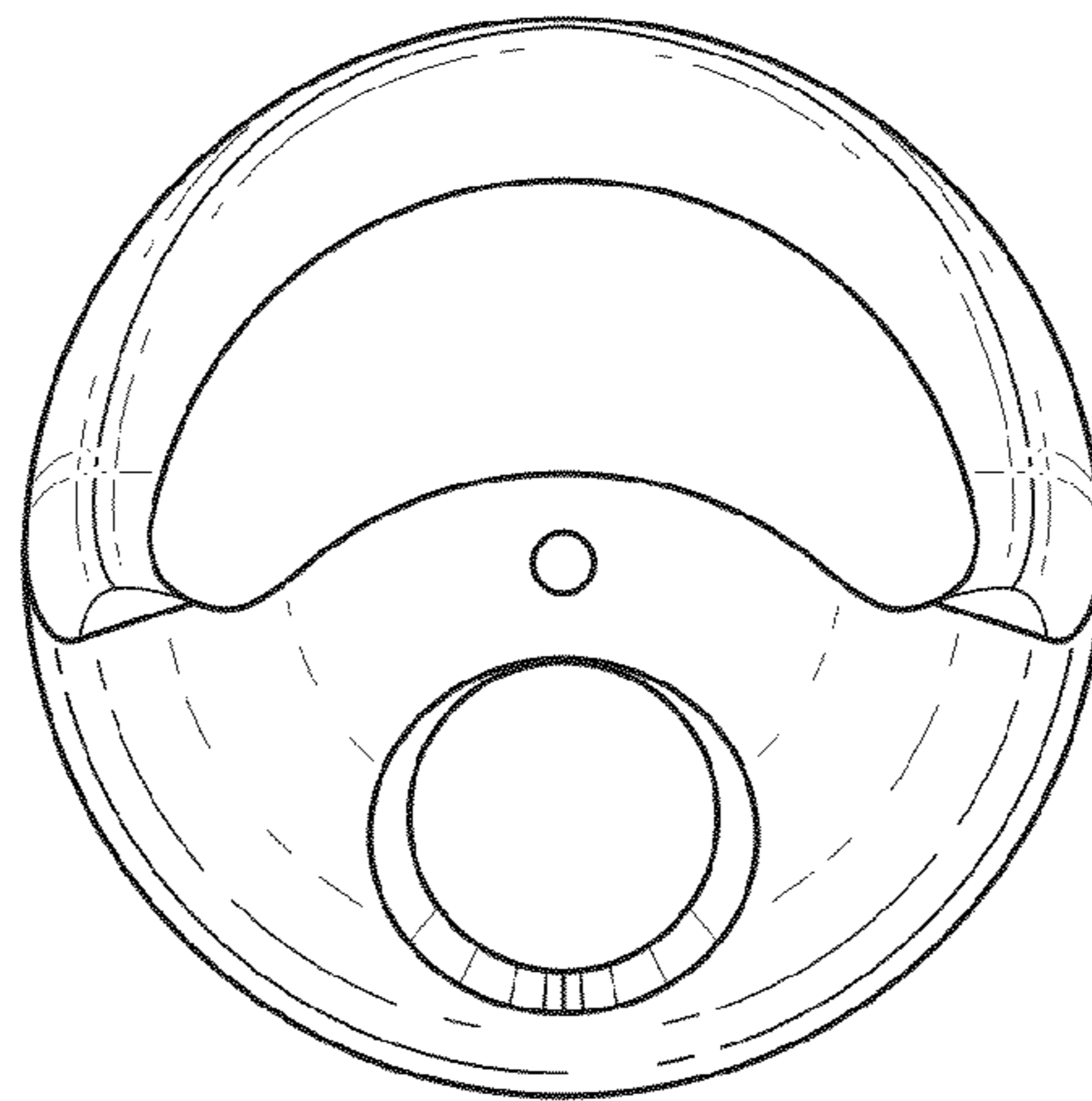


FIG. 8

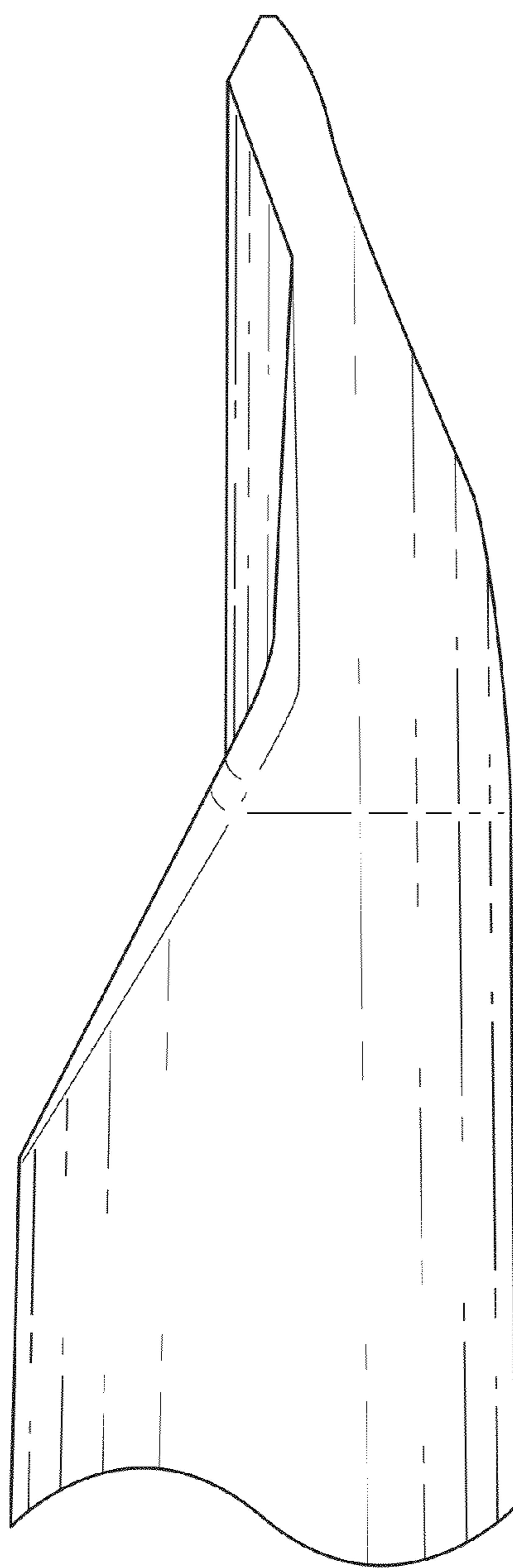


FIG. 9