



US00D703803S

(12) **United States Design Patent**
Williams et al.

(10) **Patent No.:** **US D703,803 S**
(45) **Date of Patent:** **** Apr. 29, 2014**

(54) **AIR FILTER**

(71) Applicants: **Steve Williams**, Beaumont, CA (US);
Jere James Wall, Helendale, CA (US)

(72) Inventors: **Steve Williams**, Beaumont, CA (US);
Jere James Wall, Helendale, CA (US)

(73) Assignee: **K&N Engineering, Inc.**, Riverside, CA (US)

(**) Term: **14 Years**

(21) Appl. No.: **29/438,337**

(22) Filed: **Nov. 29, 2012**

(51) **LOC (10) Cl.** **23-04**

(52) **U.S. Cl.**
USPC **D23/365**

(58) **Field of Classification Search**
USPC D23/365, 209, 363, 358, 386, 354, 341,
D23/364, 303; 55/385.3, 502, 497, 506,
55/505, 521, 495, 422, 493, DIG. 30;
210/435, 130, 136, 248, 339, 448, 452,
210/497.1; D32/31; D15/5
See application file for complete search history.

(56) **References Cited**

U.S. PATENT DOCUMENTS

6,217,627 B1 * 4/2001 Vyskocil et al. 55/492
D529,514 S * 10/2006 Maeda et al. D15/5

D533,622 S * 12/2006 Ross et al. D23/209
7,150,260 B2 * 12/2006 Arevalo et al. 123/198 E
D547,824 S * 7/2007 Brown D23/209
D599,064 S * 8/2009 Crevling et al. D32/31
D632,770 S * 2/2011 Rotter et al. D23/364
7,993,422 B2 * 8/2011 Krisko et al. 55/337
8,147,578 B2 * 4/2012 Bannister et al. 55/385.3
8,167,965 B2 * 5/2012 Greif 55/337
8,216,332 B2 * 7/2012 Kopec et al. 55/480
8,236,079 B2 * 8/2012 Fasan 55/385.3
D674,474 S * 1/2013 Rentschler D23/364

* cited by examiner

Primary Examiner — David Muller

(74) *Attorney, Agent, or Firm* — Rutan & Tucker LLP; Hani Z. Sayed

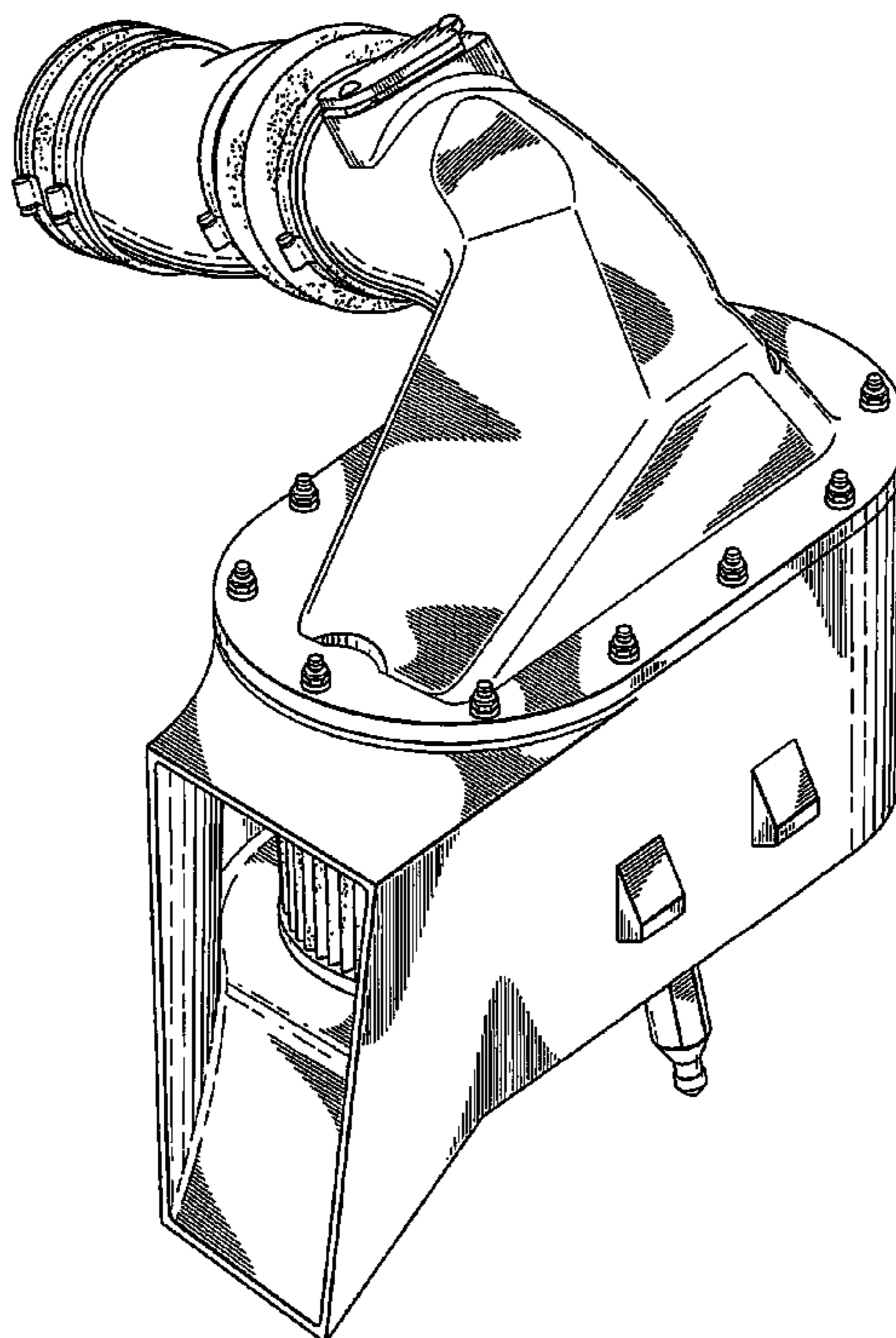
(57) **CLAIM**

The ornamental design for air filter, as shown and described.

DESCRIPTION

FIG. 1 is a top, front, right side perspective view of the present invention;
FIG. 2 is a front elevation view thereof;
FIG. 3 is a rear elevation view thereof;
FIG. 4 is a left side view thereof;
FIG. 5 is right side elevation view thereof;
FIG. 6 is top plan view thereof;
FIG. 7 is a bottom plan view thereof; and,
FIG. 8 is a top, front right side exploded perspective view thereof.

1 Claim, 8 Drawing Sheets



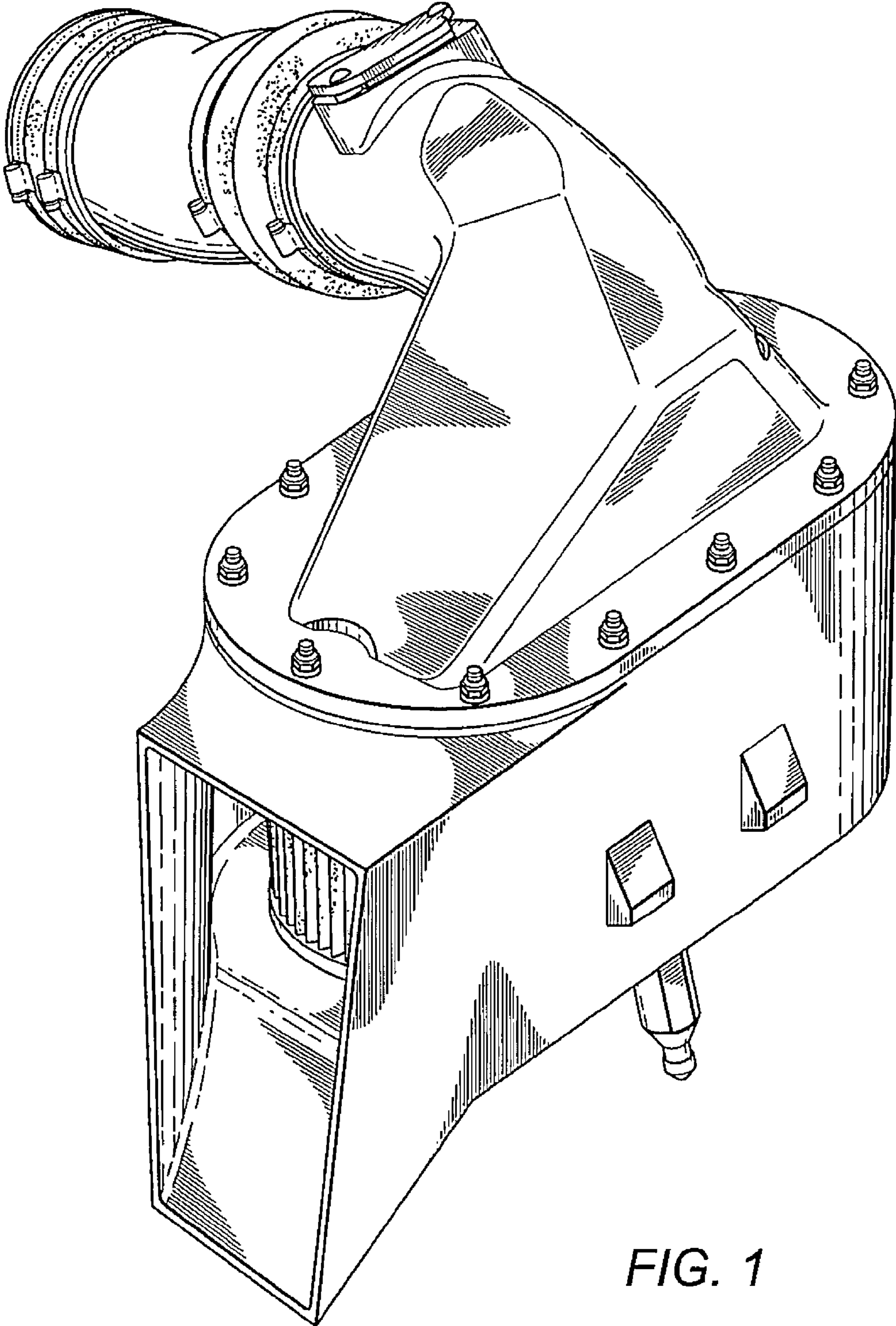


FIG. 1

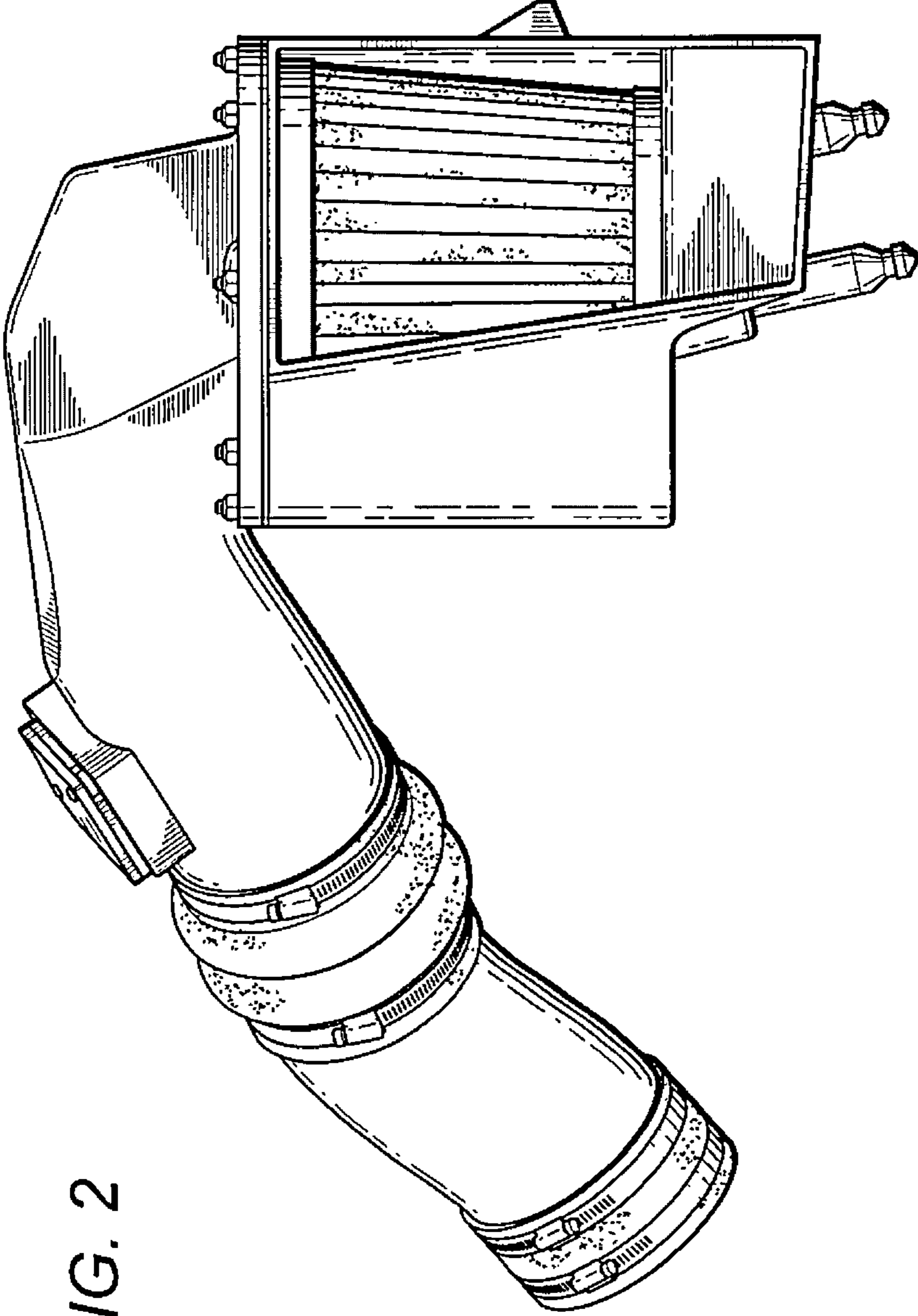
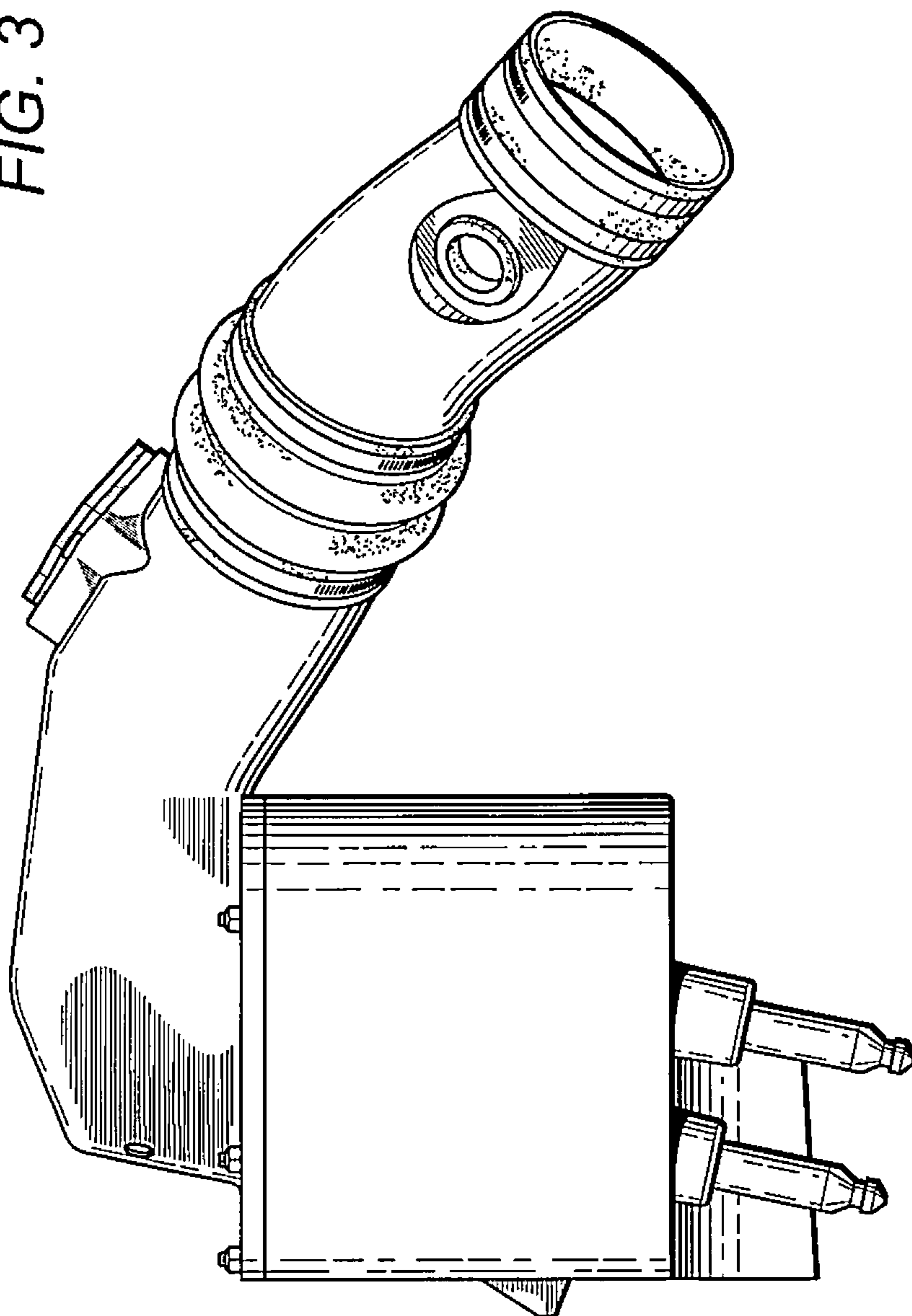


FIG. 2

FIG. 3



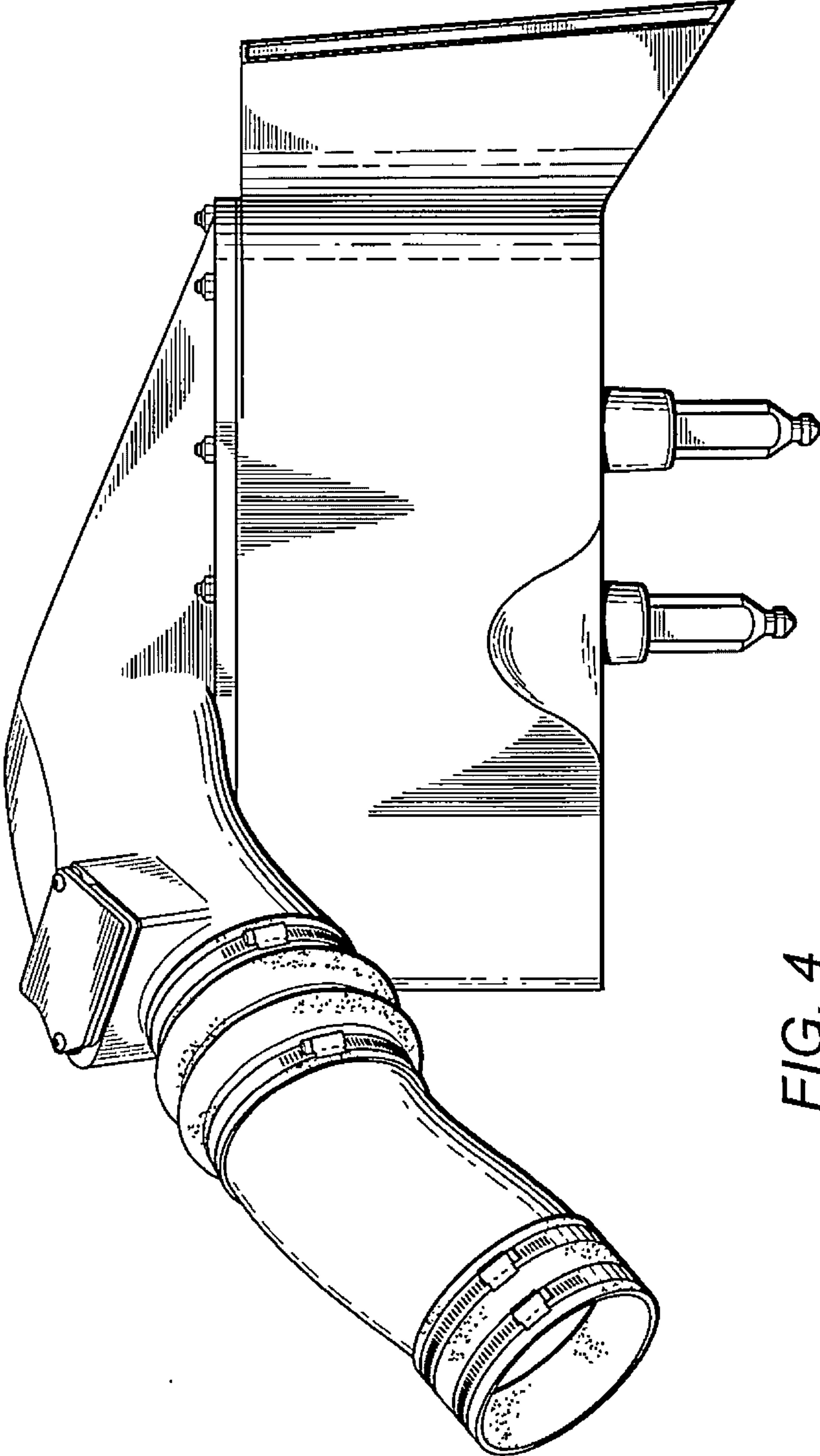


FIG. 4

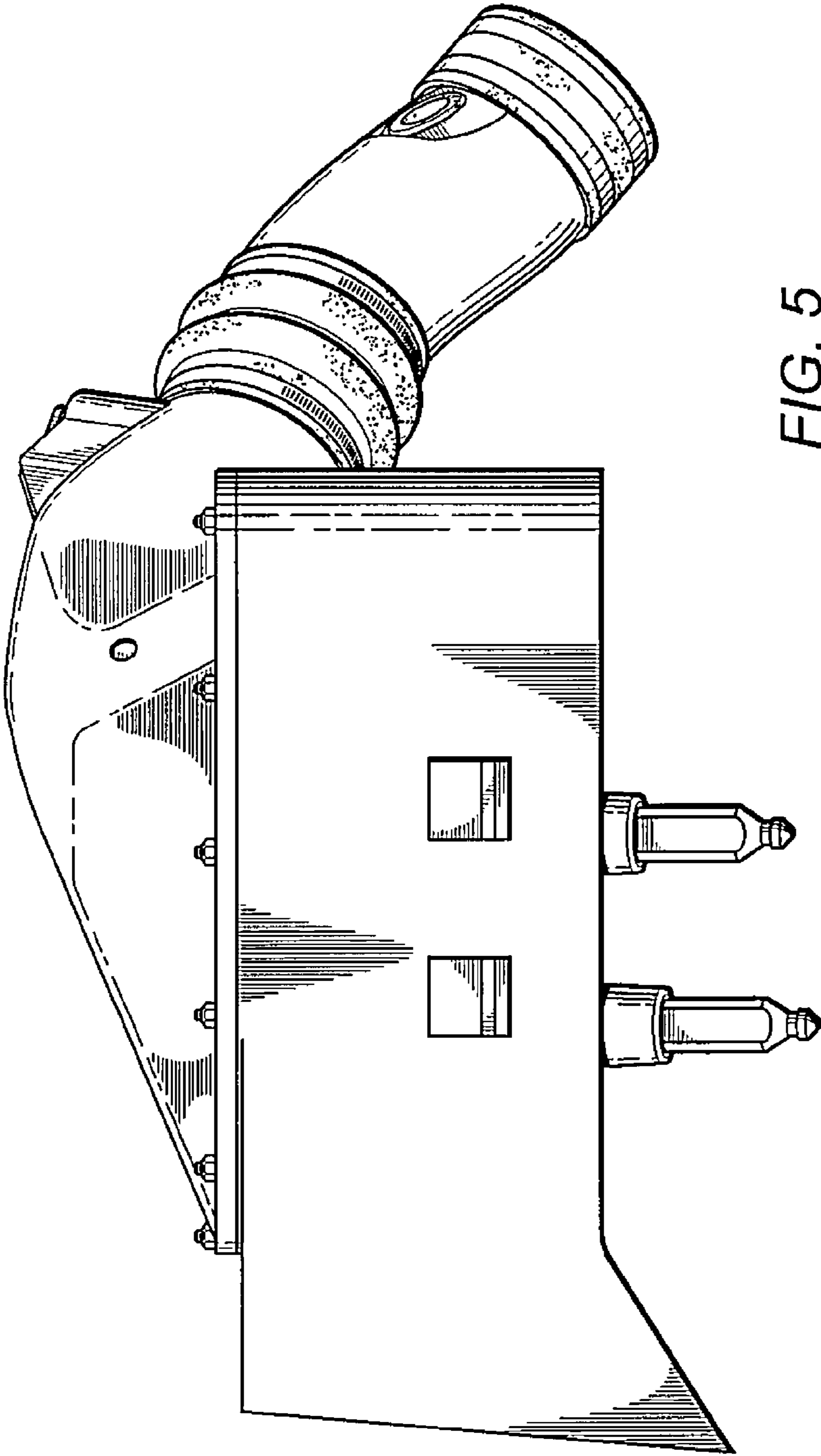


FIG. 5

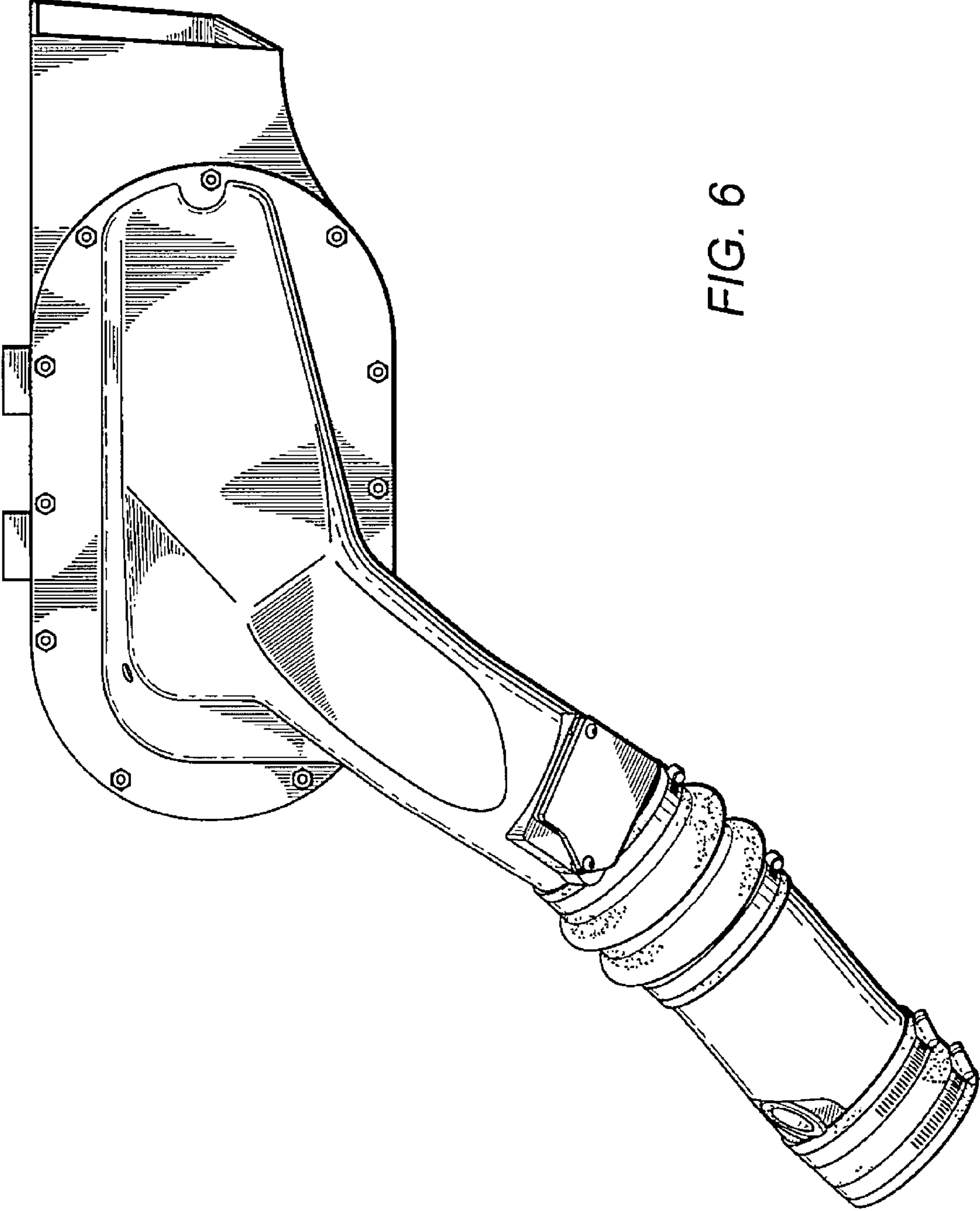
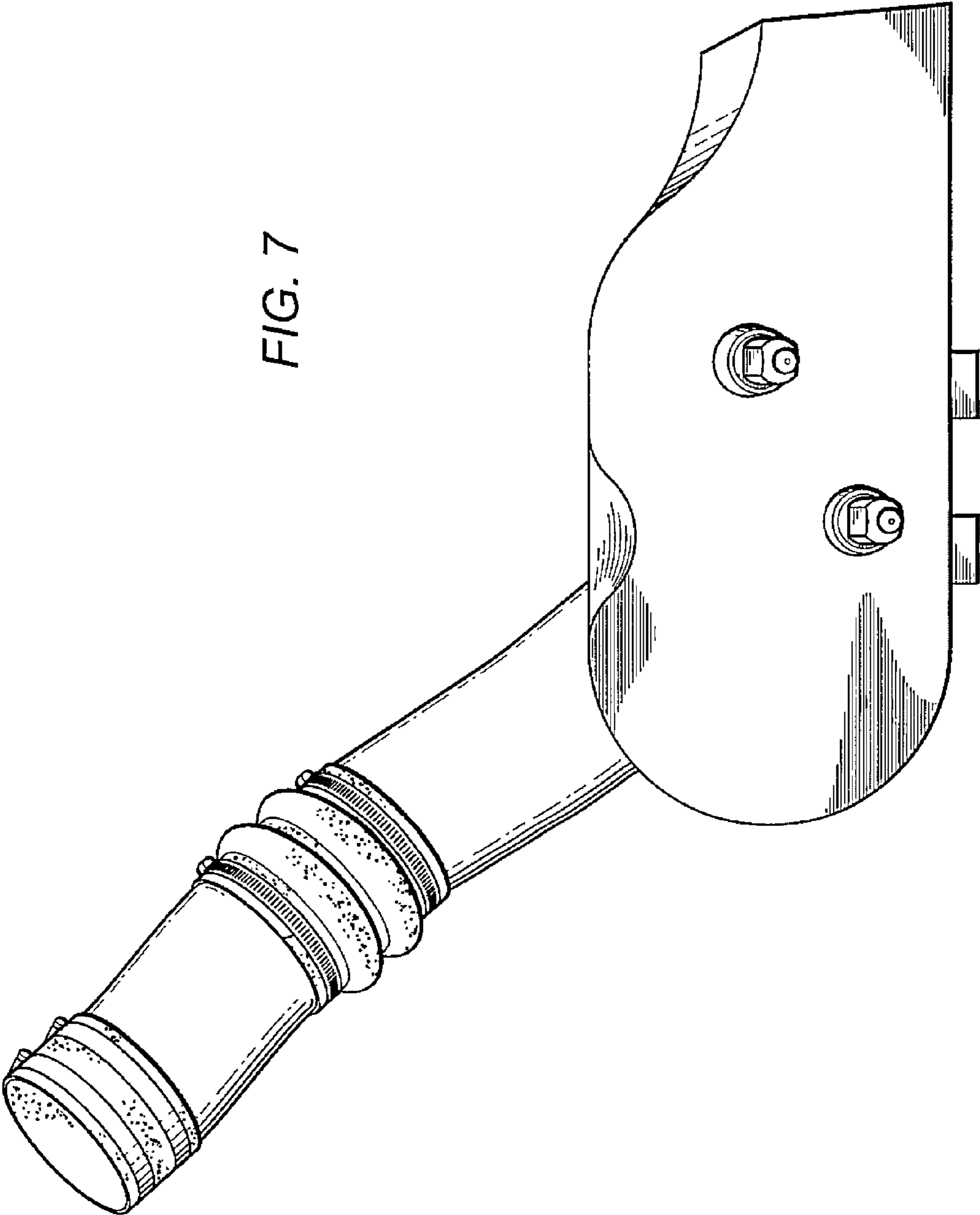


FIG. 6

FIG. 7



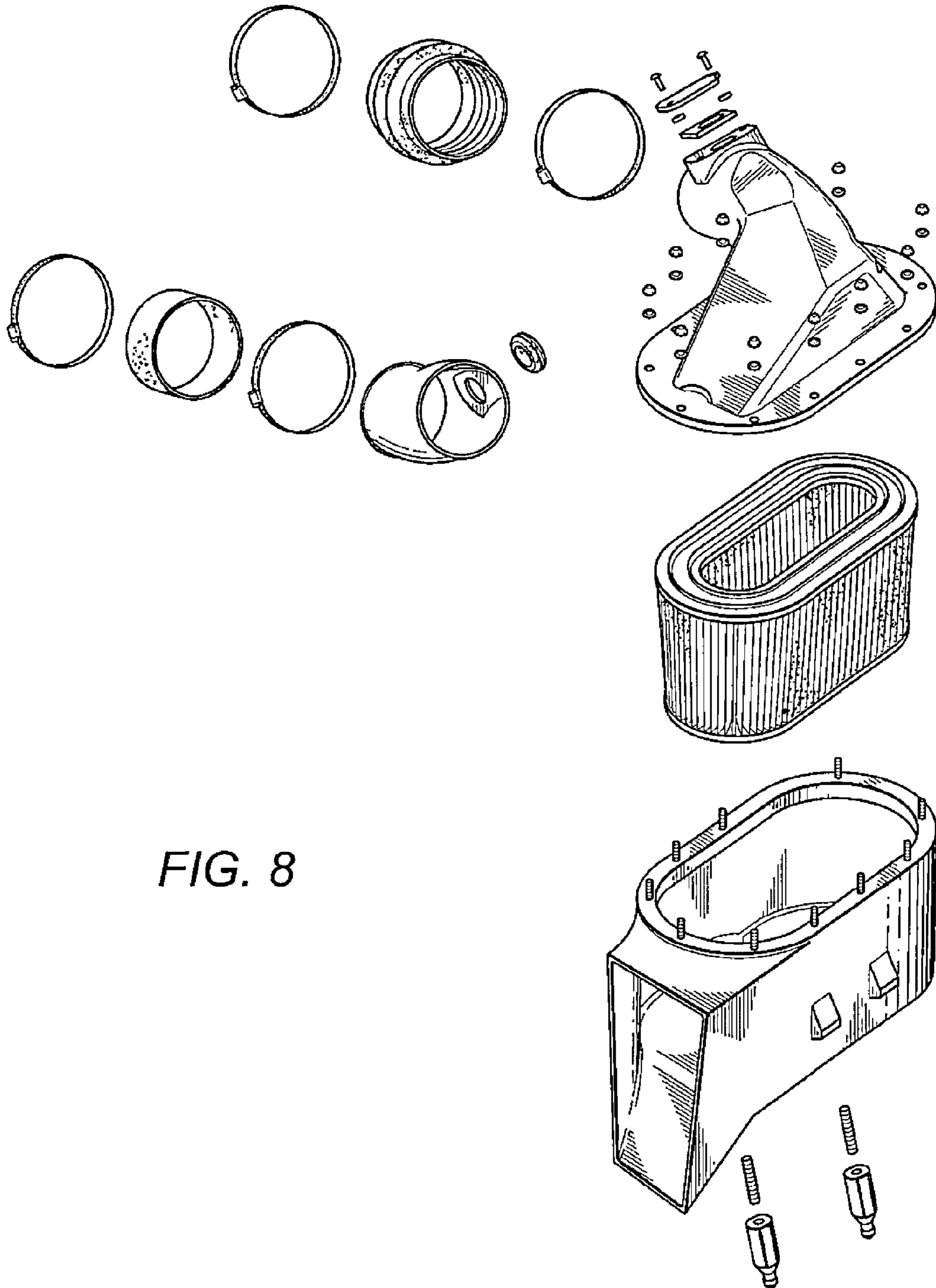


FIG. 8