



US00D703802S

(12) **United States Design Patent**
Dios

(10) **Patent No.:** **US D703,802 S**
(45) **Date of Patent:** **** Apr. 29, 2014**

(54) **DEHUMIDIFIER**

(75) Inventor: **Eva Schmidt Dios**, La Canonja (ES)

(73) Assignee: **Humex, S.A.**, La Canonja (ES)

(**) Term: **14 Years**

(21) Appl. No.: **29/425,339**

(22) Filed: **Jun. 21, 2012**

(30) **Foreign Application Priority Data**

Dec. 21, 2011 (ES) 001966391-0003

(51) **LOC (10) Cl.** **23-04**

(52) **U.S. Cl.**
USPC **D23/359**

(58) **Field of Classification Search**
USPC D23/355-367, 369, 351, 352, 332, 333,
D23/335, 336, 342; 422/120, 122; 55/356,
55/473, 504; 96/97; D14/188, 170, 172;
261/DIG. 17, DIG. 65, DIG. 88, DIG. 31;
D18/34.6; D9/549, 551, 565; D7/612
See application file for complete search history.

(56) **References Cited**

U.S. PATENT DOCUMENTS

D348,312 S * 6/1994 Schwartz et al. D23/367
D364,676 S * 11/1995 Chiu et al. D23/356
D368,771 S * 4/1996 Patel et al. D23/367
D398,533 S * 9/1998 Kotyuk et al. D9/551
D509,893 S * 9/2005 Sevy D23/366

D544,593 S * 6/2007 Yamamoto D23/366
D551,745 S * 9/2007 Aulwes et al. D23/355
D555,774 S * 11/2007 Matthiesen D23/332
D598,770 S * 8/2009 Delfino, Jr. D9/538
D600,132 S * 9/2009 Delfino et al. D9/551
D622,835 S * 8/2010 Mendheim D23/364
D663,399 S * 7/2012 Browder D23/366
D666,916 S * 9/2012 Enciso et al. D9/565

* cited by examiner

Primary Examiner — David Muller

(74) *Attorney, Agent, or Firm* — Allen, Dyer, Doppelt,
Milbrath & Gilchrist, P.A.

(57) **CLAIM**

The ornamental design for a dehumidifier, as shown and described.

DESCRIPTION

FIG. 1 is a perspective view from the top and front of a dehumidifier, according to an embodiment of the present invention;

FIG. 2 is a front view of the dehumidifier of FIG. 1;

FIG. 3 is a rear view of the dehumidifier of FIG. 1;

FIG. 4 is a right side view of the dehumidifier of FIG. 1;

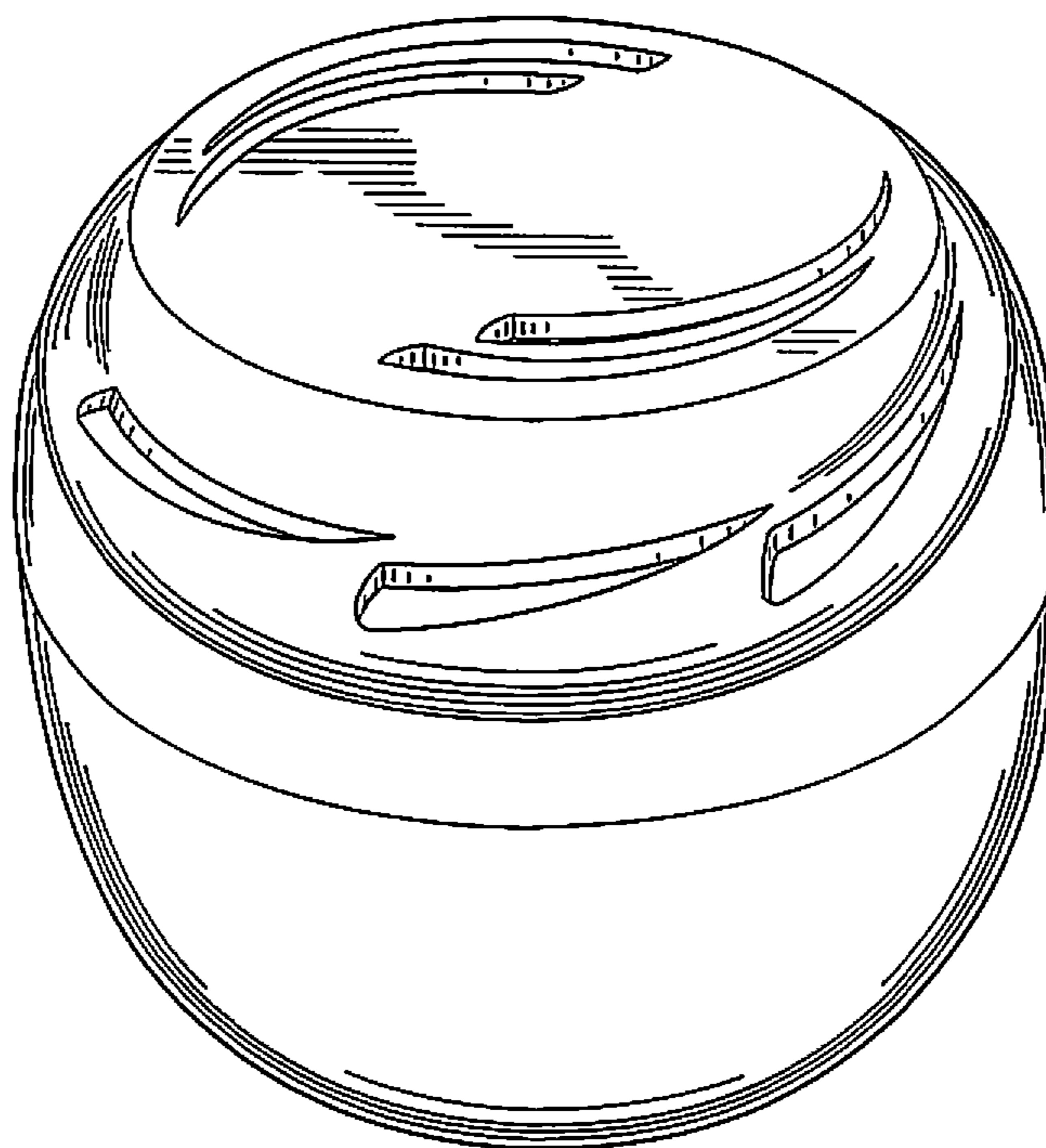
FIG. 5 is a left side view of the dehumidifier of FIG. 1;

FIG. 6 is a top view of the dehumidifier of FIG. 1; and,

FIG. 7 is a bottom view of the dehumidifier of FIG. 1.

Broken lines in FIG. 6 depict a boundary of the claimed design, and form no part thereof.

1 Claim, 4 Drawing Sheets



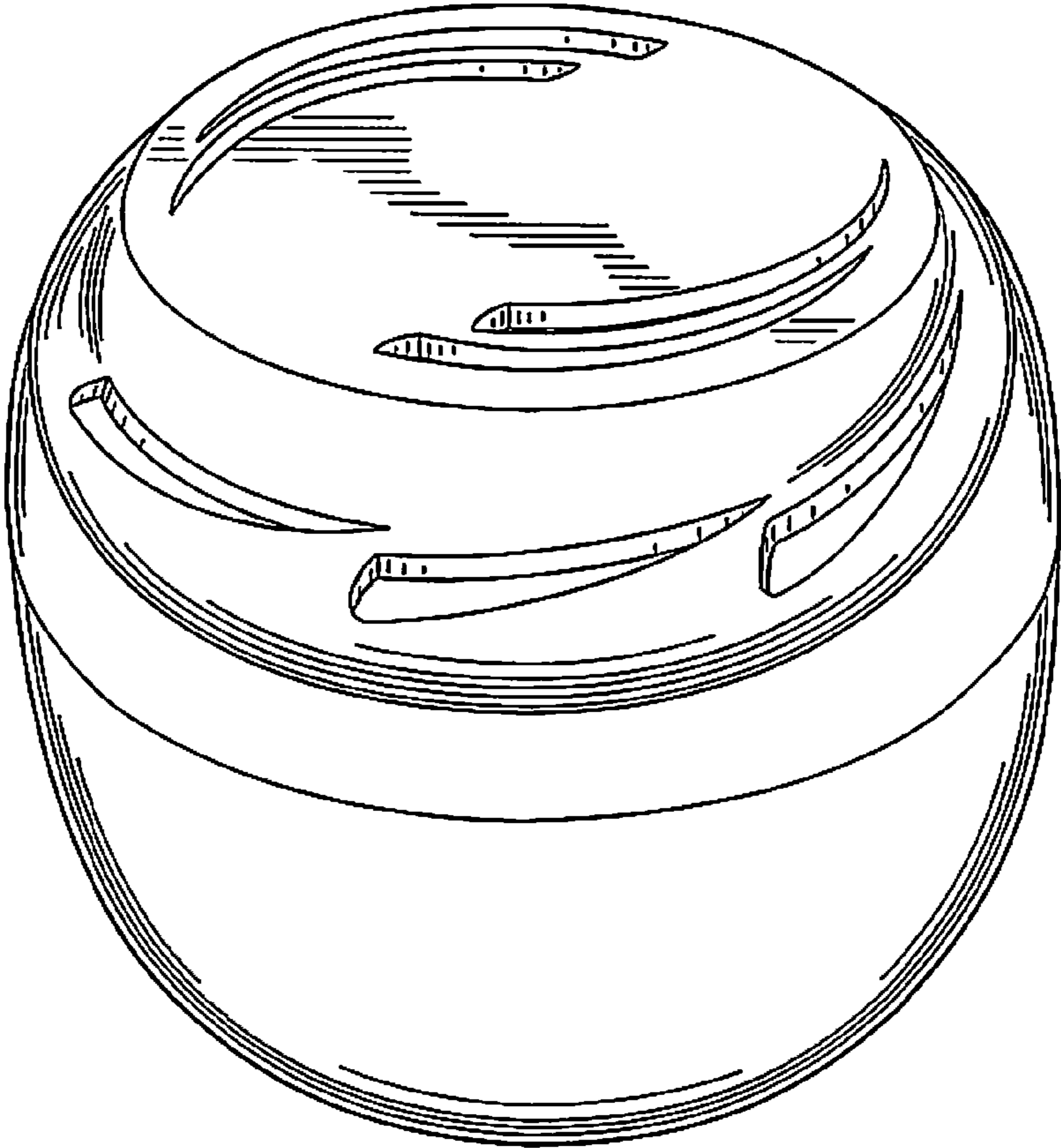


Fig. 1

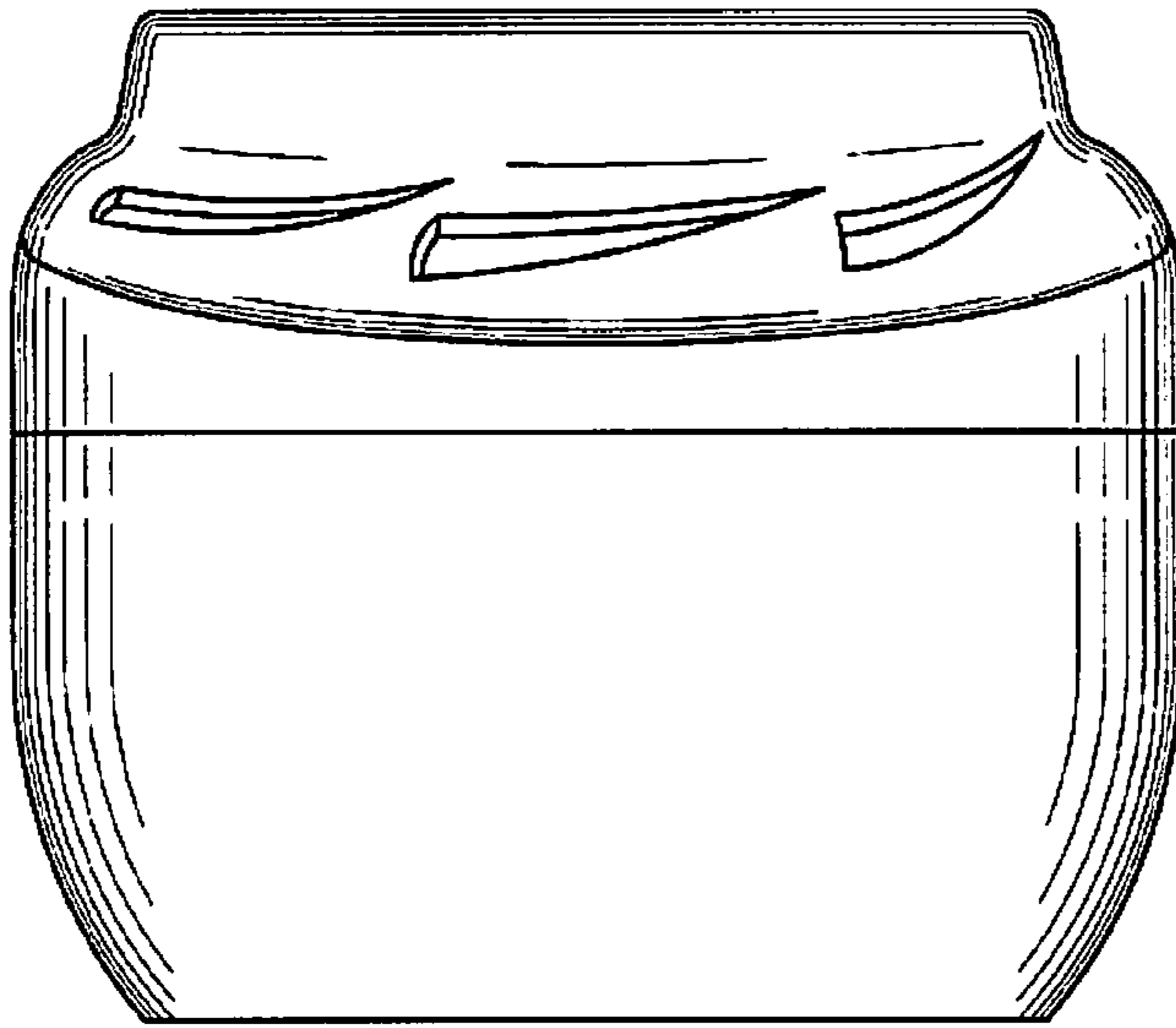


Fig. 2

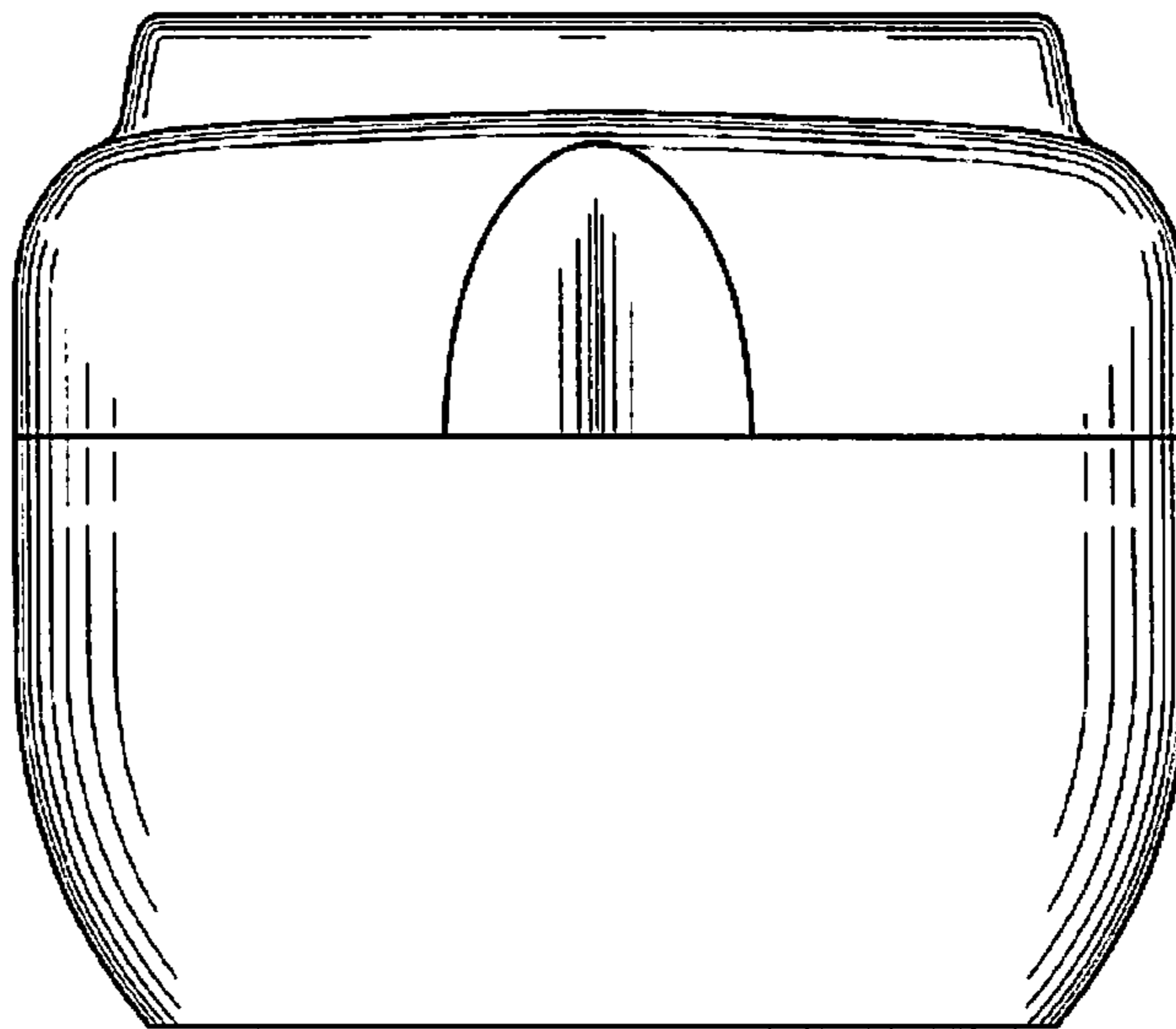


Fig. 3

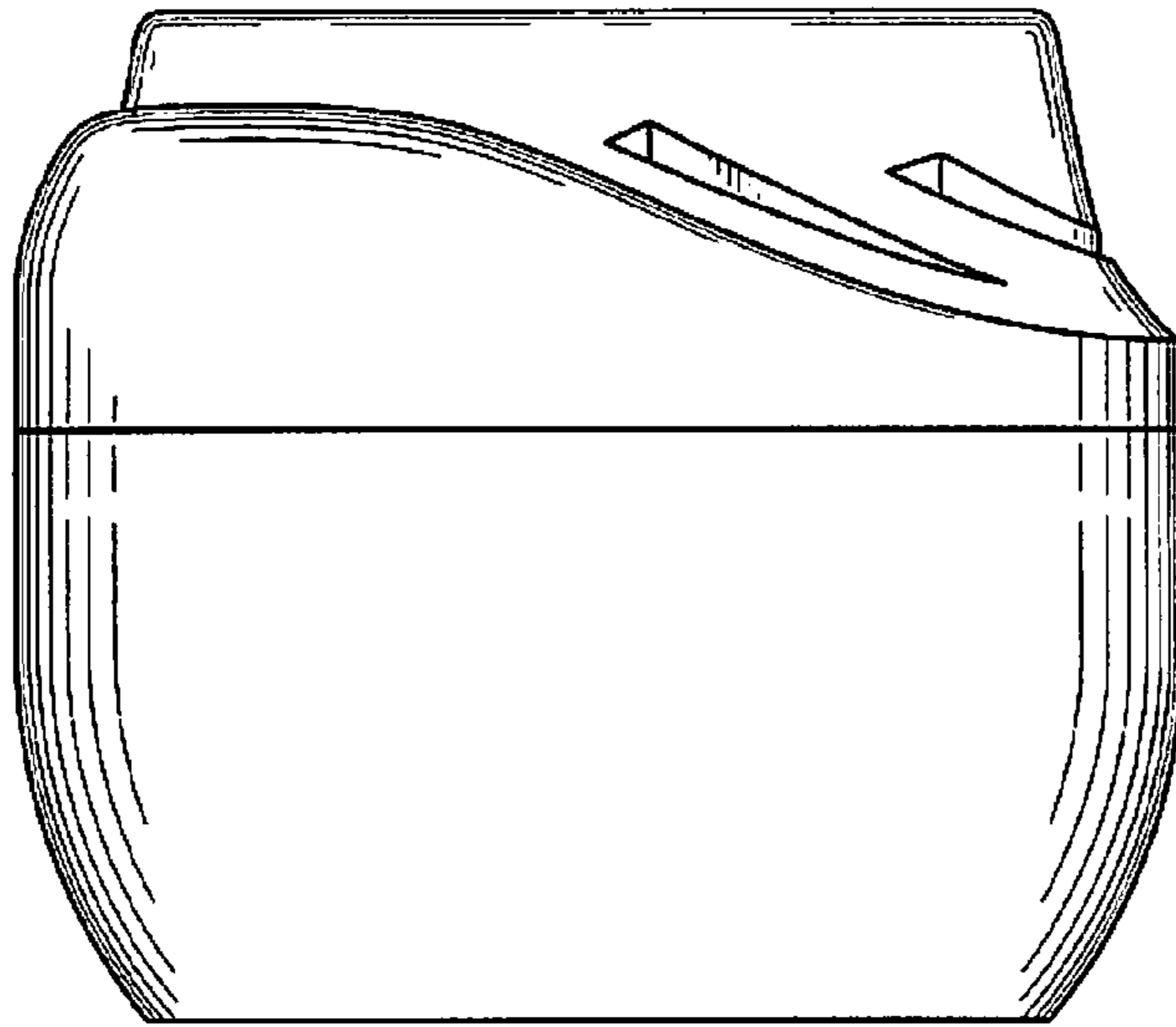


Fig. 4

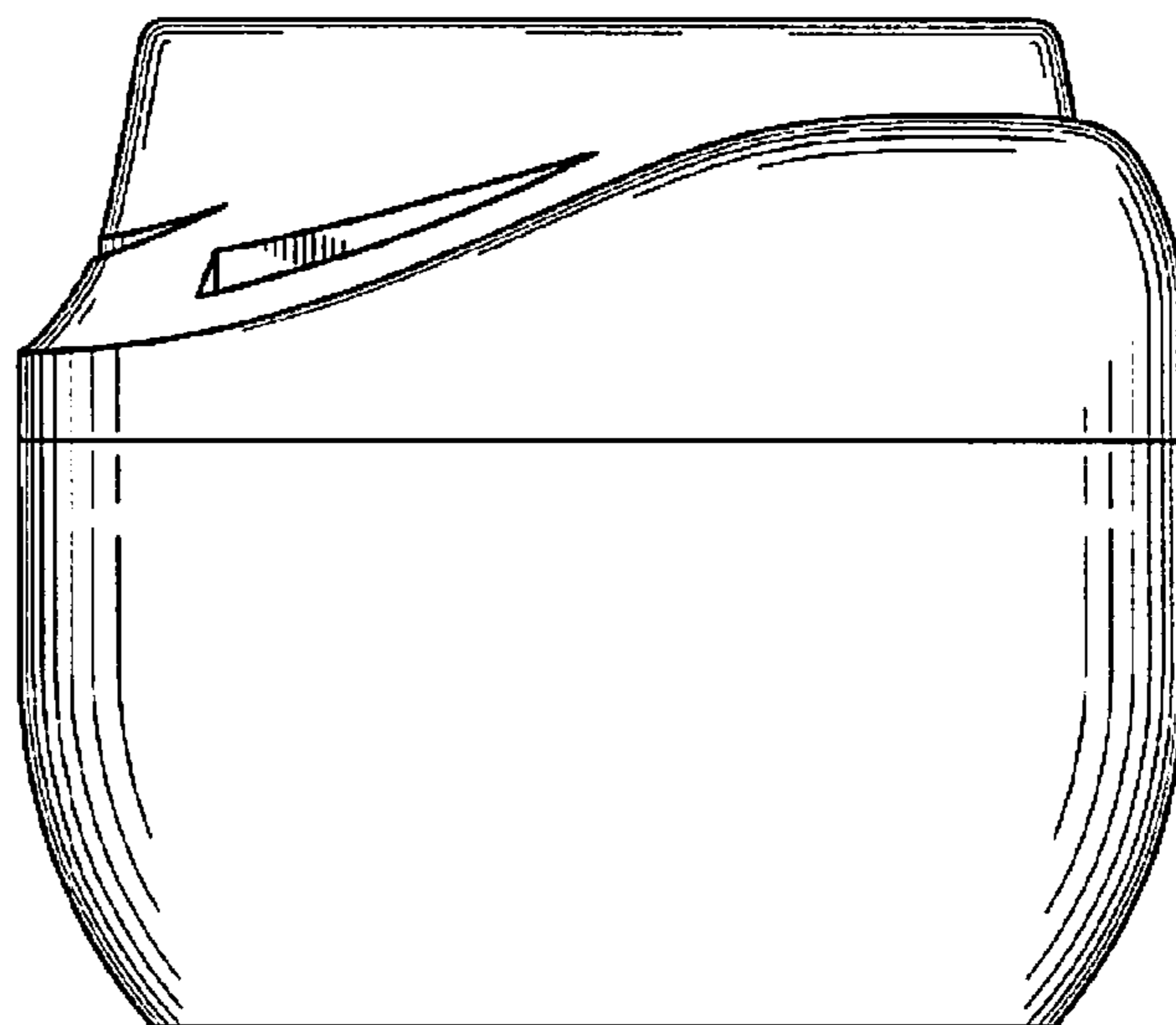


Fig. 5

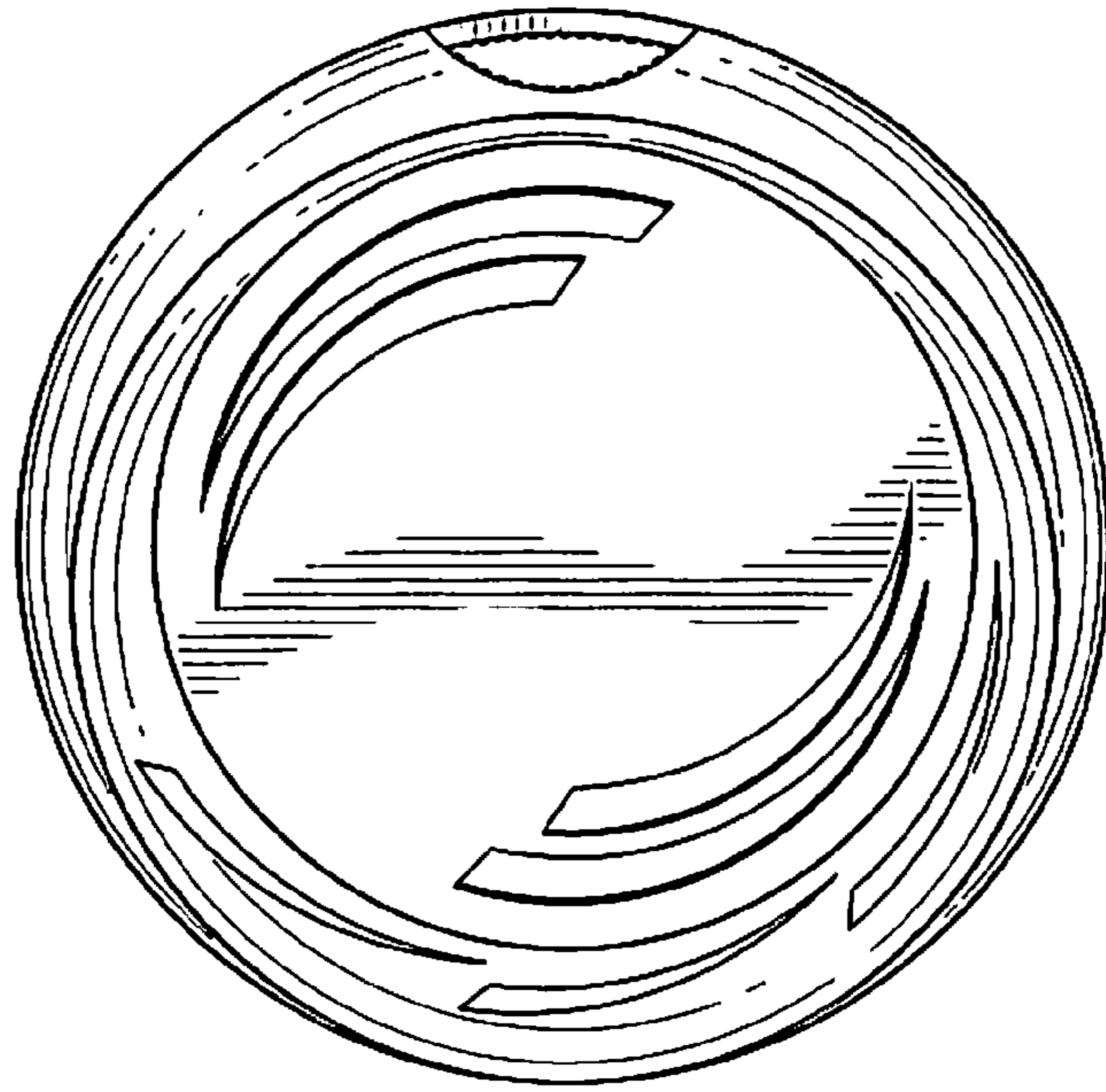


Fig. 6

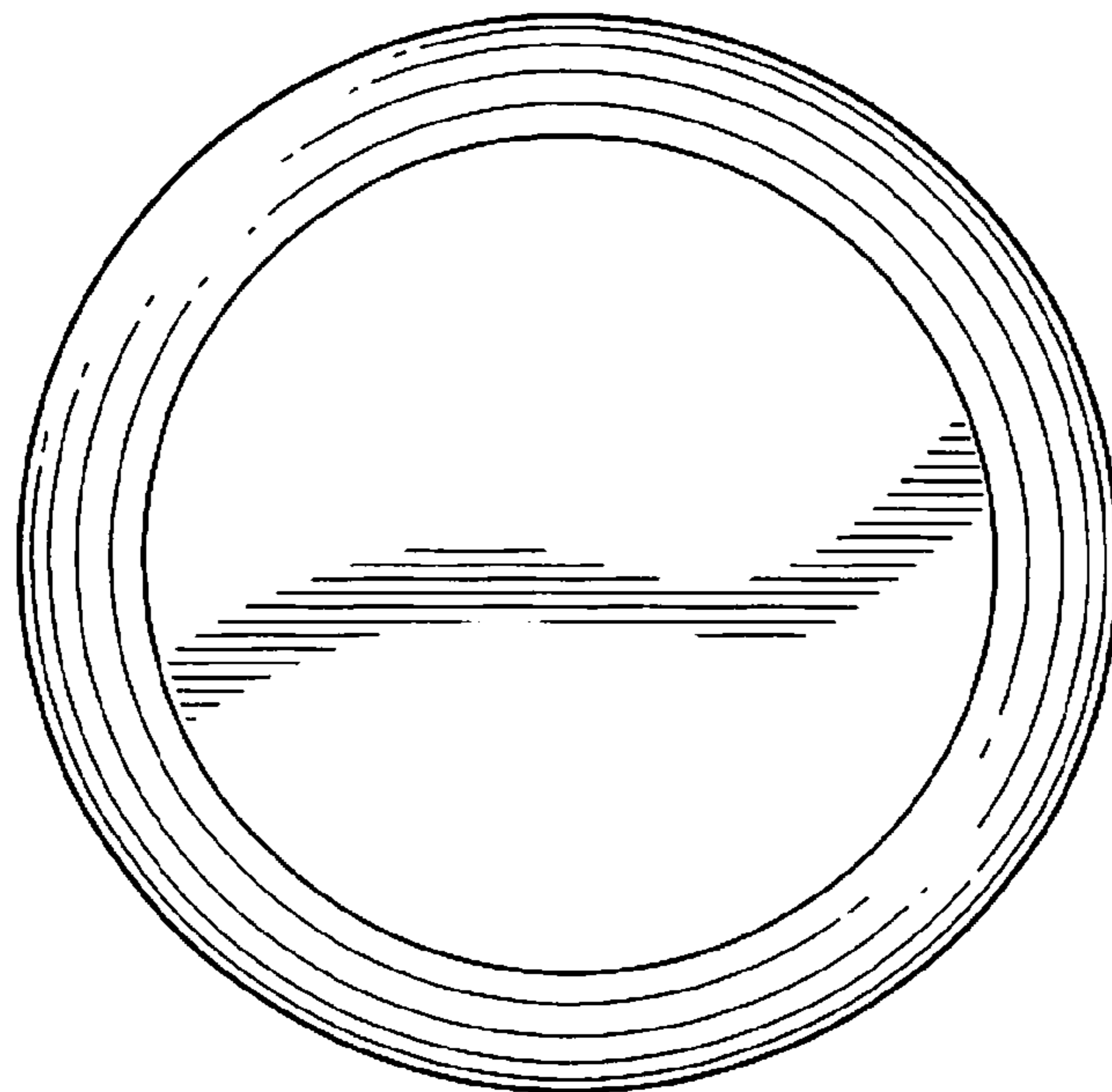


Fig. 7