



US00D703801S

(12) **United States Design Patent**
Eilmus et al.

(10) **Patent No.:** **US D703,801 S**
(45) **Date of Patent:** **** Apr. 29, 2014**

(54) **SINK**

(74) *Attorney, Agent, or Firm* — **Foley & Lardner LLP**

(71) Applicant: **Kohler Co.**, Kohler, WI (US)

(57) **CLAIM**

We claim the ornamental design for a sink, as shown and described.

(72) Inventors: **Niels J. Eilmus**, Sheboygan, WI (US);
Jason R. Miller, Sheboygan Falls, WI (US)

DESCRIPTION

(73) Assignee: **Kohler Co.**, Kohler, WI (US)

FIG. 1 is a perspective view of an embodiment of the claimed design;

(**) Term: **14 Years**

FIG. 2 is a top view of the claimed design shown in FIG. 1;

(21) Appl. No.: **29/448,207**

FIG. 3 is a bottom view of the claimed design shown in FIG. 1;

(22) Filed: **Mar. 11, 2013**

FIG. 4 is a side view of the claimed design shown in FIG. 1;

(51) **LOC (10) Cl.** **23-01**

FIG. 5 is another side view of the claimed design shown in FIG. 1;

(52) **U.S. Cl.**

USPC **D23/308**

FIG. 6 is another side view of the claimed design shown in FIG. 1;

(58) **Field of Classification Search**

USPC D23/272-274, 284, 286, 292-293.1,
D23/303, 308; 4/619; 126/383.1, 385.1

See application file for complete search history.

FIG. 7 is another side view of the claimed design shown in FIG. 1;

FIG. 8 is a cross-sectional view of the claimed design shown in FIG. 1 taken along line 8-8 in FIG. 2;

FIG. 8A is an enlarged cross-sectional view of a portion of the claimed design shown in FIG. 1 taken along line 8A-8A in FIG. 8;

(56) **References Cited**

U.S. PATENT DOCUMENTS

2,676,477	A	4/1954	Smith
3,196,864	A	7/1965	Johnson
4,242,763	A	1/1981	Walker
4,336,620	A	6/1982	Gresh
4,655,169	A	4/1987	Pullola

(Continued)

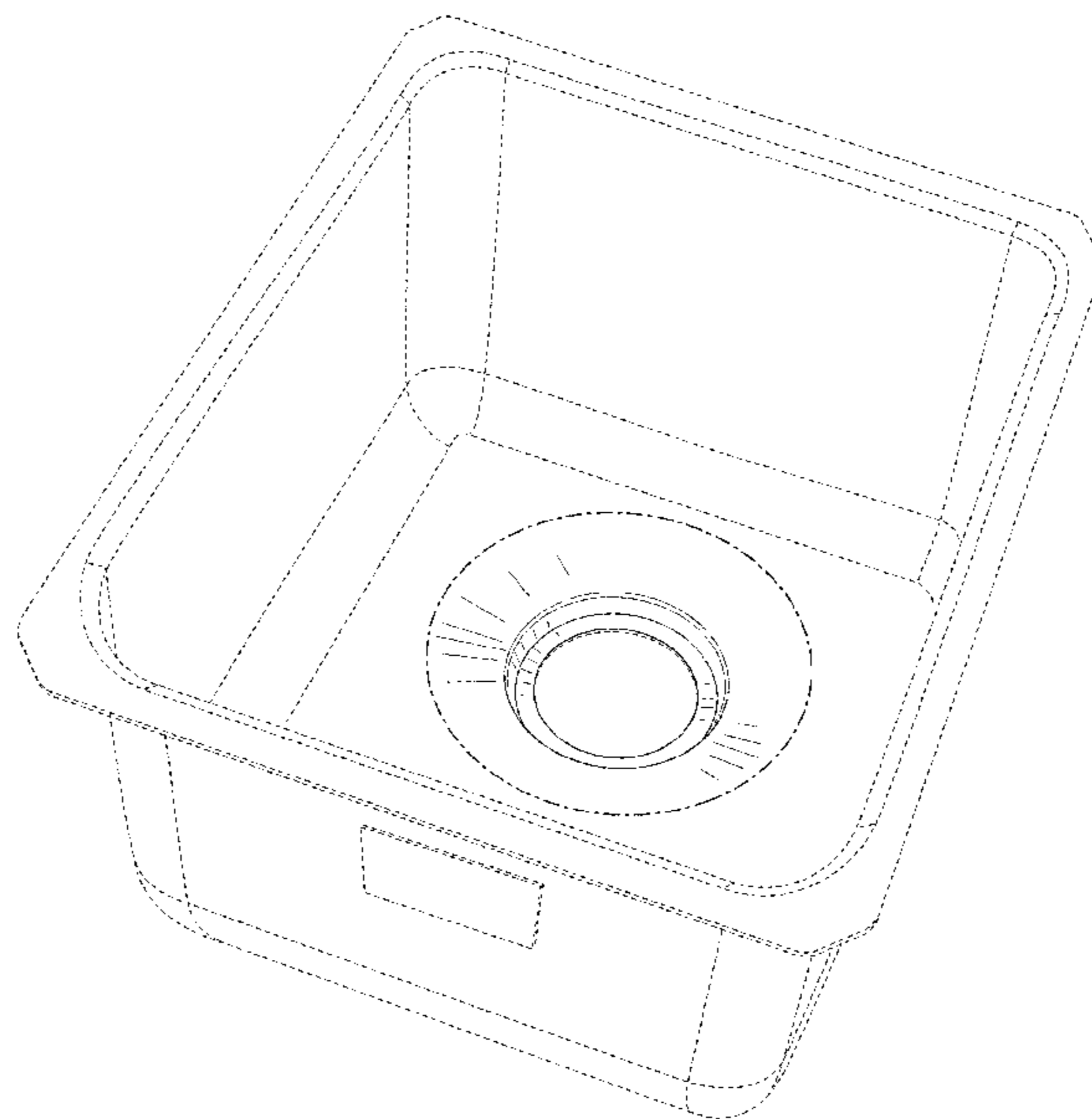
OTHER PUBLICATIONS

Response to Restriction Requirement mailed Oct. 28, 2013 in U.S. Appl. No. 29/448,206.

(Continued)

Primary Examiner — Robert Delehanty

1 Claim, 8 Drawing Sheets



(56)

References Cited

U.S. PATENT DOCUMENTS

5,179,740 A 1/1993 Marsilio et al.
D389,901 S 1/1998 Kohler, Jr. et al.
5,715,547 A 2/1998 Becker et al.
6,085,362 A * 7/2000 Huber 4/252.4
D442,679 S 5/2001 Roberts
6,484,330 B2 * 11/2002 Gray et al. 4/684
6,554,944 B1 4/2003 Peters et al.
D494,664 S * 8/2004 Arnold D23/293.1
D544,073 S * 6/2007 DeGarmo D23/284
D544,586 S 6/2007 Gilbert et al.
D545,416 S 6/2007 Maruhashi et al.
D561,879 S * 2/2008 Gilbert et al. D23/293.1
D603,025 S 10/2009 Mahon
D632,373 S * 2/2011 Kehrer et al. D23/293.1
D635,227 S 3/2011 DuFour

7,954,183 B2 6/2011 Cawthon
7,992,236 B2 8/2011 DeGooyer
D677,772 S * 3/2013 Mendoza et al. D23/293.1
8,424,123 B2 * 4/2013 Svensson 4/286
1,070,424 A1 8/2013 Danver
8,499,376 B2 8/2013 Kyung Kim
2006/0096018 A1 5/2006 Ball
2010/0251477 A1 10/2010 Bates
2011/0277694 A1 11/2011 Euse

OTHER PUBLICATIONS

Response to Restriction Requirement mailed Oct. 28, 2013 in U.S.
Appl. No. 29/448,204.
Response to Restriction Requirement mailed Oct. 25, 2013 in U.S.
Appl. No. 29/448,203.

* cited by examiner

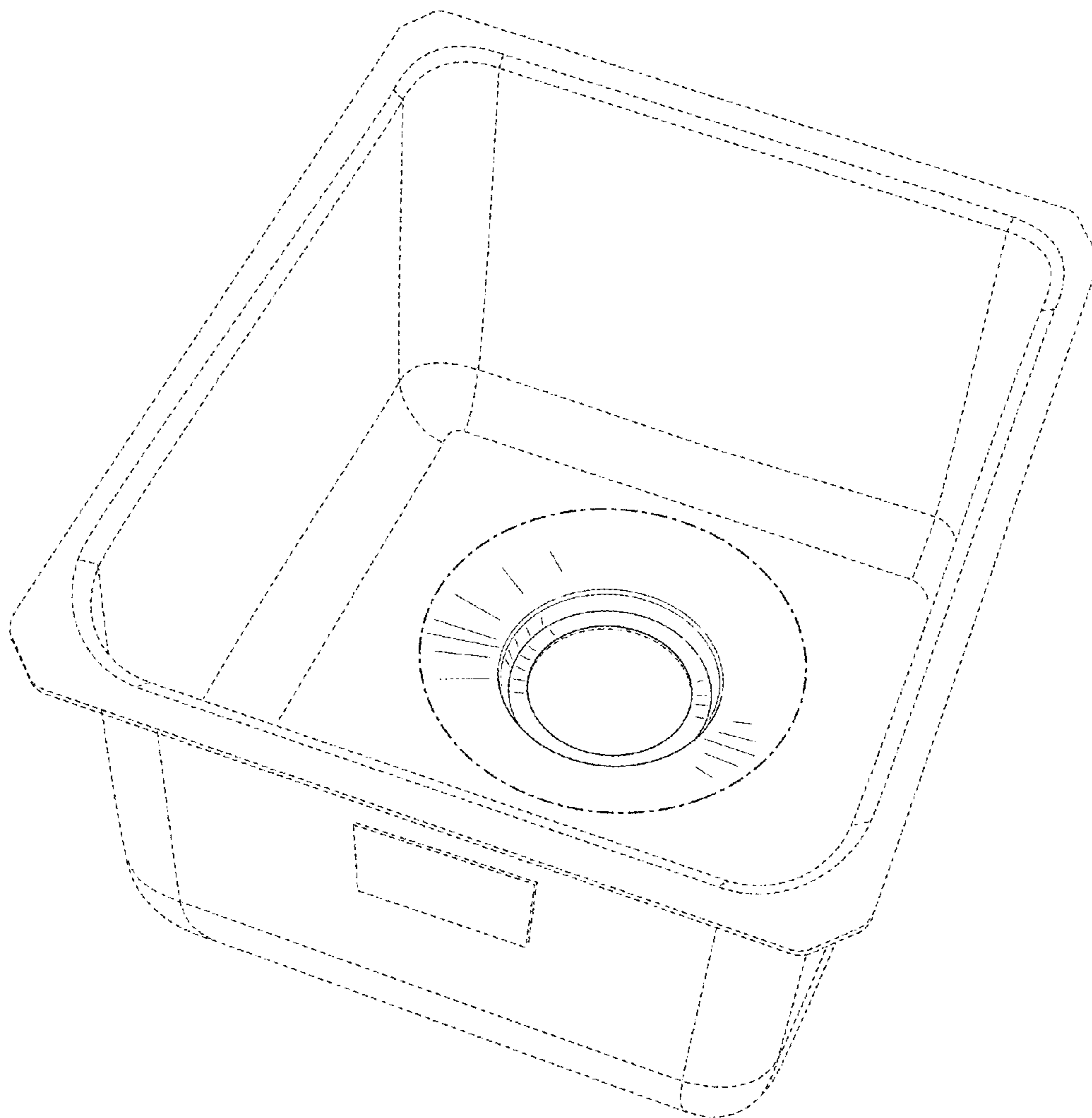


FIG. 1

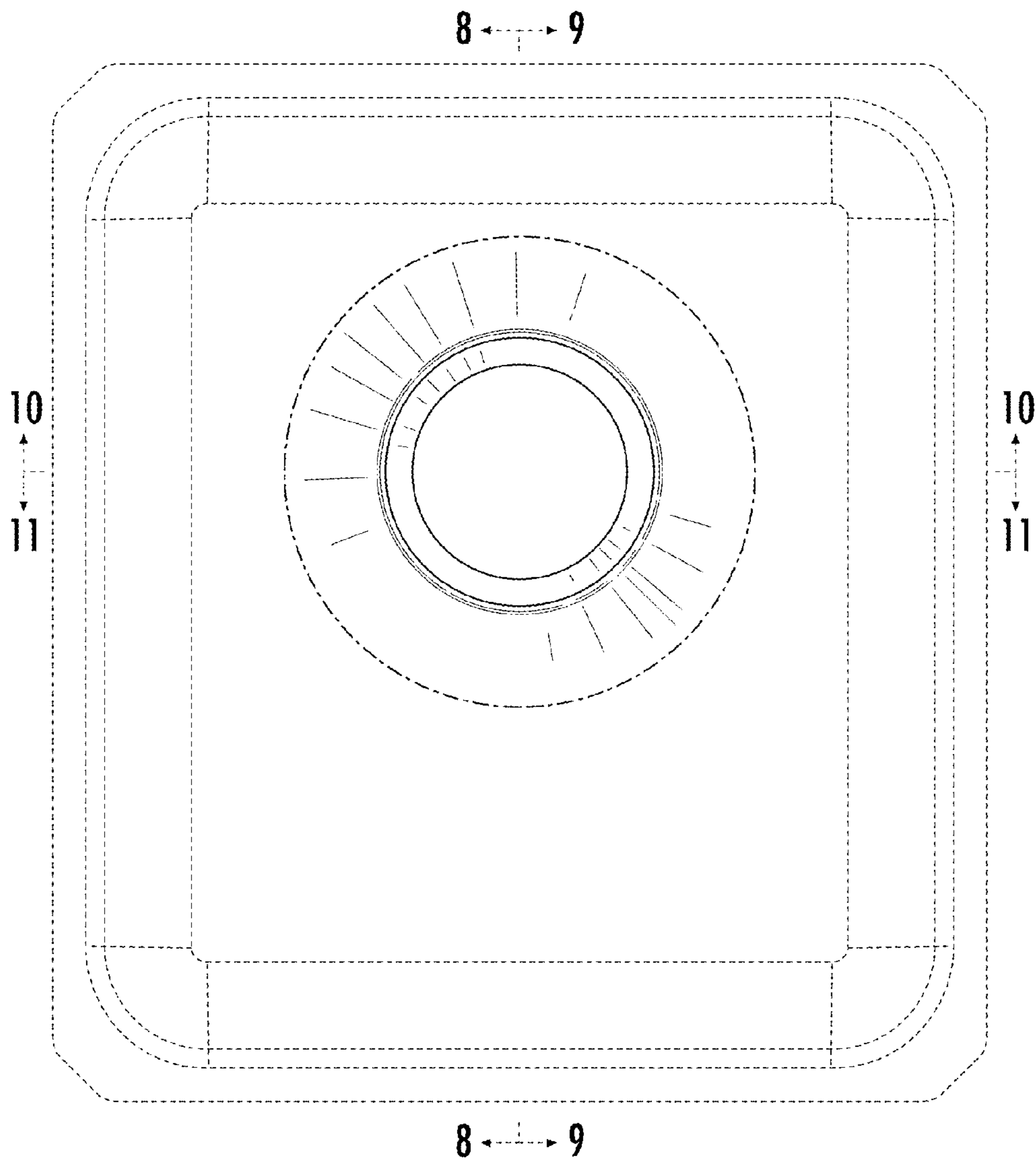


FIG. 2

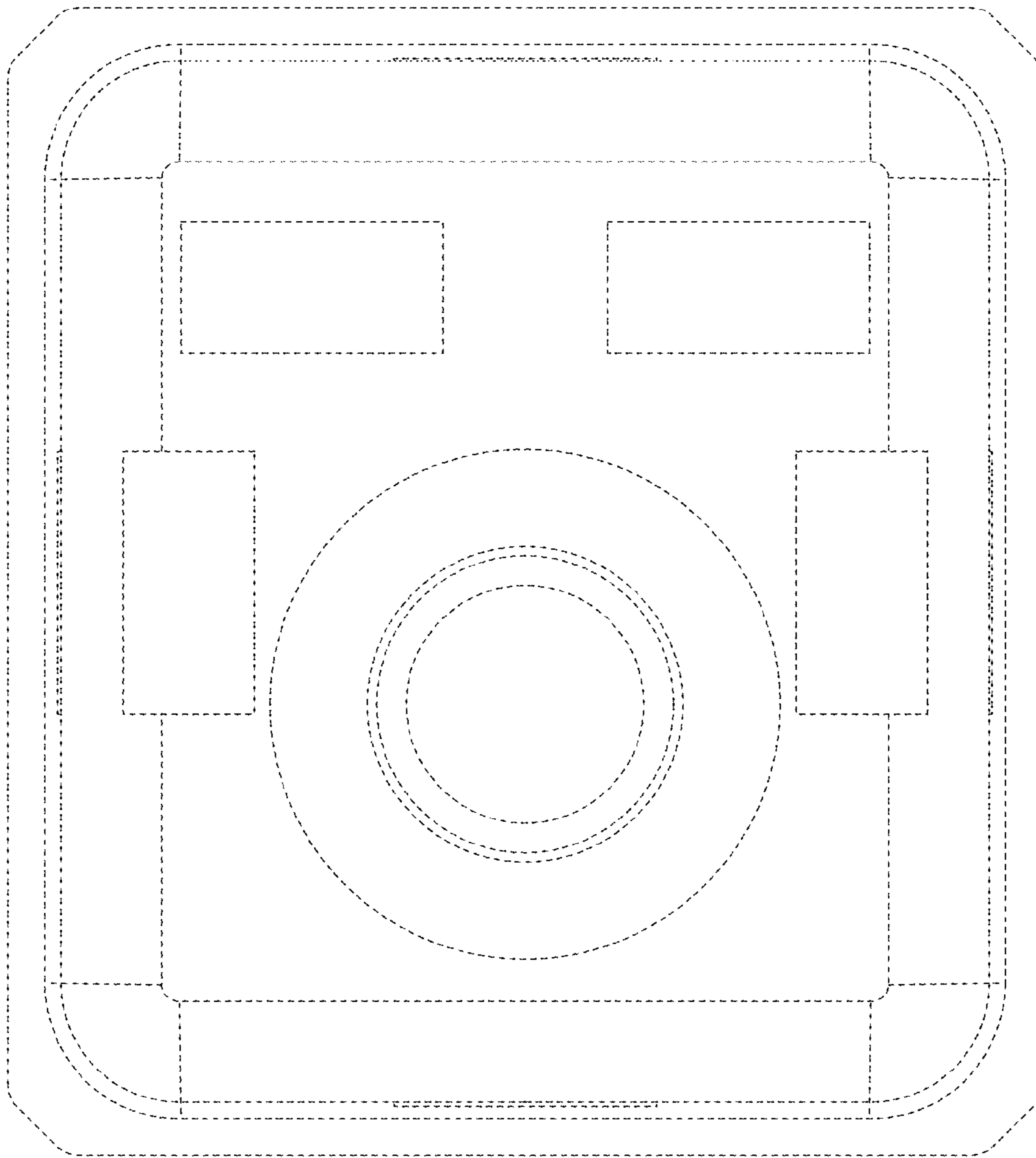


FIG. 3

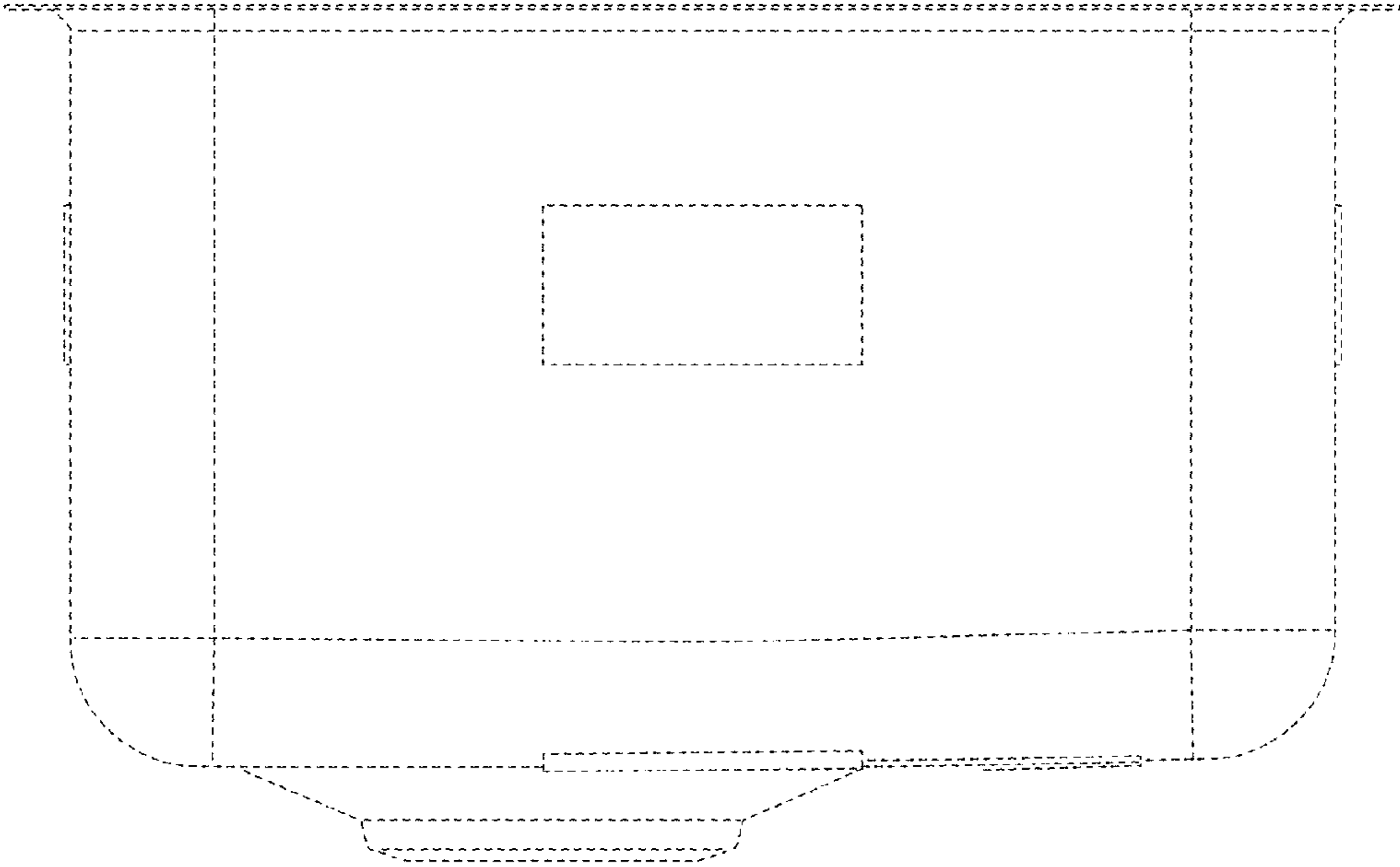


FIG. 4

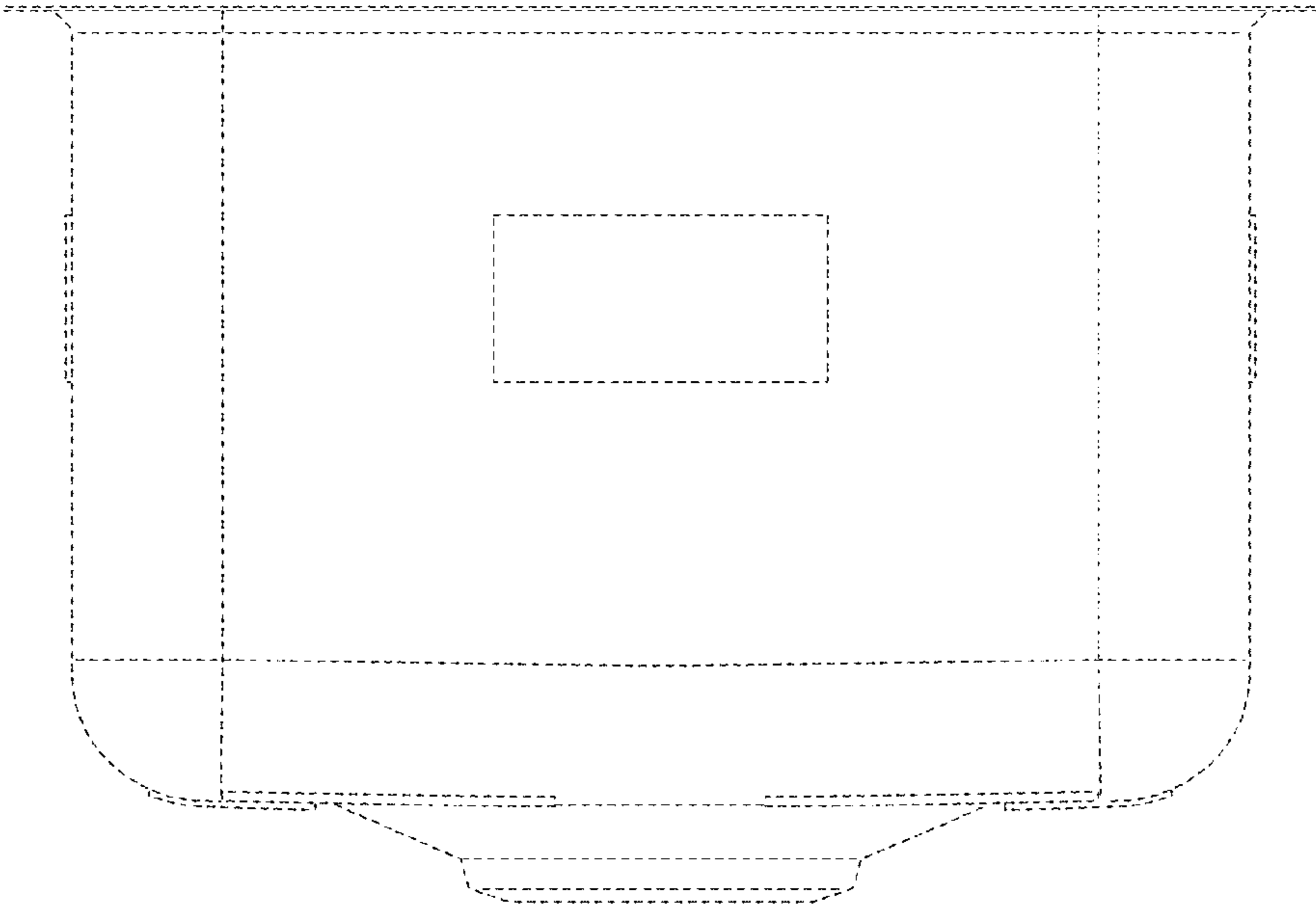


FIG. 5

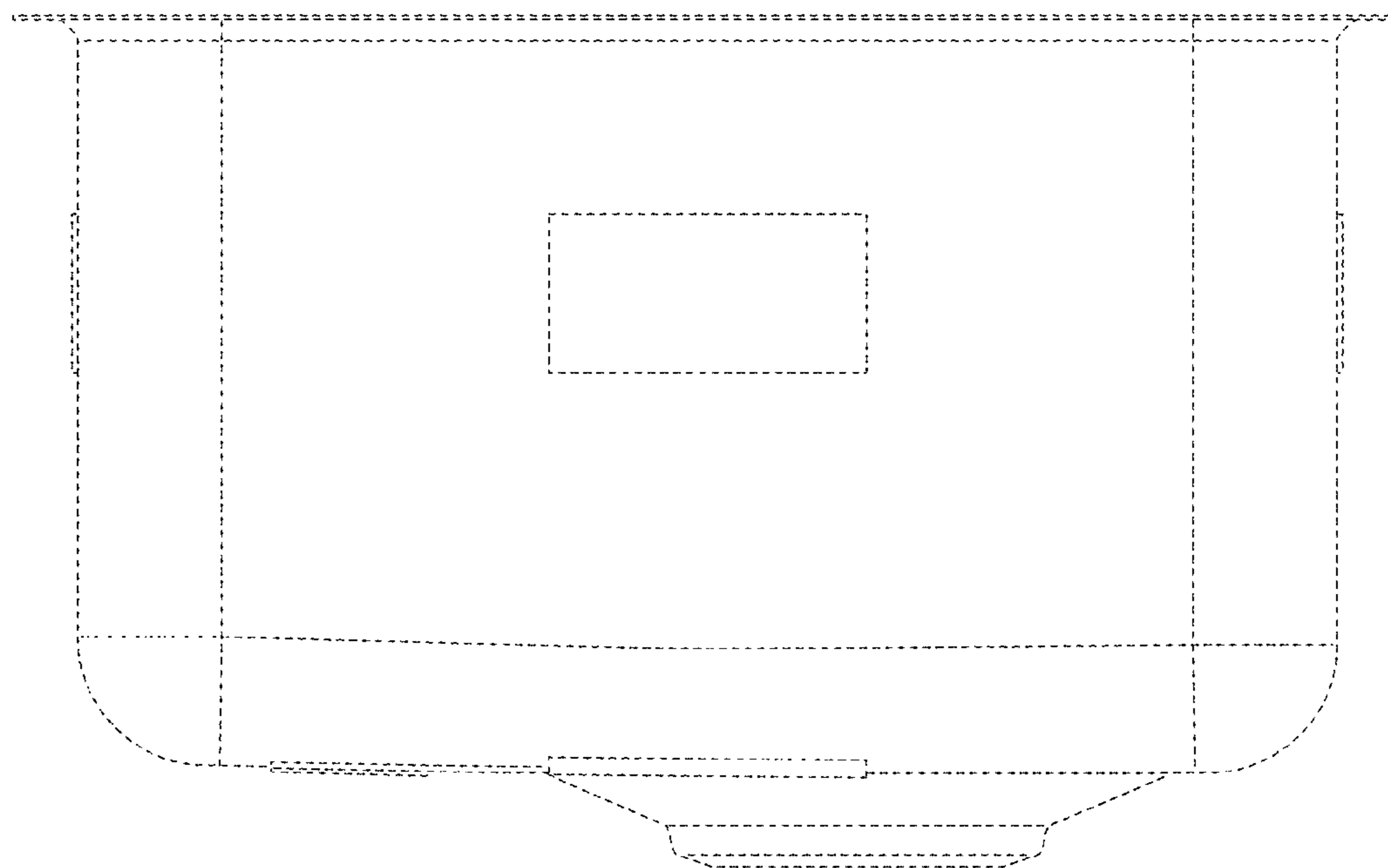


FIG. 6

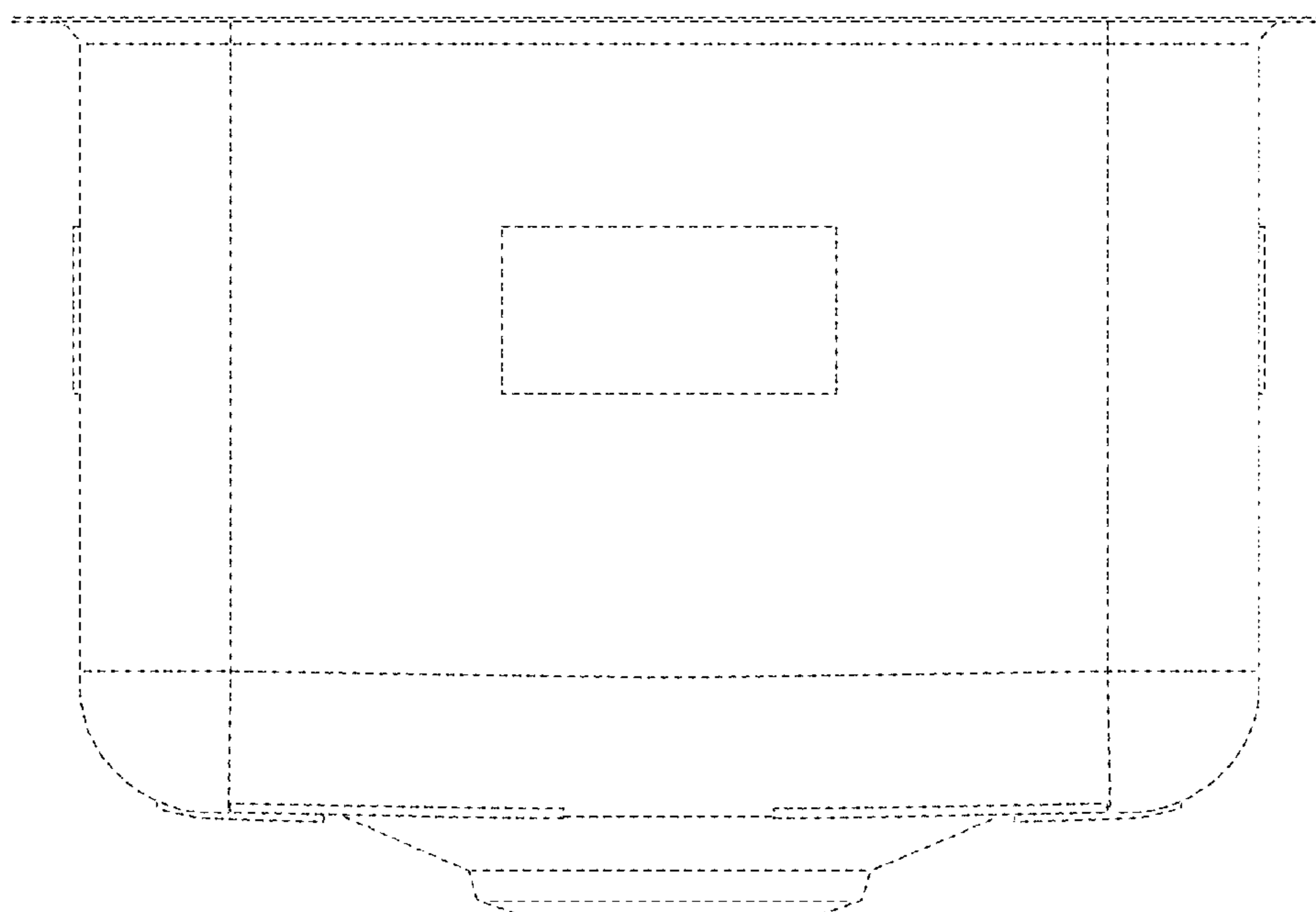


FIG. 7

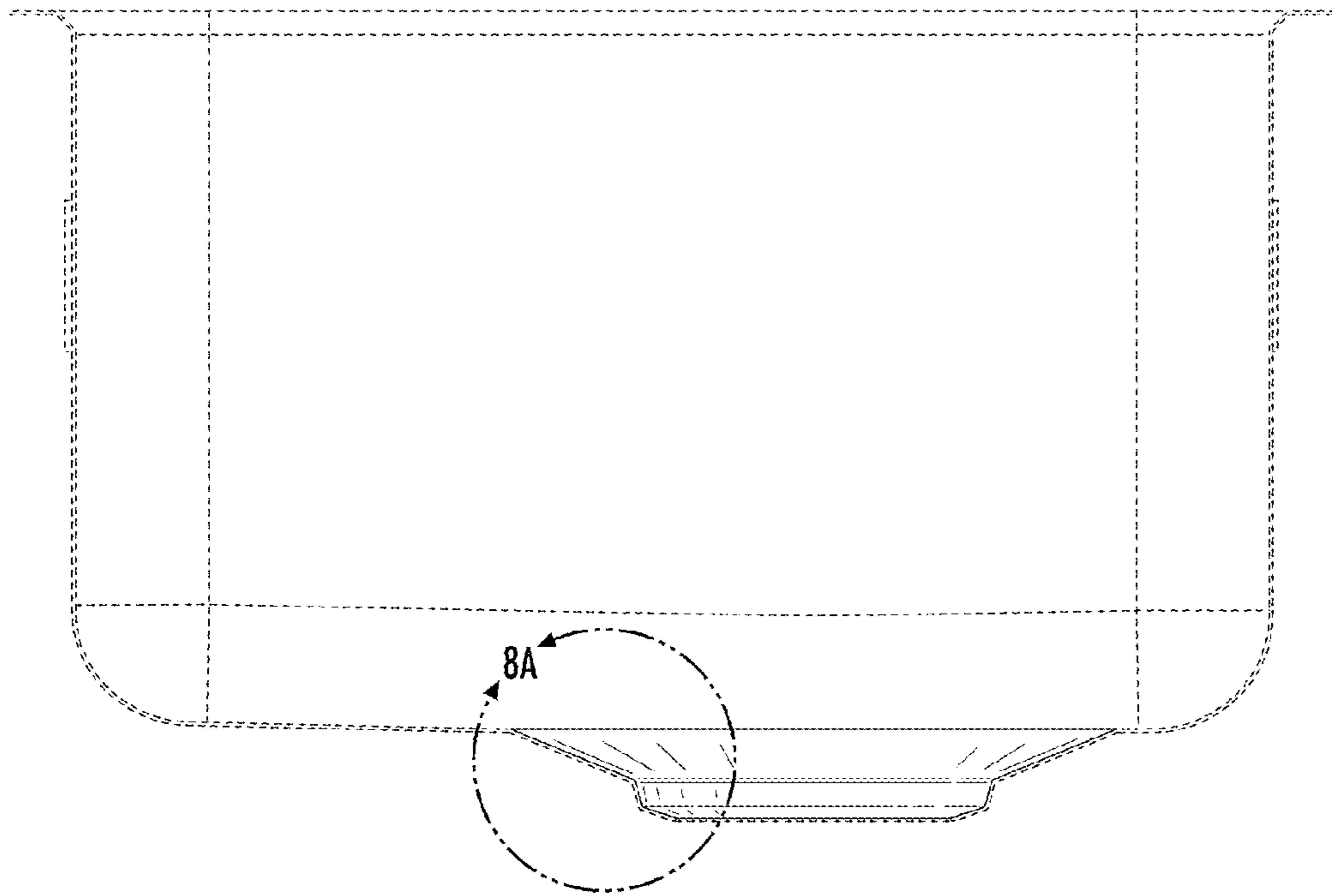


FIG. 8

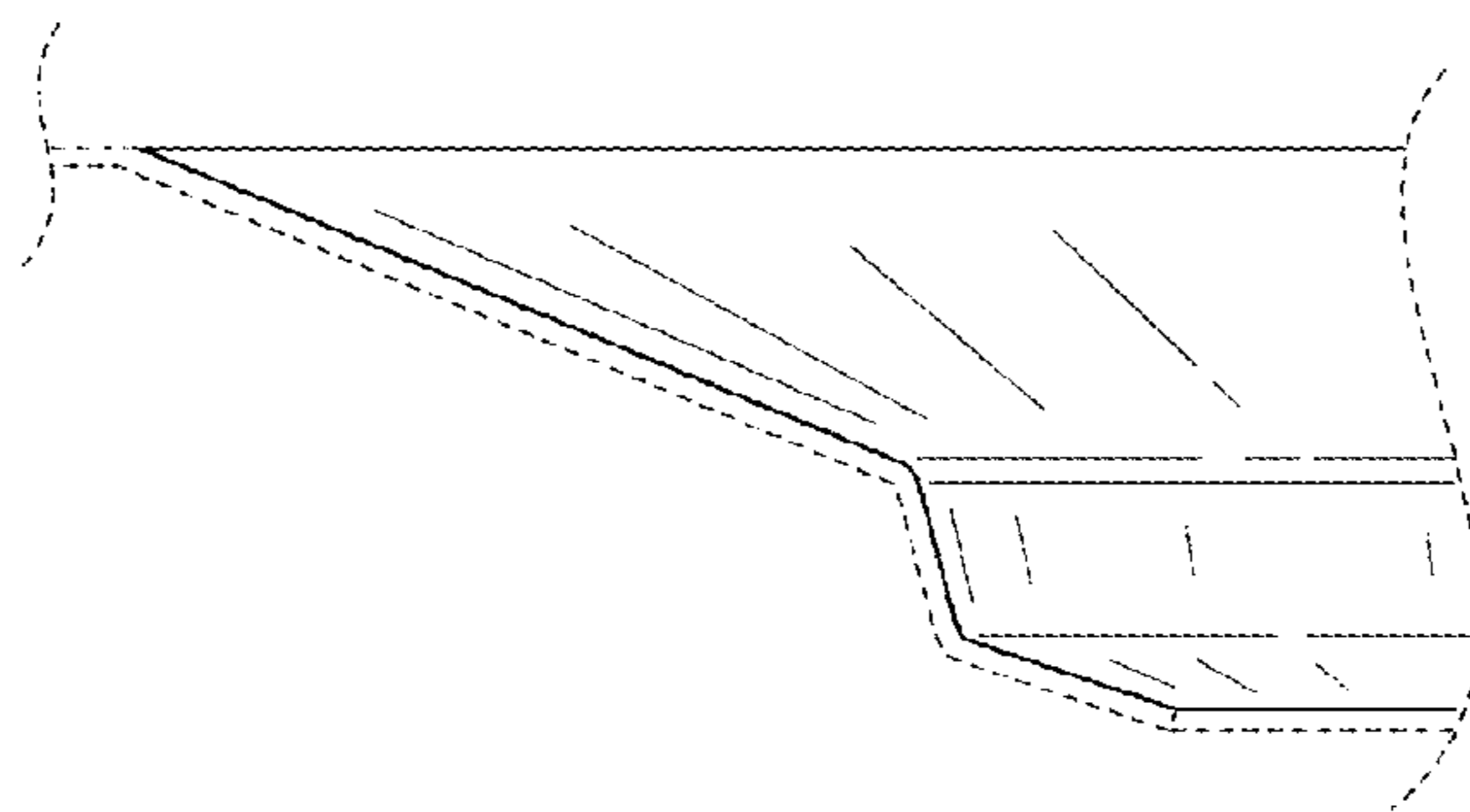


FIG. 8A

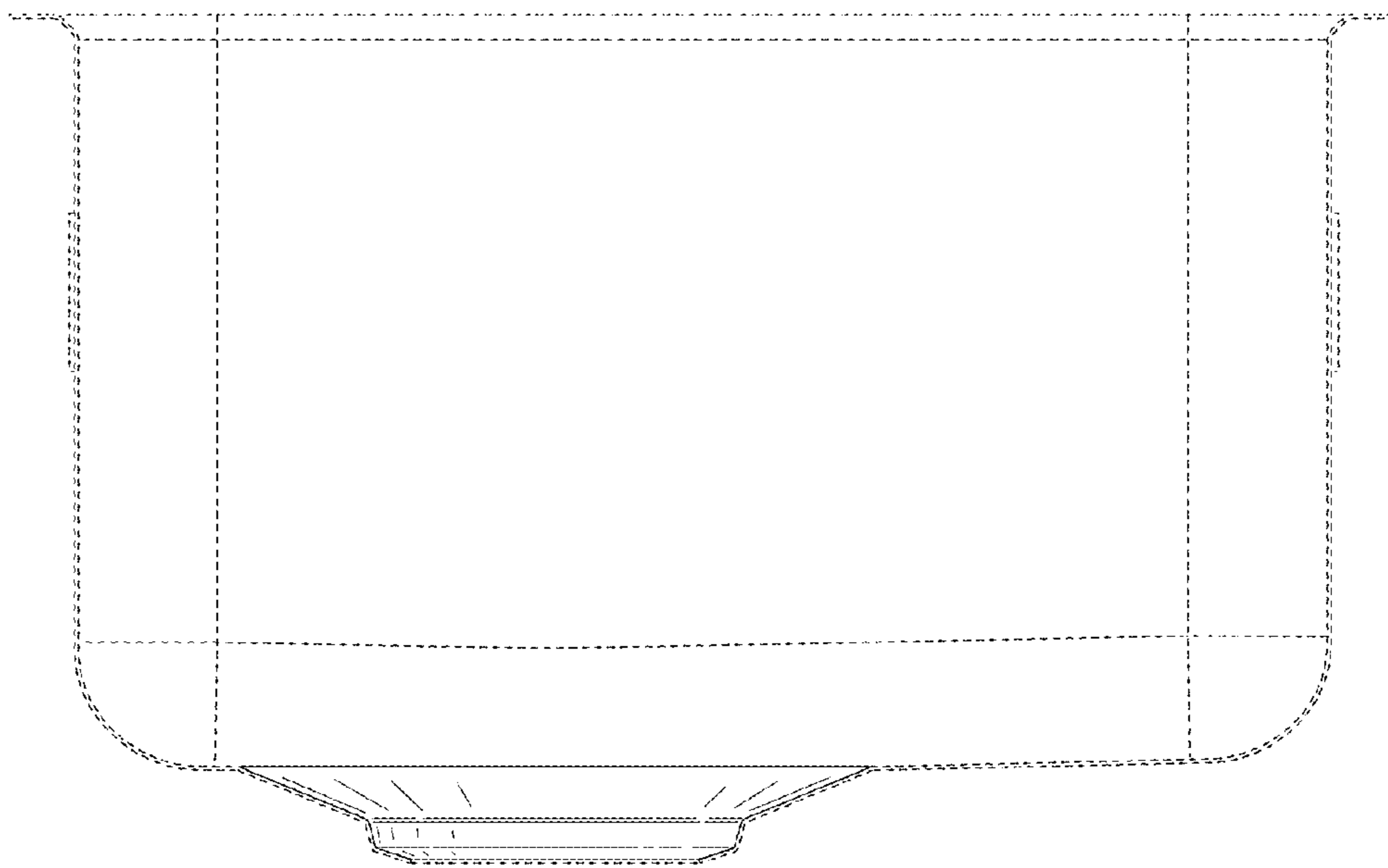


FIG. 9

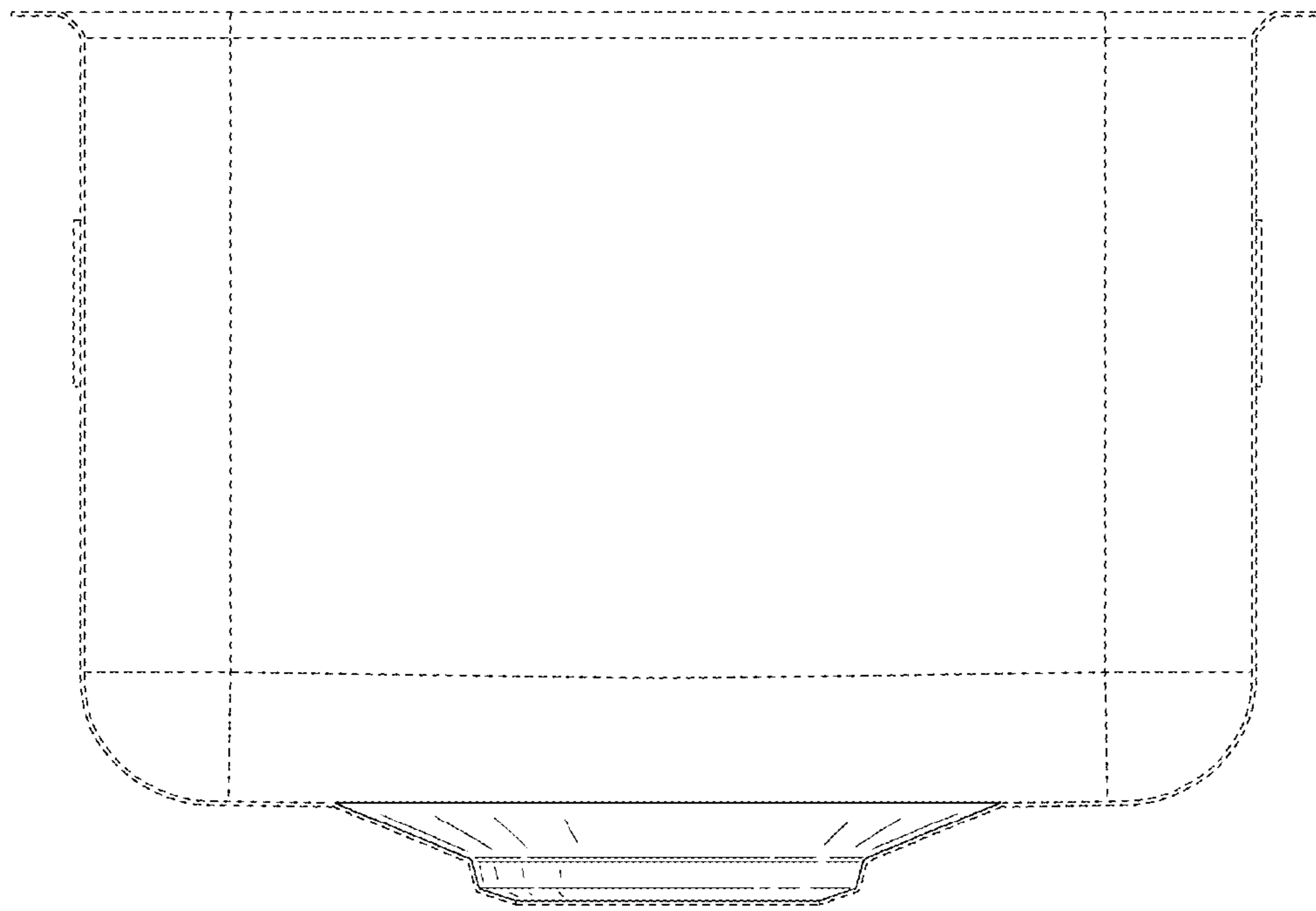


FIG. 10

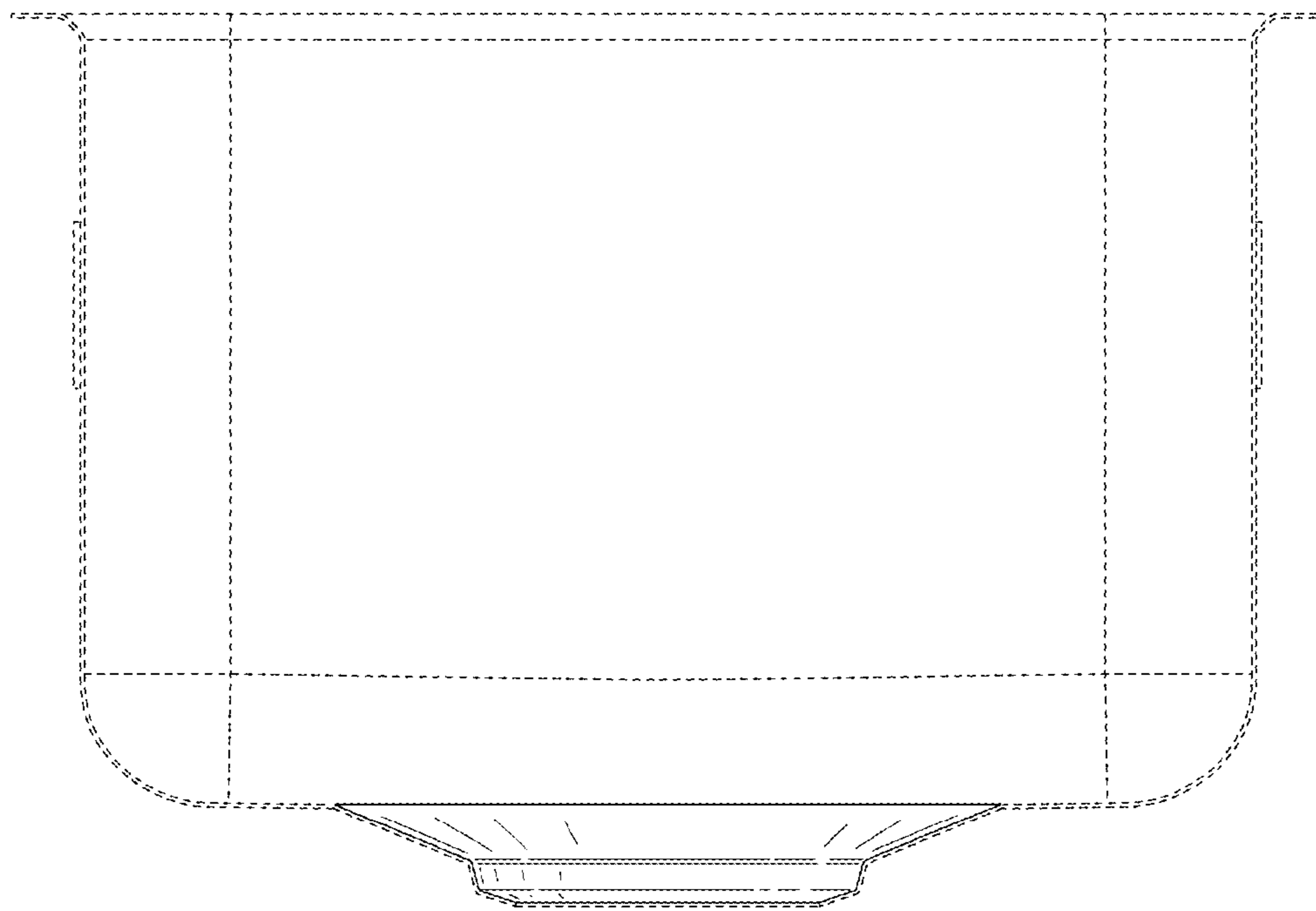


FIG. 11