



US00D703797S

(12) **United States Design Patent**  
**Shinozaki**

(10) **Patent No.:** **US D703,797 S**  
(45) **Date of Patent:** **\*\* Apr. 29, 2014**

(54) **TOILET BOWL**

FOREIGN PATENT DOCUMENTS

(71) Applicant: **LIXIL Corporation**, Tokyo (JP)

WO DM/077145 2/2011

(72) Inventor: **Masaki Shinozaki**, Tokyo (JP)

\* cited by examiner

(73) Assignee: **LIXIL Corporation**, Tokyo (JP)

*Primary Examiner* — Robert Delehanty

(74) *Attorney, Agent, or Firm* — Sughrue Mion, PLLC

(\*\*) Term: **14 Years**

(57) **CLAIM**

(21) Appl. No.: **29/465,770**

The ornamental design for a toilet bowl, as shown and described.

(22) Filed: **Aug. 30, 2013**

**DESCRIPTION**

(30) **Foreign Application Priority Data**

Mar. 8, 2013 (JP) ..... 2013-005075

(51) **LOC (10) Cl.** ..... **23-02**

(52) **U.S. Cl.**  
USPC ..... **D23/300**

(58) **Field of Classification Search**  
USPC ..... D23/295, 301, 303, 309, 313, 300;  
4/300, 420

See application file for complete search history.

(56) **References Cited**

U.S. PATENT DOCUMENTS

D354,341 S \* 1/1995 Kohler et al. .... D23/300  
D620,566 S \* 7/2010 Ogata et al. .... D23/301  
D621,487 S \* 8/2010 Toyohara ..... D23/300  
D672,854 S \* 12/2012 Inoue et al. .... D23/309

FIG. 1 is a perspective view of a toilet bowl.  
FIG. 2 is a top plan view thereof.  
FIG. 3 is a bottom plan view thereof.  
FIG. 4 is a front elevation view thereof.  
FIG. 5 is a rear elevation view thereof.  
FIG. 6 is a left side elevation view thereof. A right side elevation view is a mirror image of the left side elevation view.  
FIG. 7 is a cross-sectional view across the line 7-7 in FIG. 2.  
FIG. 8 is a cross-sectional view across the line 8-8 in FIG. 2.  
FIG. 9 is a cross-sectional view across the line 9-9 in FIG. 6; and,  
FIG. 10 is a referential view showing use thereof.  
The portions shown in broken lines in FIG. 10 are for the purpose of showing environmental structure only and form no part of the claimed design.

**1 Claim, 10 Drawing Sheets**

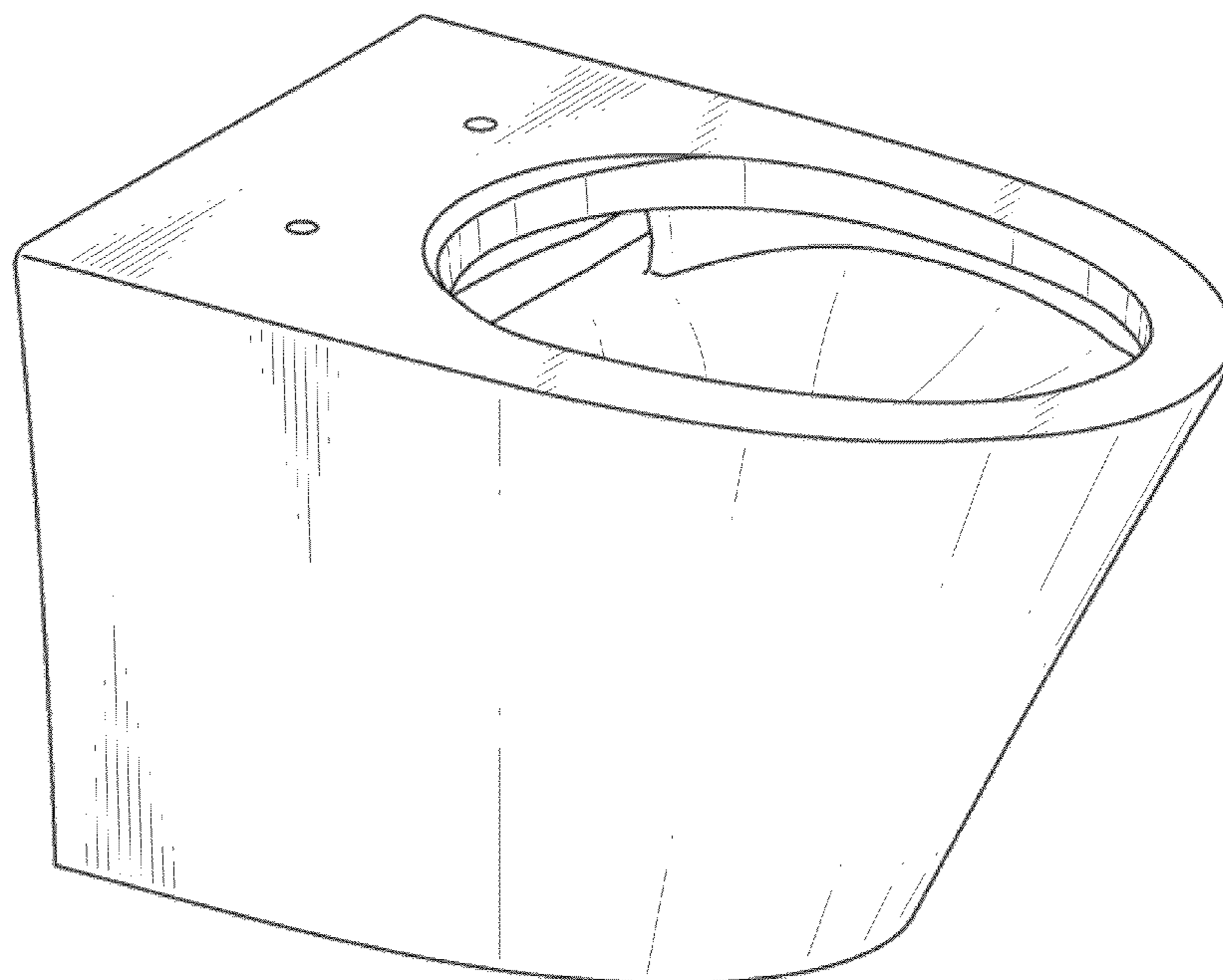


FIG. 1

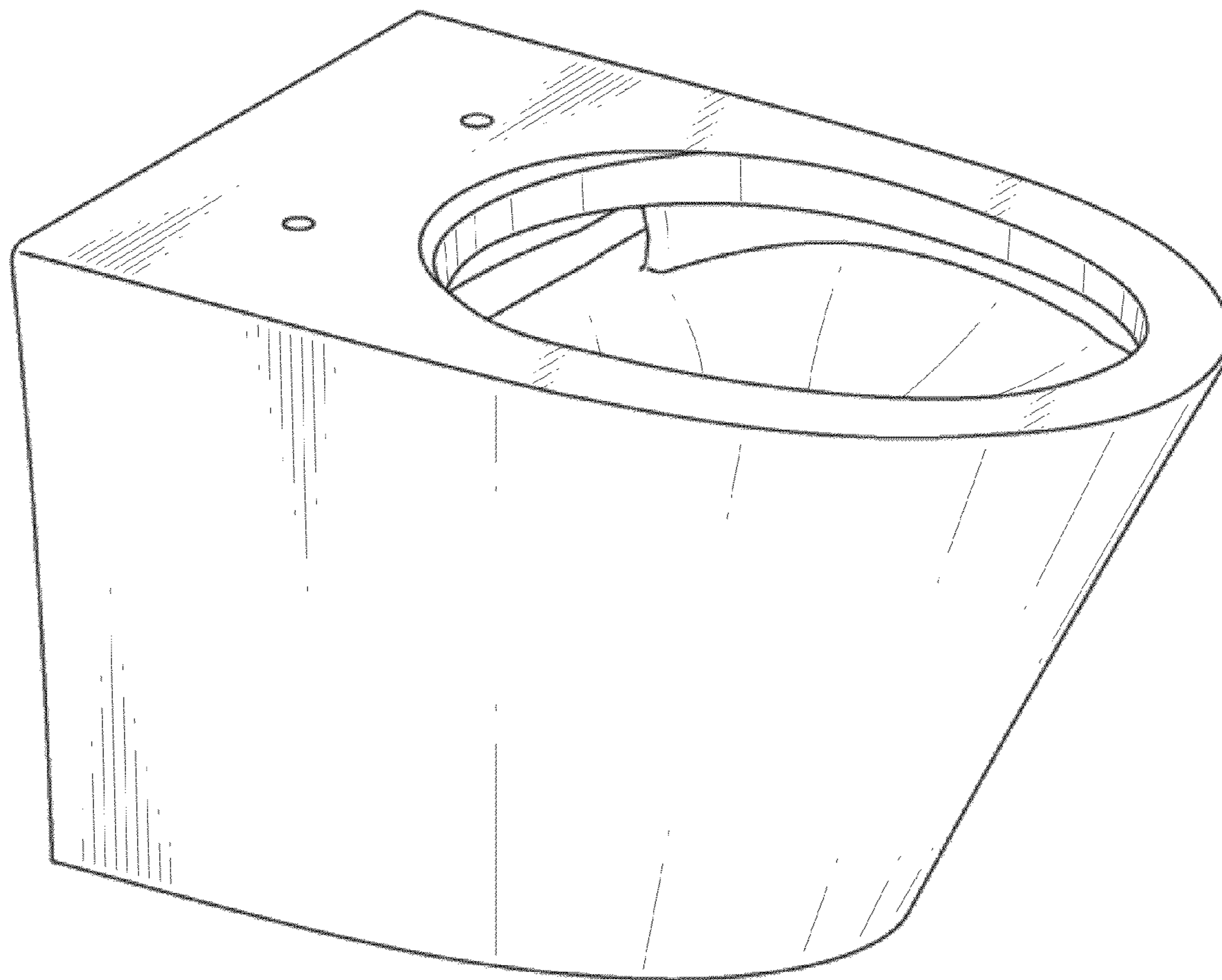


FIG. 2

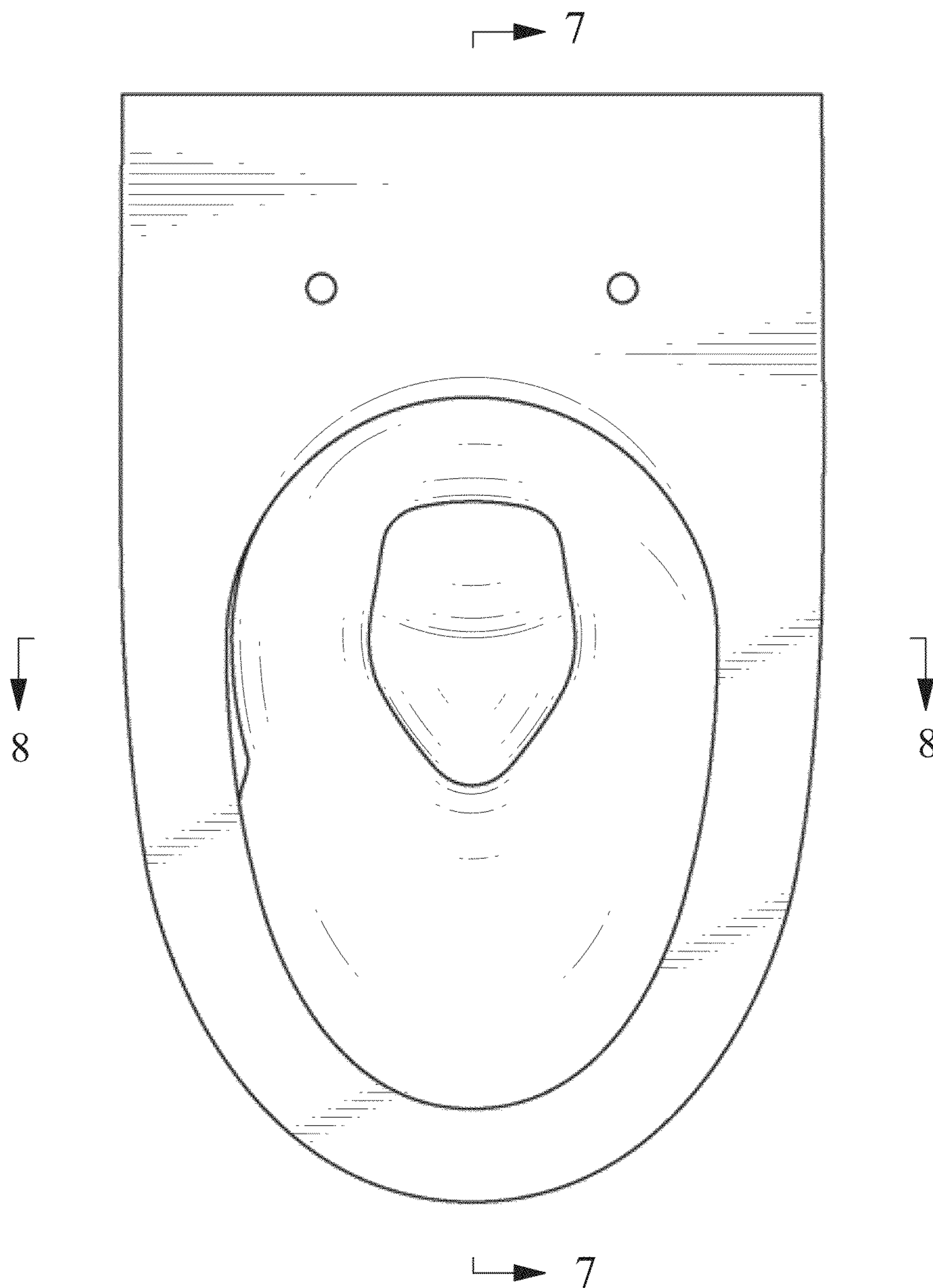


FIG. 3

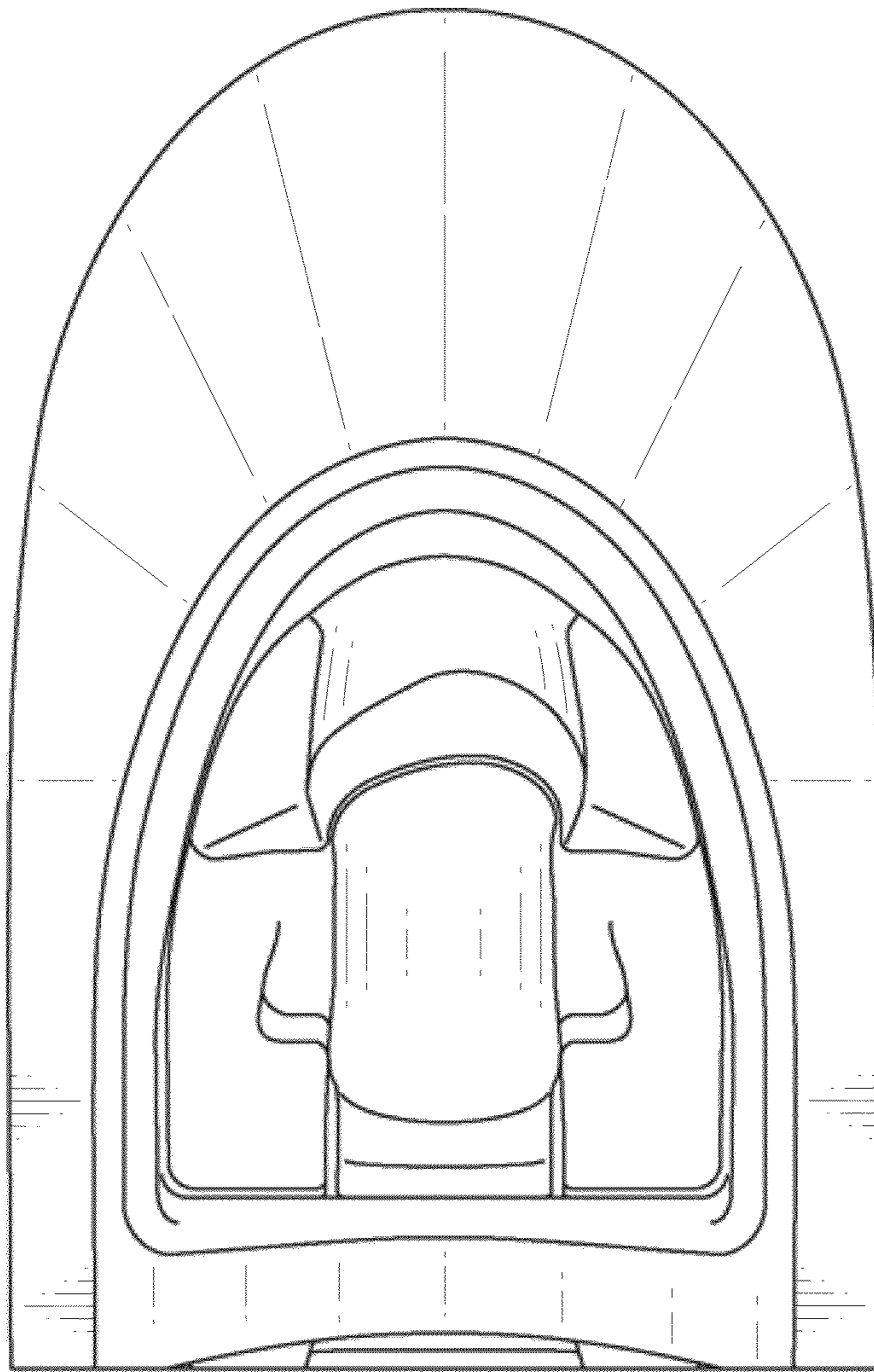


FIG. 4

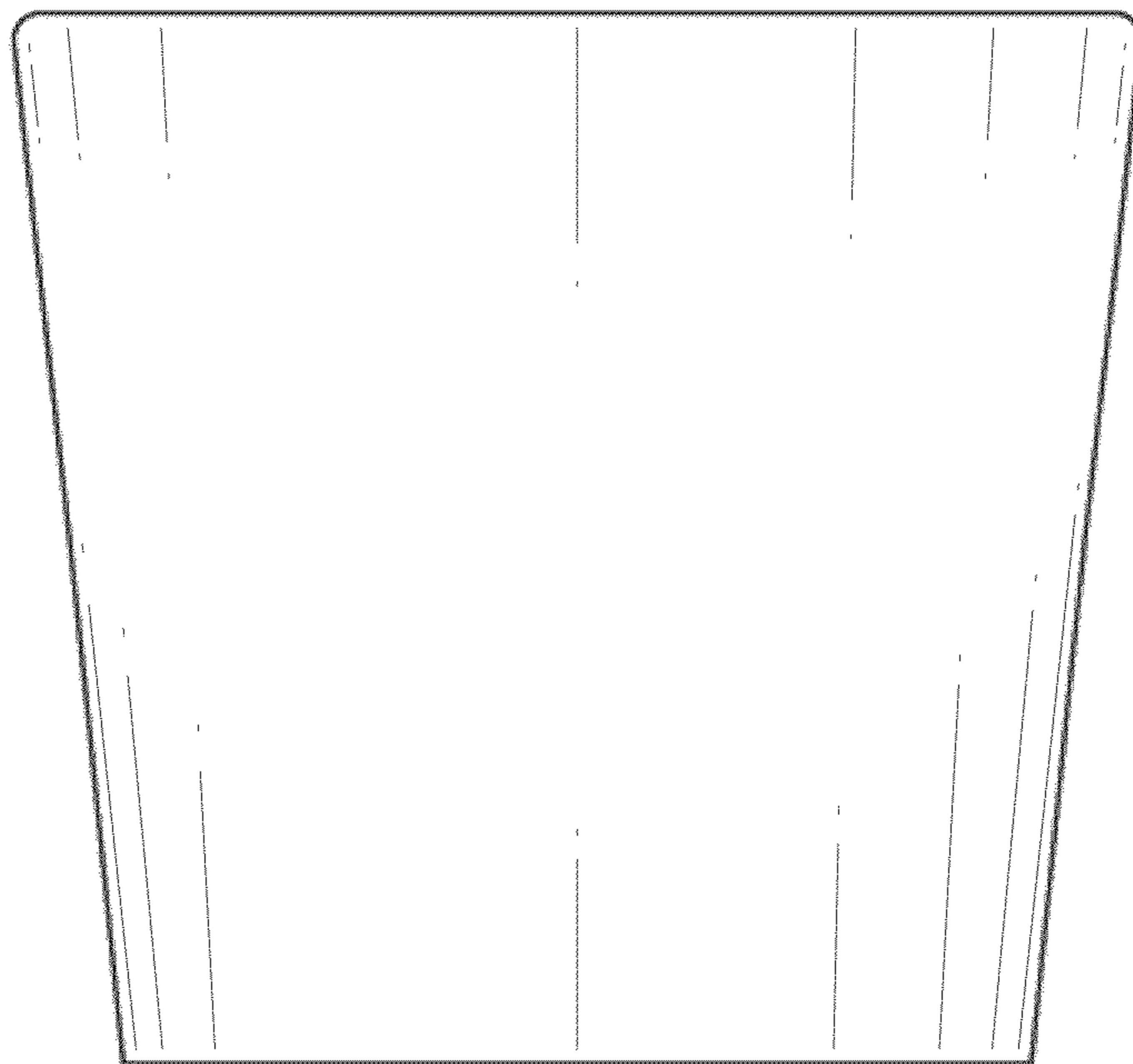


FIG. 5

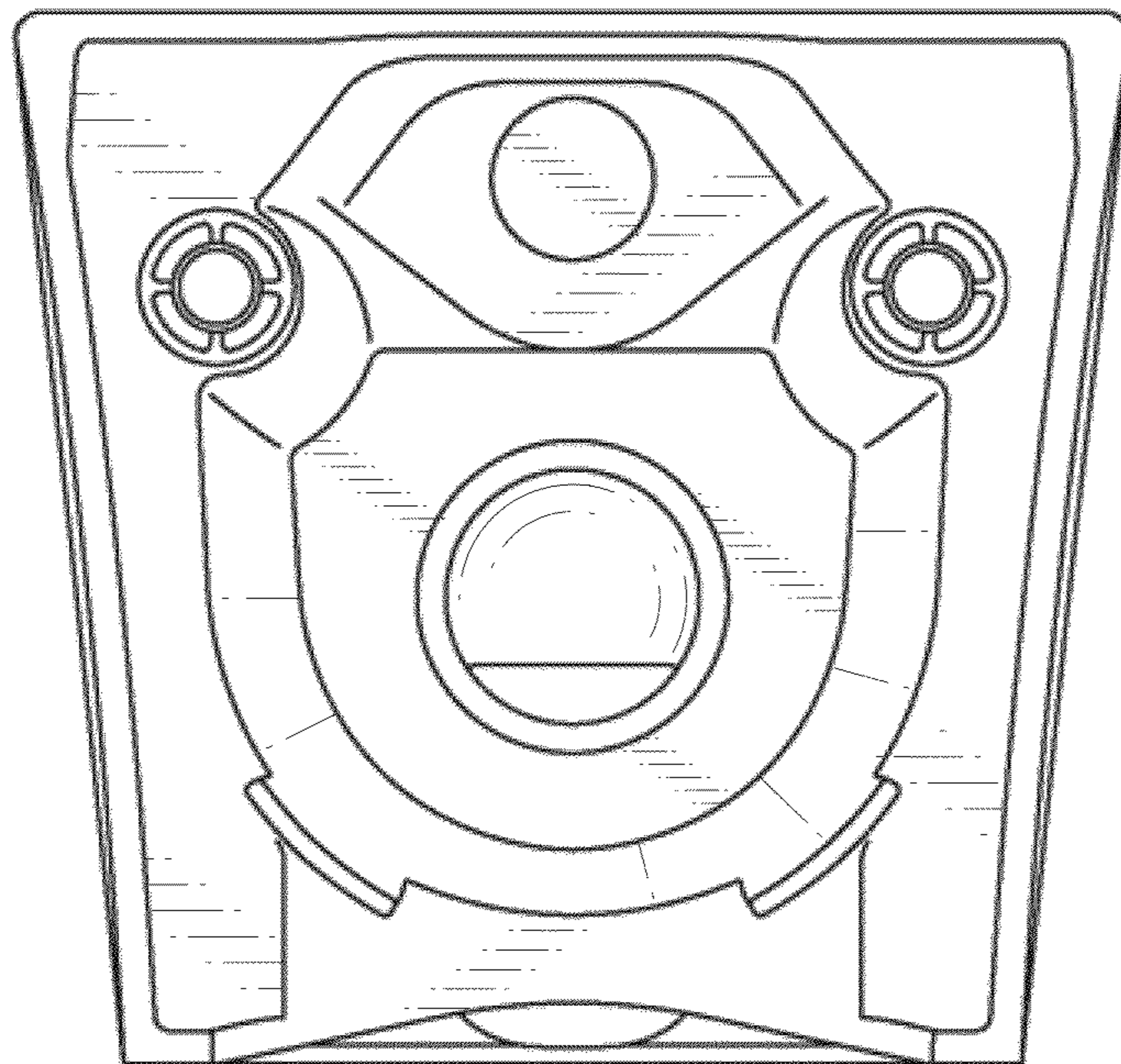


FIG. 6

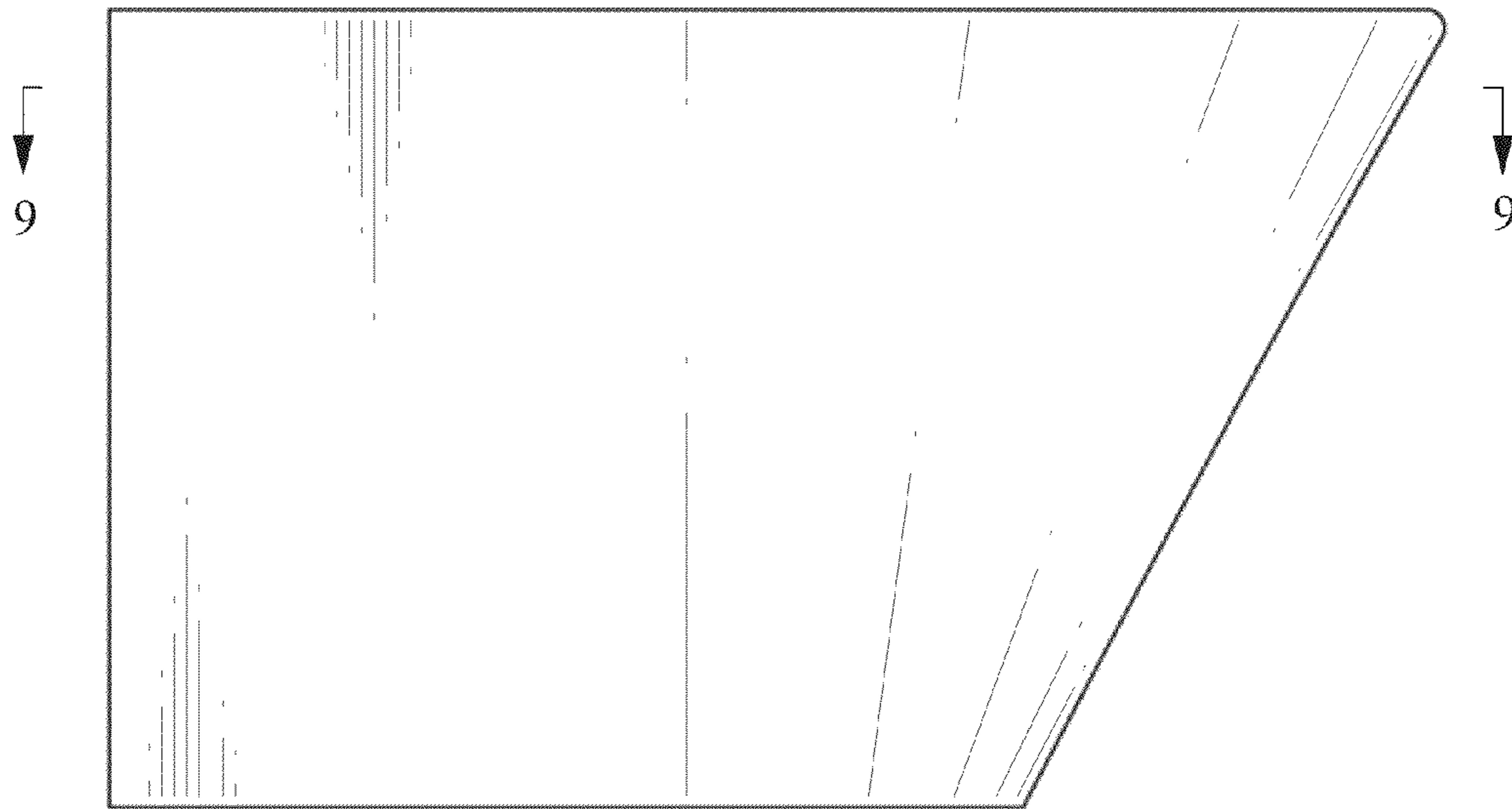


FIG. 7

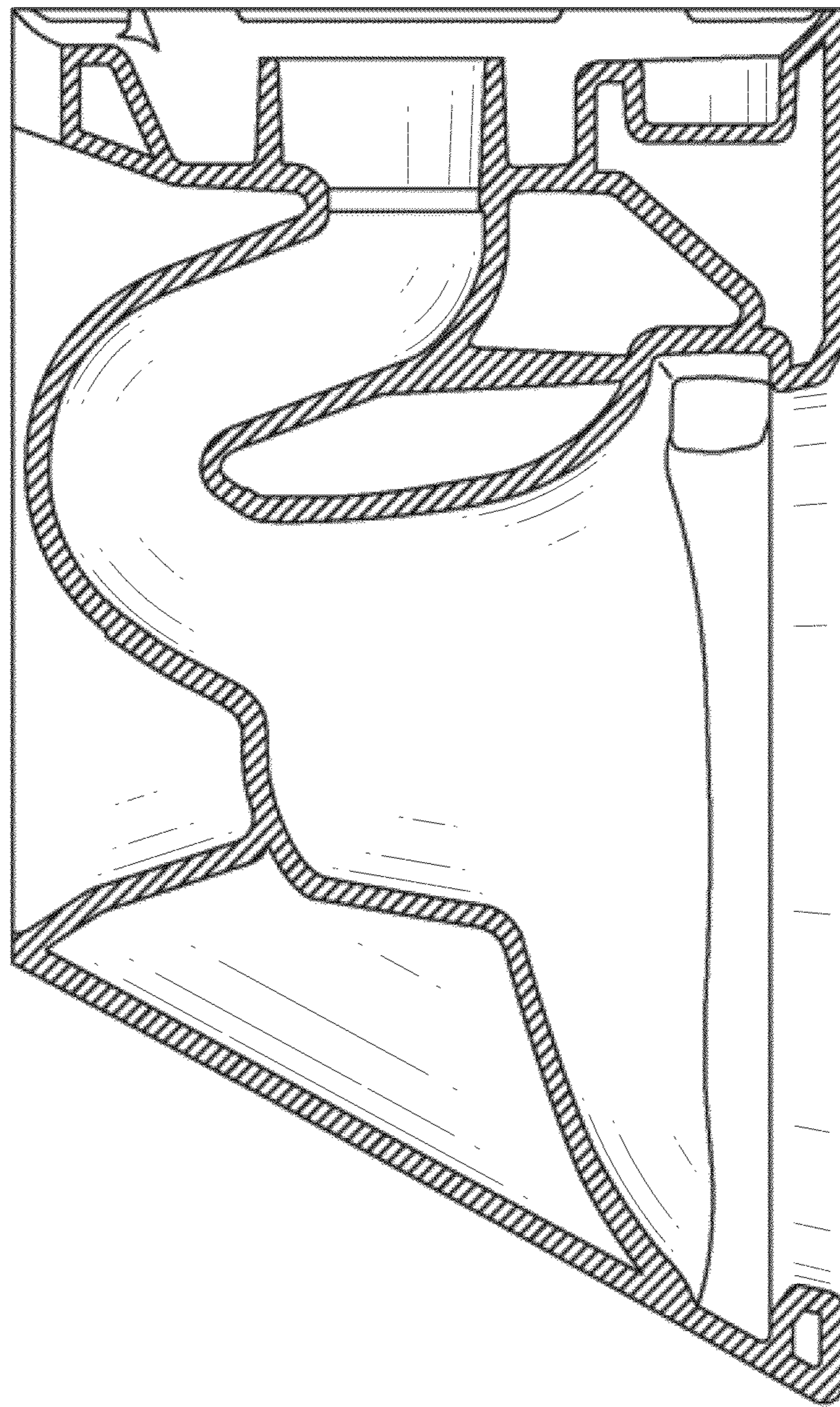




FIG. 8

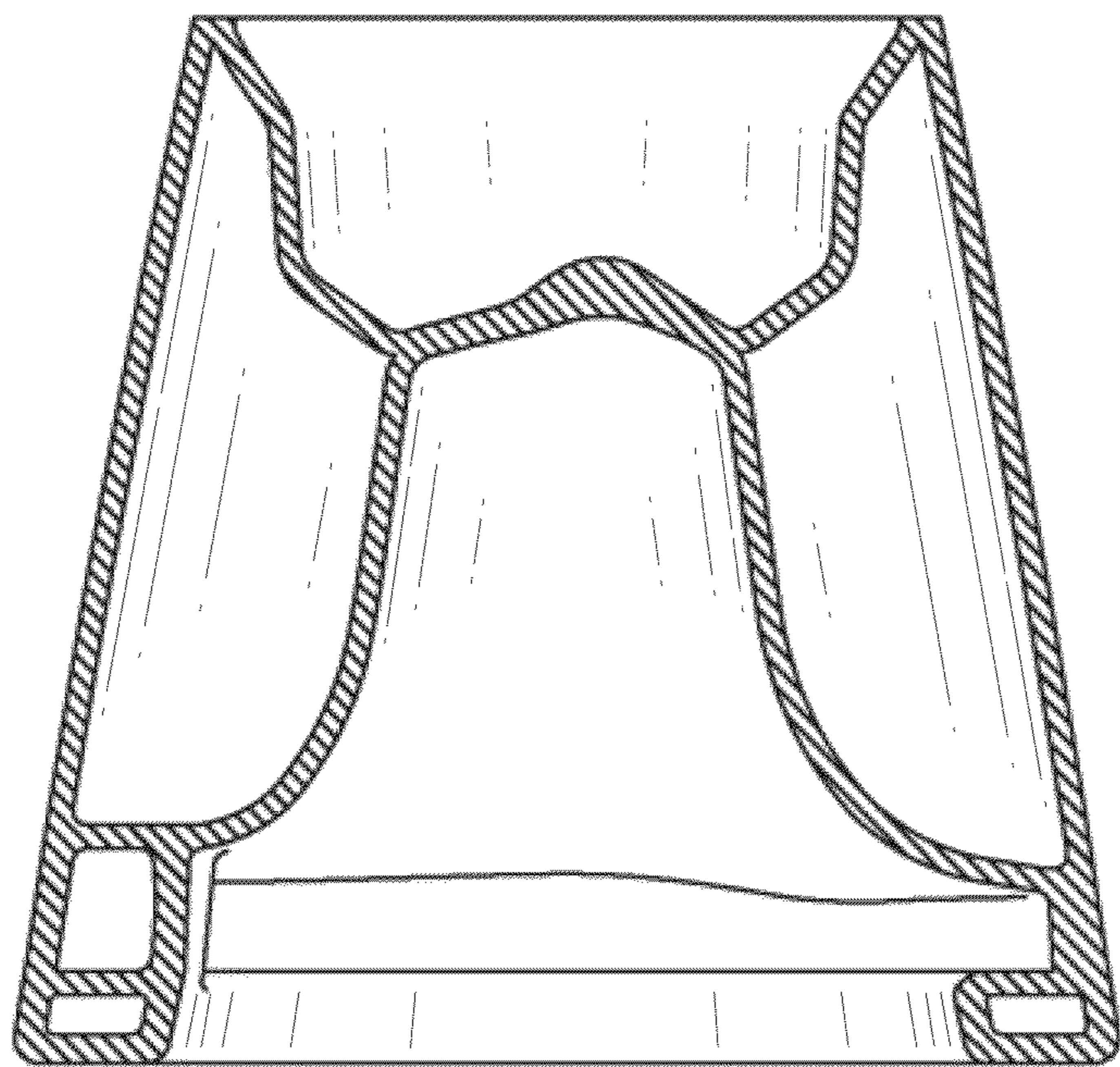


FIG. 9

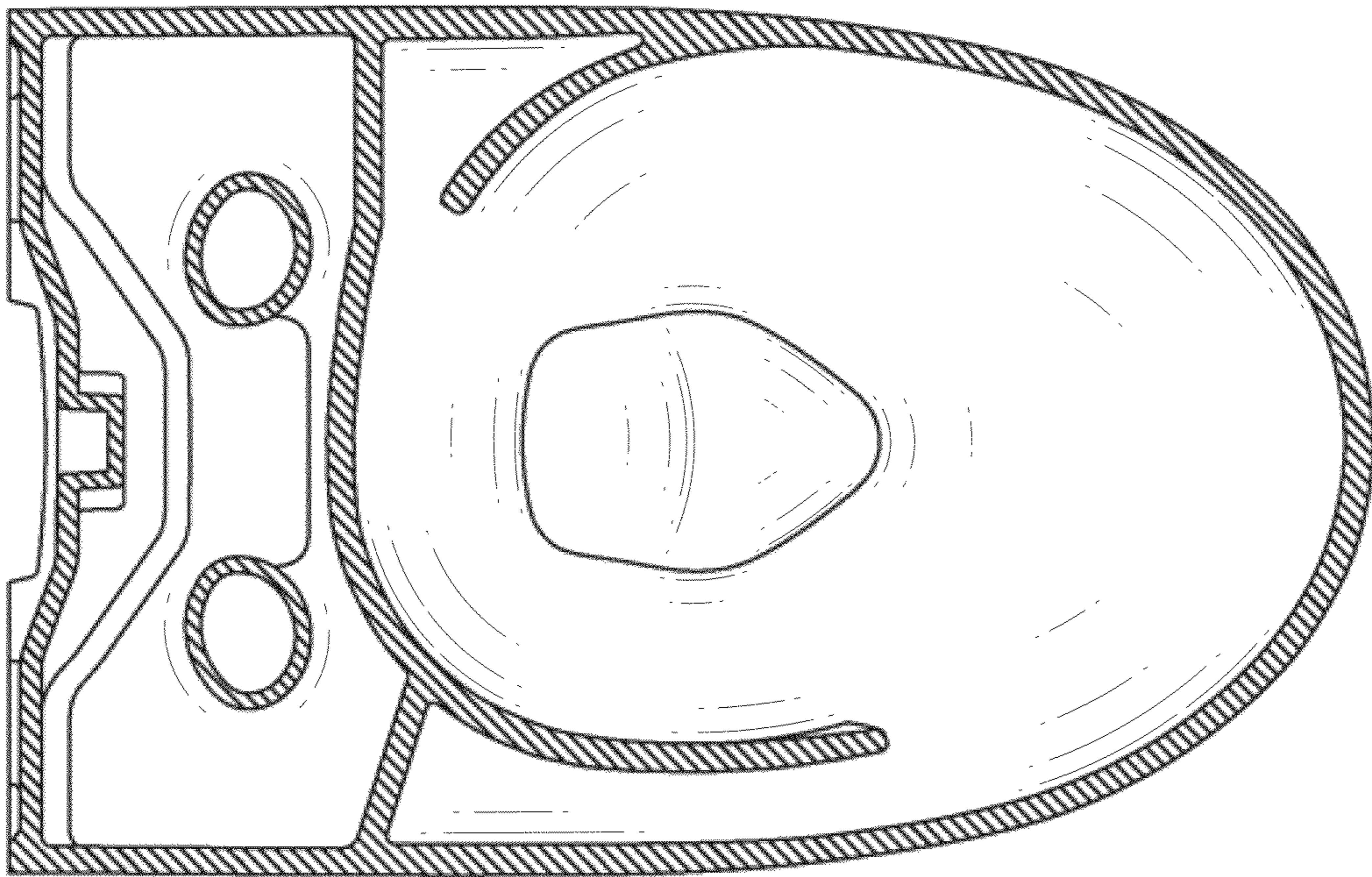


FIG. 10

