



US00D703796S

(12) **United States Design Patent**
McKeone et al.

(10) **Patent No.:** **US D703,796 S**
(45) **Date of Patent:** **** Apr. 29, 2014**

(54) **TOILET**

(71) Applicant: **Kohler Co.**, Kohler, WI (US)

(72) Inventors: **William C. McKeone**, Sheboygan, WI (US); **Jill Hundley**, Sheboygan, WI (US)

(73) Assignee: **Kohler Co.**, Kohler, WI (US)

(**) Term: **14 Years**

(21) Appl. No.: **29/451,616**

(22) Filed: **Apr. 4, 2013**

(51) **LOC (10) Cl.** **23-02**

(52) **U.S. Cl.**
USPC **D23/300**

(58) **Field of Classification Search**
USPC D23/295, 300, 303, 309; 4/300, 420
See application file for complete search history.

(56) **References Cited**

U.S. PATENT DOCUMENTS

D354,341 S *	1/1995	Kohler et al.	D23/300
D621,487 S *	8/2010	Toyohara	D23/300
D653,315 S *	1/2012	Yoshioka	D23/301

* cited by examiner

Primary Examiner — Robert Delehanty

(74) *Attorney, Agent, or Firm* — Foley & Lardner LLP

(57) **CLAIM**

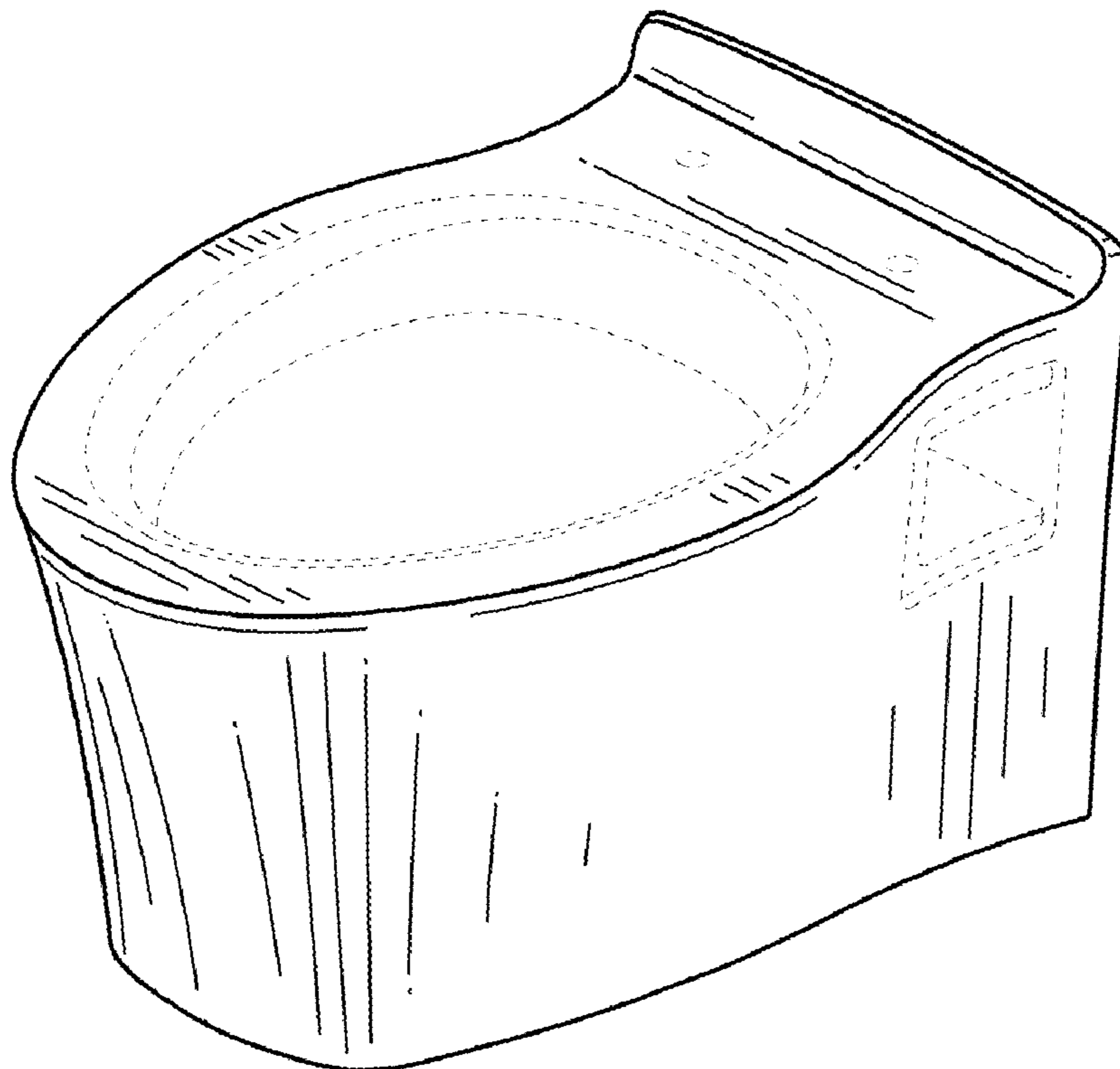
We claim the ornamental design for a toilet, as shown and described.

DESCRIPTION

FIG. 1 is a perspective view of an embodiment of the claimed design;
FIG. 2 is a side view of the embodiment of the claimed design shown in FIG. 1;
FIG. 3 is another side view of the embodiment of the claimed design shown in FIG. 1;
FIG. 4 is a front view of the embodiment of the claimed design shown in FIG. 1;
FIG. 5 is a rear view of the embodiment of the claimed design shown in FIG. 1;
FIG. 6 is a top view of the embodiment of the claimed design shown in FIG. 1; and,
FIG. 7 is a bottom view of the embodiment of the claimed design shown in FIG. 1.

The ornamental design which is claimed is shown in solid lines in the drawings. The broken lines in the drawings are for illustrative purposes only and form no part of the claimed design.

1 Claim, 4 Drawing Sheets



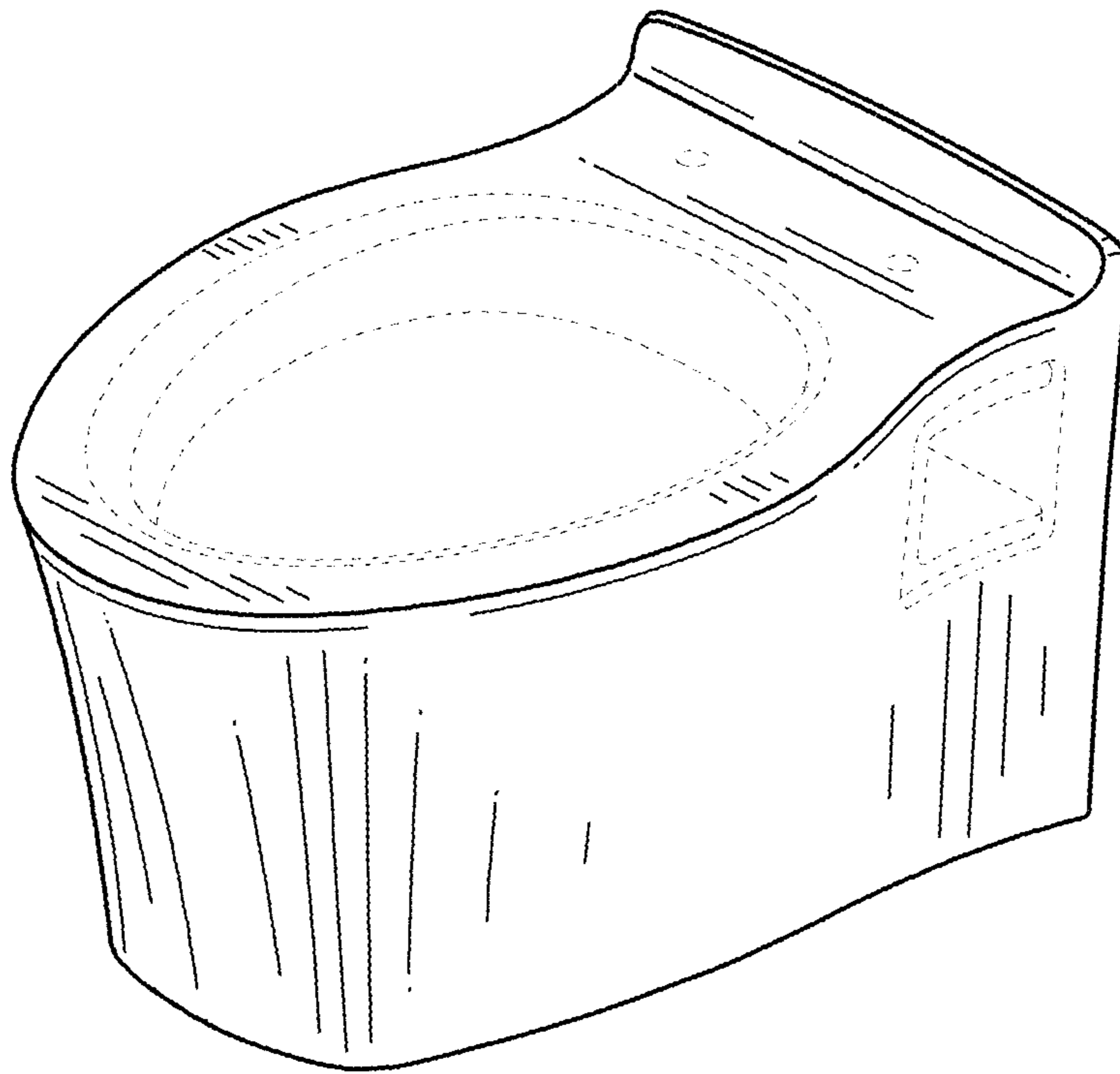


FIG. 1

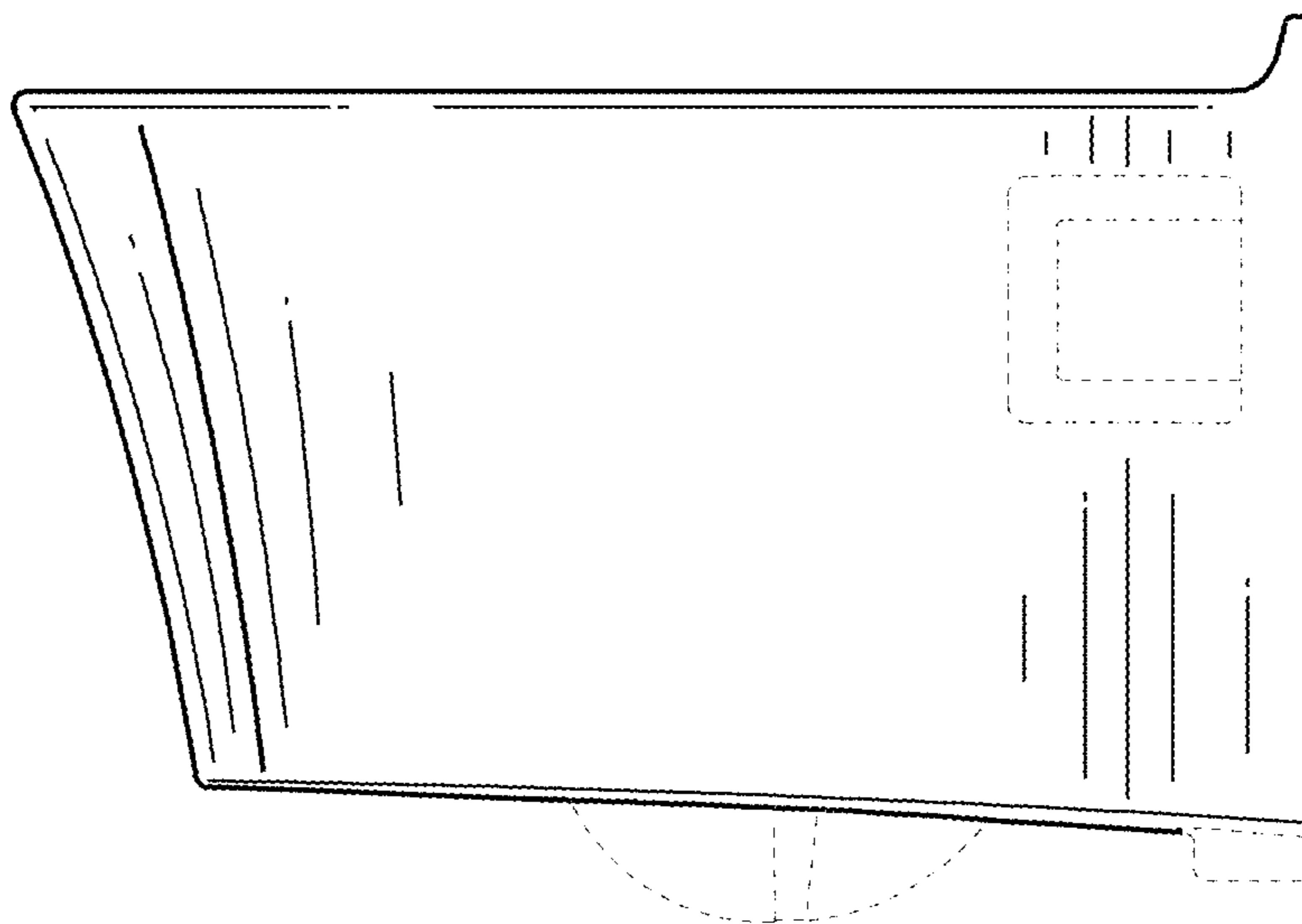


FIG. 2

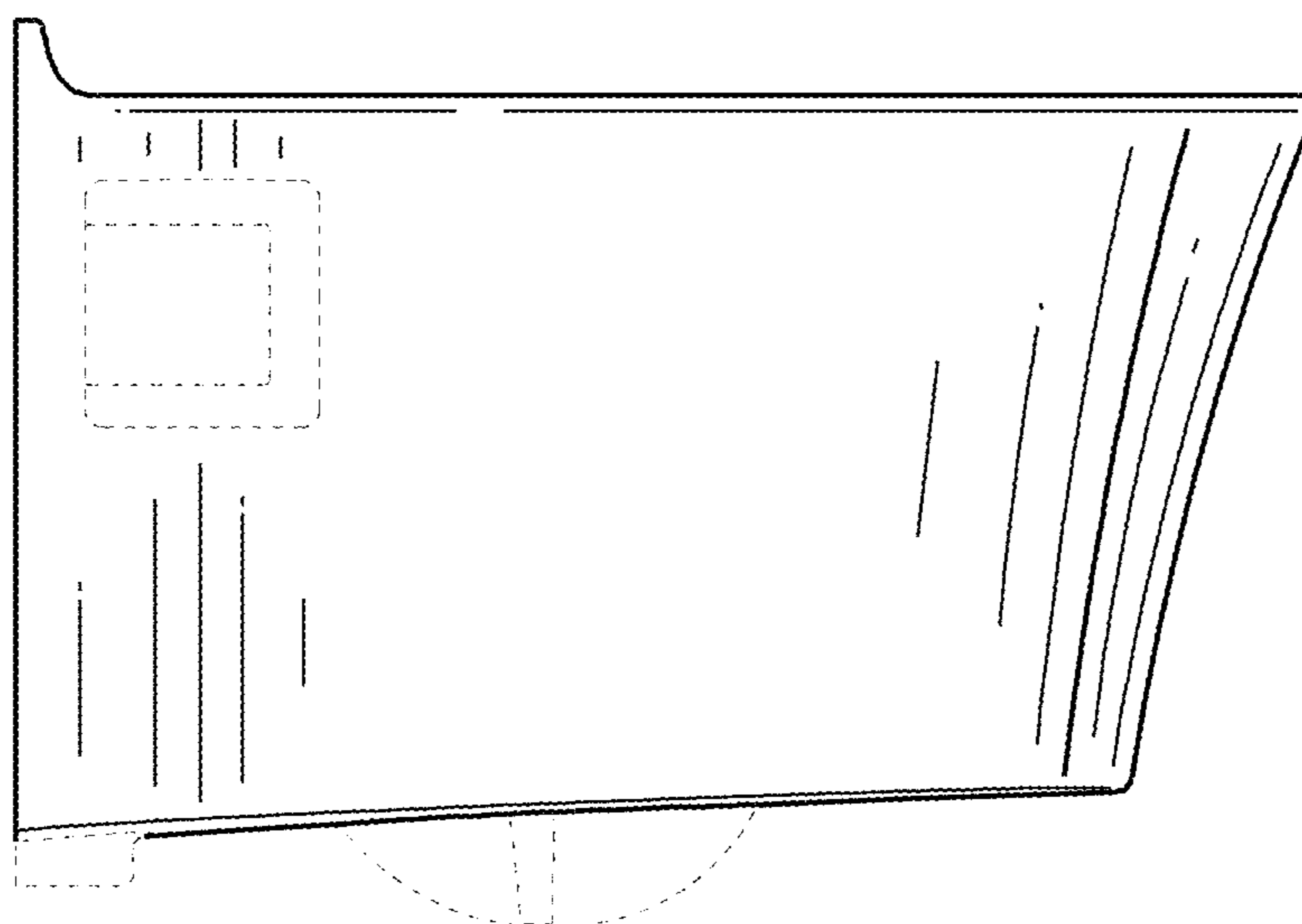


FIG. 3

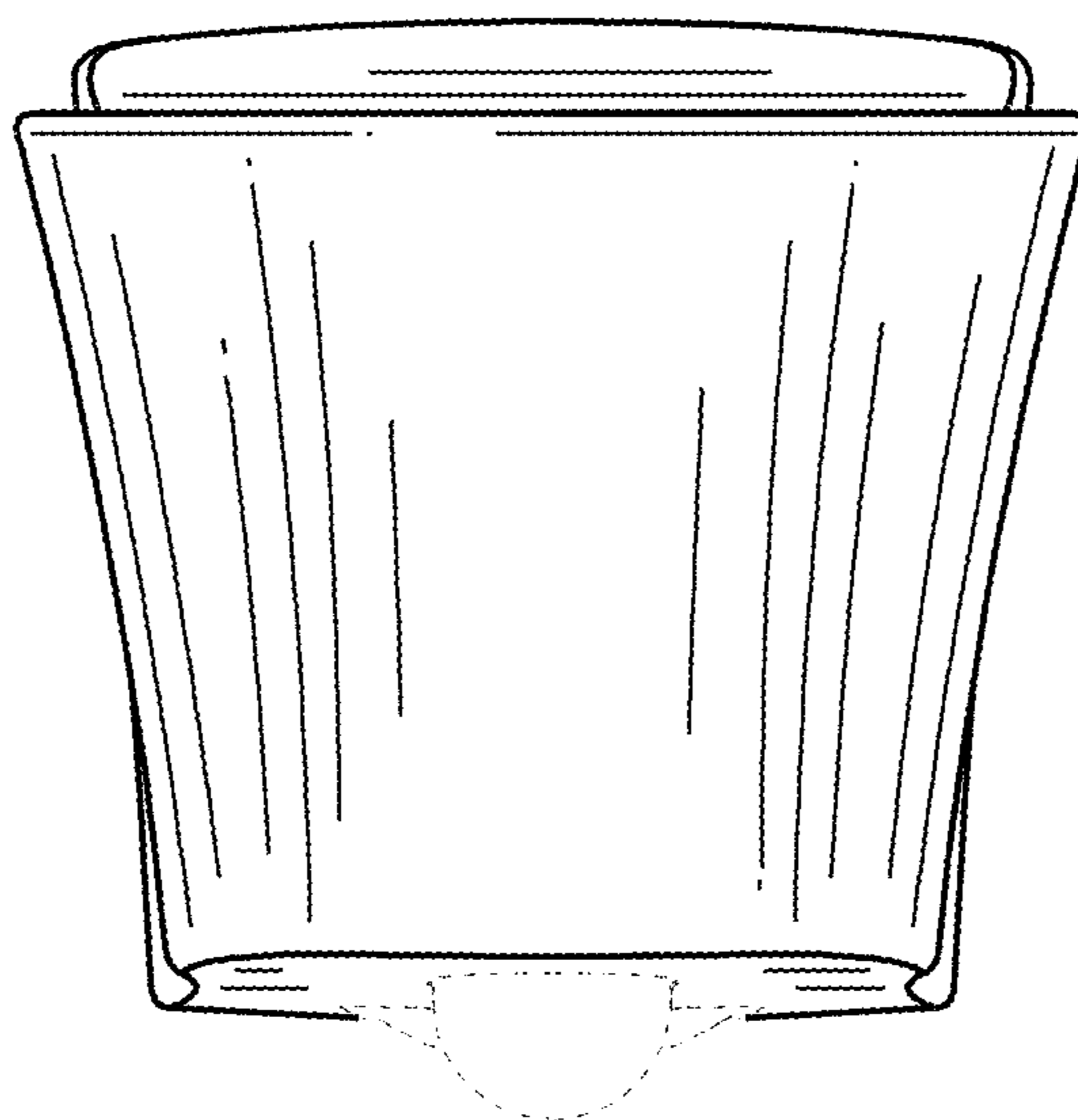


FIG. 4

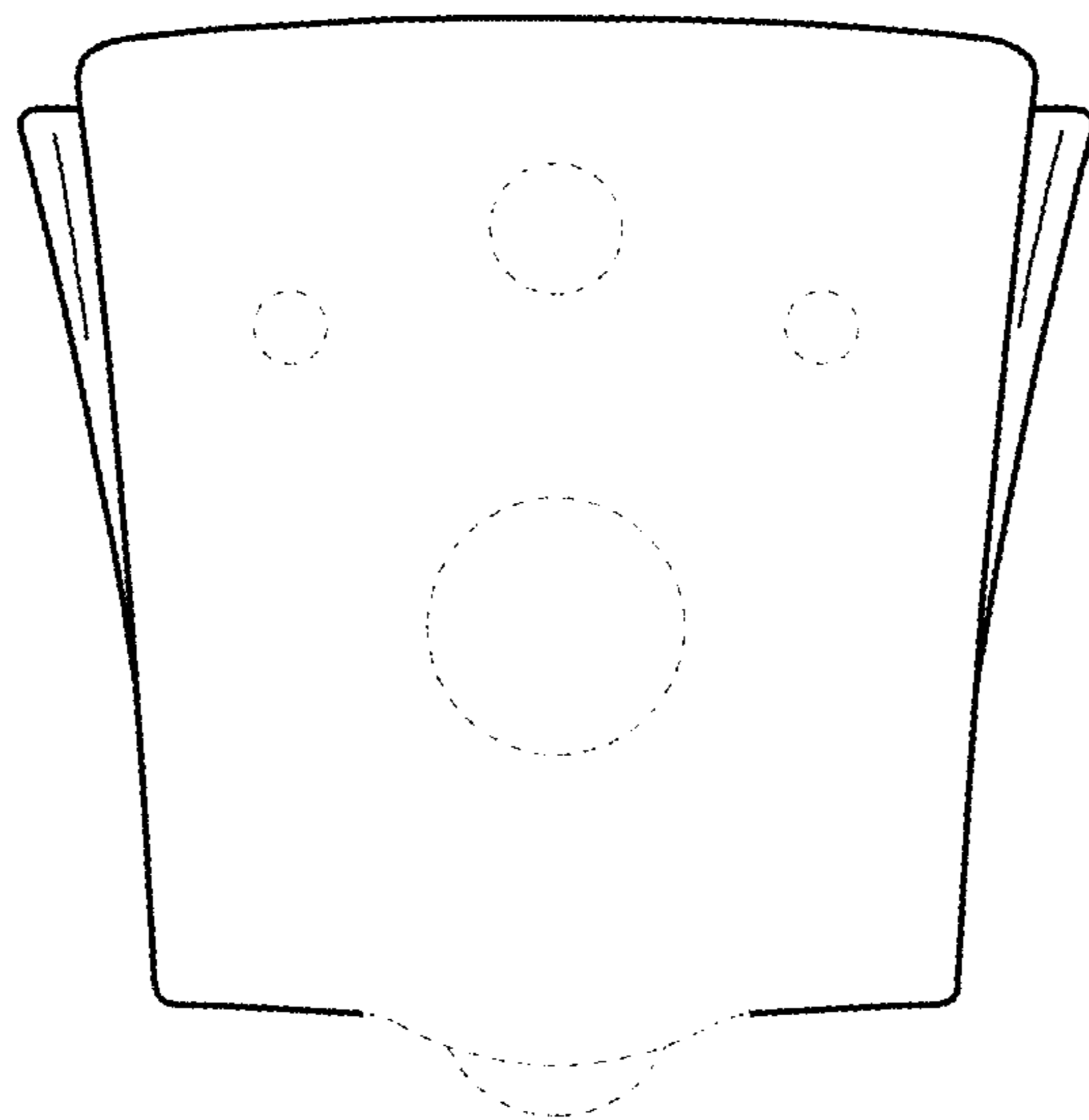


FIG. 5

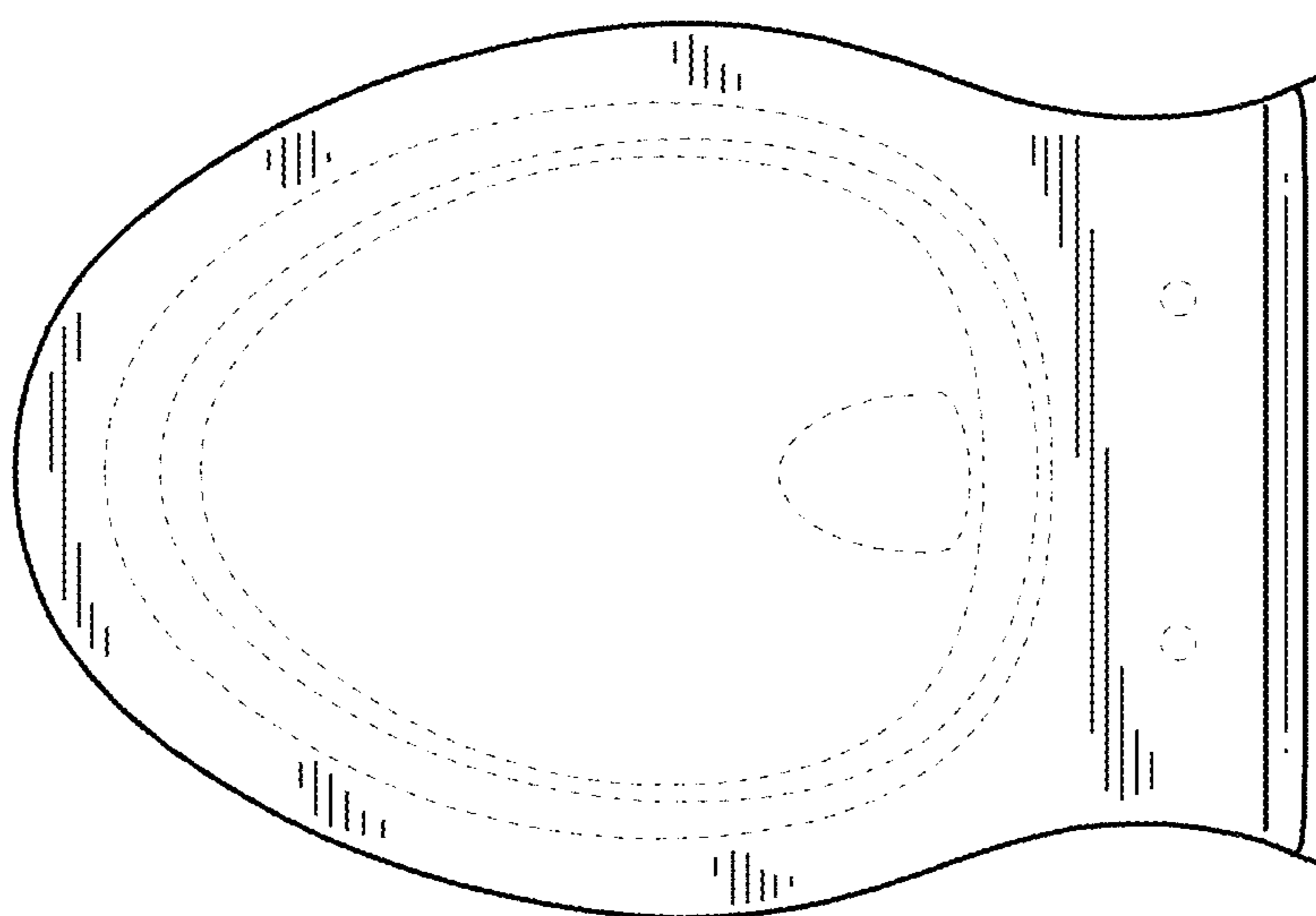


FIG. 6

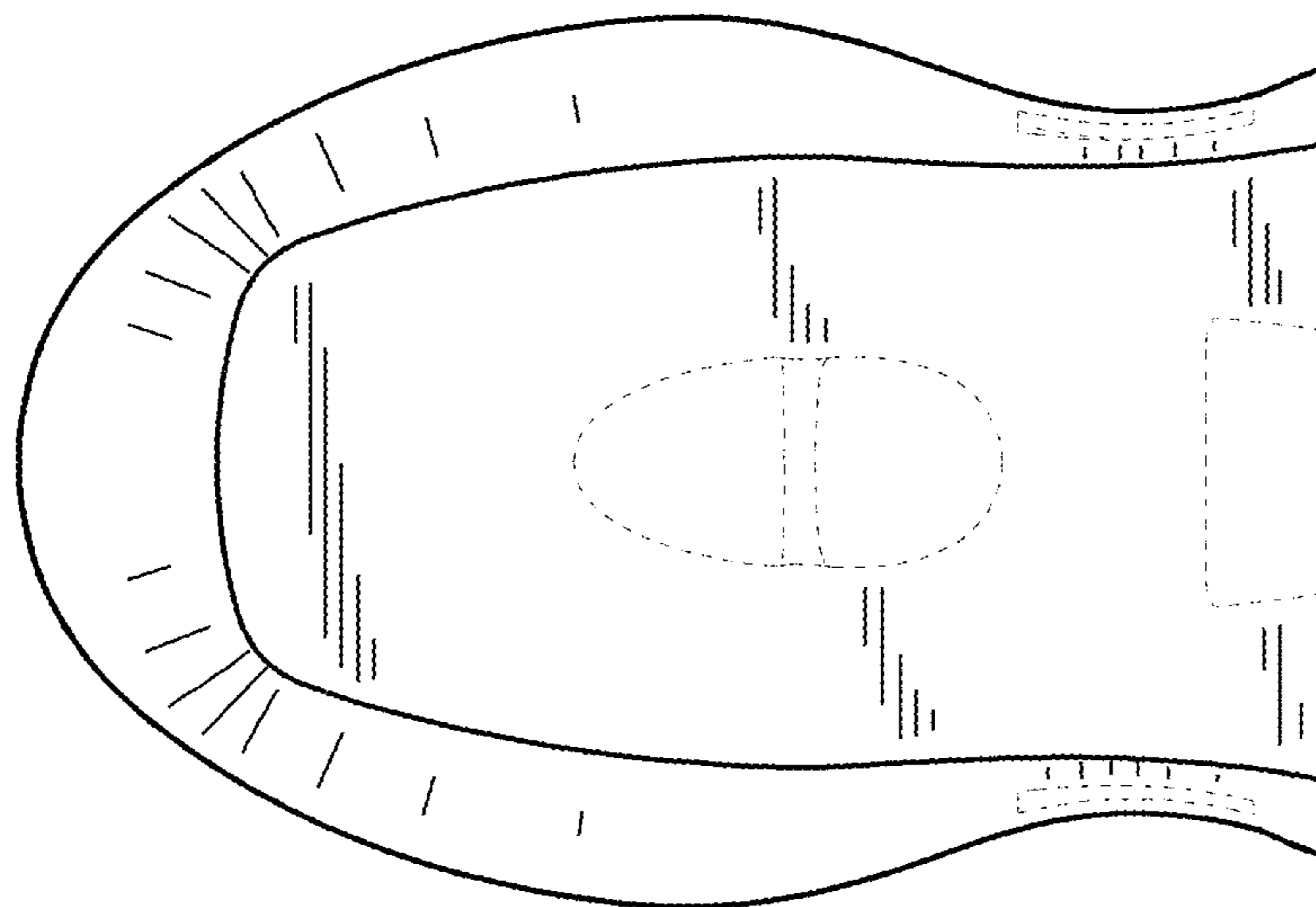


FIG. 7