



US00D703793S

(12) **United States Design Patent**  
**Georgeson et al.**

(10) **Patent No.:** **US D703,793 S**  
(45) **Date of Patent:** **\*\* Apr. 29, 2014**

(54) **FAUCET HANDLE**

(71) Applicant: **Kohler Co.**, Kohler, WI (US)

(72) Inventors: **Paul B. Georgeson**, Sheboygan, WI (US); **Rafael A. Rexach**, Sheboygan, WI (US)

(73) Assignee: **Kohler Co.**, Kohler, WI (US)

(\*\*) Term: **14 Years**

(21) Appl. No.: **29/472,393**

(22) Filed: **Nov. 12, 2013**

**Related U.S. Application Data**

(62) Division of application No. 29/447,075, filed on Feb. 28, 2013.

(51) **LOC (10) Cl.** ..... **23-01**

(52) **U.S. Cl.**  
USPC ..... **D23/252**

(58) **Field of Classification Search**  
USPC ..... D23/238, 241–243, 250, 252, 255, 257;  
4/675–678; 137/801  
See application file for complete search history.

(56) **References Cited**

**U.S. PATENT DOCUMENTS**

4,901,380 A	2/1990	Smith
D310,557 S	9/1990	Smith
D495,788 S	9/2004	Helmetsie et al.
D576,262 S	9/2008	Ishiyama et al.
D628,683 S	12/2010	Andrew et al.
D629,089 S	12/2010	Yoo et al.

*Primary Examiner* — Robert Delehanty

(74) *Attorney, Agent, or Firm* — Foley & Lardner LLP

(57) **CLAIM**

We claim the ornamental design for a faucet handle, as shown and described.

**DESCRIPTION**

FIG. 1 is a perspective view of an embodiment of the claimed design;

FIG. 2 is a front view of the claimed design shown in FIG. 1;

FIG. 3 is a rear view of the claimed design shown in FIG. 1;

FIG. 4 is a side view of the claimed design shown in FIG. 1;

FIG. 5 is another side view of the claimed design shown in FIG. 1;

FIG. 6 is a top view of the claimed design shown in FIG. 1;

FIG. 7 is a bottom view of the claimed design shown in FIG. 1;

FIG. 8 is a perspective view of another embodiment of the claimed design;

FIG. 9 is a front view of the claimed design shown in FIG. 8;

FIG. 10 is a rear view of the claimed design shown in FIG. 8;

FIG. 11 is a side view of the claimed design shown in FIG. 8;

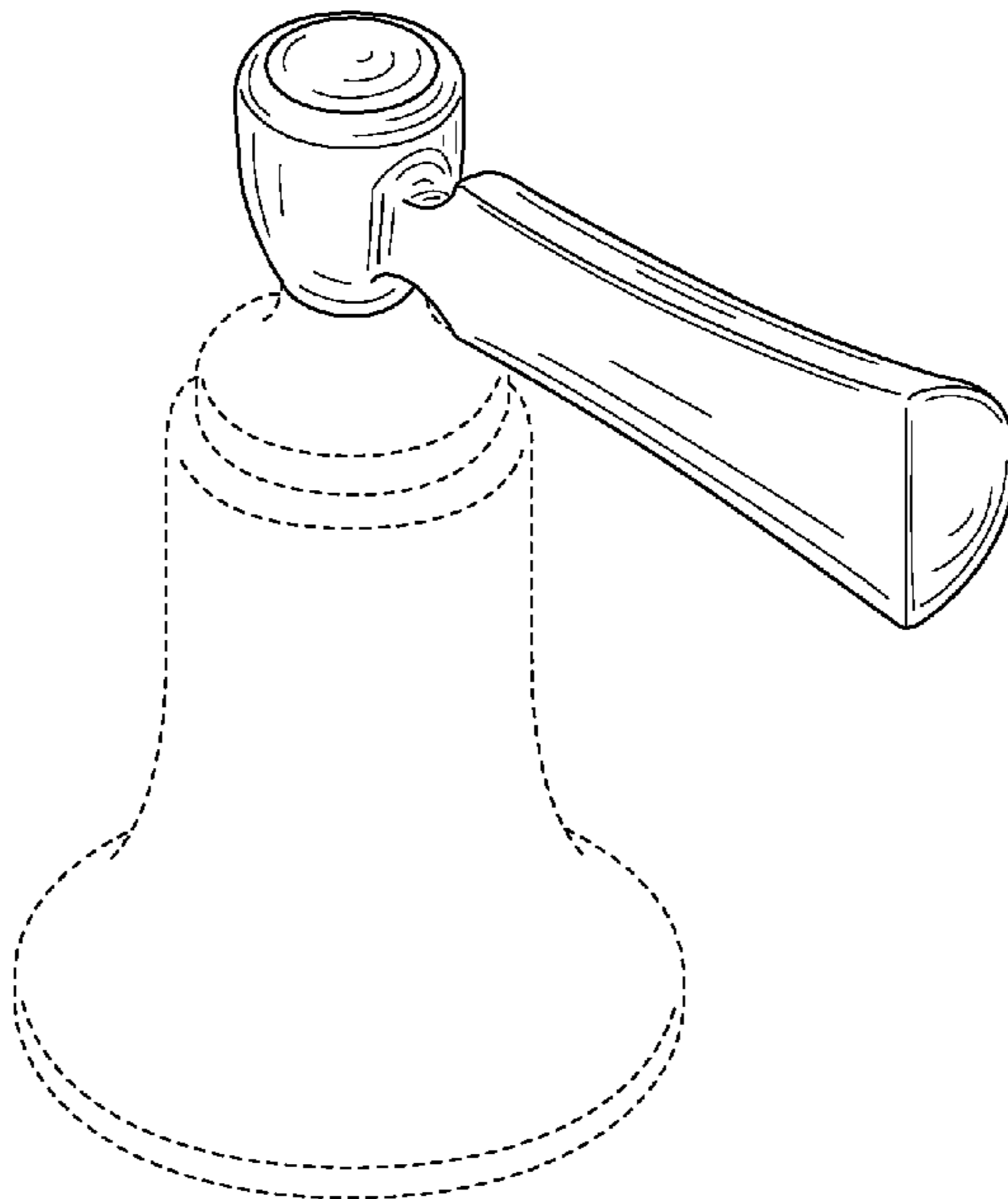
FIG. 12 is another side view of the claimed design shown in FIG. 8;

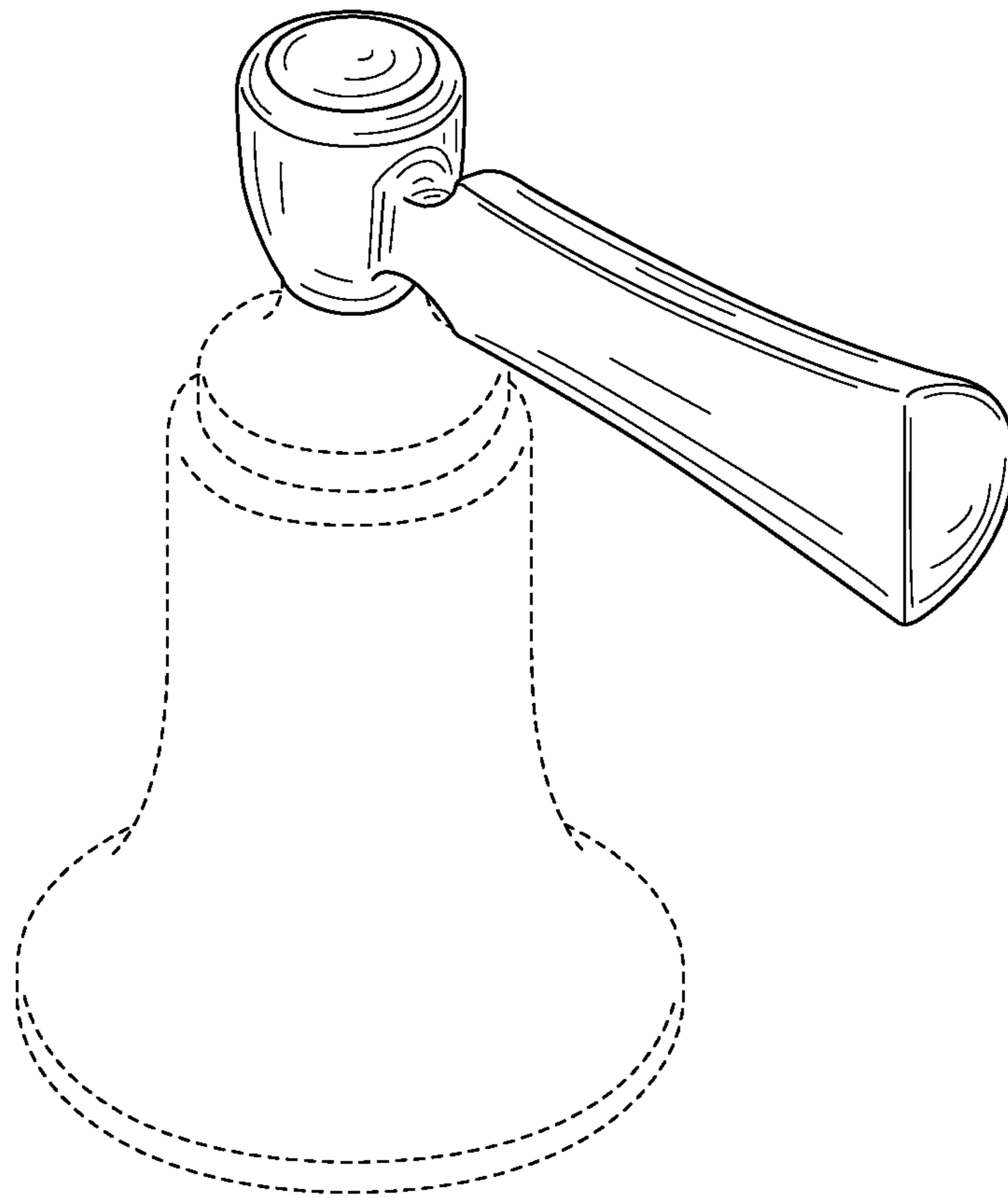
FIG. 13 is a top view of the claimed design shown in FIG. 8;

and,  
FIG. 14 is a bottom view of the claimed design shown in FIG. 8.

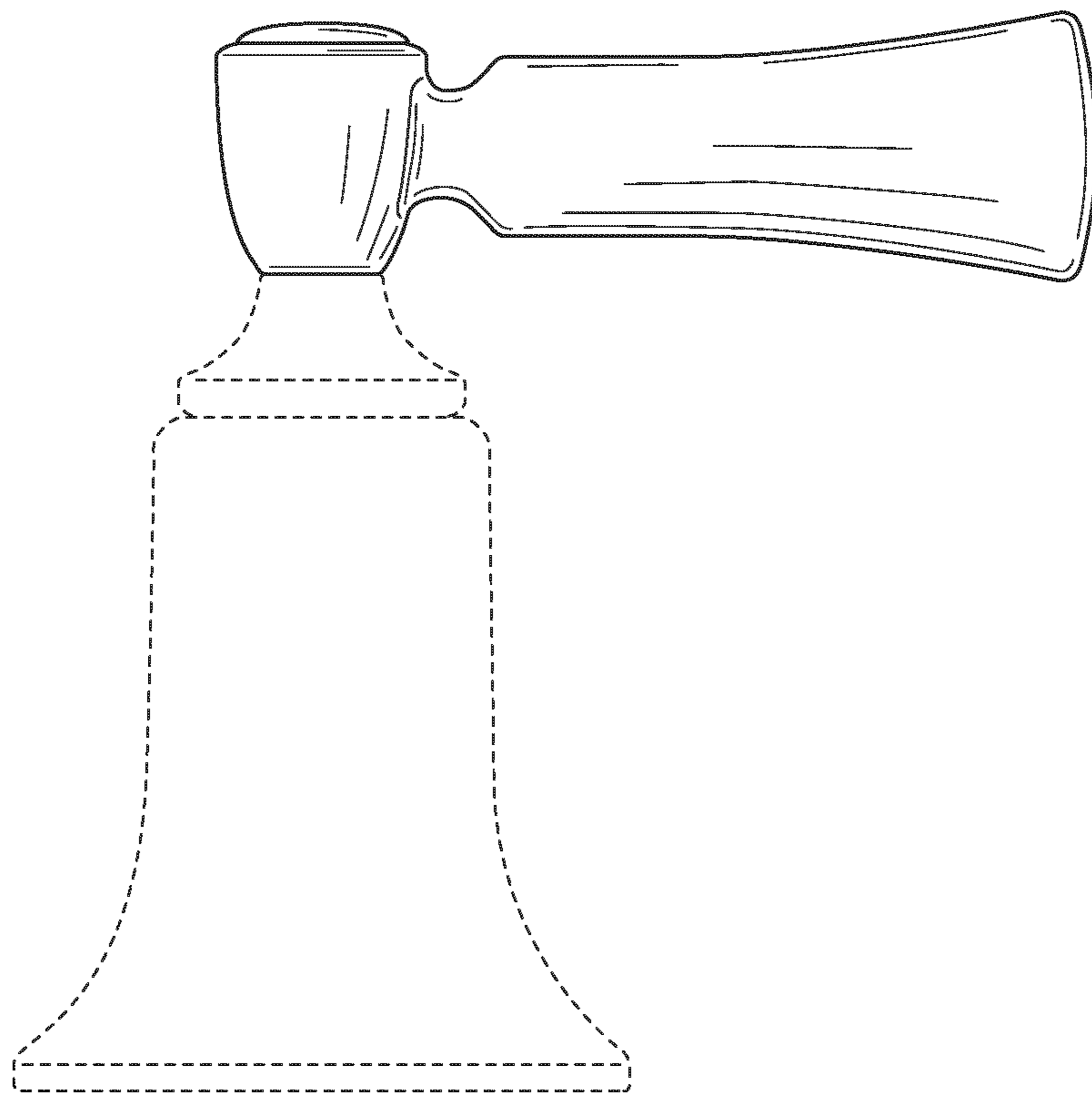
The ornamental design which is claimed is shown in solid lines in the drawings. The broken lines in the drawings are for illustrative purposes only and form no part of the claimed design.

**1 Claim, 14 Drawing Sheets**

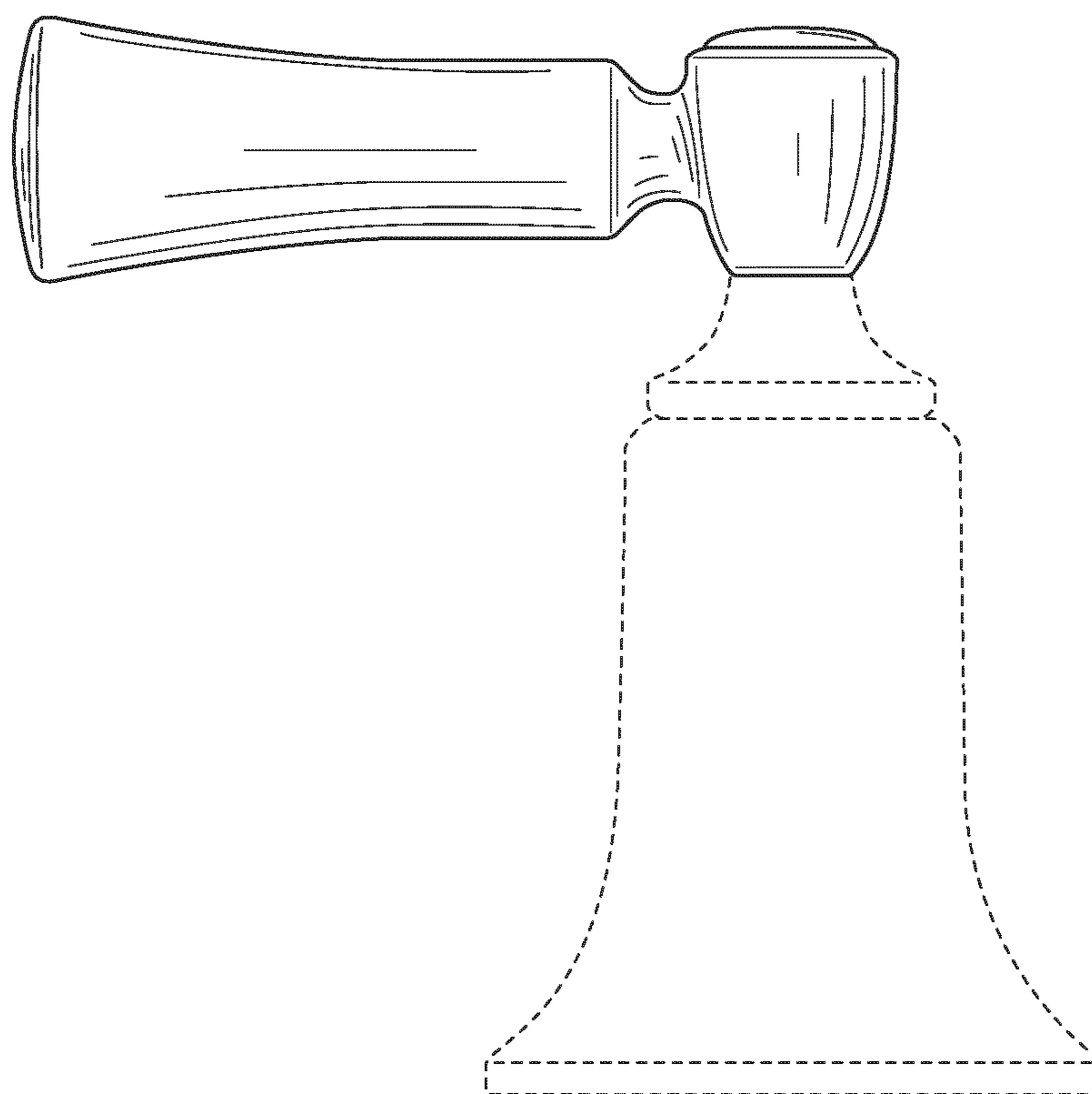




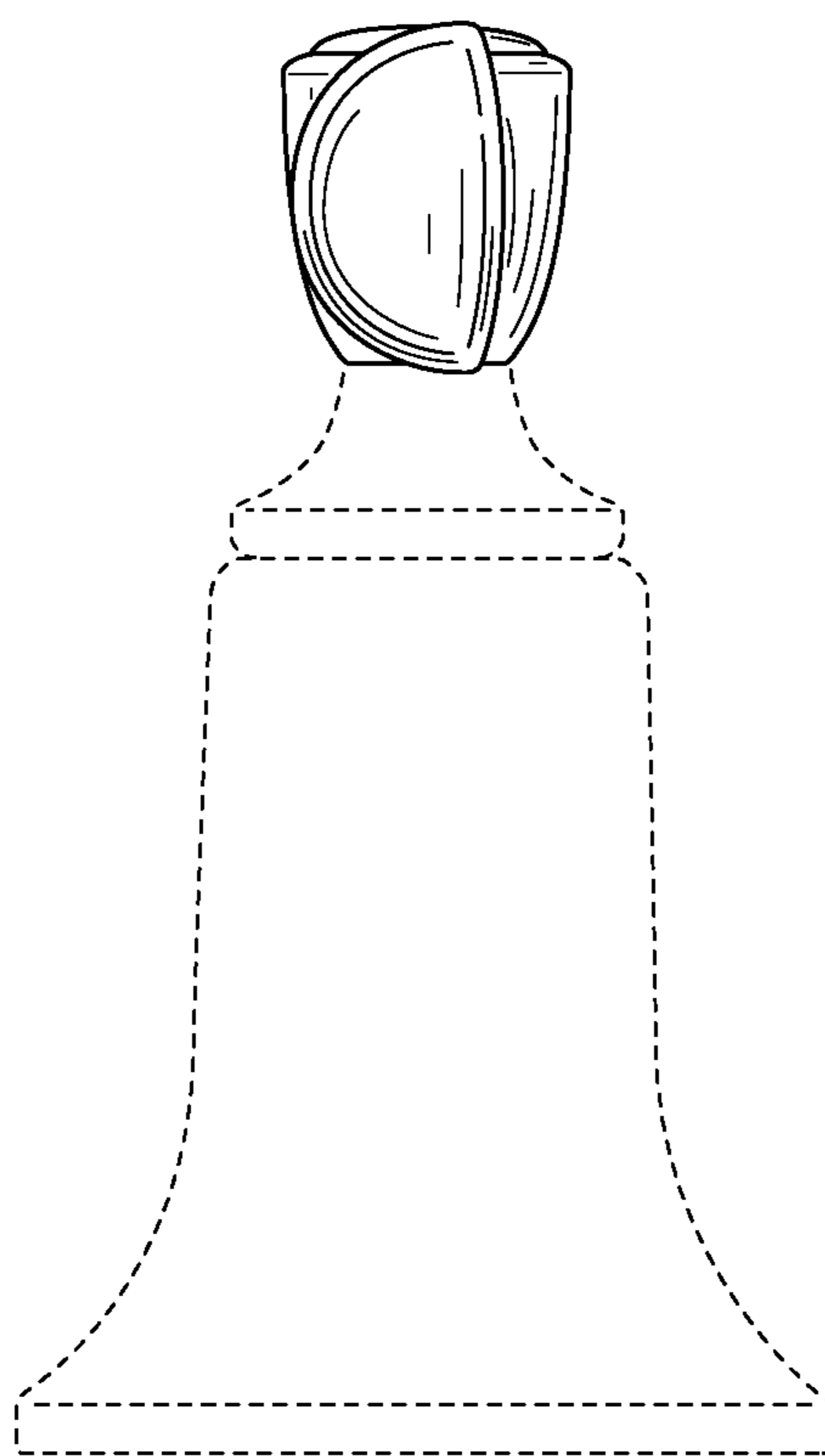
**FIG. 1**



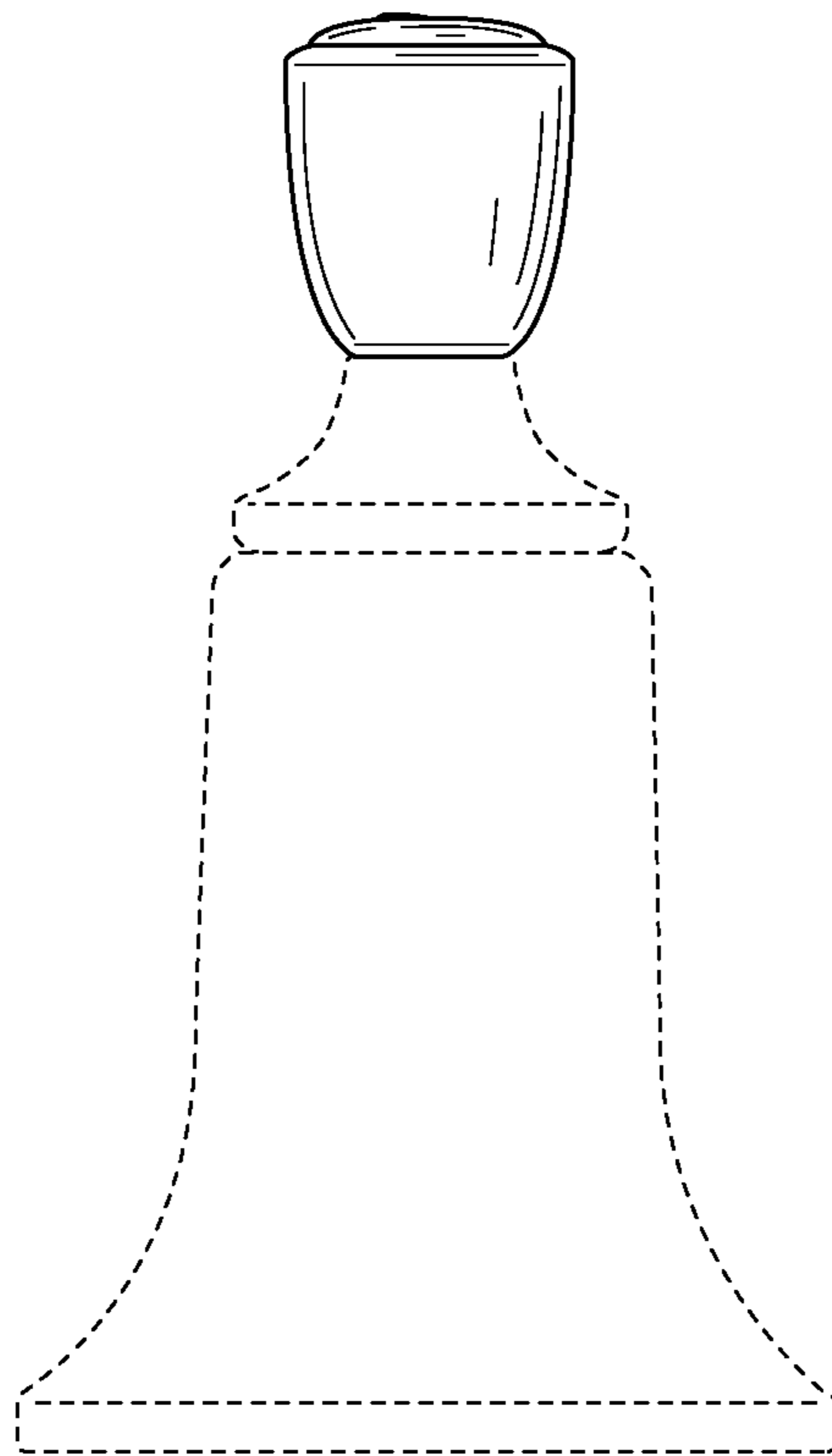
**FIG. 2**



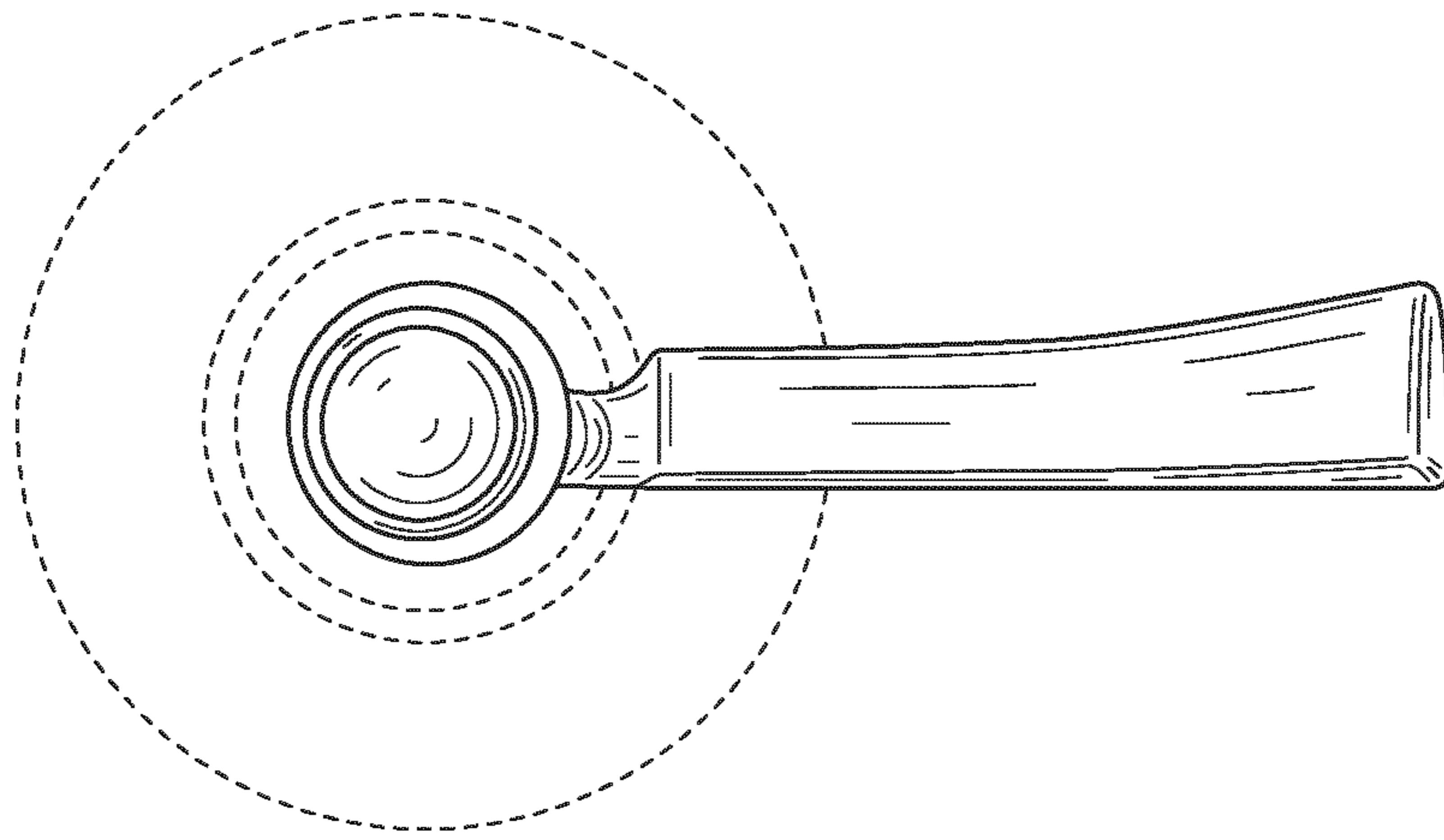
**FIG. 3**



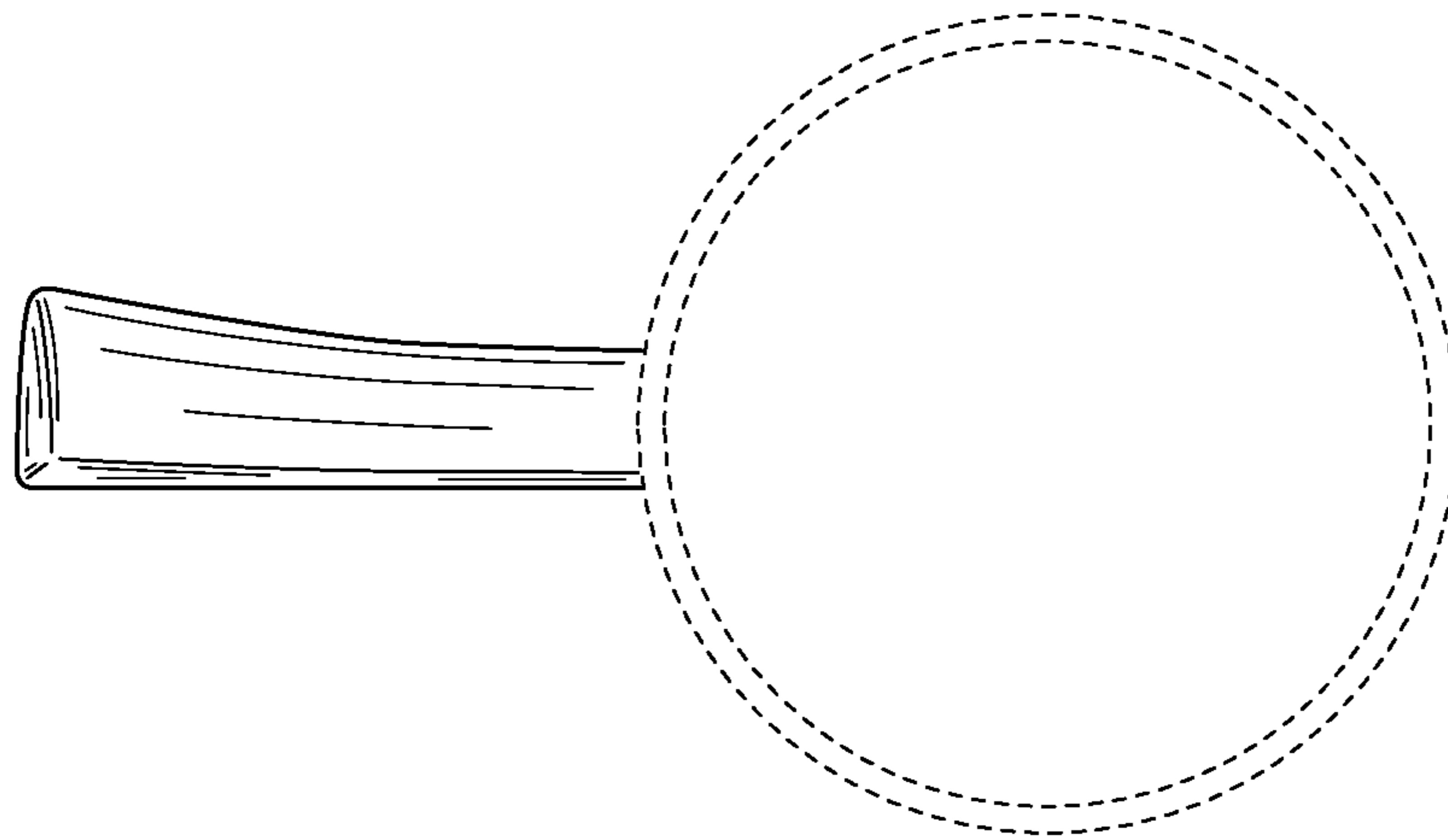
**FIG. 4**



**FIG. 5**

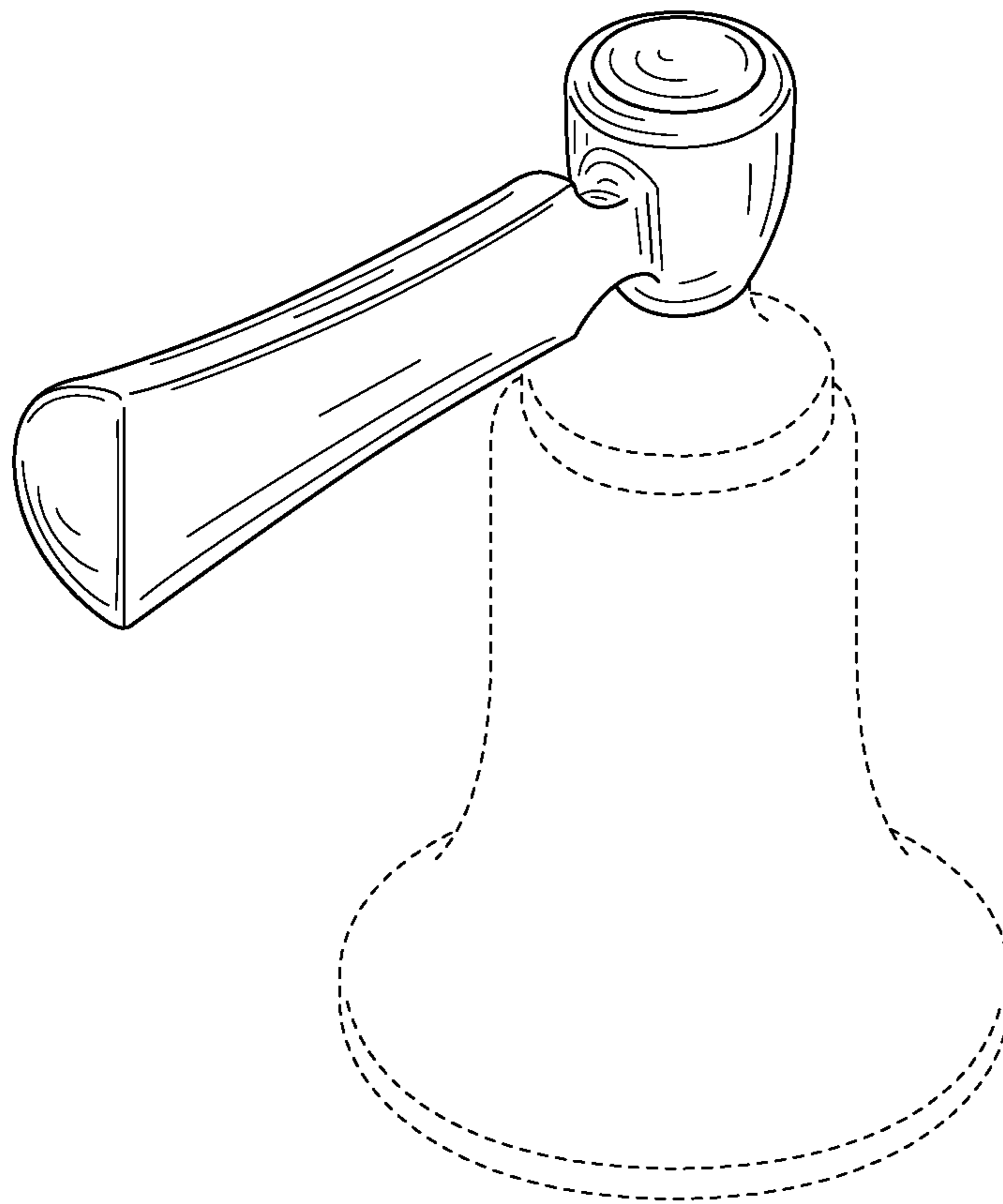


**FIG. 6**

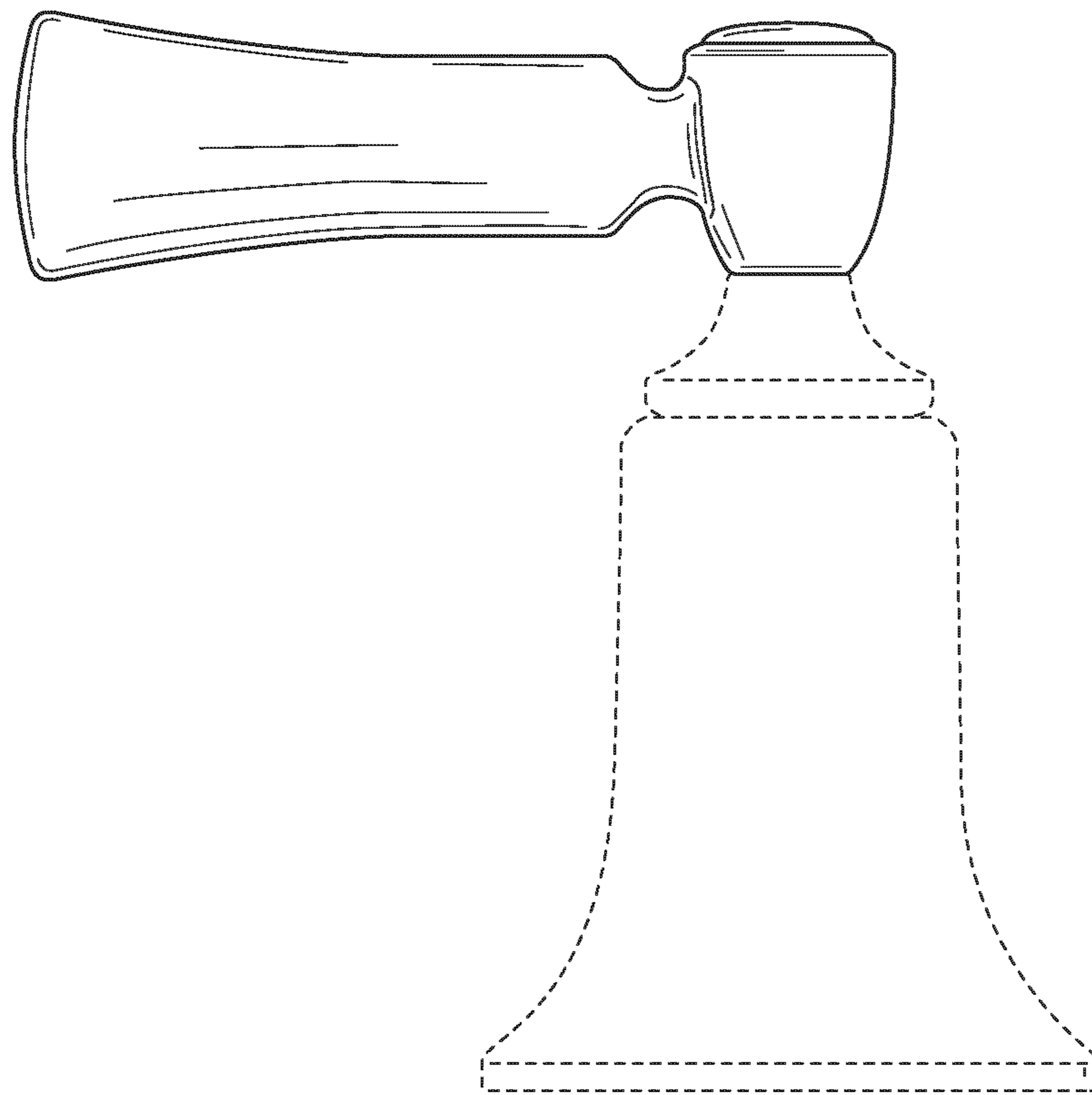


**FIG. 7**

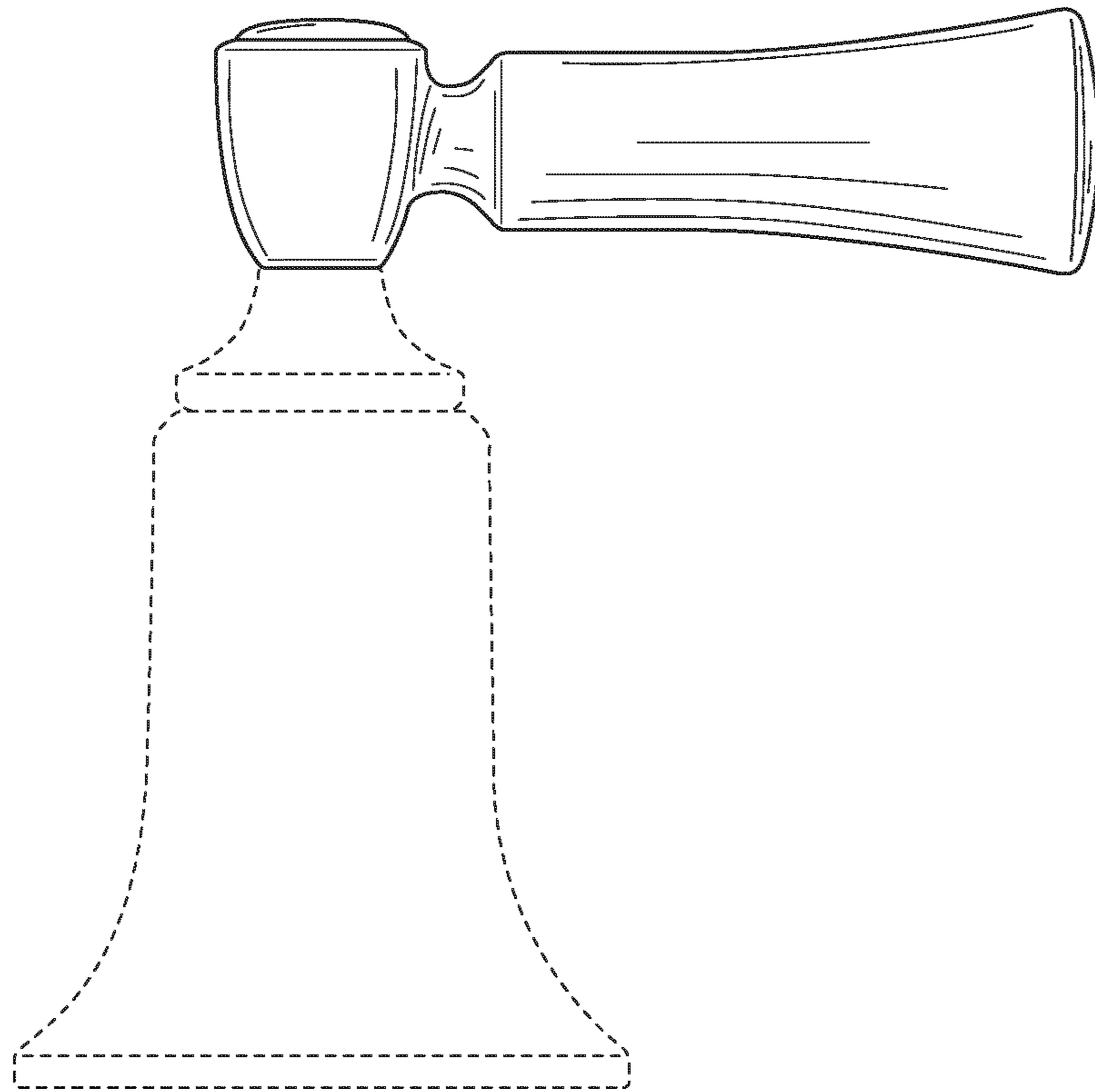




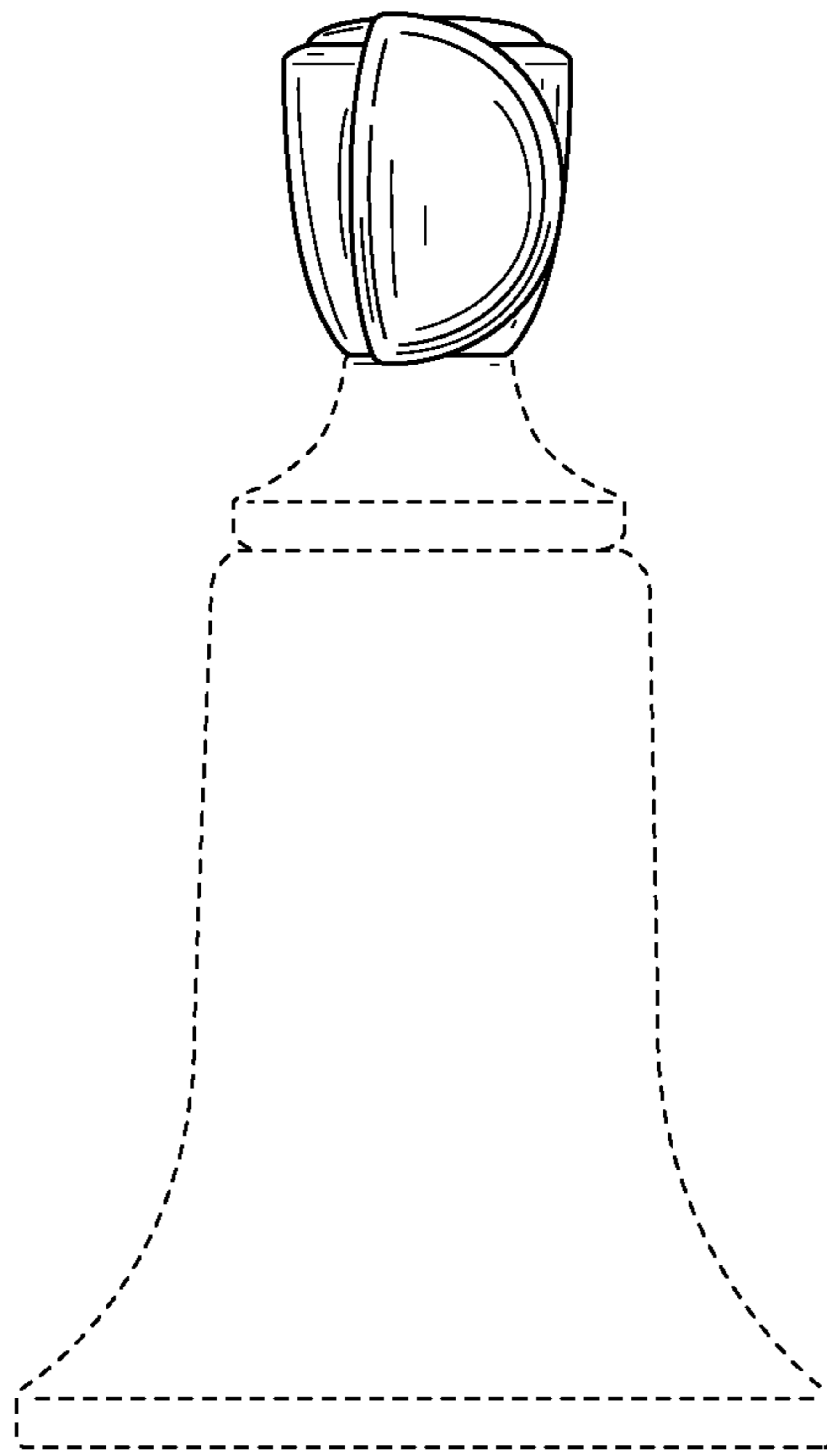
**FIG. 8**



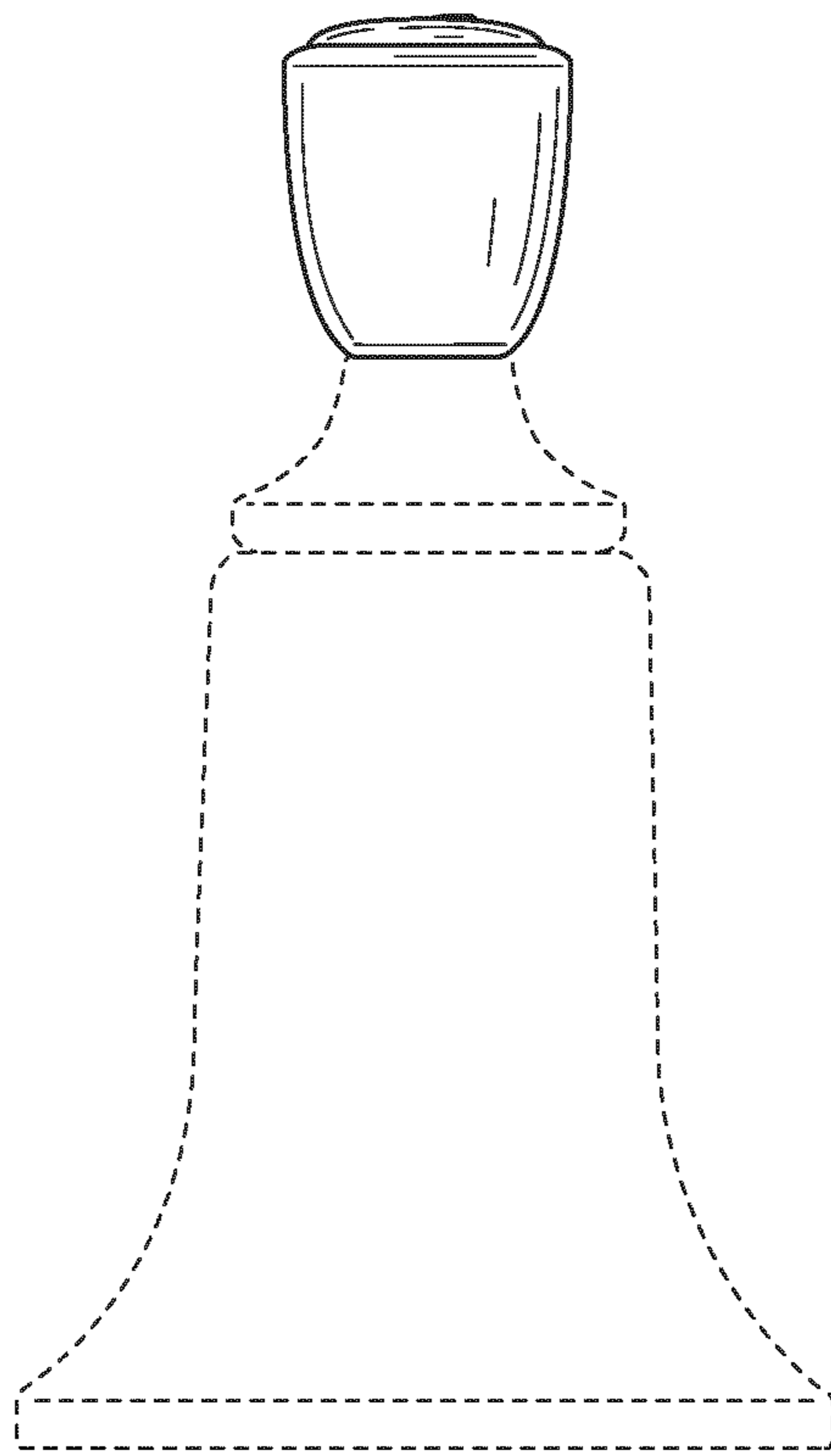
**FIG. 9**



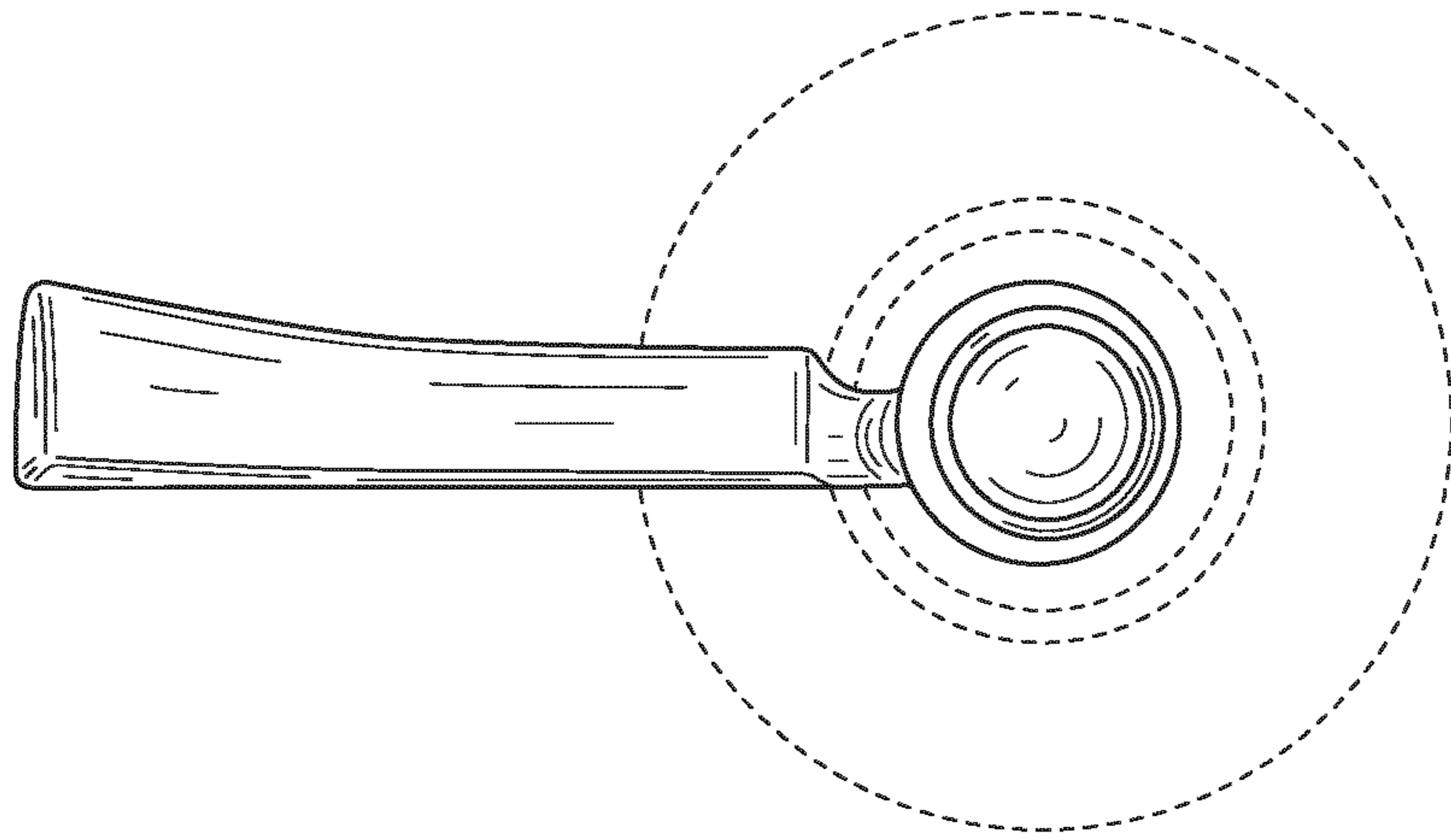
**FIG. 10**



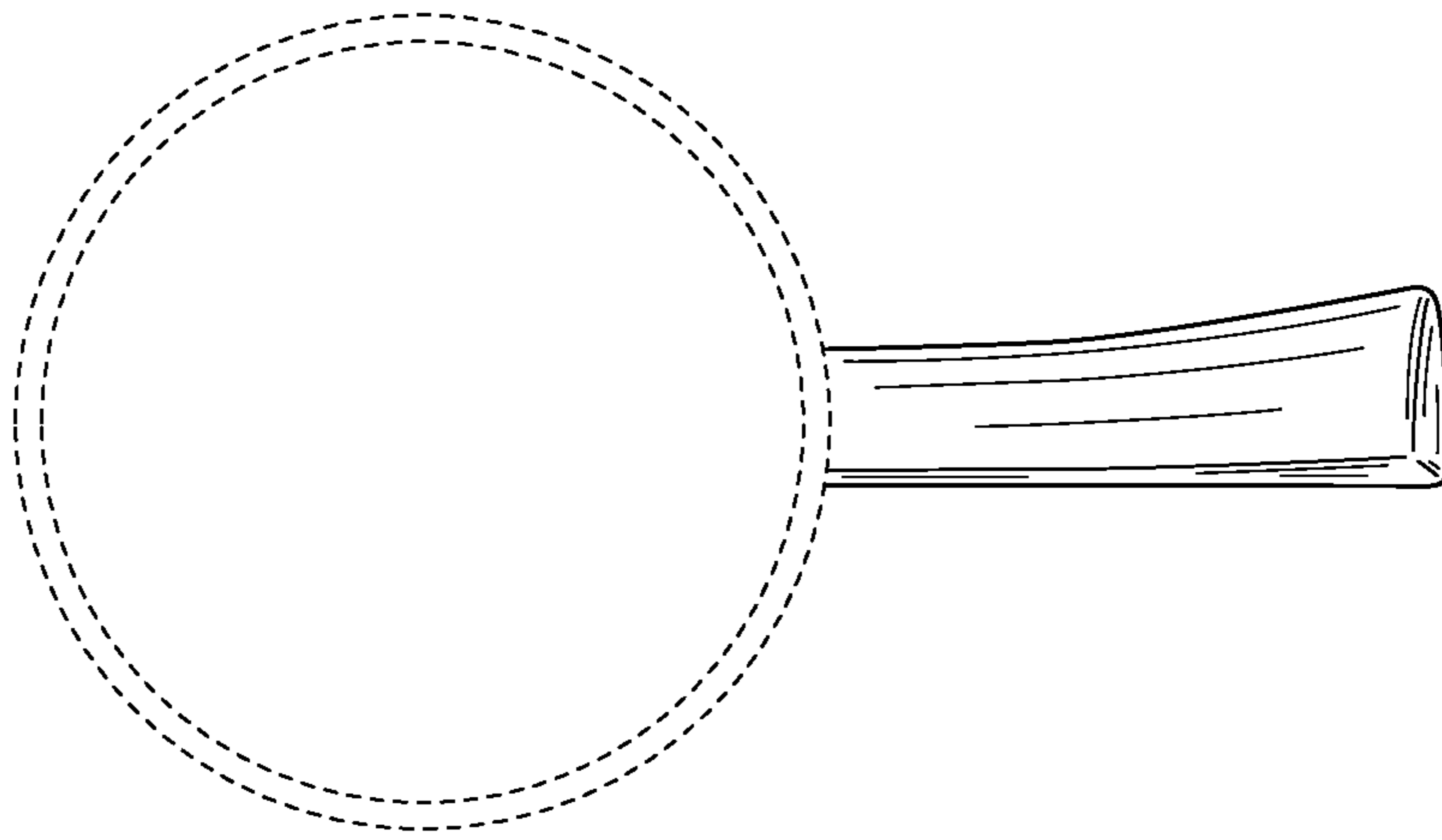
**FIG. 11**



**FIG. 12**



**FIG. 13**



**FIG. 14**