



US00D703791S

(12) **United States Design Patent**  
**Gilbert**

(10) **Patent No.:** **US D703,791 S**  
(45) **Date of Patent:** **\*\* Apr. 29, 2014**

- (54) **ESCUTCHEON**
- (71) Applicant: **Christopher Jon Gilbert**, Moreland Hills, OH (US)
- (72) Inventor: **Christopher Jon Gilbert**, Moreland Hills, OH (US)
- (73) Assignee: **Moen Incorporated**, North Olmsted, OH (US)
- (\*\*) Term: **14 Years**
- (21) Appl. No.: **29/448,950**
- (22) Filed: **Mar. 14, 2013**
- (51) **LOC (10) Cl.** ..... **23-01**
- (52) **U.S. Cl.**  
USPC ..... **D23/249**; D8/350; D8/376; D6/550
- (58) **Field of Classification Search**  
USPC ..... D23/238–250, 252–255; D8/301, 310, D8/350, 352, 303, 315–321, 349, 354, 363, D8/373, 380, 331, 346, 330, 302, 341, 343, D8/338; D6/546–550, 518–523, 524; 70/271, 277, 278.1, 284, 278.4, 285, 70/450; 340/5.21, 5.54, 5.65, 5.73, 5.81, 340/5.85; 4/671–678; 137/801, 615; 211/13.1, 16, 60.1, 100, 86.01, 87.01, 211/88.04, 105.1–105.2, 123, 182, 181.1; 248/175, 176.1, 251, 302, 309.1; 16/110.1, 412, 415; 242/570, 590, 242/595–598; 174/66; 292/357, 347  
See application file for complete search history.

- (56) **References Cited**  
U.S. PATENT DOCUMENTS

363,954 A	5/1887	Gould
1,039,315 A	9/1912	Mueller
1,773,586 A	8/1930	Koering
1,932,056 A	10/1933	Weatherhead, Jr.
D175,819 S	10/1955	Young

- |              |         |                    |         |
|--------------|---------|--------------------|---------|
| D337,230 S   | 7/1993  | Wang               |         |
| 5,307,528 A  | 5/1994  | Nieuwenhuis et al. |         |
| D388,644 S   | 1/1998  | Chen               |         |
| D389,326 S   | 1/1998  | Moore              |         |
| D391,831 S * | 3/1998  | Doughty et al.     | D8/321  |
| D400,381 S   | 11/1998 | Solowiej et al.    |         |
| D416,419 S   | 11/1999 | Chen               |         |
| D435,749 S * | 1/2001  | Ming-Hsiao         | D6/523  |
| D451,687 S   | 12/2001 | Sun et al.         |         |
| D454,459 S * | 3/2002  | Meck et al.        | D6/549  |
| 6,543,629 B1 | 4/2003  | Samelson           |         |
| D480,451 S * | 10/2003 | Singtoroj et al.   | D23/252 |
| D520,789 S   | 5/2006  | Zhu et al.         |         |
| D522,845 S * | 6/2006  | Suero              | D8/376  |
| D524,918 S   | 7/2006  | Barry              |         |
| D533,641 S * | 12/2006 | Singtoroj          | D23/249 |
| D543,755 S   | 6/2007  | Bauer et al.       |         |
| D543,756 S   | 6/2007  | Gilbert            |         |
| D547,165 S * | 7/2007  | Barrese            | D8/380  |
| D565,937 S   | 4/2008  | Tsai               |         |

(Continued)

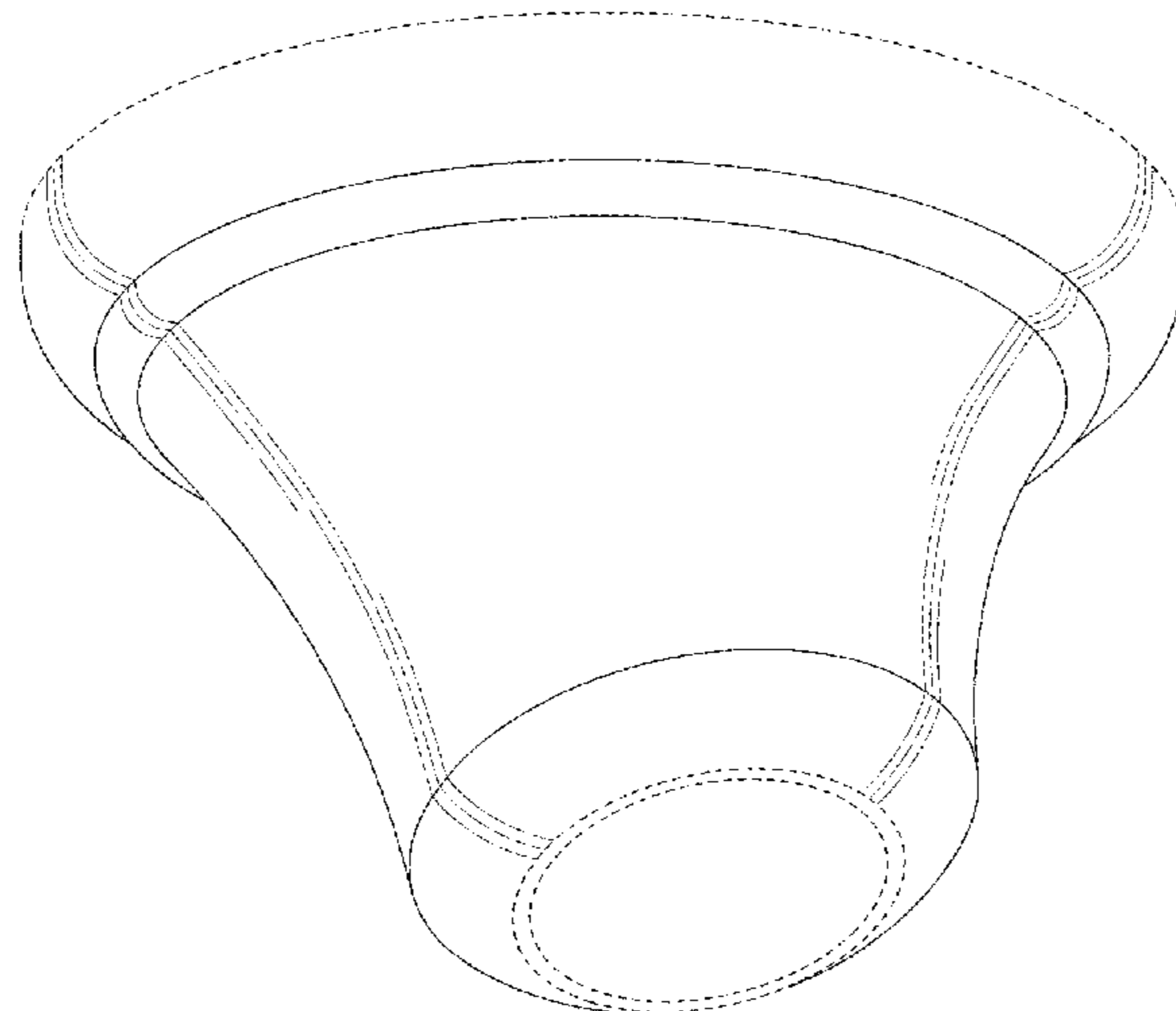
*Primary Examiner* — Mark Goodwin  
(74) *Attorney, Agent, or Firm* — Calfee, Halter & Griswold LLP

(57) **CLAIM**  
The ornamental design for an escutcheon, as shown and described.

**DESCRIPTION**

FIG. 1 is a perspective view of an escutcheon of the new design;  
FIG. 2 is a front elevational view of the escutcheon of FIG. 1;  
FIG. 3 is a left side elevational view of the escutcheon of FIG. 1;  
FIG. 4 is a right side elevational view of the escutcheon of FIG. 1; and,  
FIG. 5 is a top plan view of the escutcheon of FIG. 1, the bottom plan view being a mirror image thereof.  
The portions of the Figures shown in broken lines are not part of the claimed design and are for illustration only.

**1 Claim, 3 Drawing Sheets**



(56)

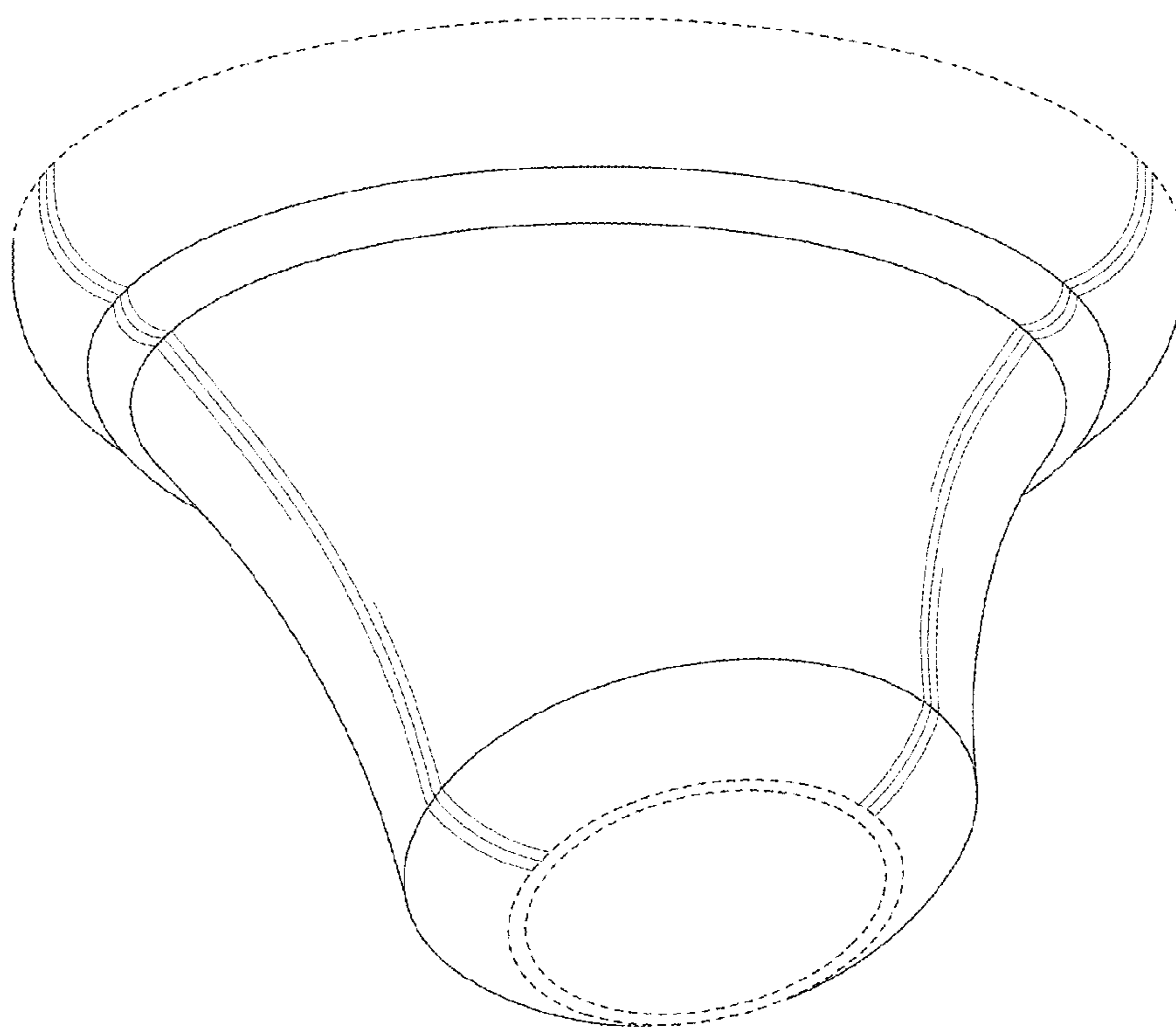
**References Cited**

U.S. PATENT DOCUMENTS

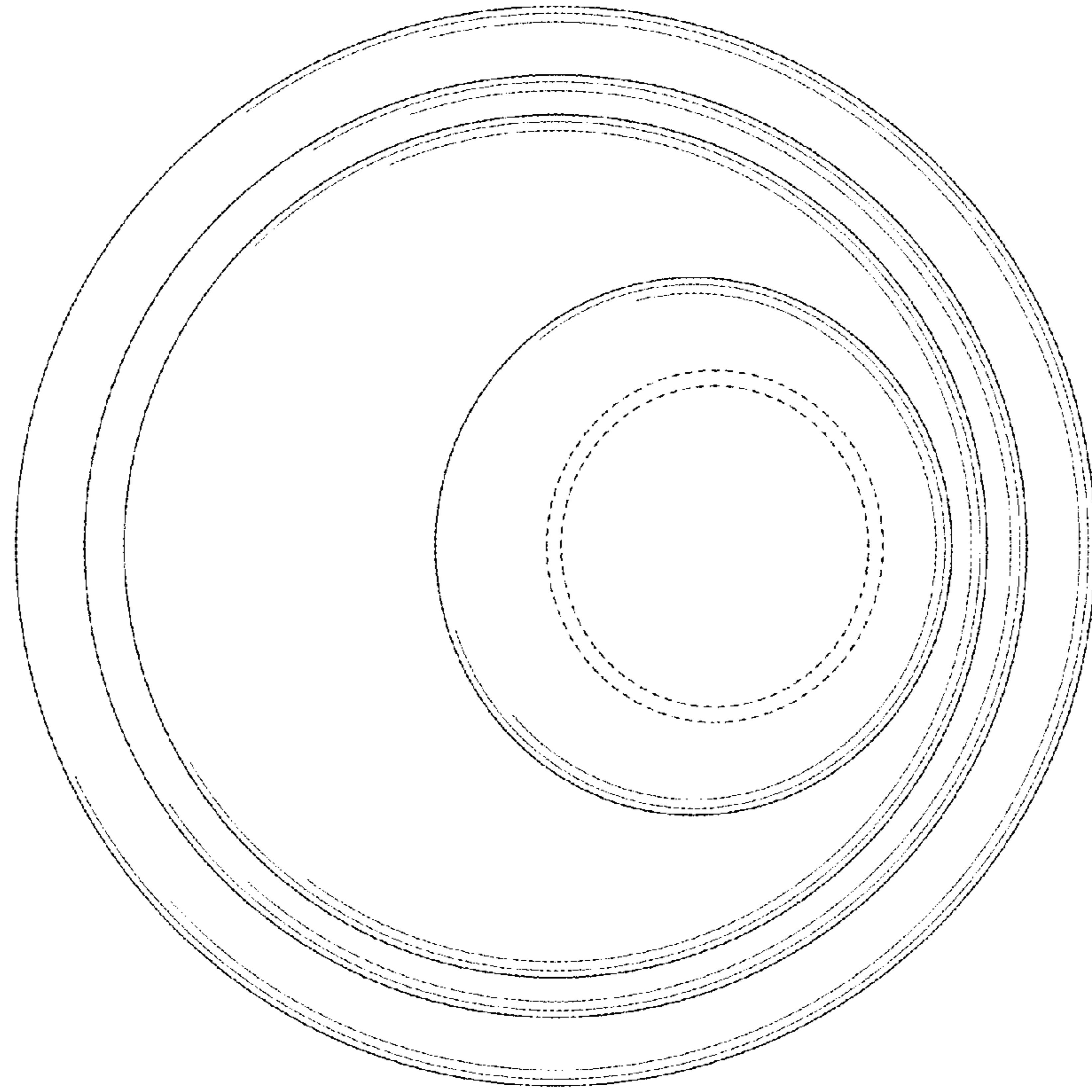
D575,565 S \* 8/2008 Gilbert ..... D6/524  
D581,488 S 11/2008 Dolan  
D605,935 S \* 12/2009 Zeyfang ..... D8/402  
D611,797 S 3/2010 Koskela

D617,894 S 6/2010 Wright  
D627,443 S \* 11/2010 Sedwick ..... D23/252  
7,857,151 B2 \* 12/2010 Barrese ..... 211/105.3  
D640,078 S \* 6/2011 Gilbert ..... D6/524  
D648,834 S 11/2011 Gilbert  
D668,488 S 10/2012 Nazario

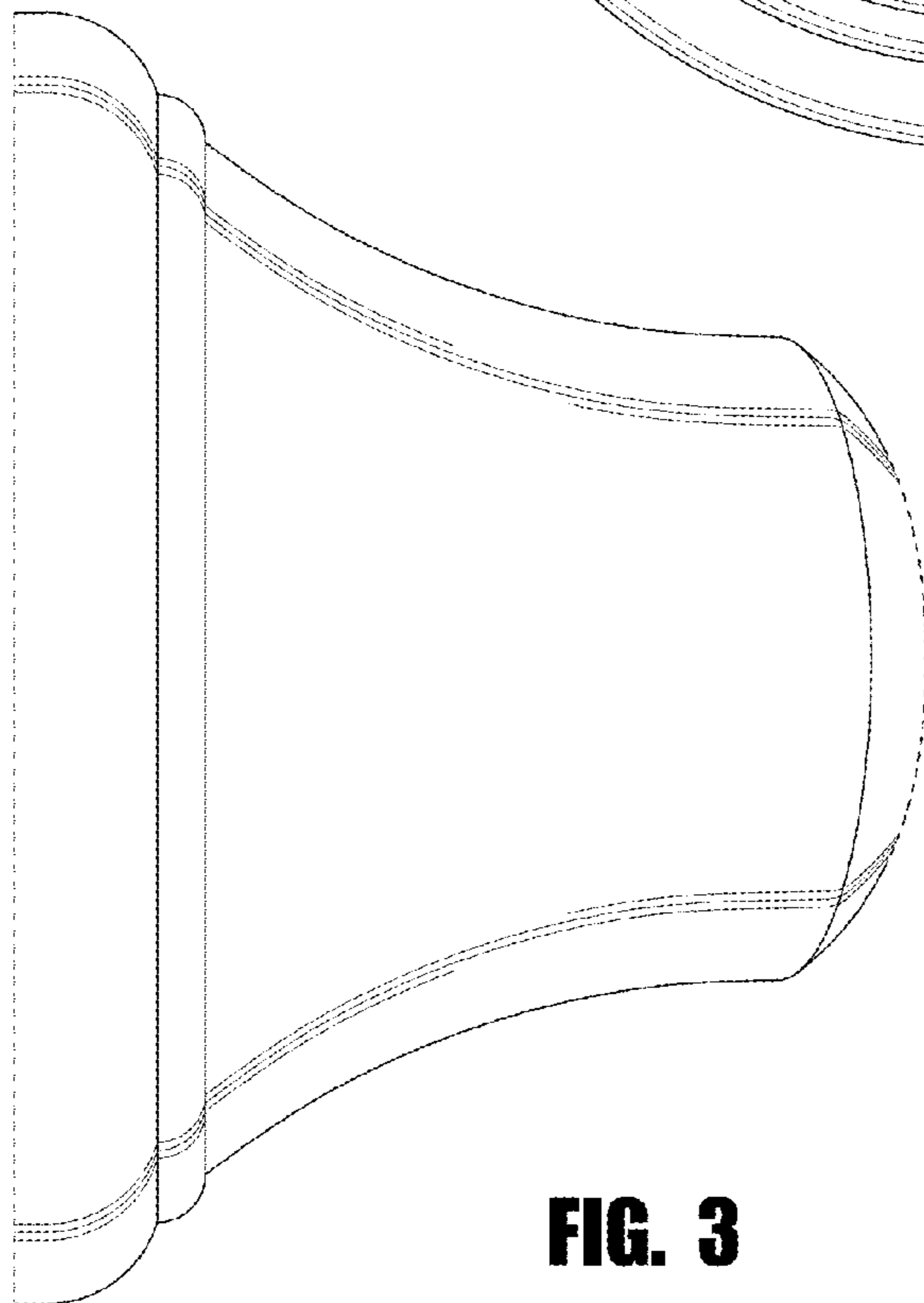
\* cited by examiner



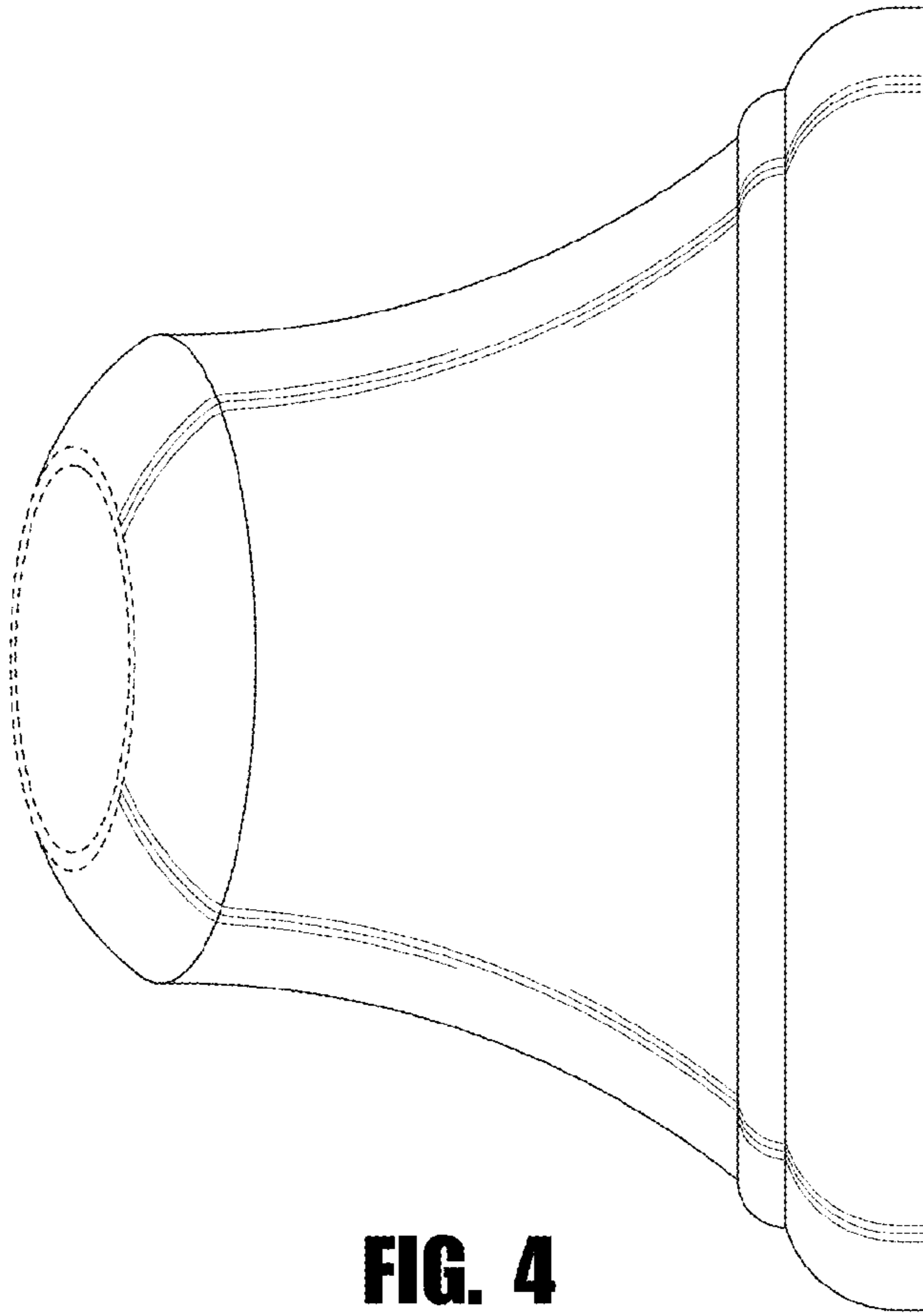
**FIG. 1**



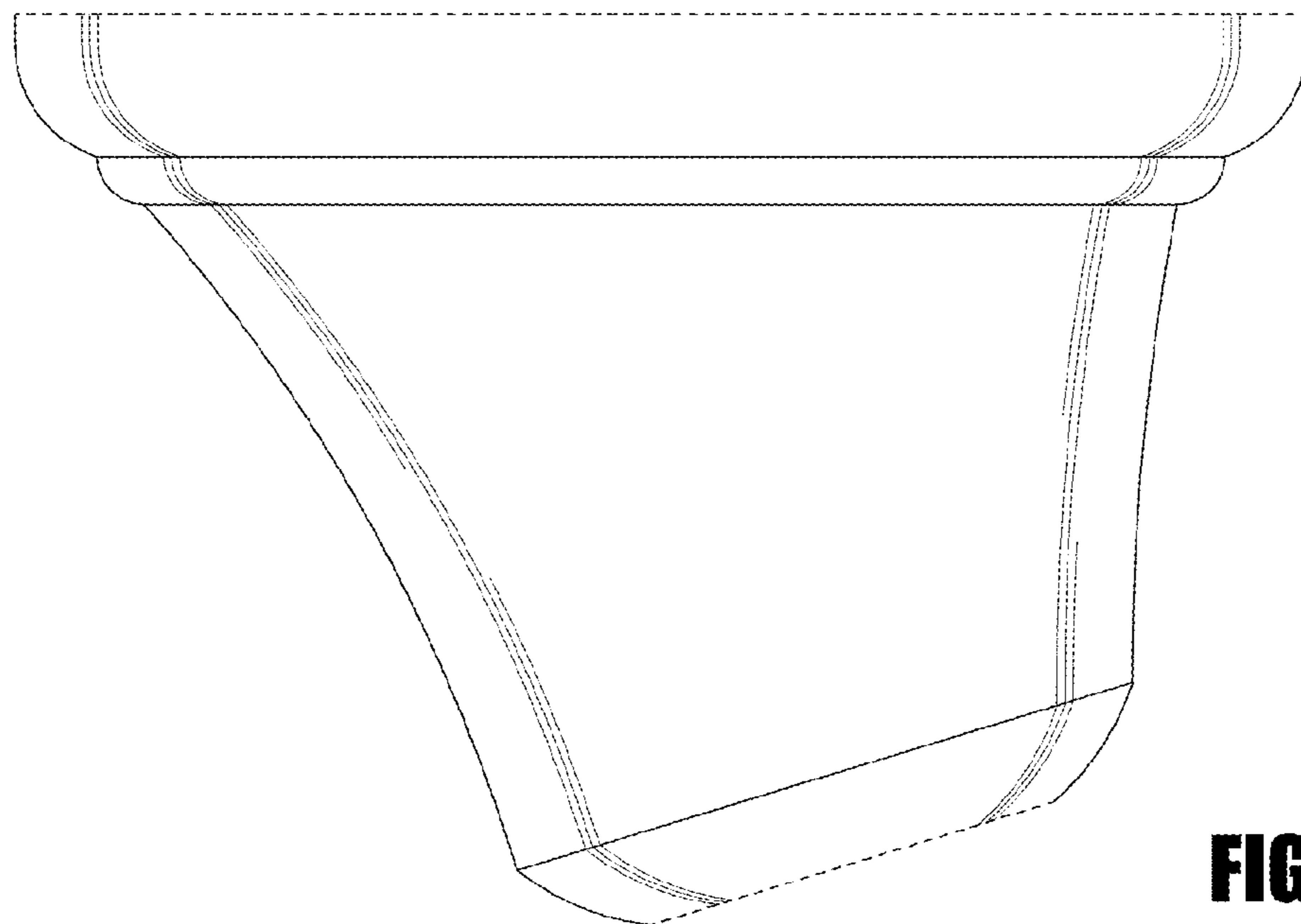
**FIG. 2**



**FIG. 3**



**FIG. 4**



**FIG. 5**