



US00D703790S

(12) **United States Design Patent**
Mazz et al.

(10) **Patent No.:** **US D703,790 S**
(45) **Date of Patent:** **** Apr. 29, 2014**

(54) **FAUCET**

(71) Applicant: **Kohler Co.**, Kohler, WI (US)

(72) Inventors: **Margaret C. Mazz**, Sheboygan, WI (US); **Gregory de Swarte**, Sheboygan, WI (US); **Paul B. Georgeson**, Milwaukee, WI (US); **Rafael A. Rexach**, Sheboygan, WI (US)

(73) Assignee: **Kohler Co.**, Kohler, WI (US)

(**) Term: **14 Years**

(21) Appl. No.: **29/452,196**

(22) Filed: **Apr. 12, 2013**

(51) **LOC (10) Cl.** **23-01**

(52) **U.S. Cl.**
USPC **D23/238**

(58) **Field of Classification Search**
USPC D23/238-243, 250, 252, 255, 228;
4/675-678; 137/801

See application file for complete search history.

(56) **References Cited**

U.S. PATENT DOCUMENTS

D332,135 S	12/1992	Bonnell	
D334,230 S	3/1993	Bonnell	
D383,831 S	9/1997	Esche et al.	
D428,118 S	7/2000	McKeone	
D428,965 S	8/2000	Slothower	
D443,337 S *	6/2001	Mark et al.	D23/238
D460,150 S	7/2002	Rexach	
D495,782 S *	9/2004	Lin	D23/252
D498,824 S *	11/2004	Lin	D23/252
D499,795 S	12/2004	Bayer	
D564,634 S	3/2008	Kirar	
D566,241 S	4/2008	Barry	
D575,848 S	8/2008	Kirar	
D579,526 S *	10/2008	Williams	D23/250
D585,112 S	1/2009	Kohler et al.	
D608,417 S	1/2010	Rubin et al.	
D635,220 S	3/2011	Rubin et al.	

D635,221 S	3/2011	Rubin et al.	
D652,898 S *	1/2012	Flowers et al.	D23/252
D653,731 S *	2/2012	Bailey	D23/238
D670,361 S	11/2012	Georgeson et al.	
D676,117 S	2/2013	Georgeson et al.	
D683,825 S	6/2013	Sofield	
D684,242 S	6/2013	McKeone et al.	
D689,595 S	9/2013	Georgeson	

OTHER PUBLICATIONS

U.S. Appl. No. 13/797,297, filed Mar. 12, 2013, Kohler Co.

* cited by examiner

Primary Examiner — Robert Delehanty

(74) *Attorney, Agent, or Firm* — Foley & Lardner LLP

(57) **CLAIM**

We claim the ornamental design for a faucet, as shown and described.

DESCRIPTION

FIG. 1 is a top, front, right perspective view of an embodiment of the claimed design;

FIG. 2 is a front elevation view thereof;

FIG. 3 is a rear elevation view thereof;

FIG. 4 is a right elevation view thereof;

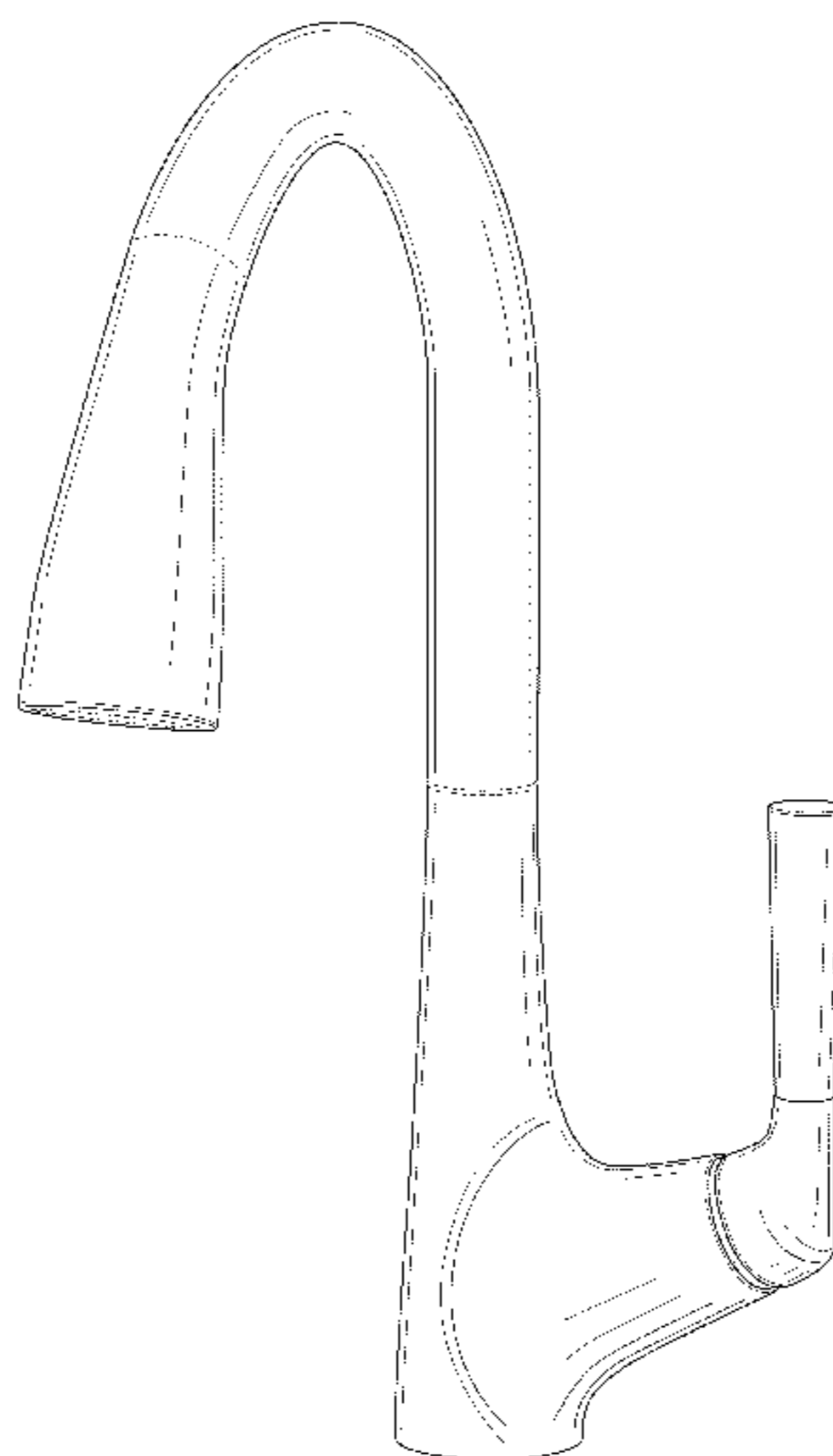
FIG. 5 is a left elevation view thereof;

FIG. 6 is a top plan view thereof; and,

FIG. 7 is a bottom plan view thereof.

The ornamental design which is claimed is shown in solid lines in the drawings. The broken lines in the drawings are for illustrative purposes only and form no part of the claimed design. Broken lines formed by equal length dashes show unclaimed portions of the design. Broken lines formed of unequal length dashes (i.e., dash-dot) show boundaries between claimed and unclaimed portions of the design. Broken lines having a jagged element show that the no particular length of the portion is claimed. Portions shown in stipple shading as opposed to line shading show contrasting surfaces unlimited by colors.

1 Claim, 7 Drawing Sheets



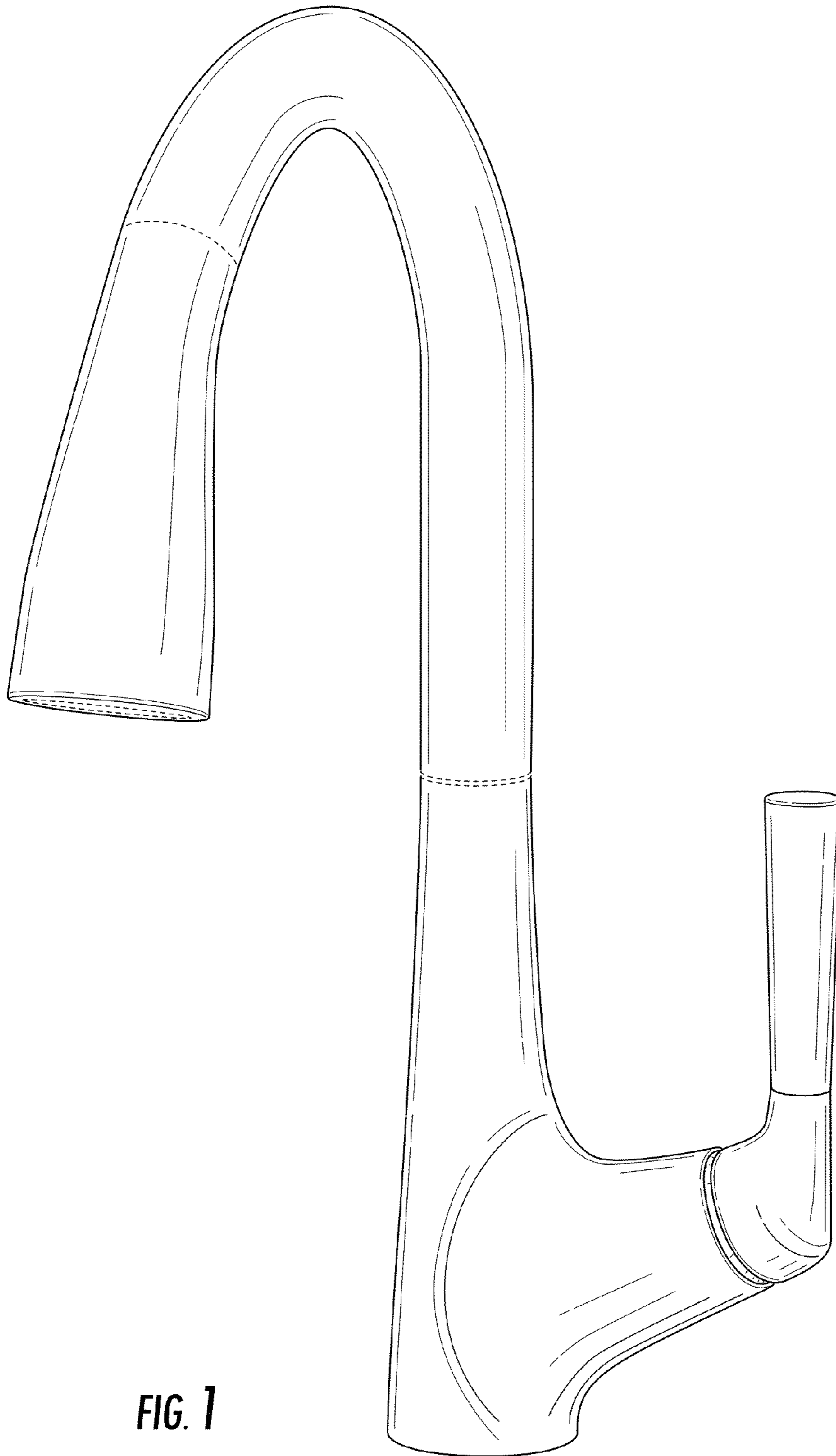


FIG. 1

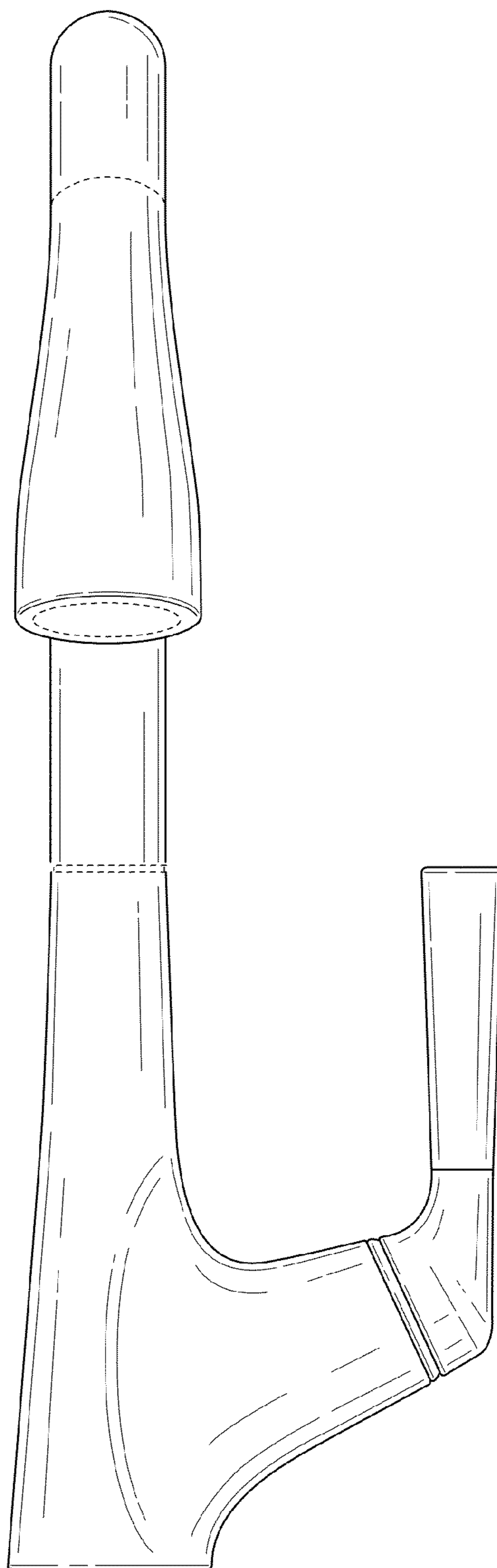


FIG. 2

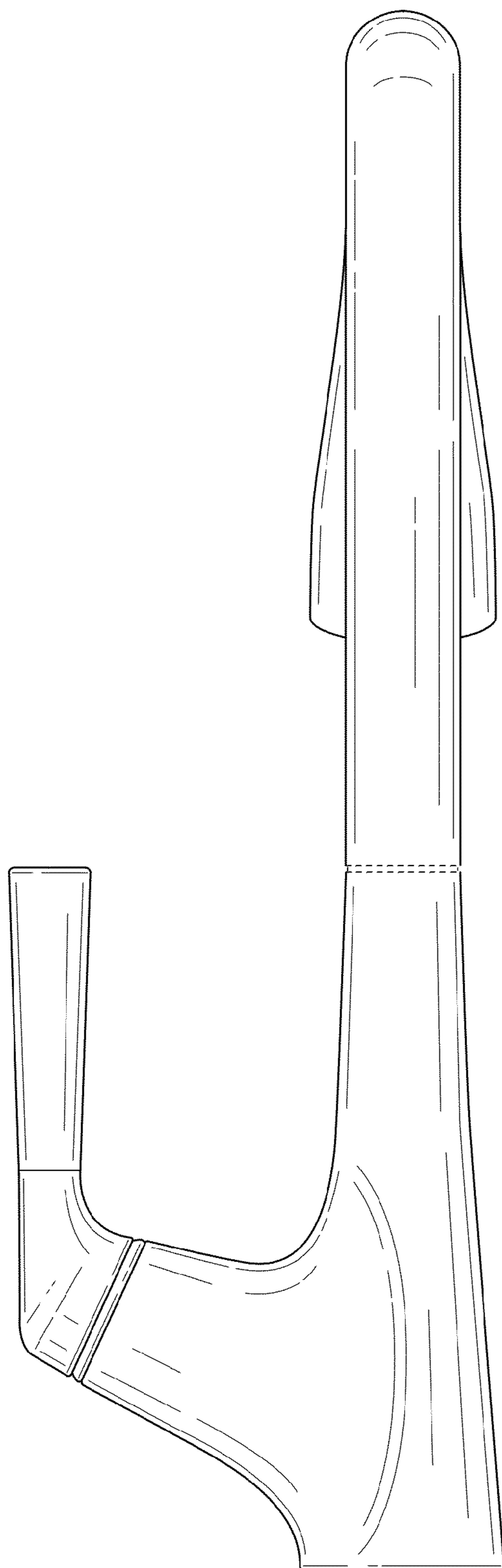


FIG. 3

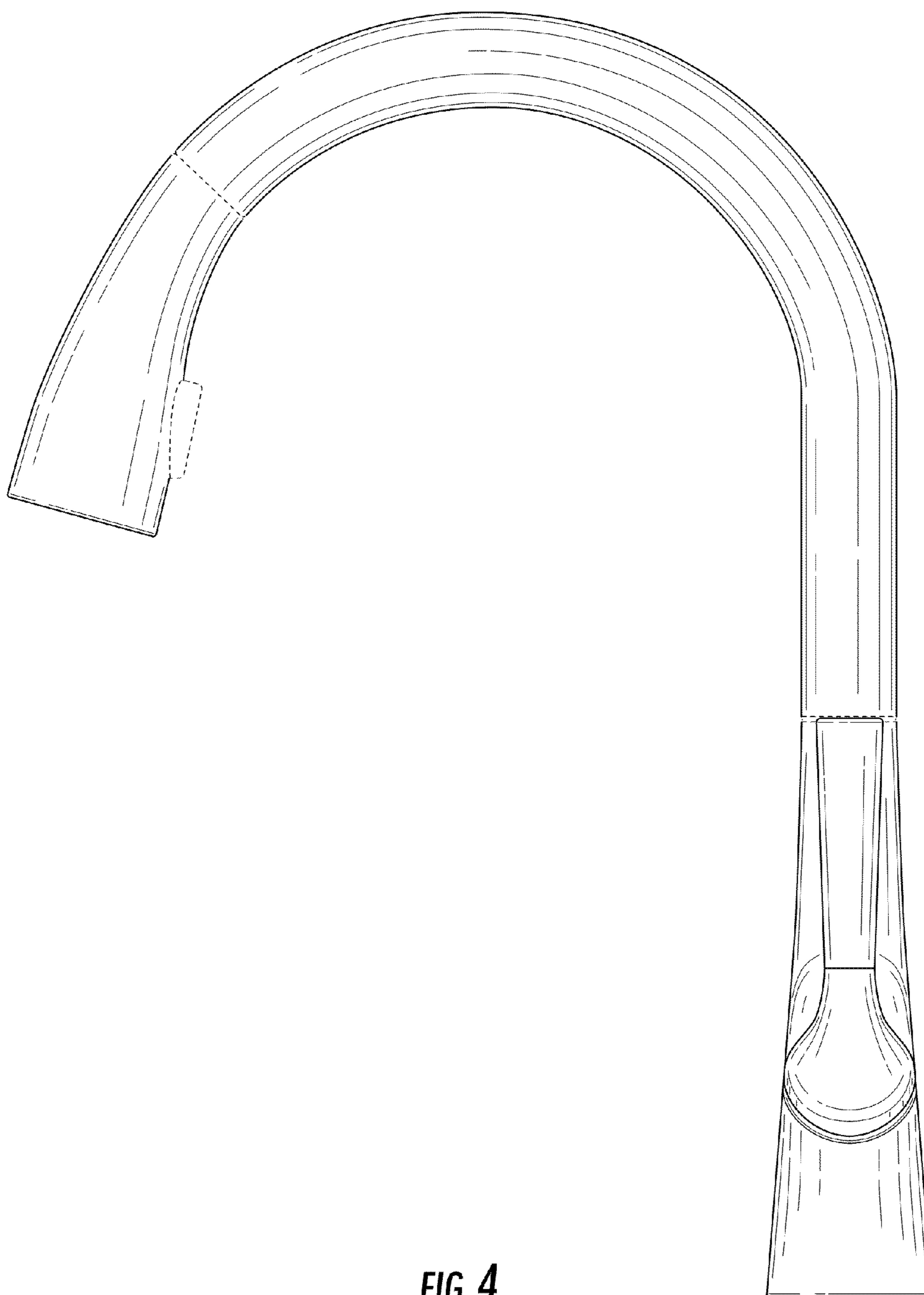


FIG. 4

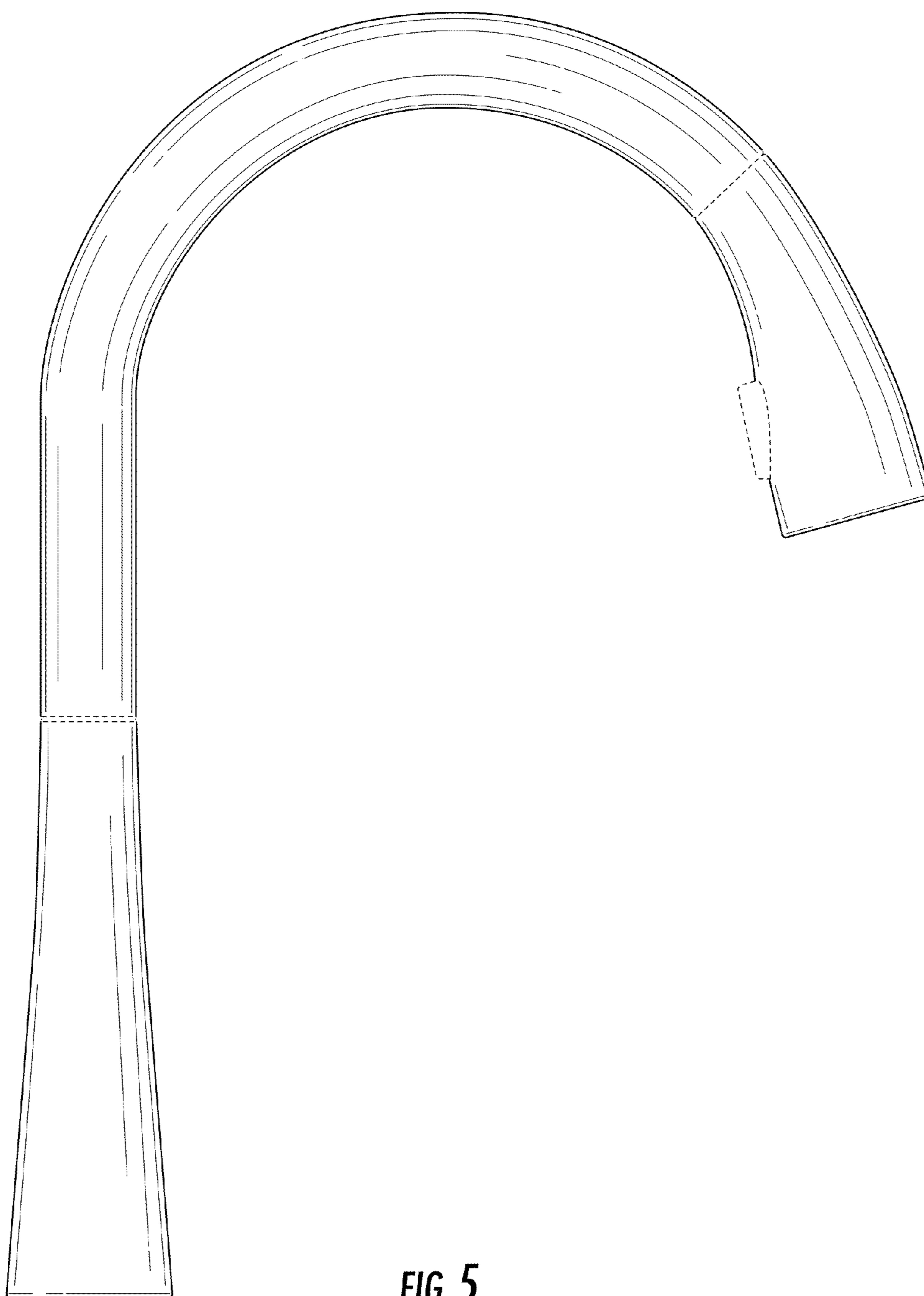


FIG. 5

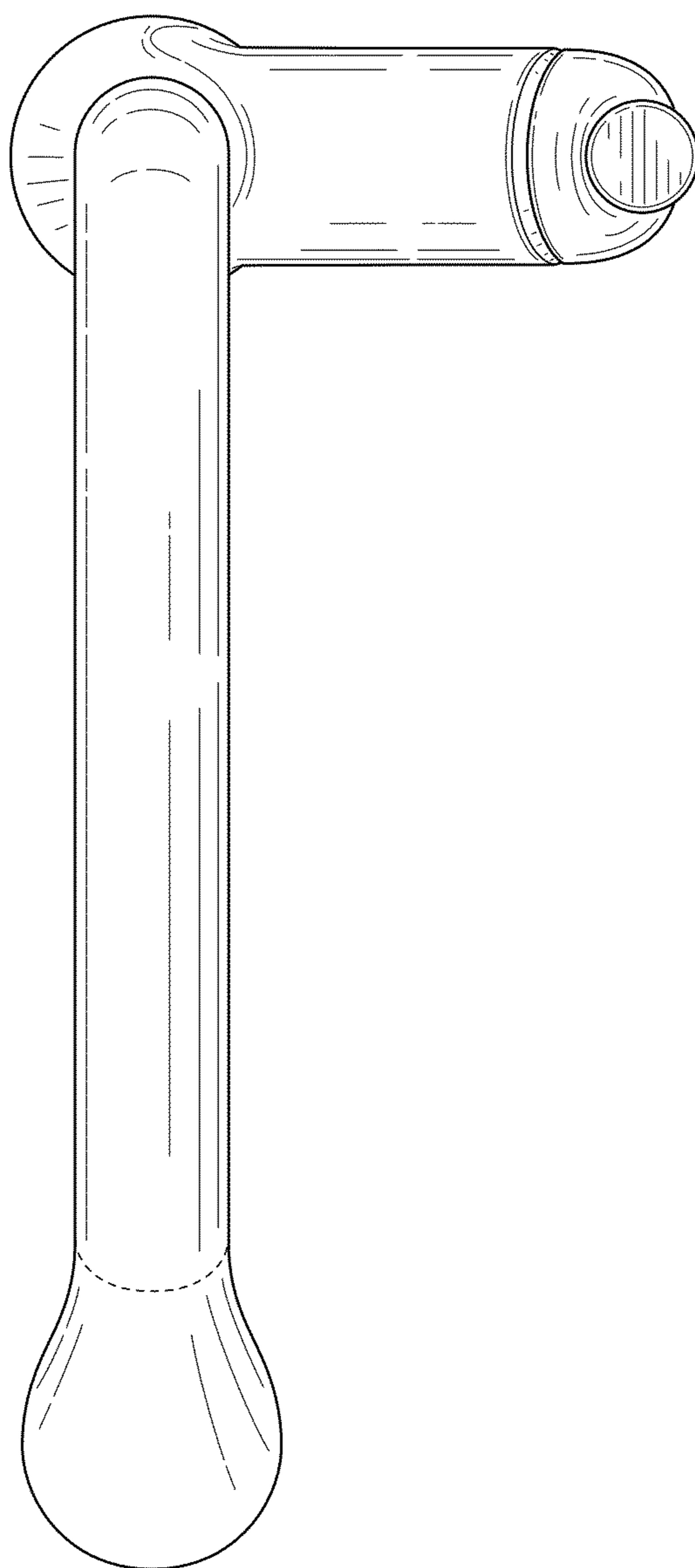


FIG. 6

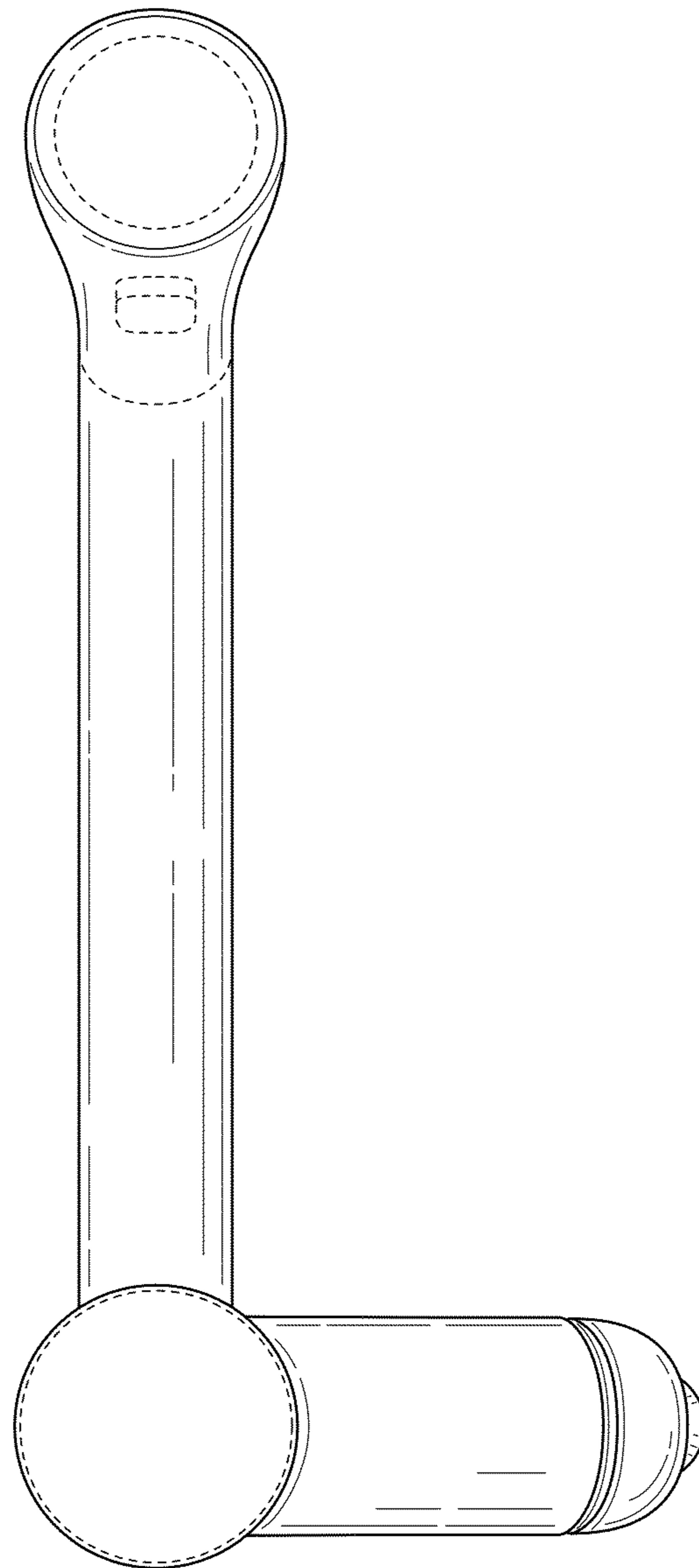


FIG. 7