

US00D703788S

(12) **United States Design Patent**  
**Sisk**

(10) **Patent No.:** **US D703,788 S**

(45) **Date of Patent:** **\*\* Apr. 29, 2014**

(54) **UNIVERSAL HANDLE EXTENSION FOR UNLOADING BUTTERFLY VALVE FOR TANK TRAILER OR OTHER VEHICLE**

(71) Applicant: **David E. Sisk**, Bonne Terre, MO (US)

(72) Inventor: **David E. Sisk**, Bonne Terre, MO (US)

(73) Assignee: **Bulk Tank, Inc.**, Park Hills, MO (US)

(\*\*) Term: **14 Years**

(21) Appl. No.: **29/421,924**

(22) Filed: **Oct. 19, 2012**

(51) **LOC (10) Cl.** ..... **23-01**

(52) **U.S. Cl.**  
USPC ..... **D23/233**

(58) **Field of Classification Search**  
USPC ..... D23/233-237, 244-249; 137/385, 15,  
137/357, 270, 625.41; 251/293, 95, 99,  
251/104; 70/177; 239/373  
See application file for complete search history.

(56) **References Cited**

**U.S. PATENT DOCUMENTS**

1,183,343 A \* 5/1916 Chalupa ..... 251/146  
2,780,369 A \* 2/1957 Kaney ..... 406/94  
4,289,163 A \* 9/1981 Pierson ..... 137/587

D412,966 S \* 8/1999 Albea ..... D23/233  
7,207,500 B2 \* 4/2007 Hudson et al. .... 239/332  
D678,472 S \* 3/2013 Sisk ..... D23/233  
2004/0227013 A1 \* 11/2004 Byron et al. .... 239/337  
2012/0241657 A1 \* 9/2012 Sisk ..... 251/293

\* cited by examiner

*Primary Examiner* — Cynthia Ramirez

(74) *Attorney, Agent, or Firm* — Paul M Denk

(57) **CLAIM**

The ornamental design for an universal handle extension for unloading butterfly valve for tank trailer or other vehicle, as shown and described.

**DESCRIPTION**

FIG. 1 is a left side view of the universal handle extension for unloading butterfly valve for tank trailer or other vehicle of this invention;

FIG. 2 is a top plan view;

FIG. 3 is a bottom view;

FIG. 4 is a right side view;

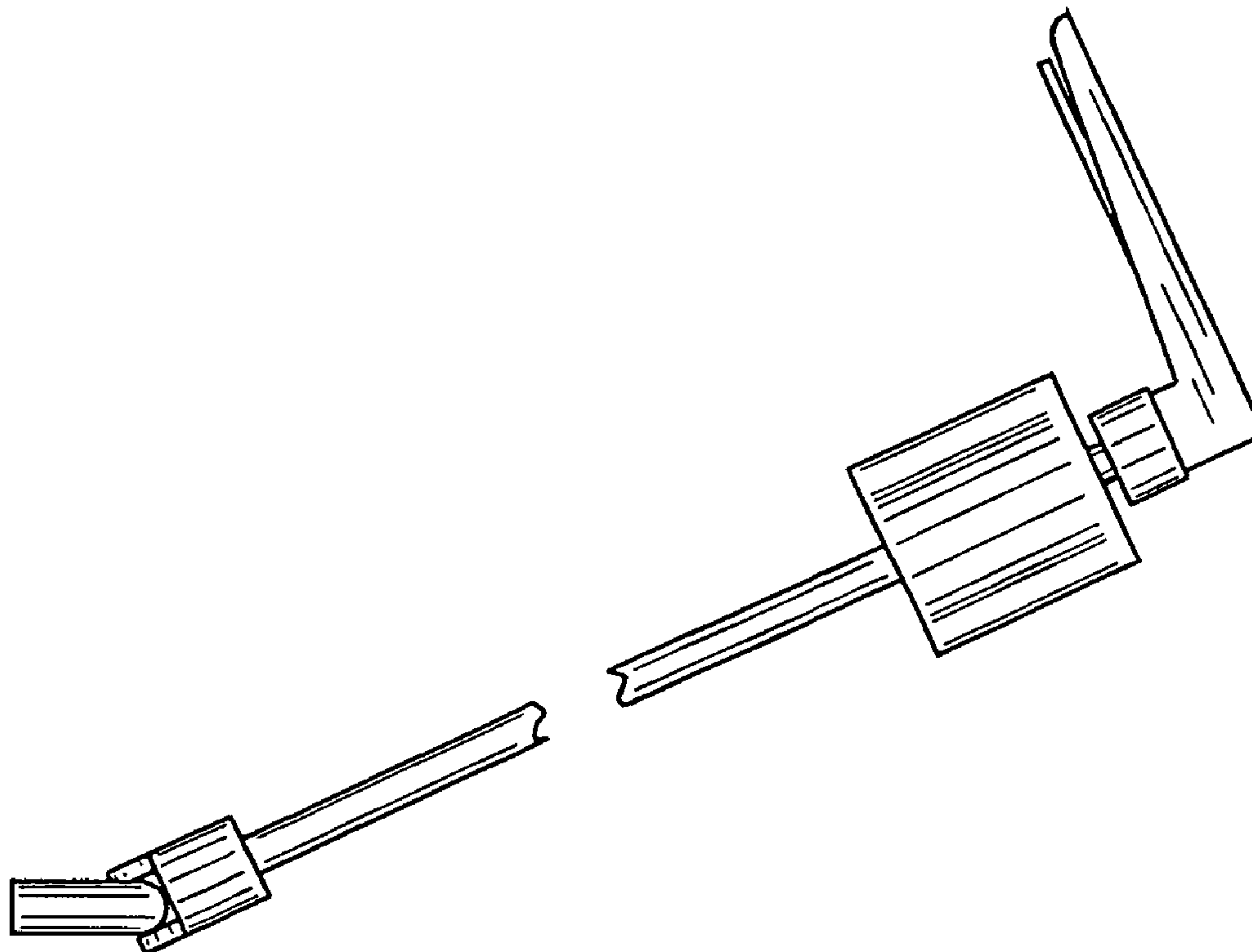
FIG. 5 is a left side view;

FIG. 6 is a lower end view of the extension; and,

FIG. 7 is an upper end view of the extension.

The handle is shown broken away to indicate that no specific length is being claimed.

**1 Claim, 2 Drawing Sheets**



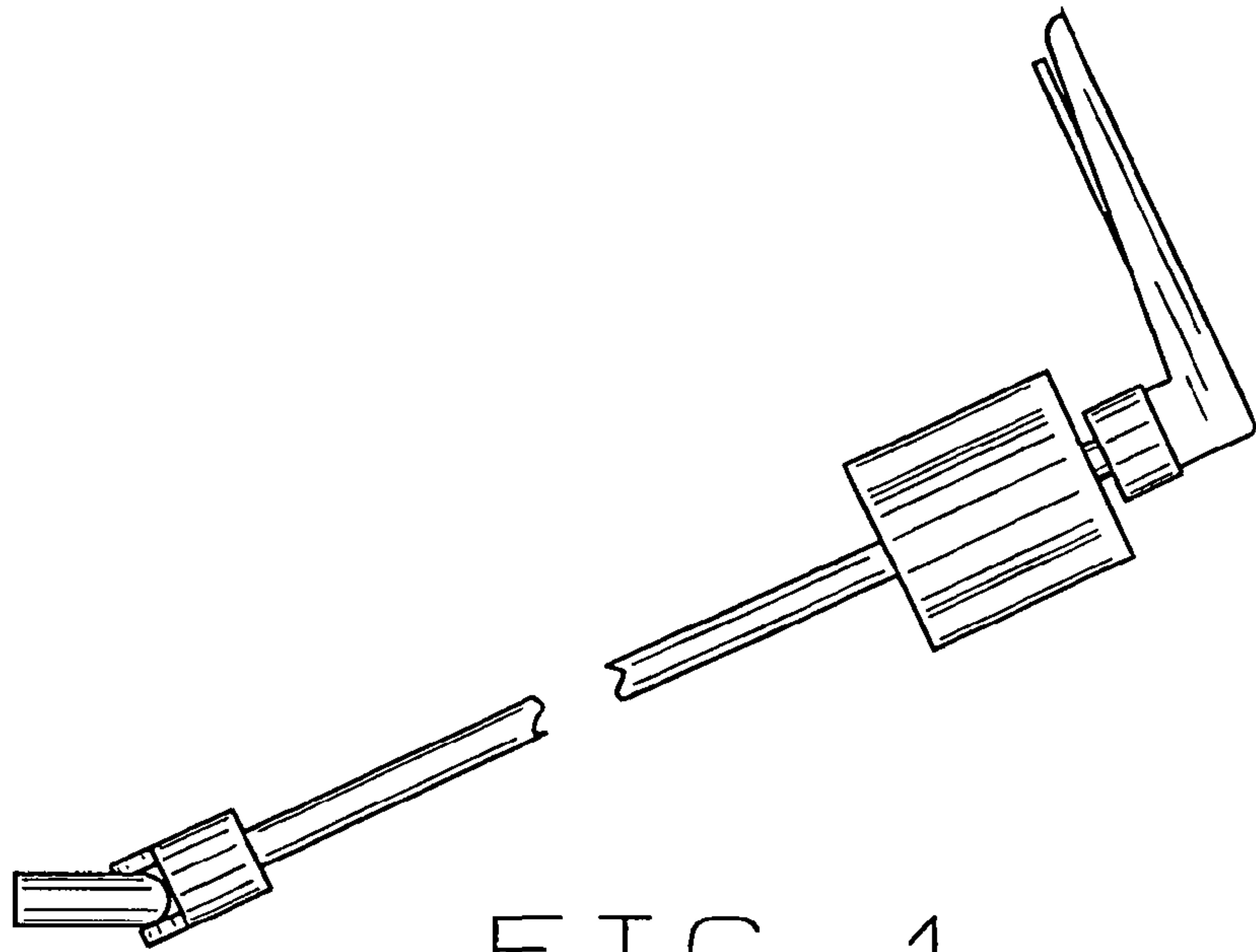


FIG. 1

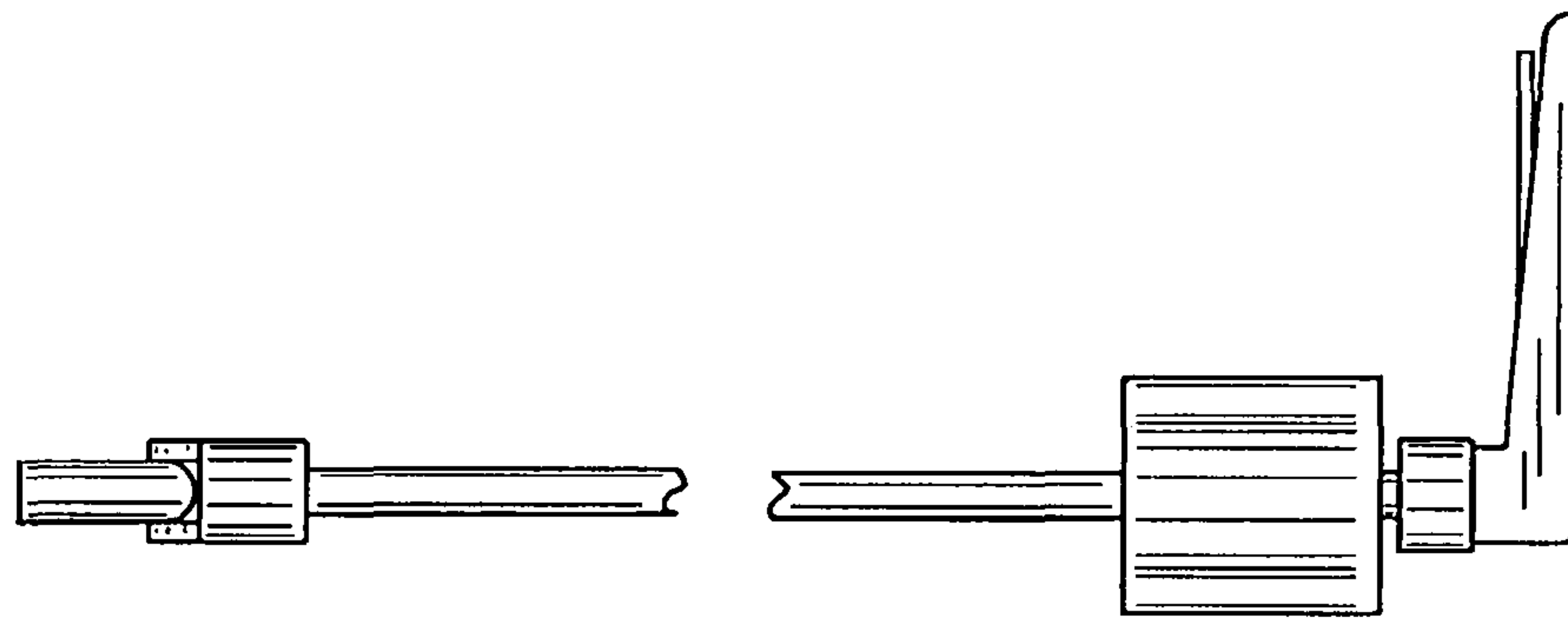


FIG. 2

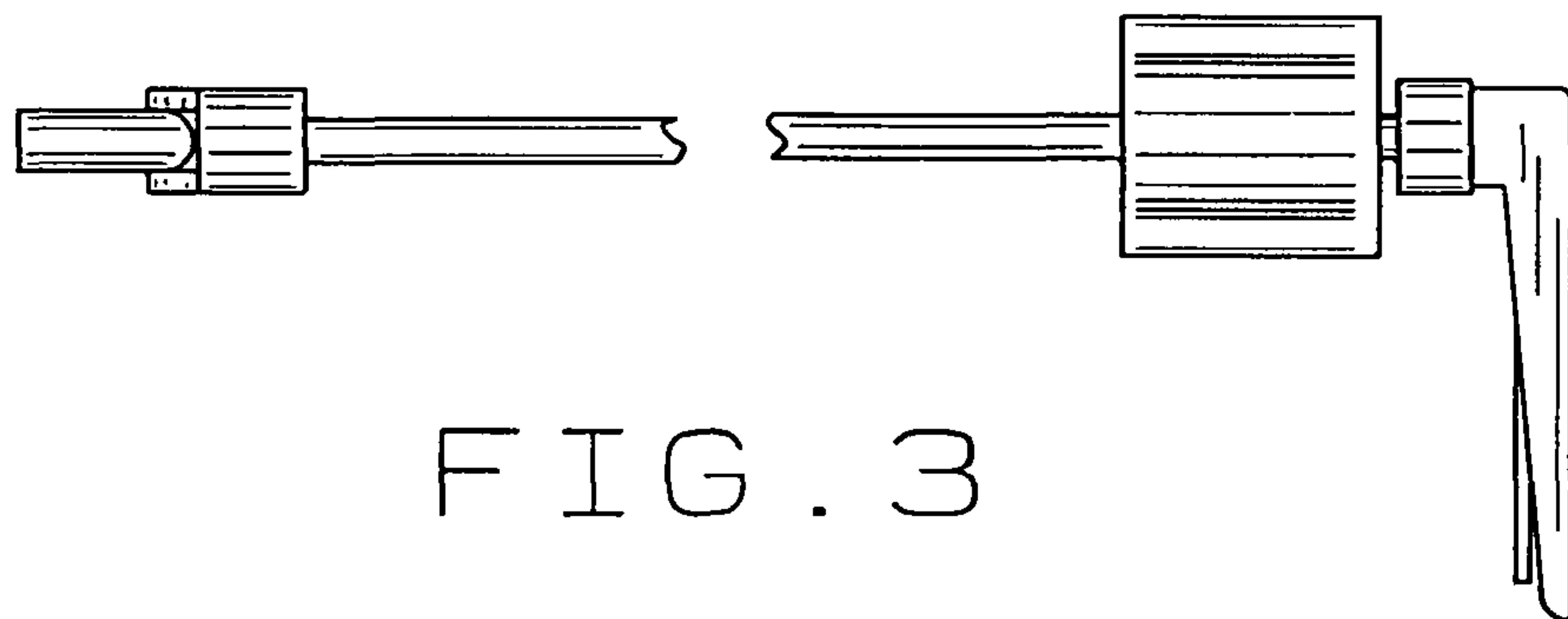


FIG. 3

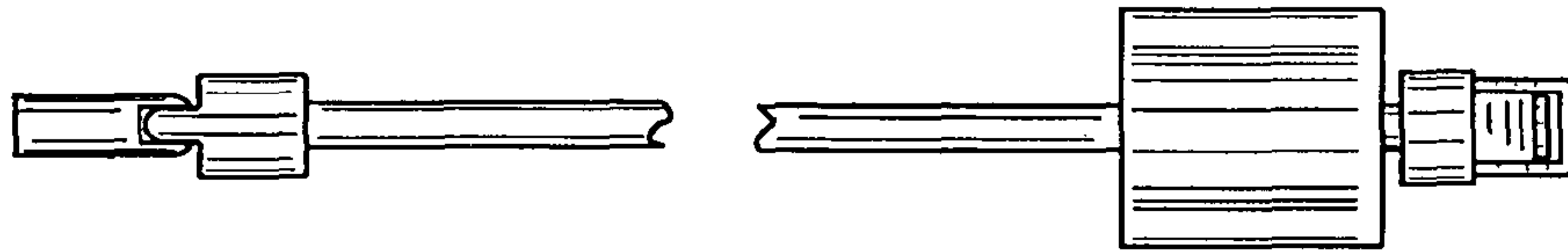


FIG. 4

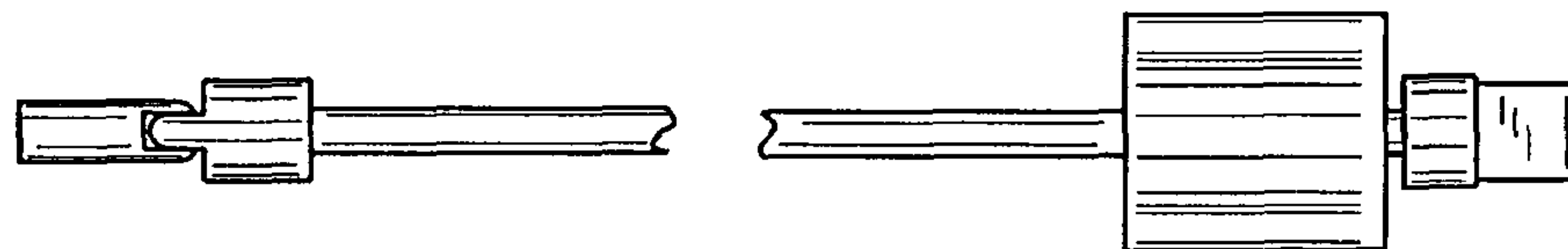


FIG. 5

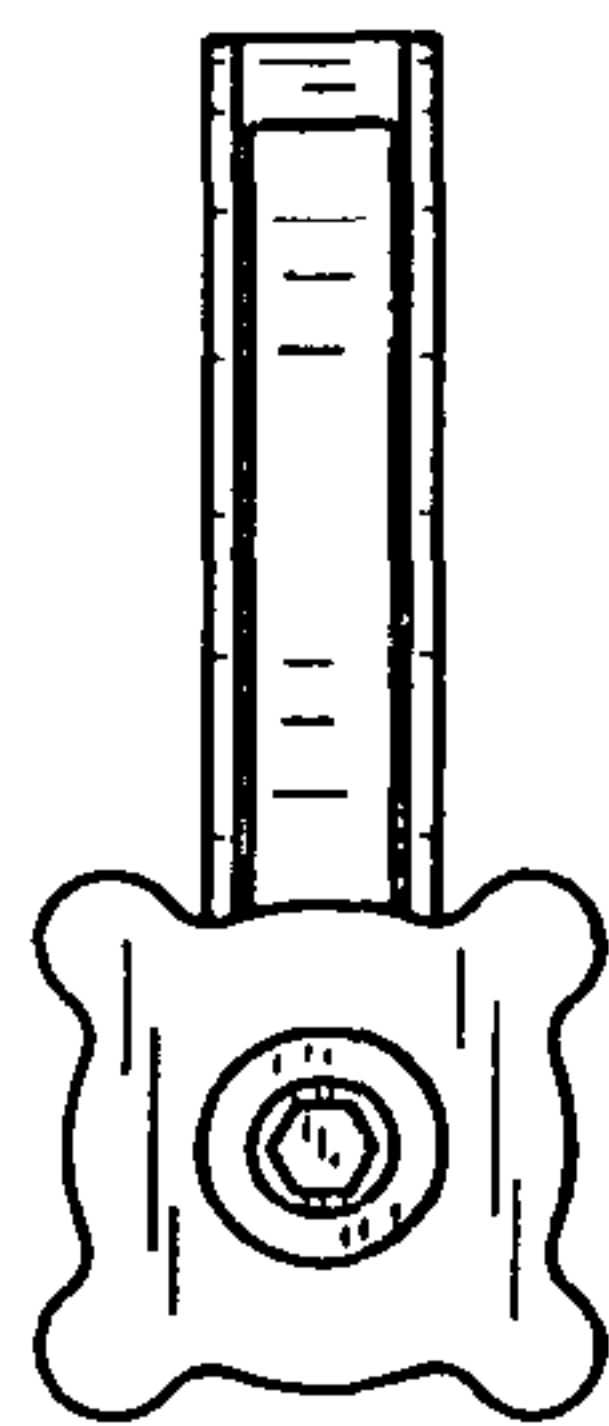


FIG. 6

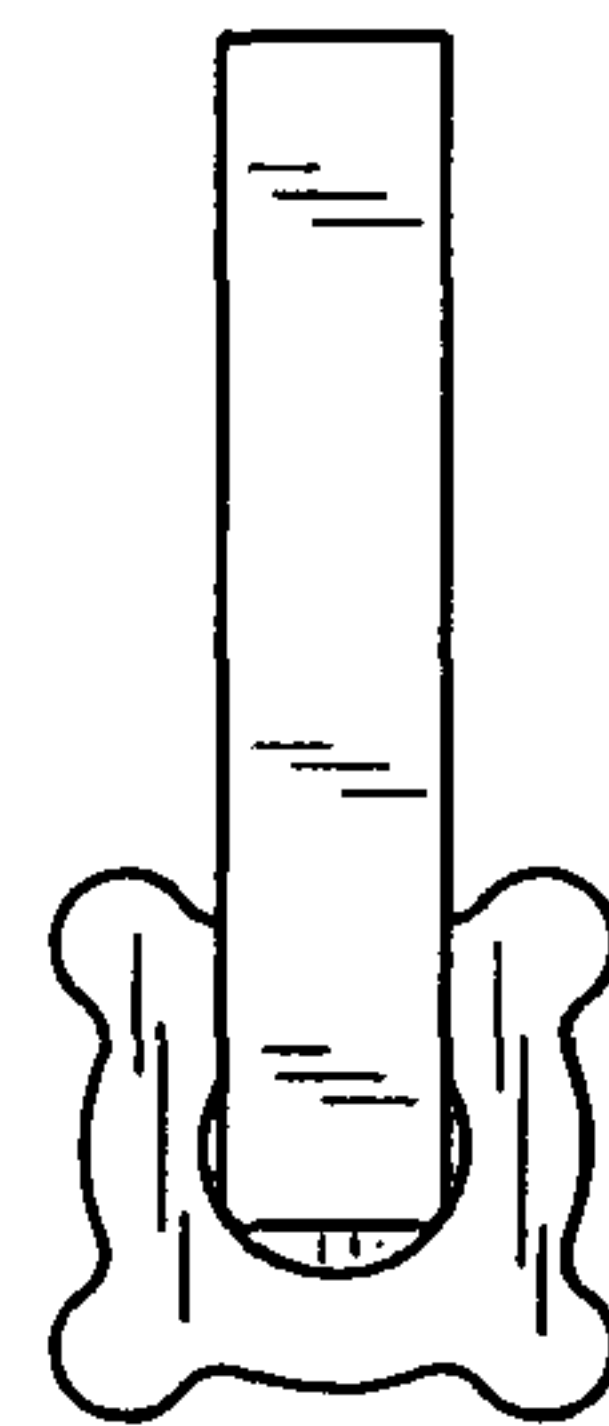


FIG. 7