



US00D703786S

(12) **United States Design Patent**  
**Westin**

(10) **Patent No.:** **US D703,786 S**  
(45) **Date of Patent:** **\*\* Apr. 29, 2014**

(54) **FISHING APPARATUS**

(71) Applicant: **Donald Westin**, Bloomington, MN (US)

(72) Inventor: **Donald Westin**, Bloomington, MN (US)

(\*\*) Term: **14 Years**

(21) Appl. No.: **29/468,153**

(22) Filed: **Sep. 26, 2013**

**Related U.S. Application Data**

(63) Continuation of application No. 13/225,503, filed on Sep. 5, 2011.

(51) **LOC (10) CI.** ..... **22-05**

(52) **U.S. Cl.**  
USPC ..... **D22/129**

(58) **Field of Classification Search**  
USPC ..... D3/126-133; 43/42.13, 42.74, 42.4,  
43/44.84, 42.43, 43.15, 42.11, 44.82,  
43/42.26

See application file for complete search history.

(56) **References Cited**

U.S. PATENT DOCUMENTS

D240,921	S	*	8/1976	Taylor	.....	D22/129
D668,735	S	*	10/2012	Steckelberg	.....	D22/129
D674,461	S	*	1/2013	Woller	.....	D22/129
8,347,547	B1	*	1/2013	Houdek	.....	43/42.13
D684,236	S	*	6/2013	Rago	.....	D22/129

\* cited by examiner

*Primary Examiner* — Catheri Oliver-Garcia

(74) *Attorney, Agent, or Firm* — Superior IP, PLLC; Dustin L. Call

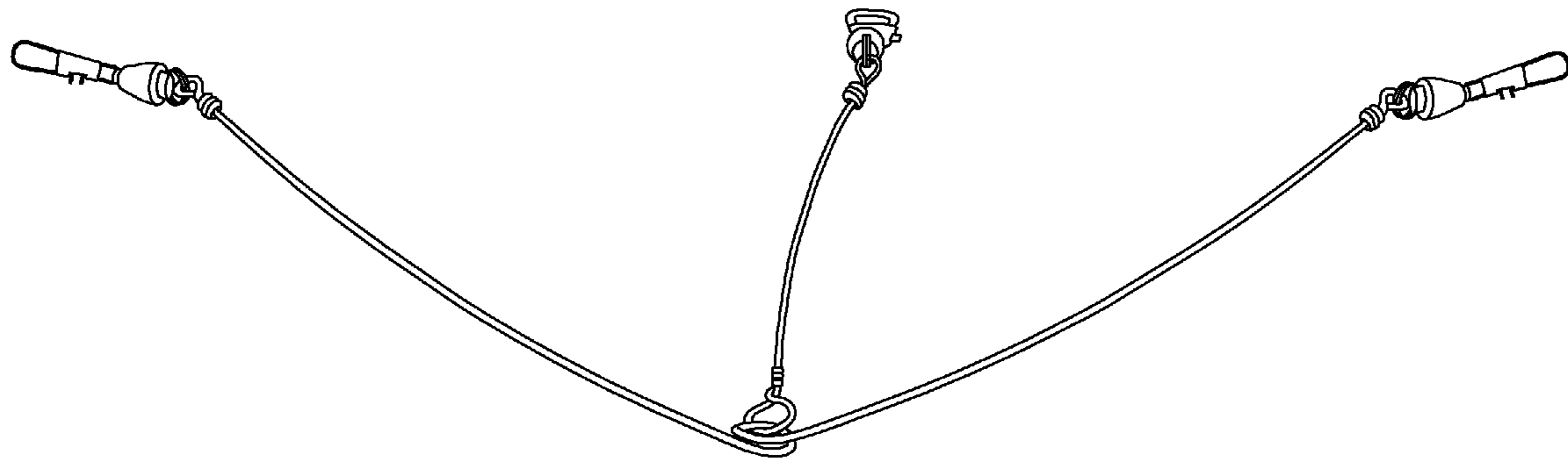
(57) **CLAIM**

The ornamental design for a fishing apparatus, as shown and described.

**DESCRIPTION**

FIG. 1 is a top view of the fishing apparatus; FIG. 2 is a bottom view thereof; and, FIG. 3 is top perspective view thereof.

**1 Claim, 3 Drawing Sheets**



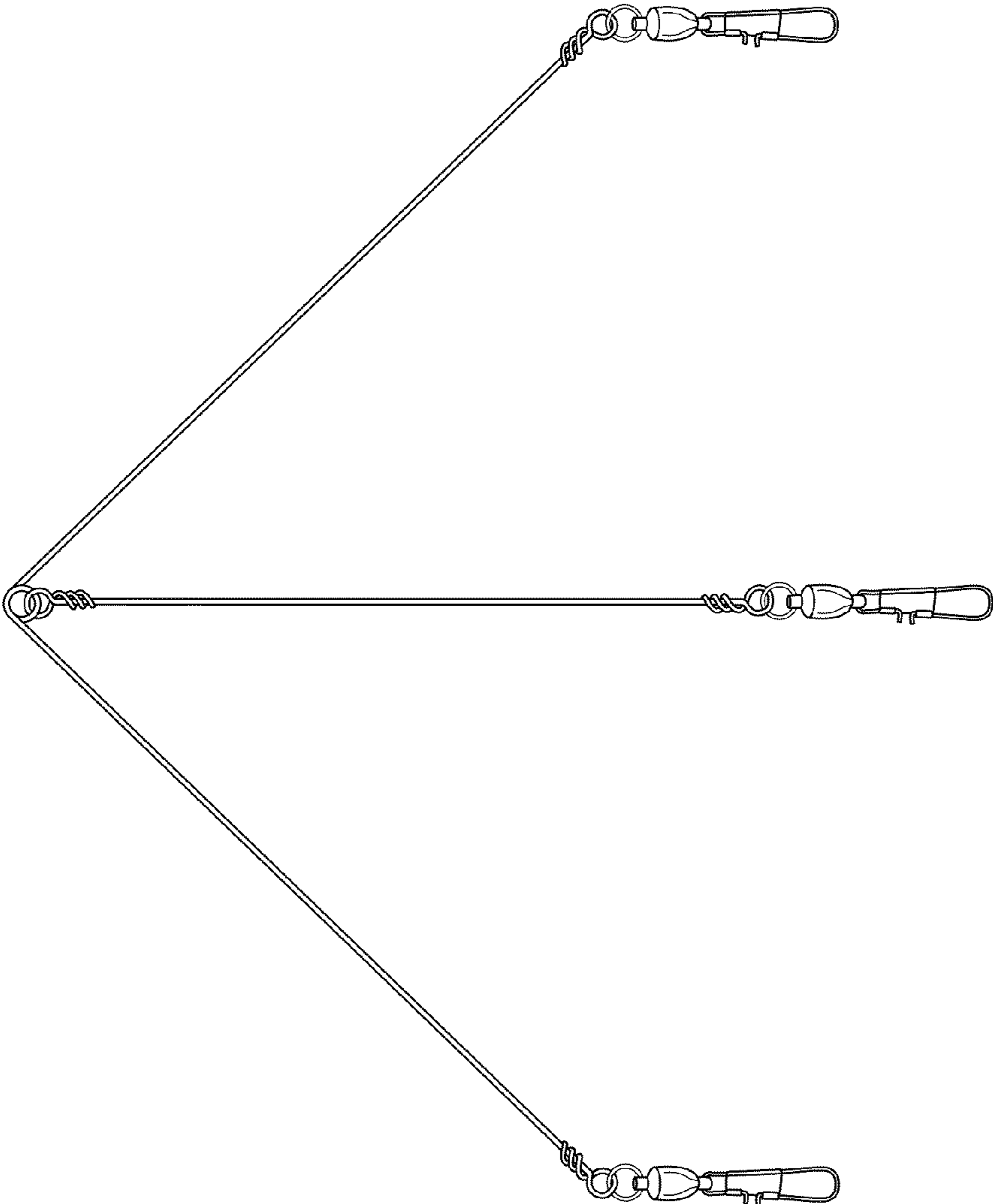


FIG. 1

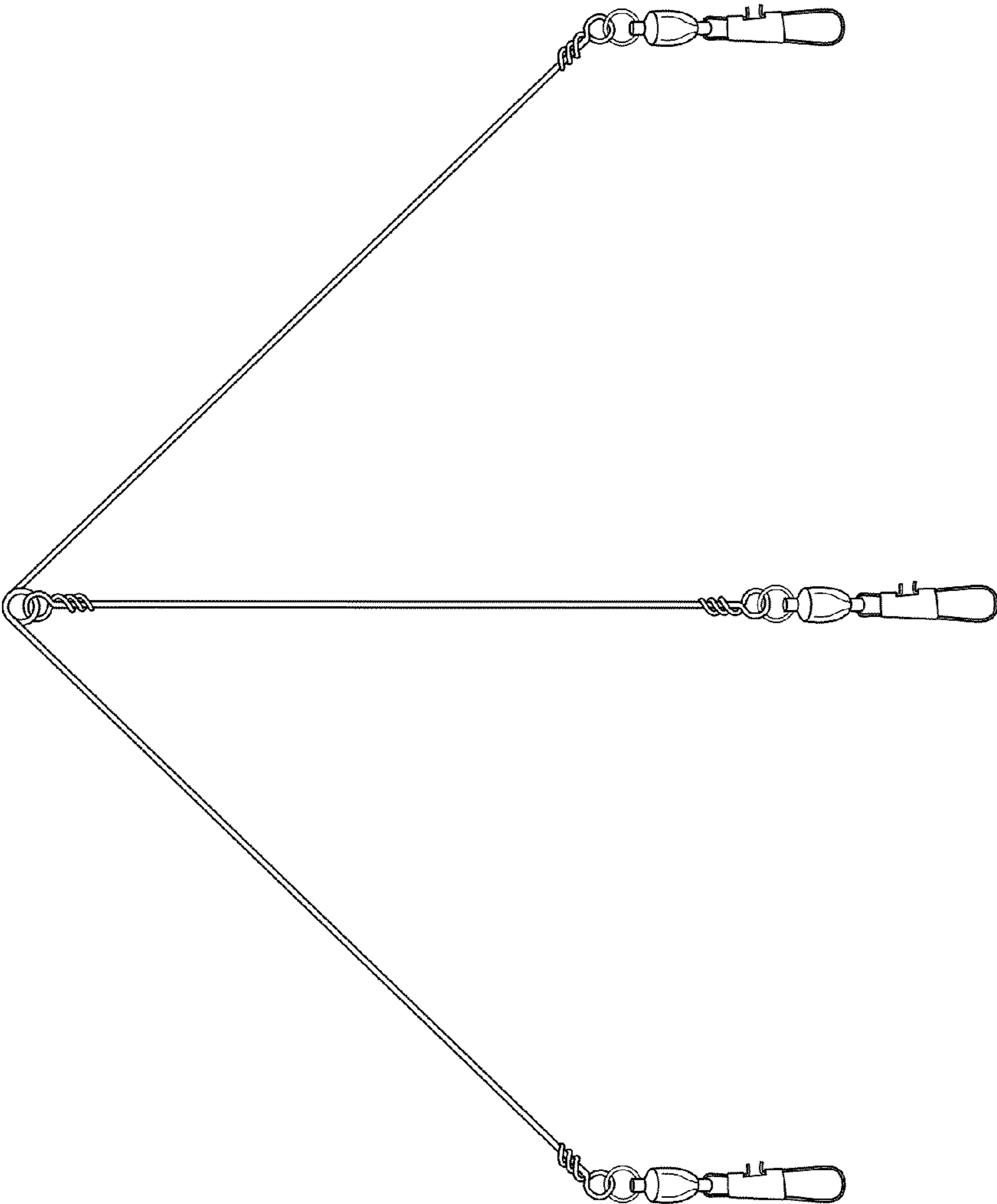


FIG. 2

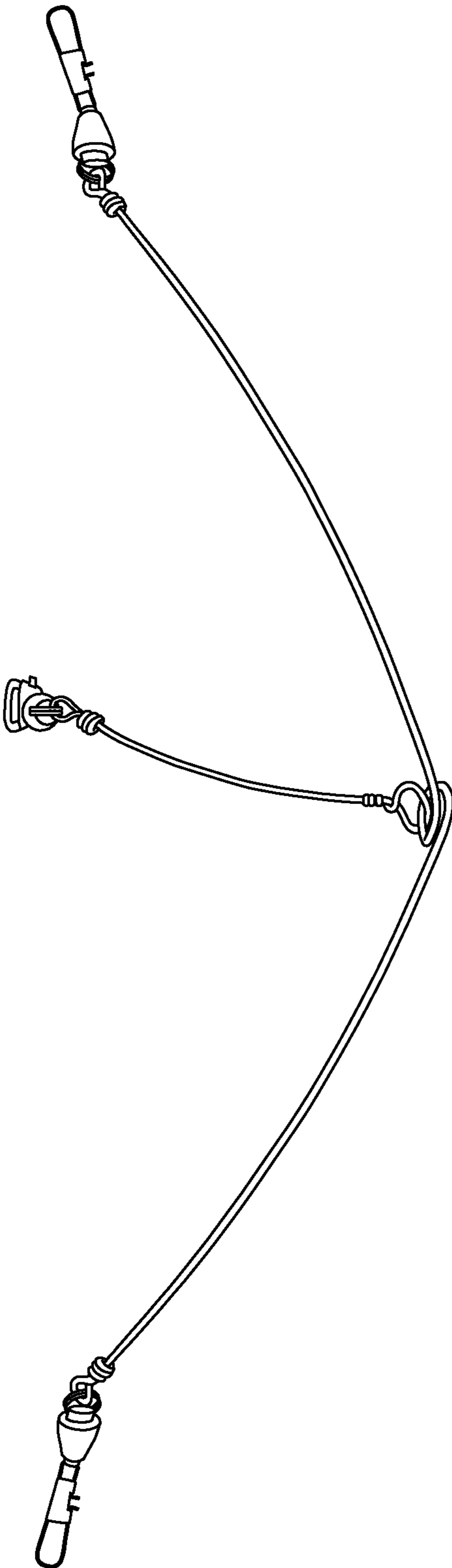


FIG. 3