



US00D703785S

(12) **United States Design Patent**
McKenna

(10) **Patent No.:** **US D703,785 S**
(45) **Date of Patent:** **** Apr. 29, 2014**

- (54) **BIRD DETERRENT**
- (71) Applicant: **Edward McKenna**, York, ME (US)
- (72) Inventor: **Edward McKenna**, York, ME (US)
- (**) Term: **14 Years**
- (21) Appl. No.: **29/460,849**
- (22) Filed: **Jul. 16, 2013**
- (51) **LOC (10) Cl.** **22-06**
- (52) **U.S. Cl.**
USPC **D22/120**
- (58) **Field of Classification Search**
USPC D22/119-124; 52/101, 107; 119/57.9,
119/713, 903; 43/1, 58, 108, 119, 132.1
See application file for complete search history.

- 5,433,029 A * 7/1995 Donoho et al. 43/1
- D546,410 S * 7/2007 Wiesener et al. D22/120
- D672,425 S * 12/2012 Mayers et al. D22/120
- 8,479,457 B2 * 7/2013 Donoho 52/101
- D693,899 S * 11/2013 Donoho et al. D22/119

* cited by examiner

Primary Examiner — Catheri Oliver-Garcia

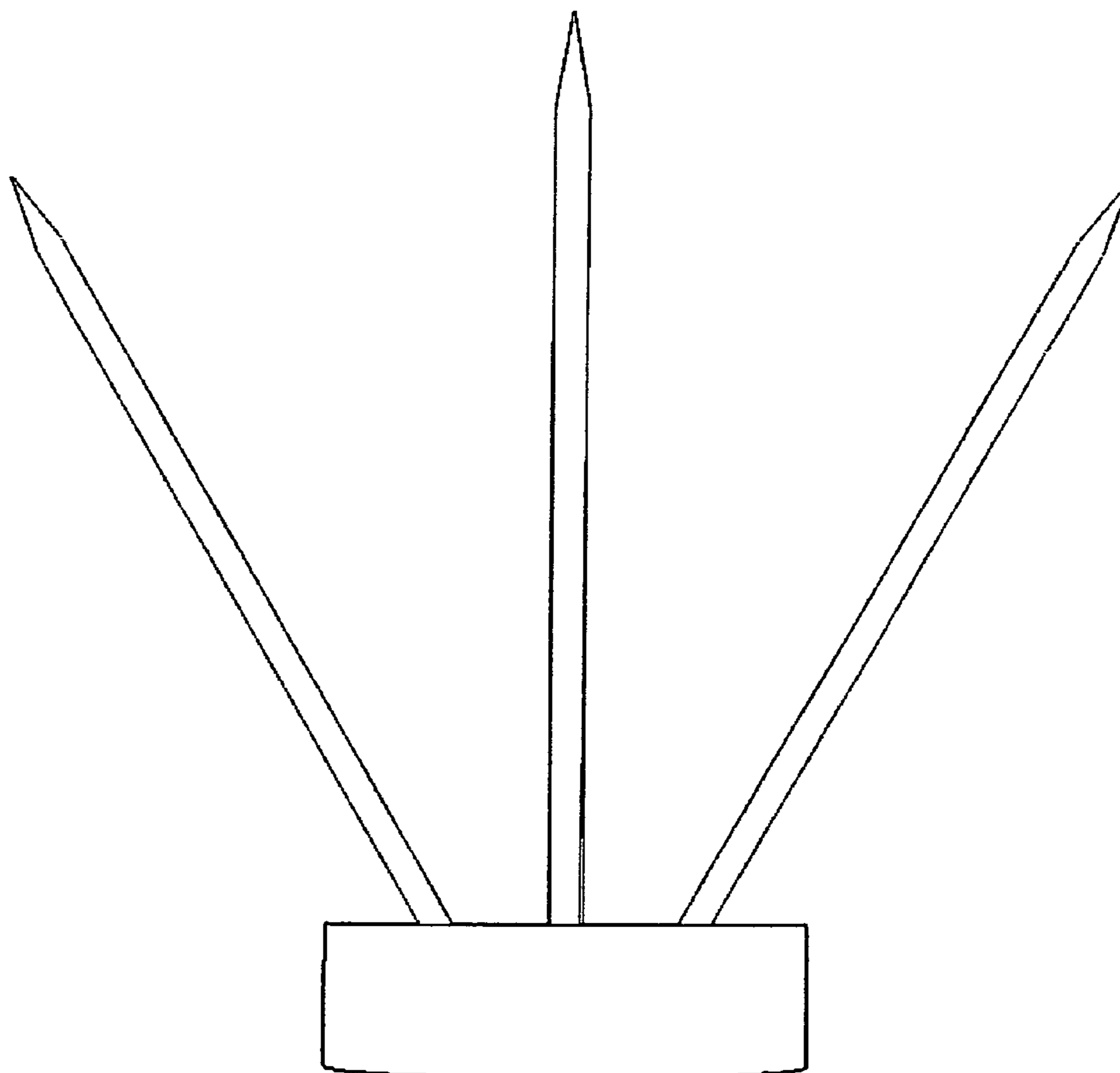
(57) **CLAIM**
The ornamental design for a bird deterrent, as shown and described.

DESCRIPTION

FIG. 1 is a perspective view of the bird deterrent in accordance with the invention;
FIG. 2 is a top view thereof;
FIG. 3 is a bottom view thereof;
FIG. 4 is a left side view thereof;
FIG. 5 is a right side view thereof;
FIG. 6 is a front view thereof; and,
FIG. 7 is a rear view thereof.

- (56) **References Cited**
U.S. PATENT DOCUMENTS
3,282,000 A * 11/1966 Shaw et al. 52/101
5,253,444 A * 10/1993 Donoho et al. 43/1

1 Claim, 7 Drawing Sheets



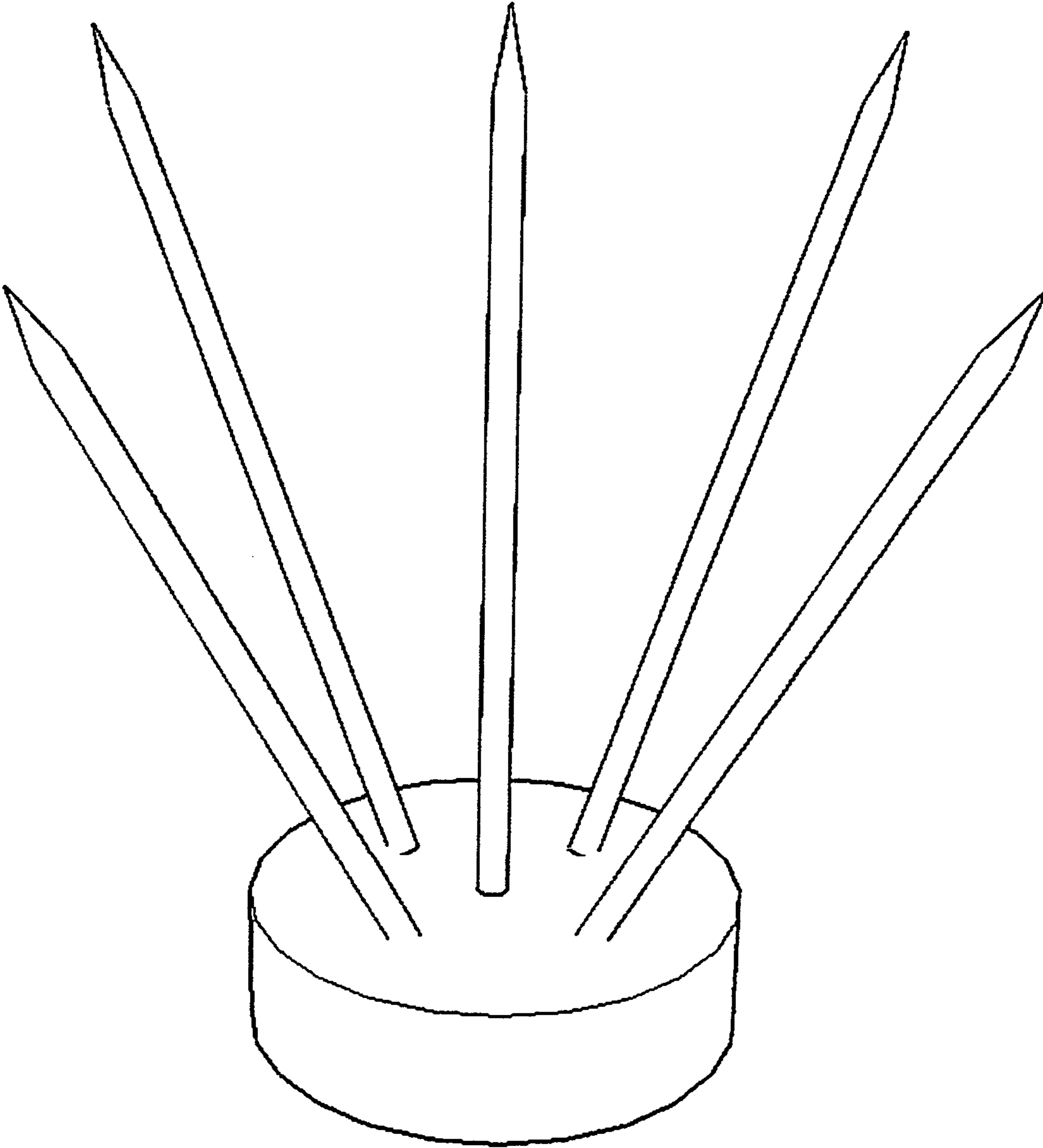


Fig. 1

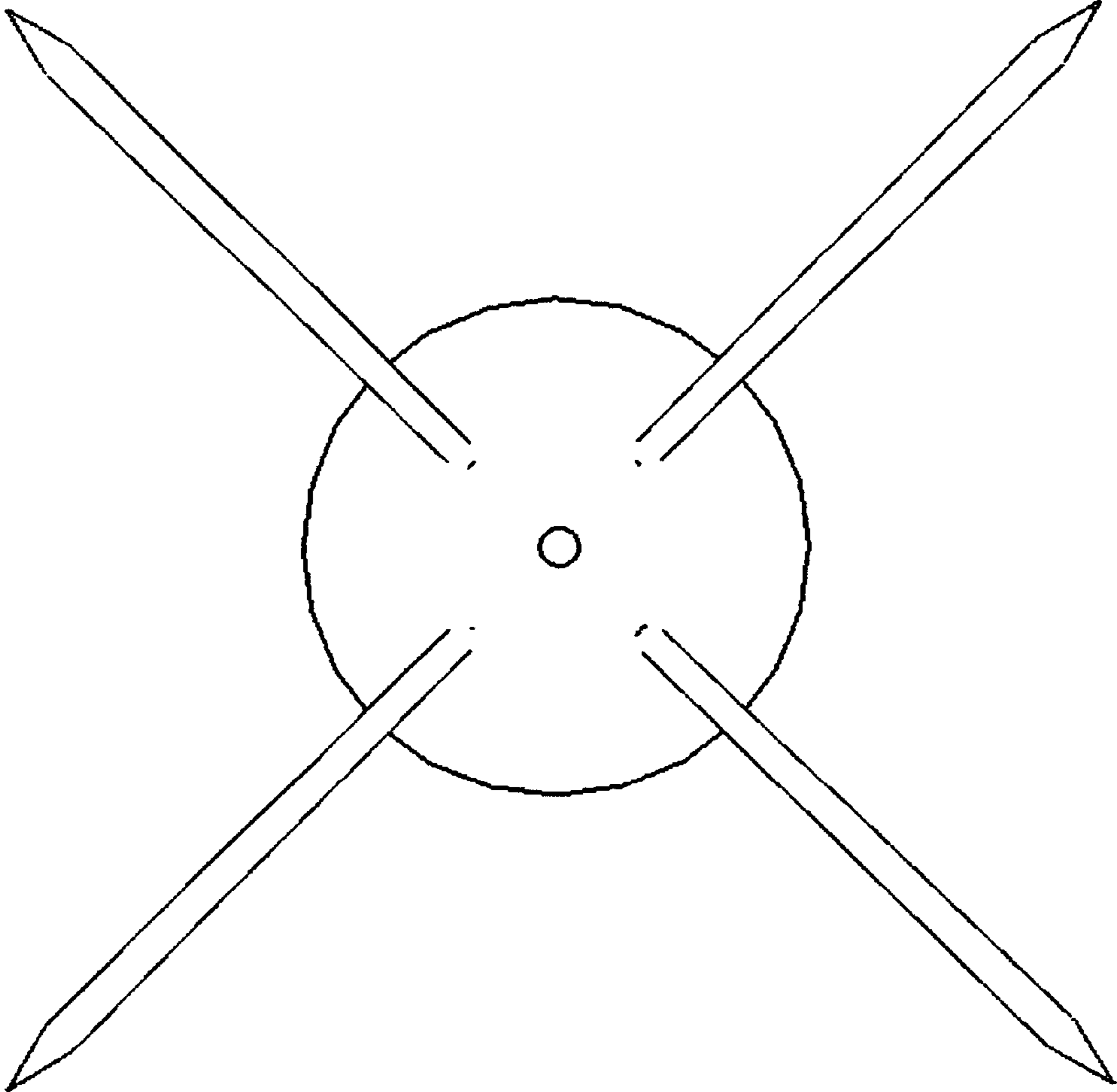


Fig. 2

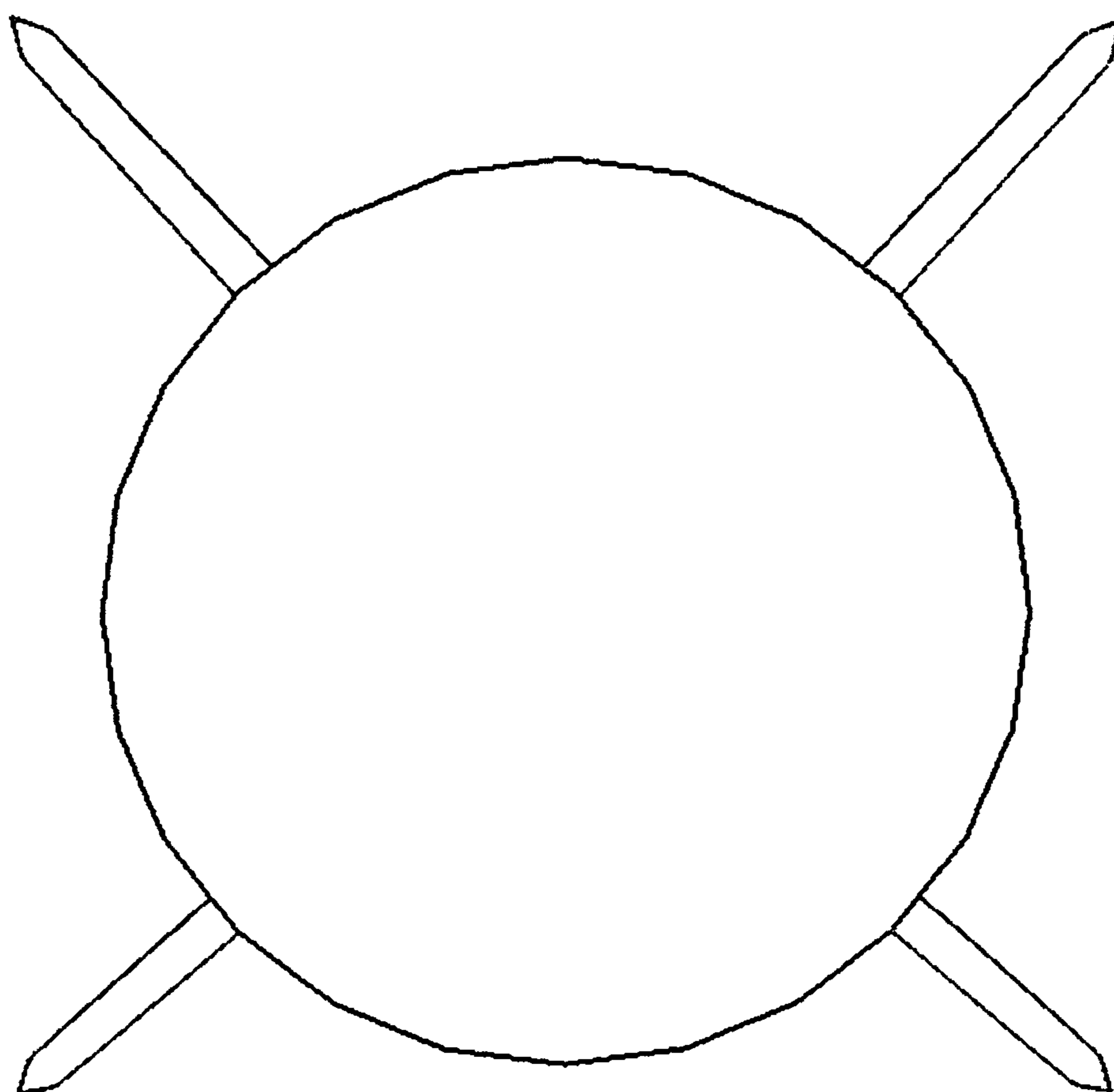


Fig. 3

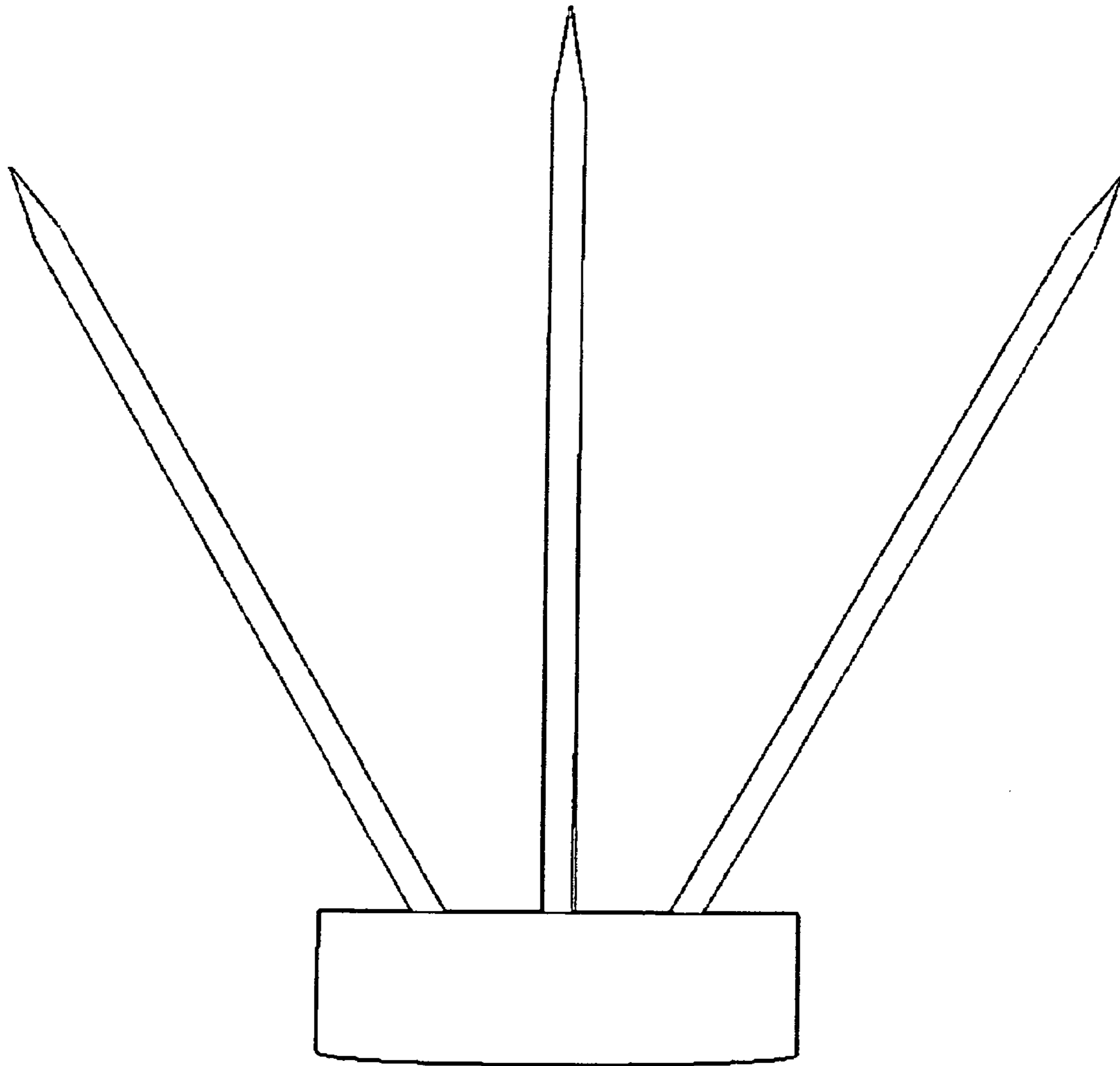


Figure 4

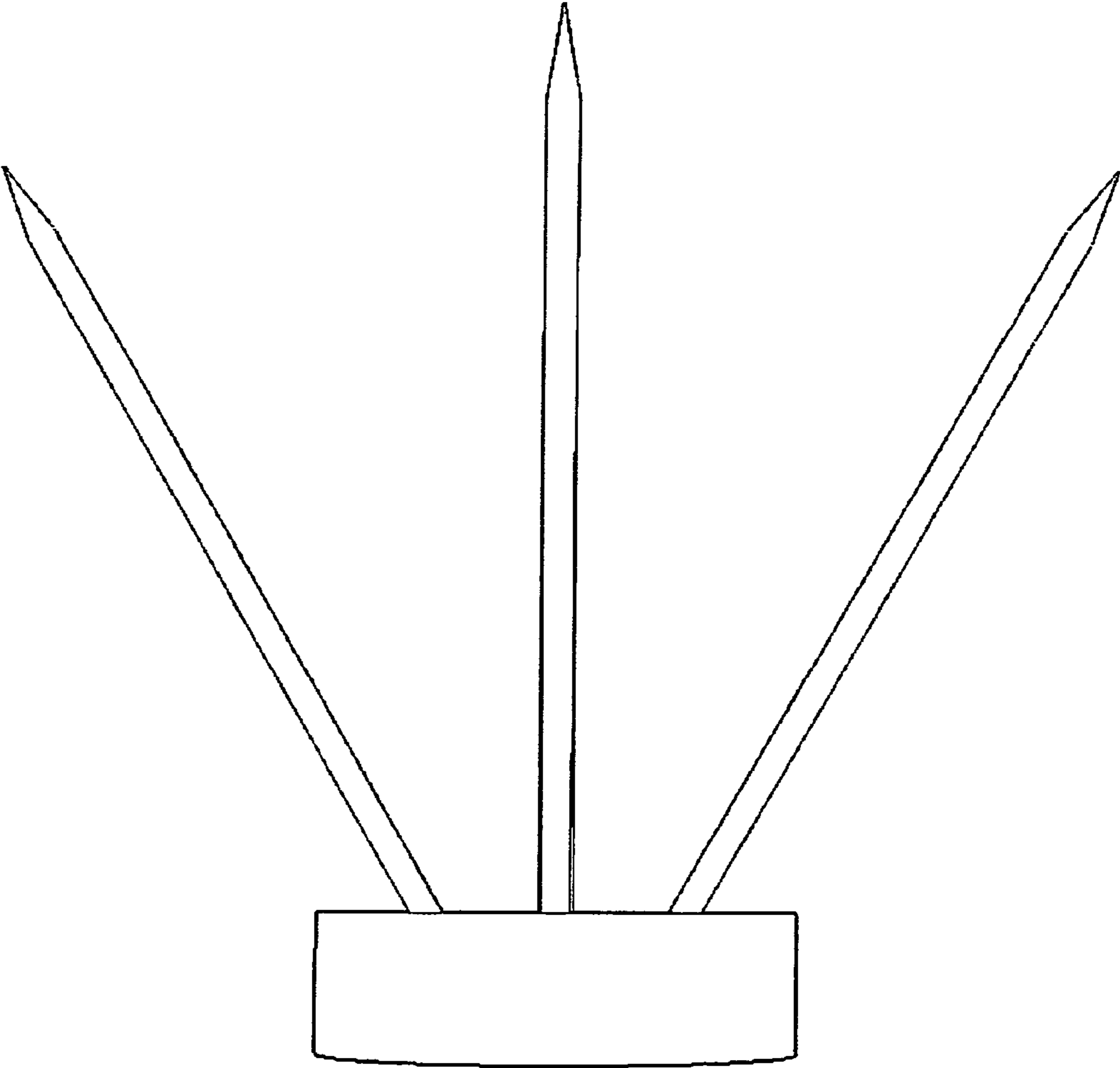


Figure 5

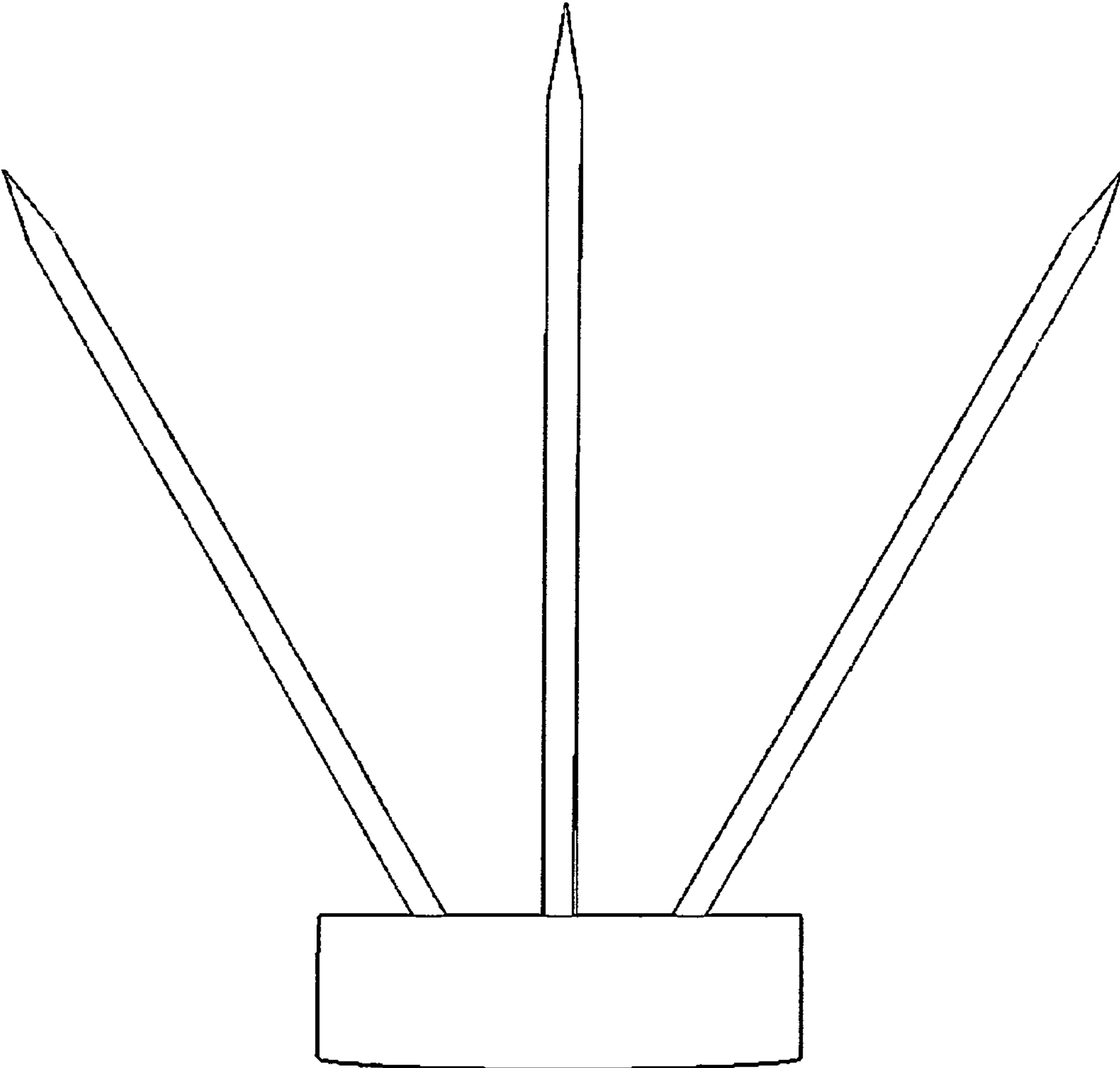


Figure 6

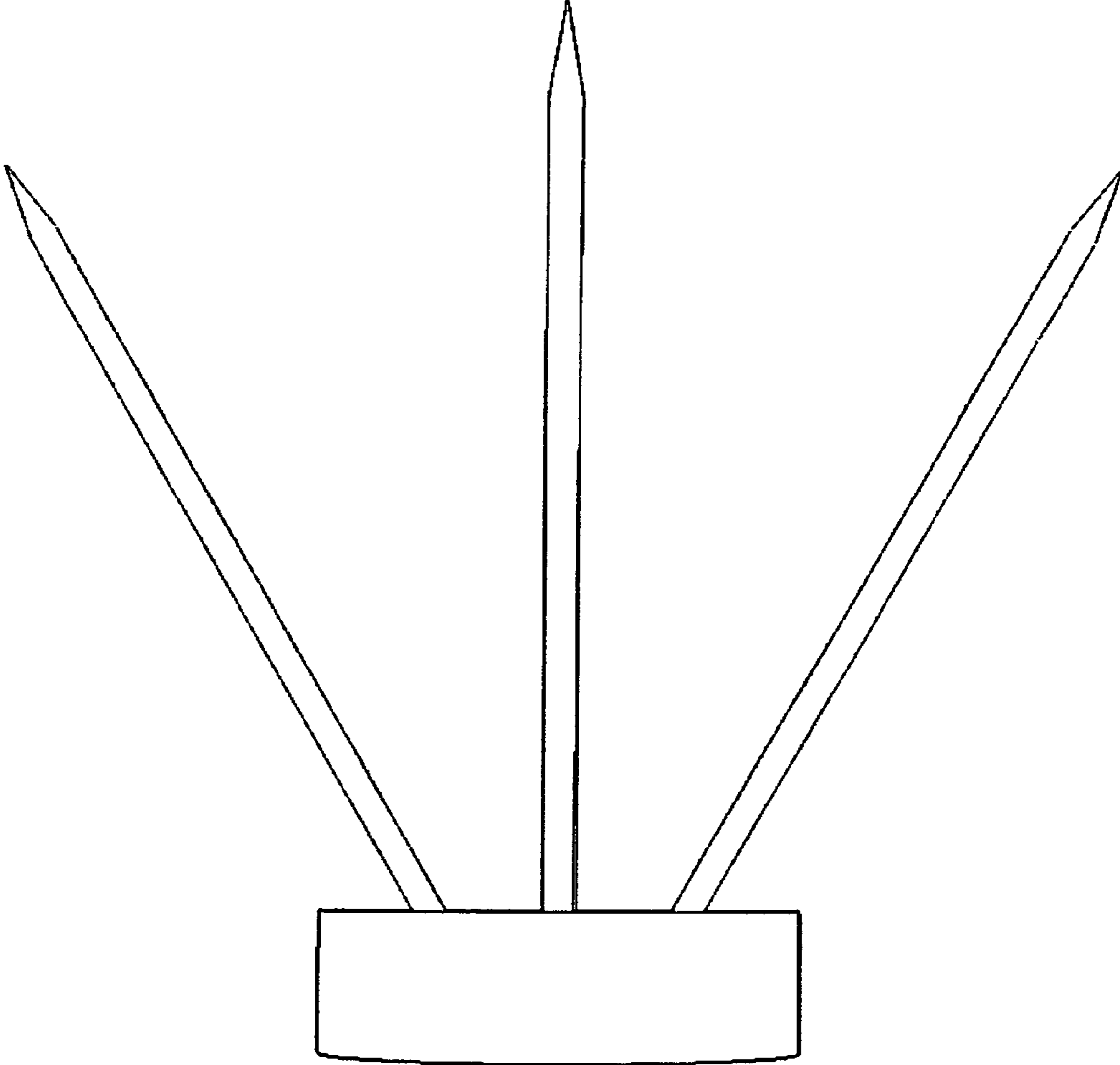


Figure 7