



US00D703784S

(12) **United States Design Patent**  
**Smith**

(10) **Patent No.:** **US D703,784 S**  
(45) **Date of Patent:** **\*\* Apr. 29, 2014**

(54) **RETICLE FOR A RIFLESCOPE OR OTHER PROJECTILE-WEAPON AIMING DEVICE**

(71) Applicant: **Leupold & Stevens, Inc.**, Beaverton, OR (US)

(72) Inventor: **Trenton S. Smith**, Forest Grove, OR (US)

(73) Assignee: **Leupold & Stevens, Inc.**, Beaverton, OR (US)

(\*\*) Term: **14 Years**

(21) Appl. No.: **29/434,477**

(22) Filed: **Oct. 12, 2012**

(51) **LOC (10) Cl.** ..... **22-01**

(52) **U.S. Cl.**  
USPC ..... **D22/109**

(58) **Field of Classification Search**  
USPC ..... D22/108-109; 250/467.1; D14/404;  
D16/130-133, 134-136; 356/21, 138,  
356/139, 139.1, 139.02; 33/227, 297, 298,  
33/299; 42/111, 113, 122, 124, 130,  
42/134-135; 235/414; 89/19, 161,  
89/200-204; 359/424, 428

See application file for complete search history.

(56) **References Cited**

**U.S. PATENT DOCUMENTS**

7,325,353 B2 \* 2/2008 Cole et al. .... 42/119  
D679,776 S \* 4/2013 Bracken et al. .... D22/109

D679,777 S \* 4/2013 Bracken et al. .... D22/109  
D680,187 S \* 4/2013 Bracken et al. .... D22/109  
D684,653 S \* 6/2013 Smith et al. .... D22/109  
8,656,630 2/2014 Sammut  
2012/0137567 A1 \* 6/2012 Sammut ..... 42/130  
2012/0186130 A1 \* 7/2012 Tubb ..... 42/122

**FOREIGN PATENT DOCUMENTS**

WO WO2013/106280 7/2013

\* cited by examiner

*Primary Examiner* — Michael A Pratt

(57) **CLAIM**

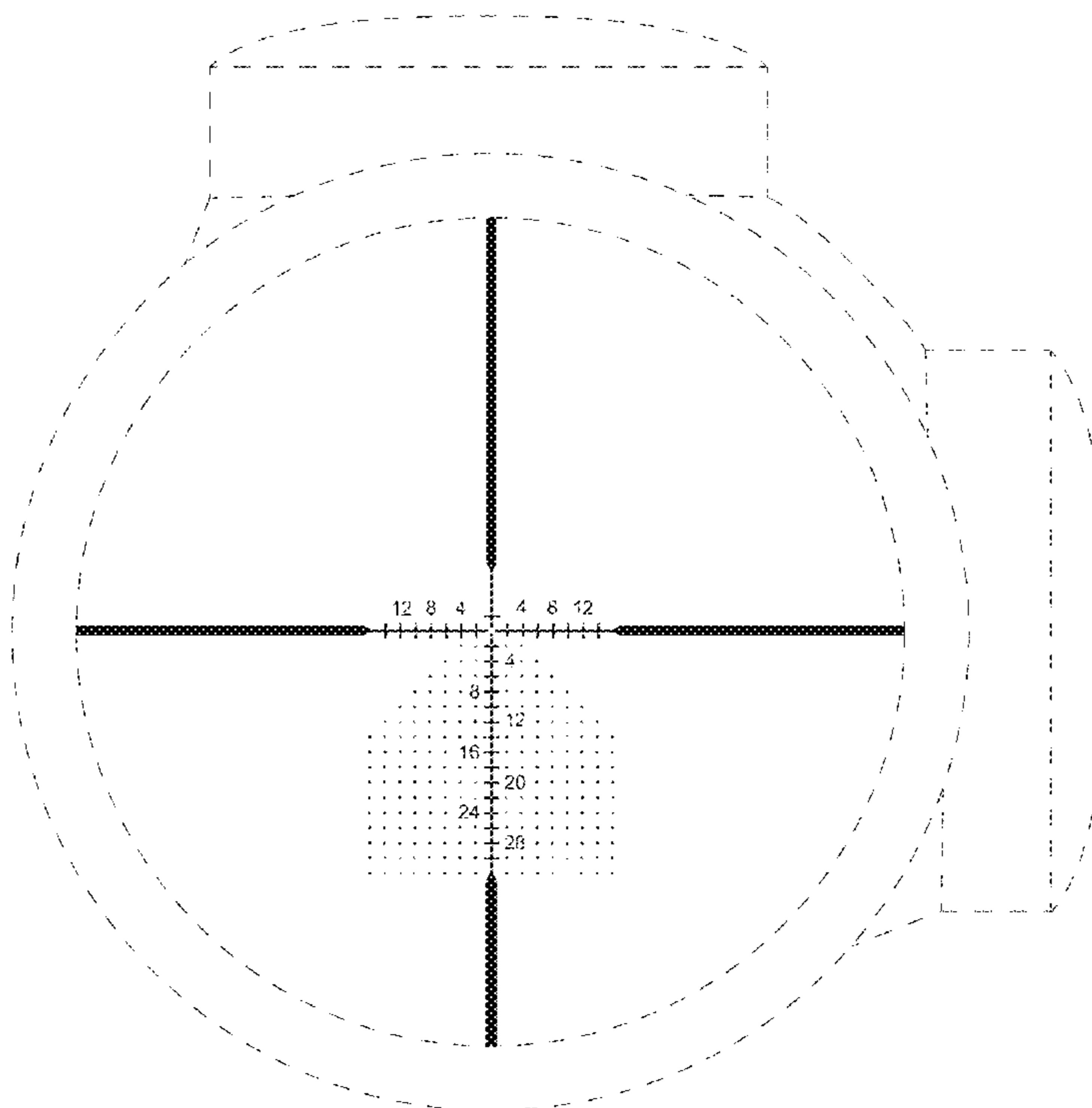
I claim the ornamental design for a reticle for a riflescope or other projectile-weapon aiming device, as shown and described.

**DESCRIPTION**

FIG. 1 is a view of a reticle for a riflescope or other projectile-weapon aiming device, as viewed through an eyepiece end of a riflescope, according to a first embodiment; FIG. 2 is a view of a reticle for a riflescope or other projectile-weapon aiming device, as viewed through an eyepiece end of a riflescope, according to a second embodiment; and, FIG. 3 is an isometric view of an environment of use for the reticles of FIG. 1 or 2.

In FIGS. 1, 2, and 3, the dashed lines indicate environmental features that form no part of the claimed ornamental design.

**1 Claim, 3 Drawing Sheets**



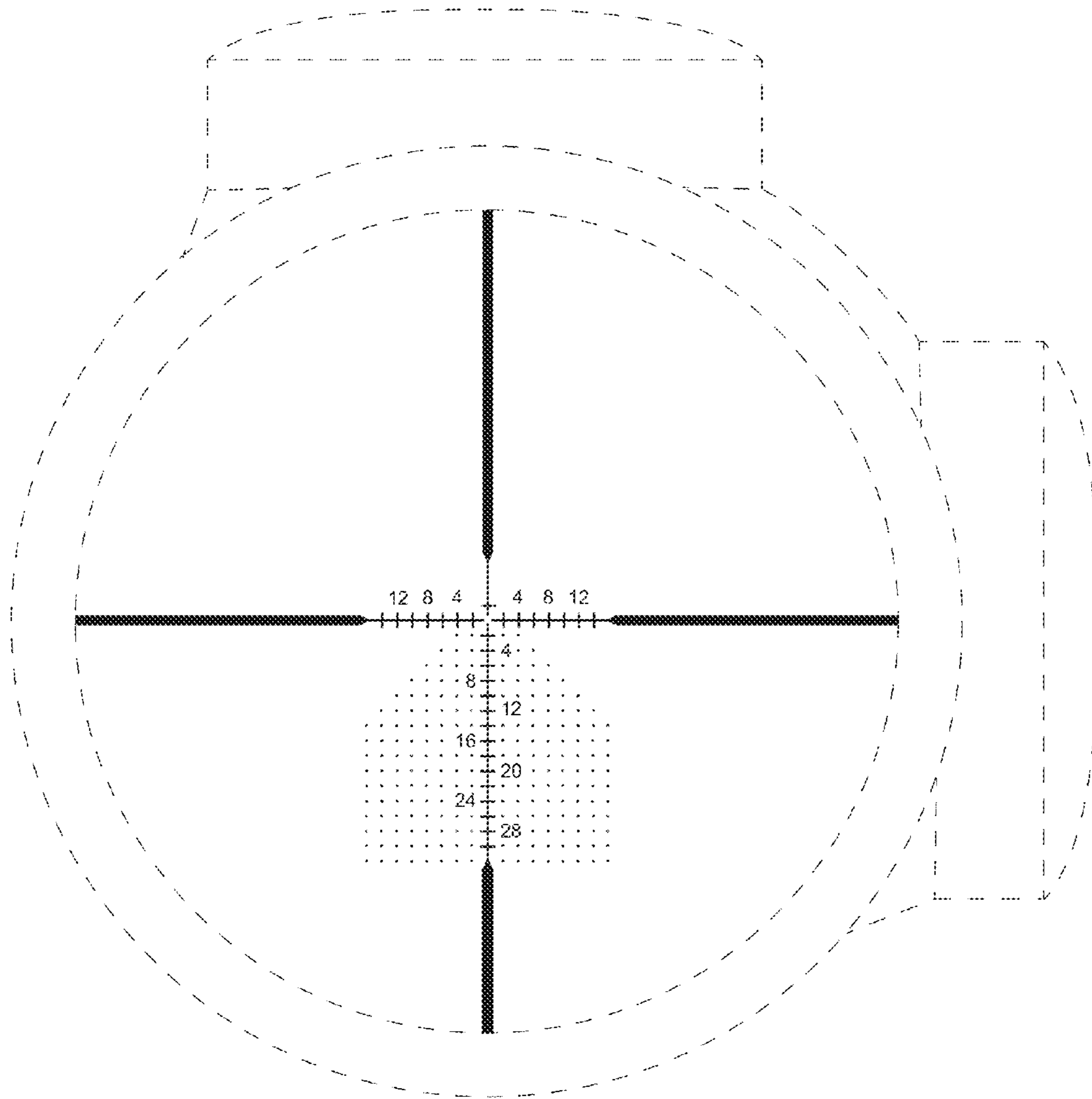


FIG. 1

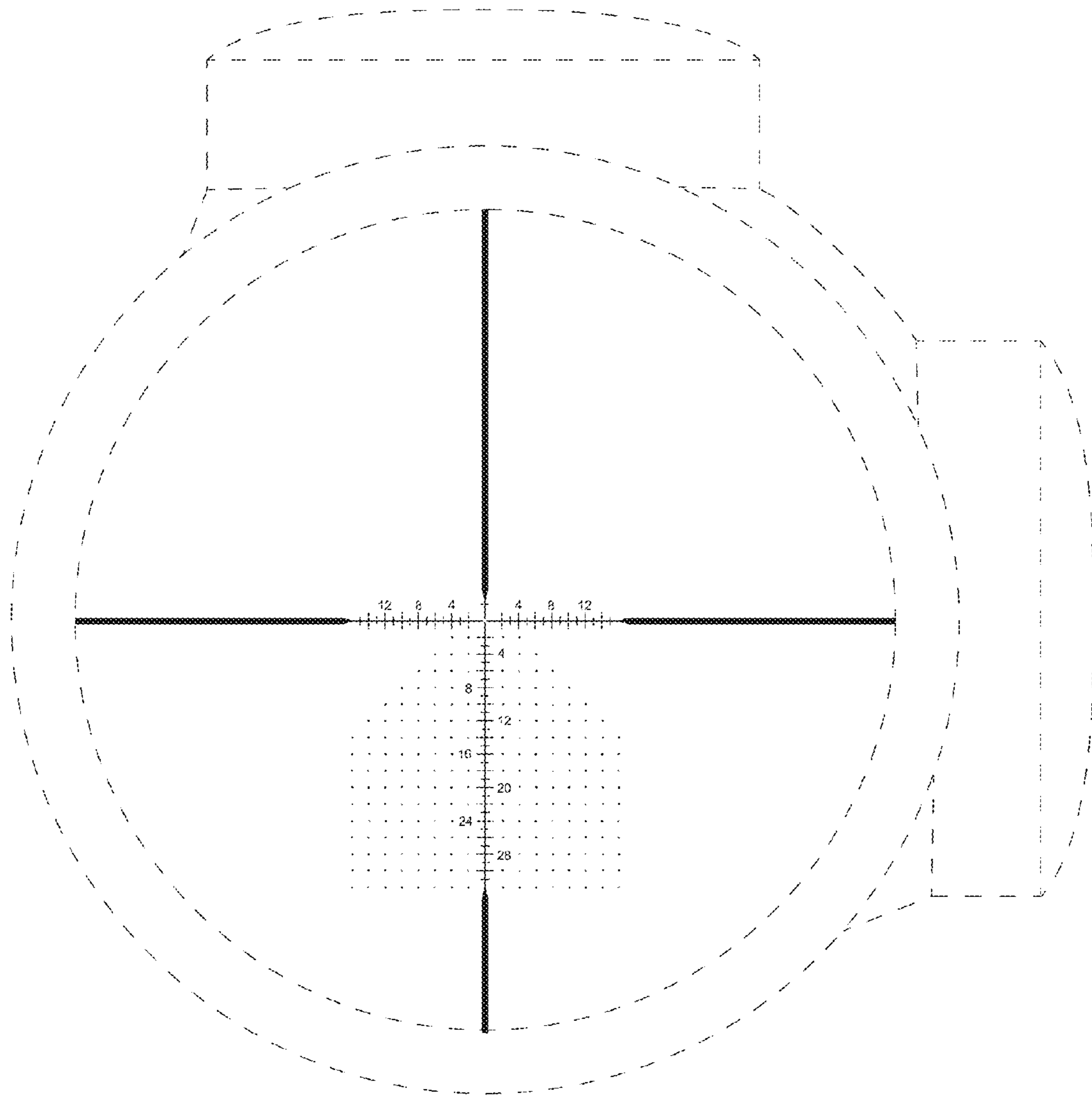


FIG. 2

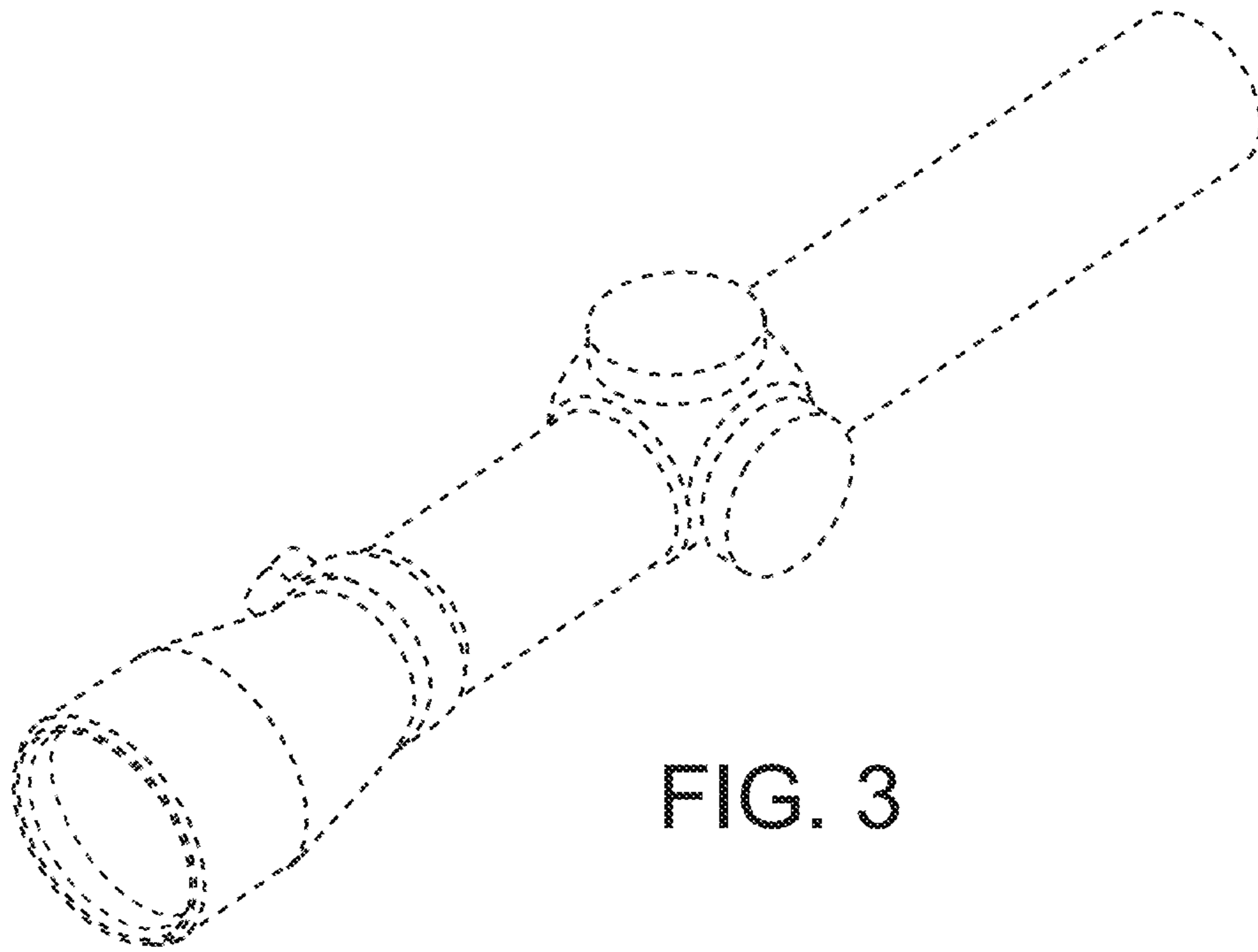


FIG. 3