



US00D703782S

(12) **United States Design Patent**
Svendsen

(10) **Patent No.:** **US D703,782 S**
(45) **Date of Patent:** **** Apr. 29, 2014**

(54) **WATER SLIDE**

(71) Applicant: **S. R. Smith, LLC**, Canby, OR (US)

(72) Inventor: **William J. Svendsen**, Canby, OR (US)

(73) Assignee: **S. R. Smith, LLC**, Canby, OR (US)

(**) Term: **14 Years**

(21) Appl. No.: **29/444,242**

(22) Filed: **Jan. 28, 2013**

(51) **LOC (10) Cl.** **21-03**

(52) **U.S. Cl.**
USPC **D21/821**

(58) **Field of Classification Search**
USPC D21/811, 814, 818-822, 826;
472/116-117; 193/12

See application file for complete search history.

(56) **References Cited**

U.S. PATENT DOCUMENTS

D218,625 S * 9/1970 Abrens D21/821
3,565,226 A * 2/1971 Winchester 193/12

(Continued)

OTHER PUBLICATIONS

Brochure: SR Smith, LLC "Pool Slides" (2010), downloaded Jan. 2013 from <http://www.srsmith.com> (3 pages).

(Continued)

Primary Examiner — Mitchell Siegel

(74) *Attorney, Agent, or Firm* — Stoel Rives LLP

(57) **CLAIM**

The ornamental design for a water slide, as shown and described.

DESCRIPTION

FIG. 1 is a top left isometric view of a water slide showing the new design;

FIG. 2 is a front side elevation view thereof;

FIG. 3 is a rear side elevation view thereof;

FIG. 4 is a left side elevation view thereof;

FIG. 5 is a right side elevation view thereof;

FIG. 6 is a top plan view thereof;

FIG. 7 is a bottom plan view thereof.

FIG. 8 is a top right isometric view of a second embodiment of a water slide as in FIGS. 1-7 but arranged in a left hand direction;

FIG. 9 is a top right isometric view of a third embodiment of a water slide as in FIG. 1;

FIG. 10 is a front side elevation view thereof;

FIG. 11 is a rear side elevation view thereof;

FIG. 12 is a left side elevation view thereof;

FIG. 13 is a right side elevation view thereof;

FIG. 14 is a top plan view thereof.

FIG. 15 is a top right isometric view of a fourth embodiment of a water slide as in FIG. 1;

FIG. 16 is a front side elevation view thereof;

FIG. 17 is a rear side elevation view thereof;

FIG. 18 is a left side elevation view thereof;

FIG. 19 is a right side elevation view thereof;

FIG. 20 is a top plan view thereof.

FIG. 21 is a top right isometric view of a fifth embodiment of a water slide as in FIG. 1;

FIG. 22 is a front side elevation view thereof;

FIG. 23 is a rear side elevation view thereof;

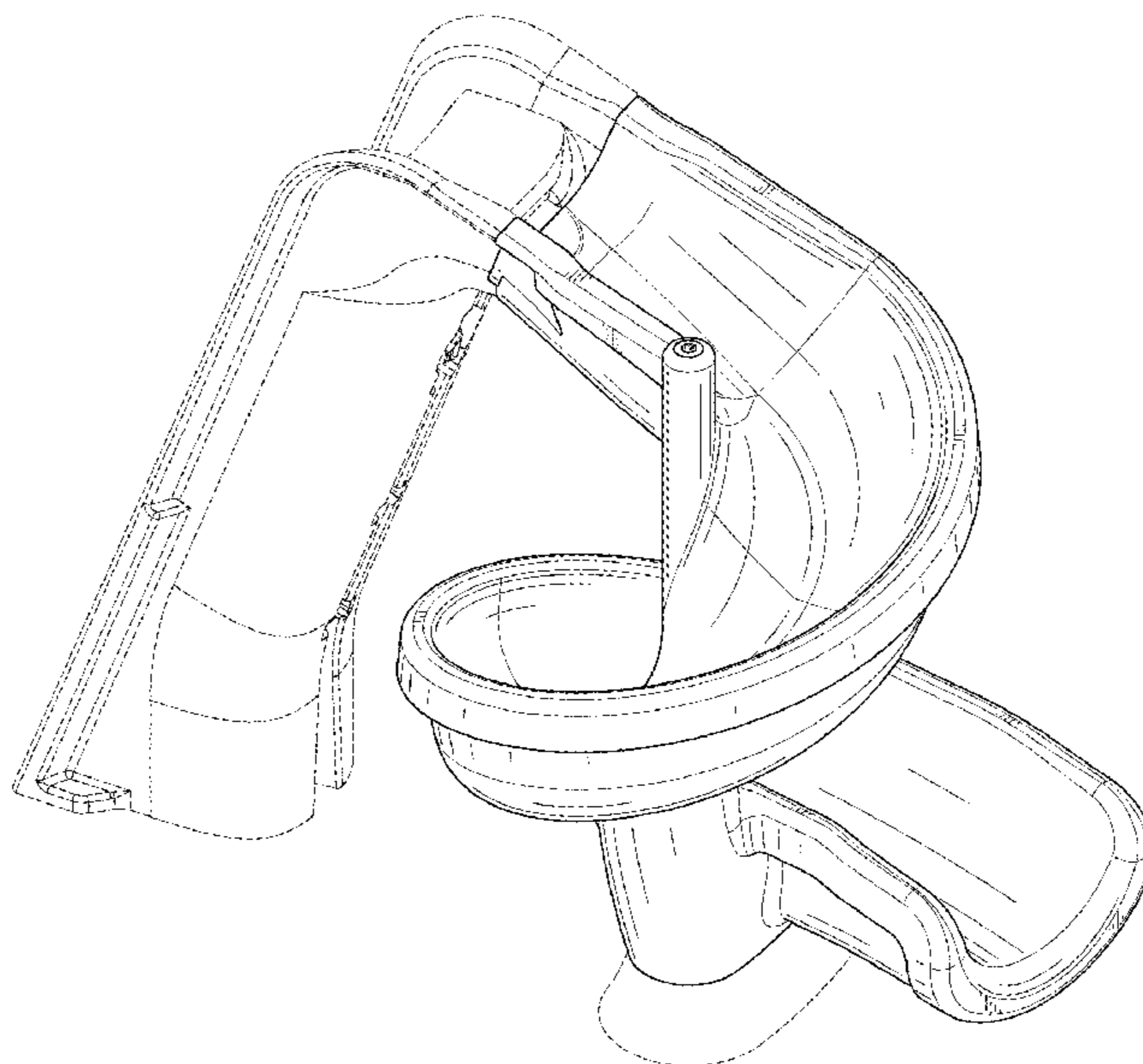
FIG. 24 is a left side elevation view thereof;

FIG. 25 is a right side elevation view thereof; and,

FIG. 26 is a top plan view thereof.

The broken line showing of base and steps is included for the purpose of illustrating and forms no part of the claimed design.

1 Claim, 22 Drawing Sheets



(56)

References Cited

U.S. PATENT DOCUMENTS

D221,963	S *	9/1971	Henning	D21/821
D227,382	S *	6/1973	Wormser	D21/821
3,755,878	A *	9/1973	Henning	193/12
3,814,418	A *	6/1974	Henning	472/116
D250,784	S *	1/1979	Dieter et al.	D21/821
D262,230	S *	12/1981	Ament et al.	D21/820
D268,859	S *	5/1983	Ament et al.	D21/820
4,805,898	A	2/1989	Jacober et al.		
4,893,807	A *	1/1990	Ahrens	472/116
D335,517	S *	5/1993	Vatterot	D21/821
D344,317	S *	2/1994	Petersheim	D21/821
5,378,197	A	1/1995	Briggs		
D361,614	S *	8/1995	Aker et al.	D21/821
5,478,281	A	12/1995	Forton		
D372,065	S *	7/1996	Gilles	D21/821
D418,895	S *	1/2000	Ruggiero	D21/818
D429,788	S *	8/2000	Sutton et al.	D21/818
6,375,578	B1	4/2002	Briggs		
6,575,840	B2	6/2003	Hagerty		
D577,408	S *	9/2008	Ketcherside et al.	D21/821
D589,110	S *	3/2009	Ketcherside et al.	D21/818
D594,079	S *	6/2009	Ketcherside et al.	D21/821

OTHER PUBLICATIONS

Brochure: SR Smith, LLC "TurboTwister" model pool slide (2012), downloaded Jan. 2013 from <http://www.srsmith.com/media/47937/turbotwister0312.pdf> (one page).

Brochure: SR Smith, LLC "Vortex™" model pool slide (2012), downloaded Jan. 2013 from www.srsmith.com/products/pool-slides/vortex.aspx (one page).

Brochure: SR Smith, LLC "Typhoon™" model pool slide (2012) downloaded Jan. 2013 from <http://www.srsmith.com/media/47943/typhoon0312.pdf> (one page).

Svendsen et al U.S. Appl. No. 61/757,700, filed Jan. 28, 2013, titled Water Slide With Spray Fountain Delivery System.

Brochure: INTER-FAB "G-Force2Slide" (2008), downloaded Jan. 2014 from <http://www.interfab.com/getattachment/7c633152-bd06-4927-b344-88196bbd56d1/G-Force.aspx> (1 page).

Online Brochure: King's Fibreglass "Swimming Pool Slides" (2012), http://www.kingsfibreglass.com.au/kings_fibreglass_pool_slides.html Visited Dec. 12, 2013 (two pages).

Svendsen, U.S. Appl. No. 14/165,418, filed Jan. 27, 2014, titled Water Slide With Spray Fountain Delivery System.

* cited by examiner

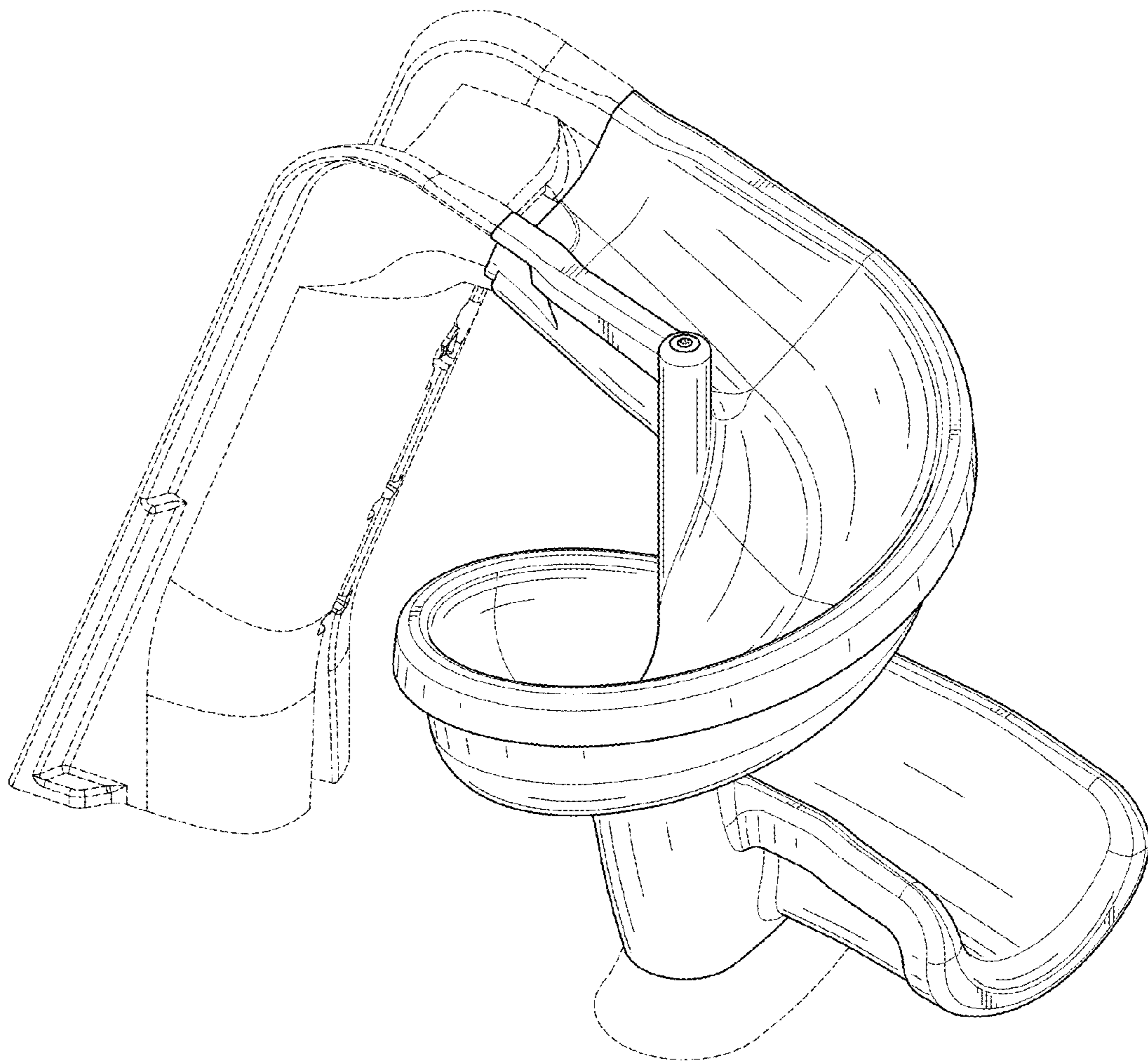


FIG. 1

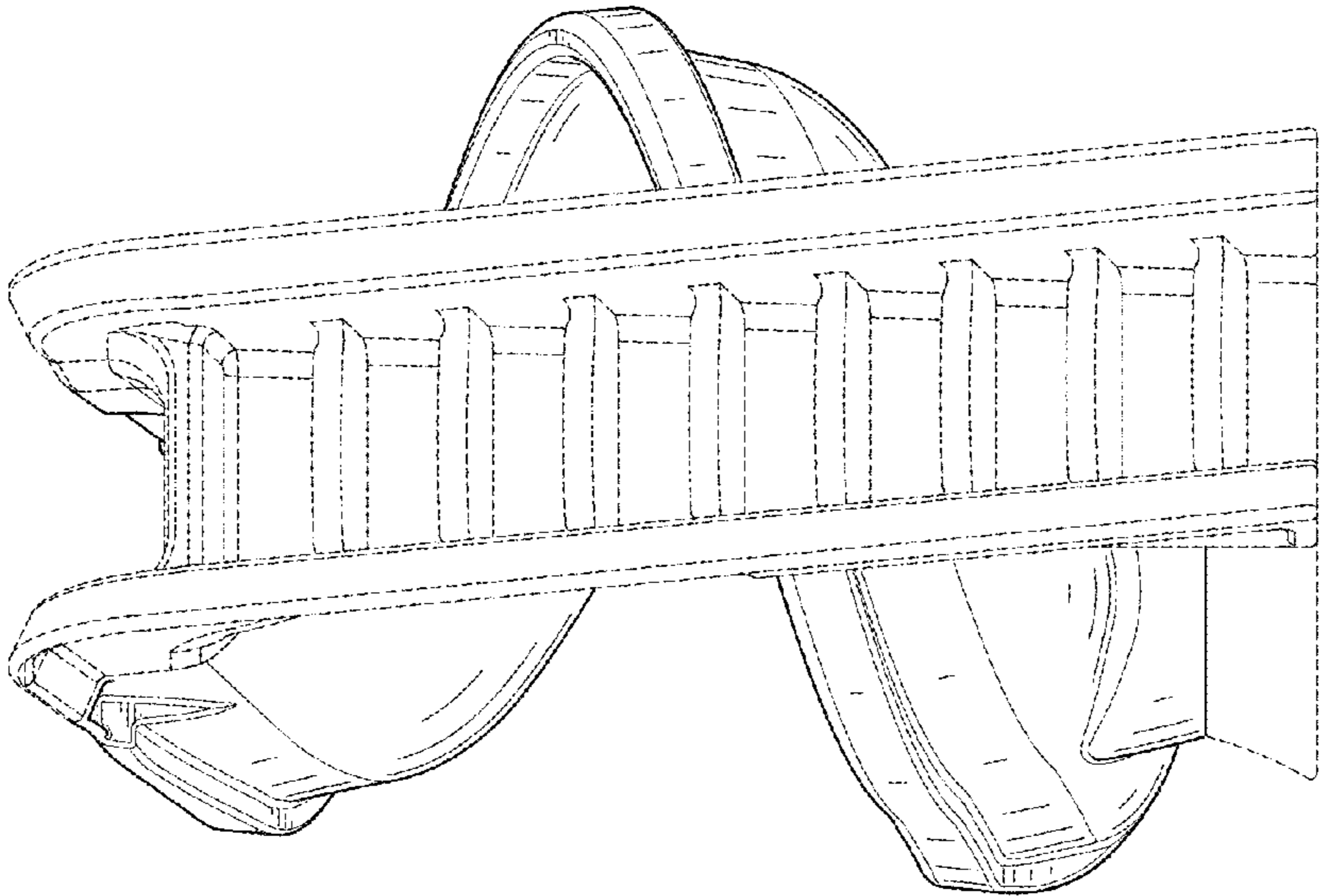


FIG. 3

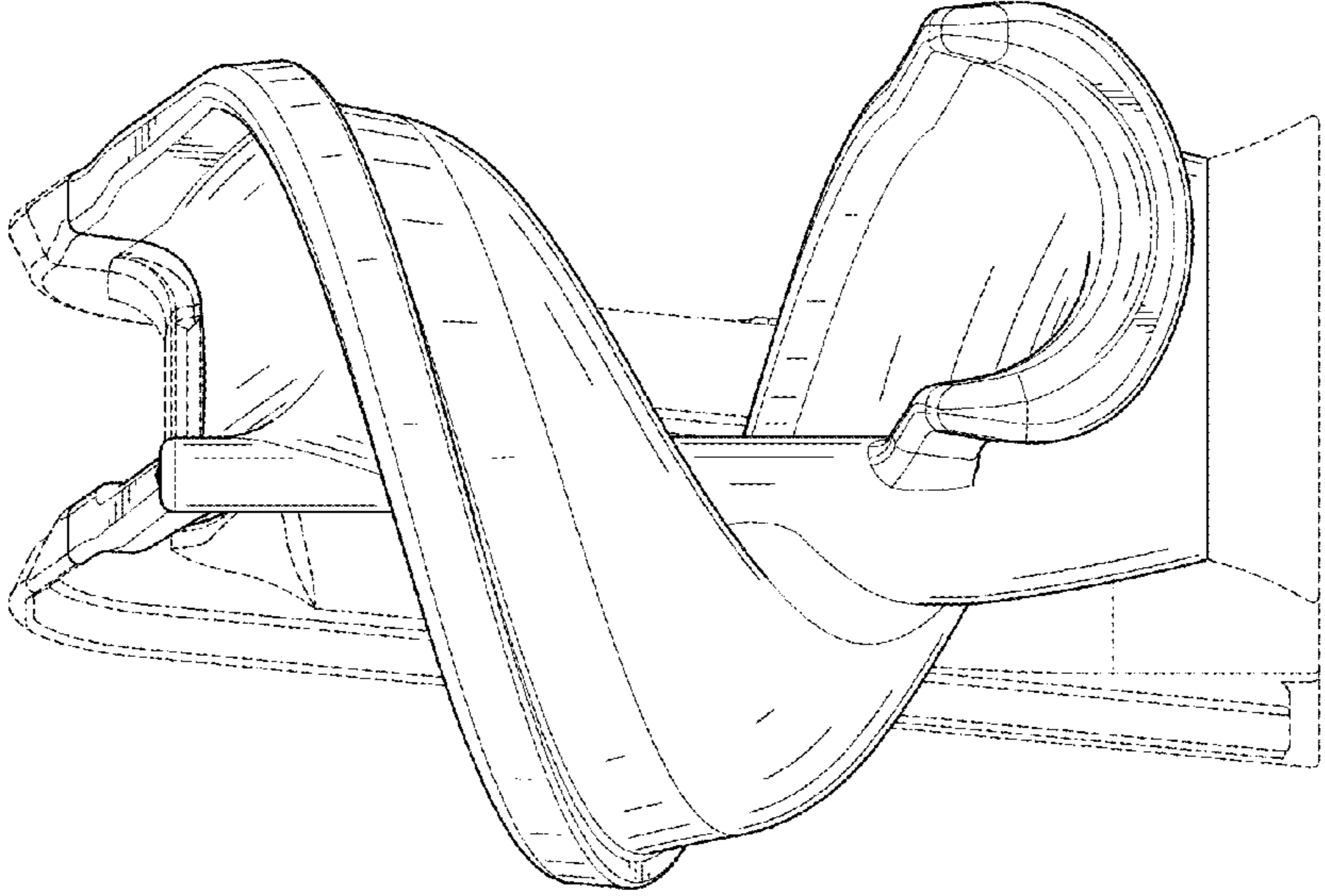


FIG. 2

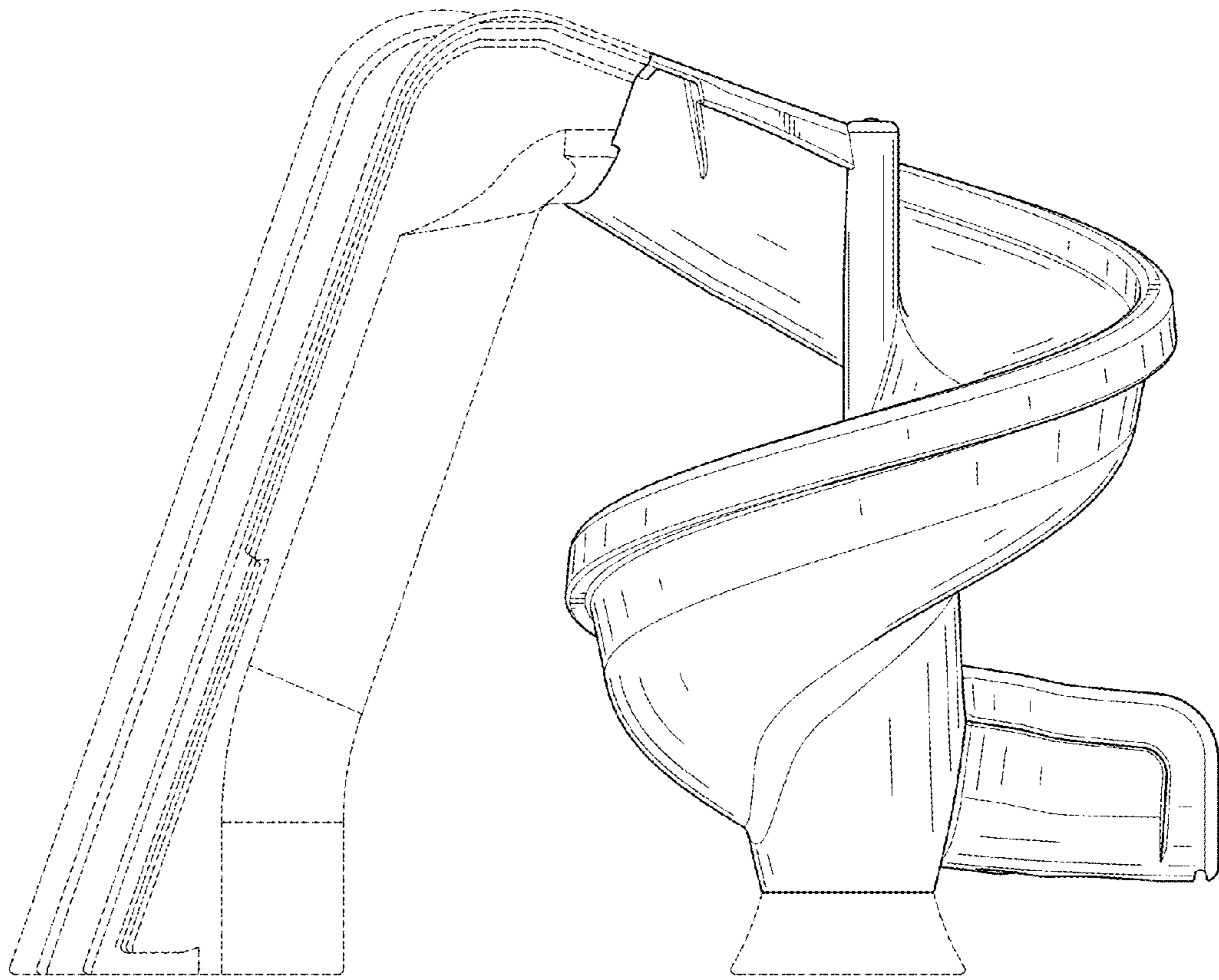


FIG. 4

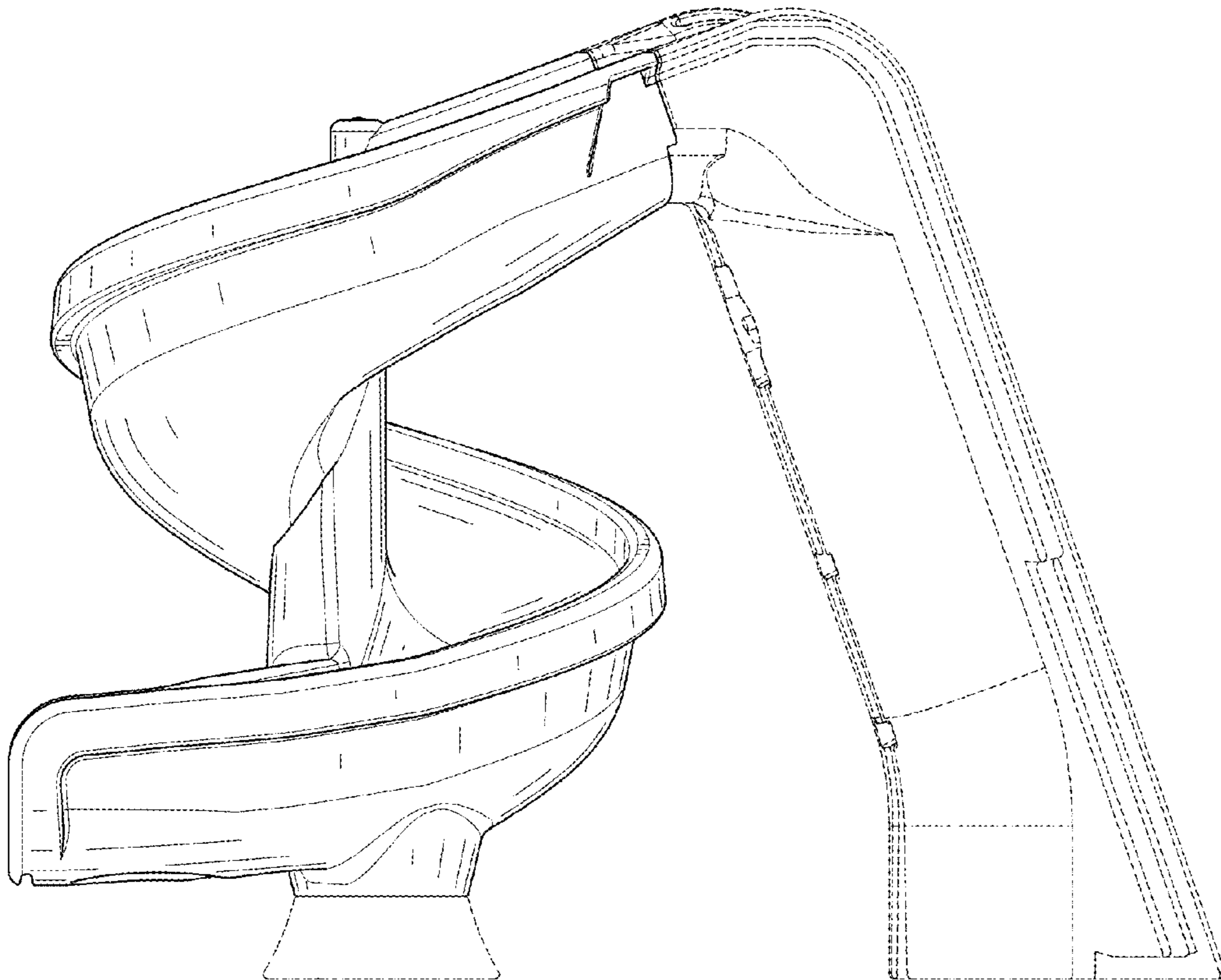


FIG. 5

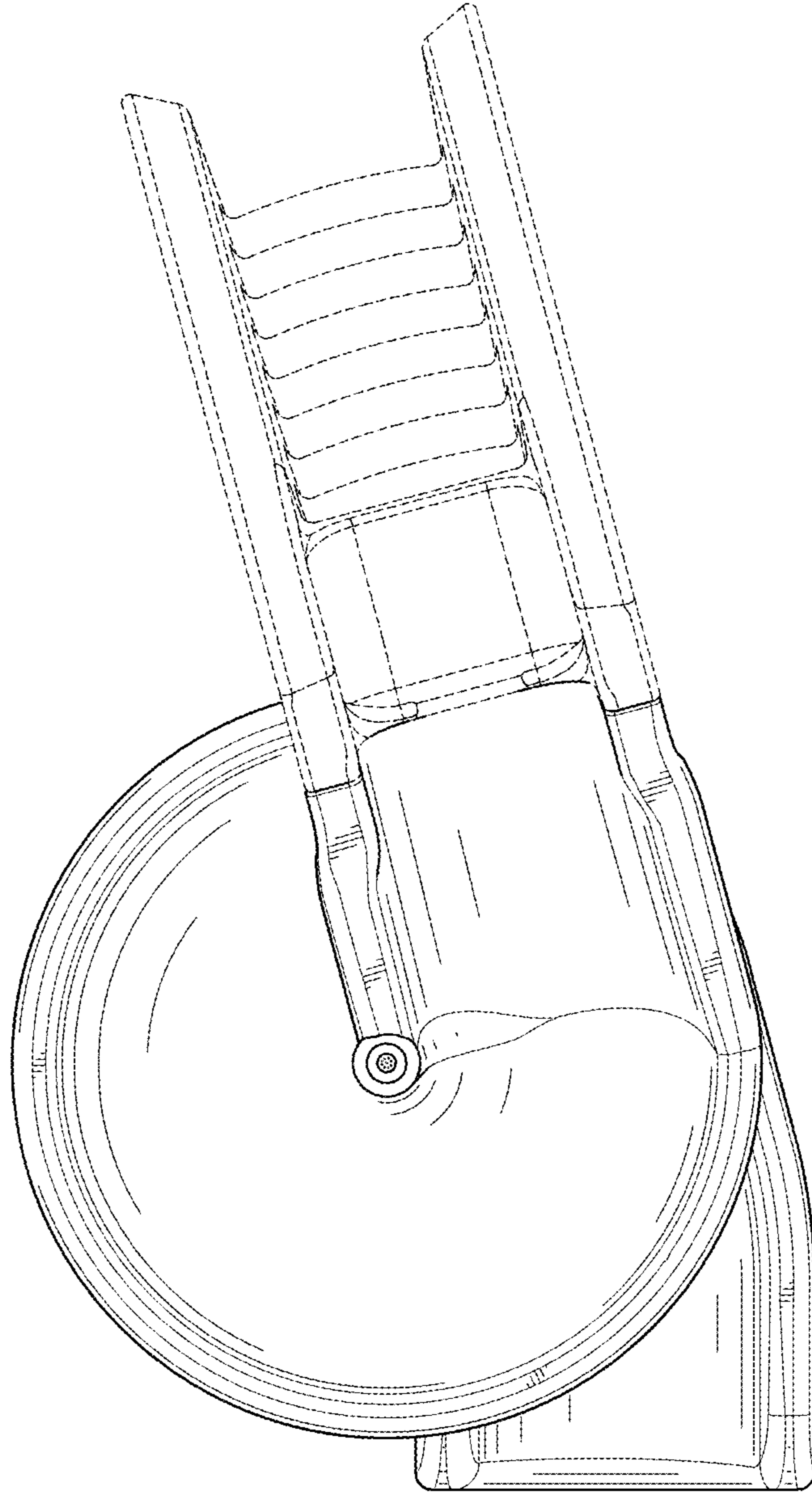


FIG. 6

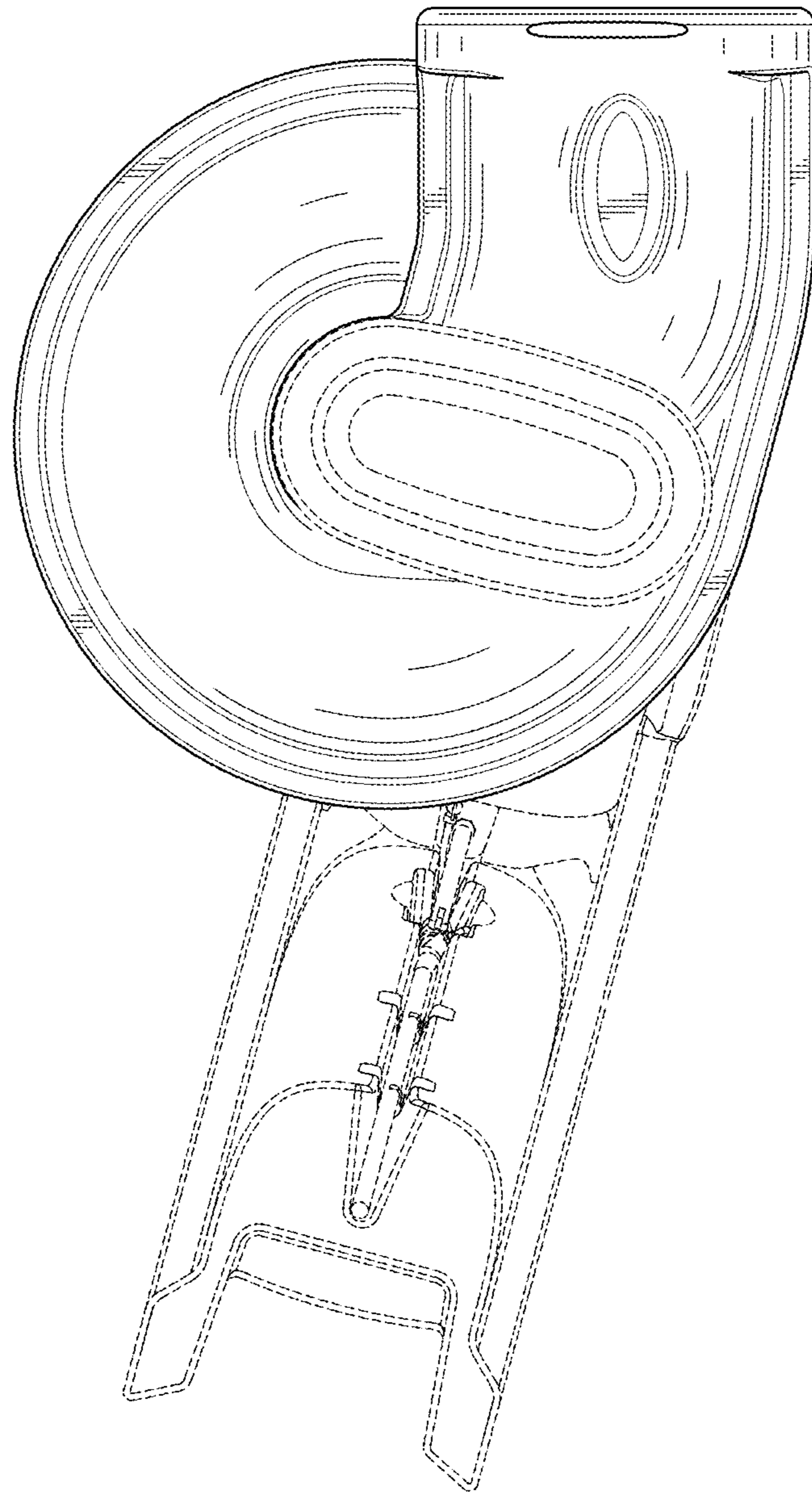


FIG. 7

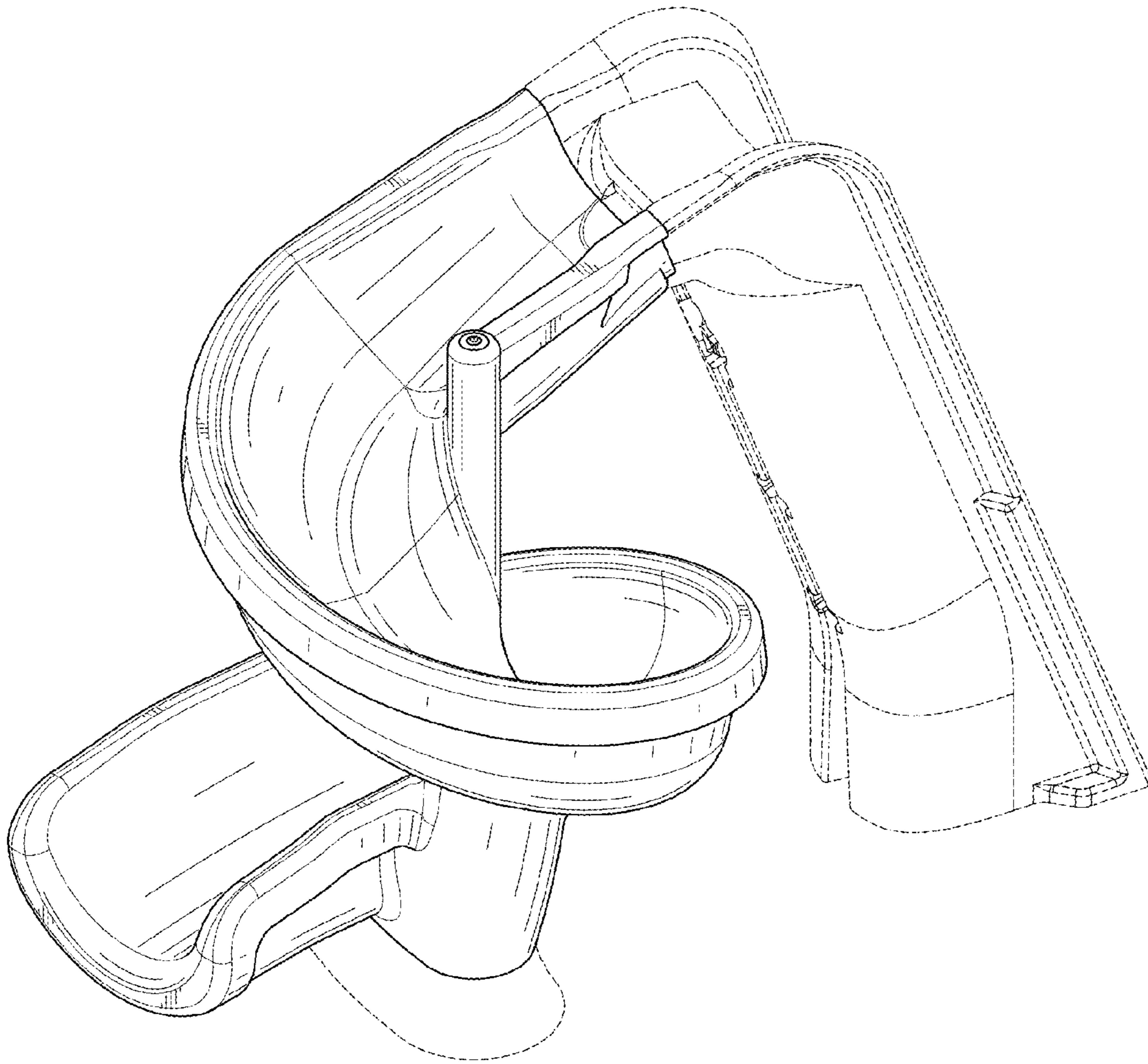


FIG. 8

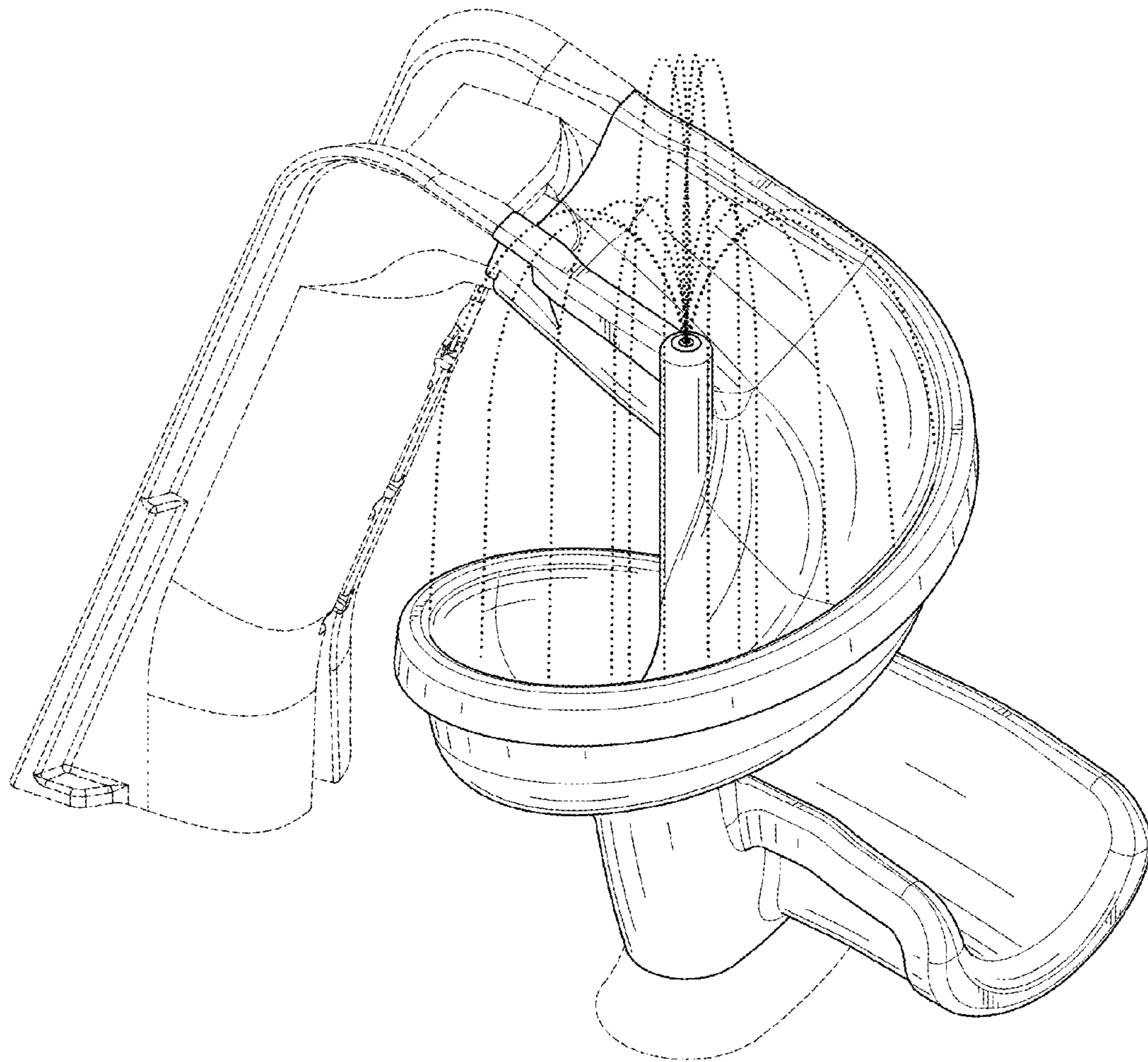


FIG. 9

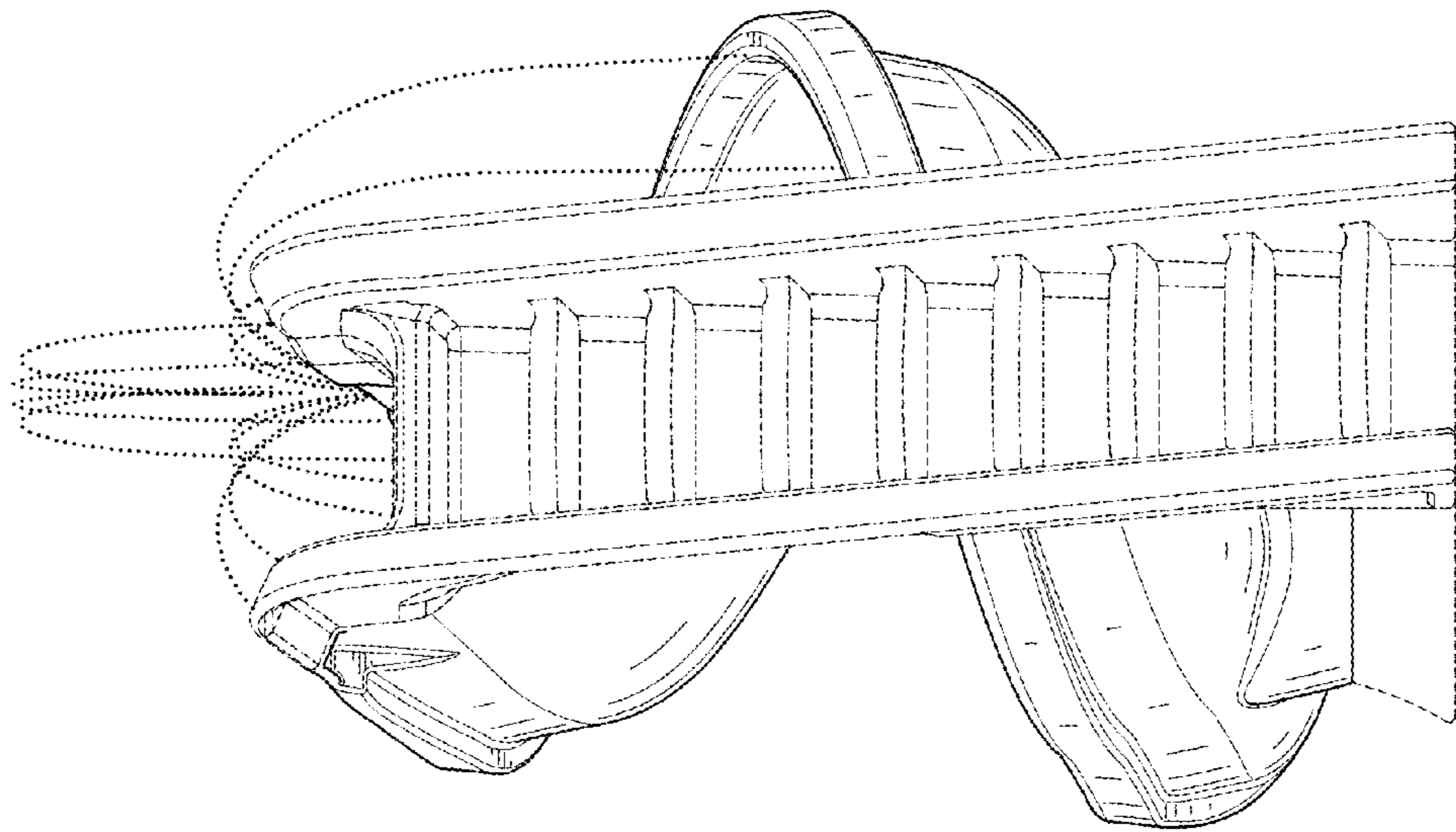


Fig. 11

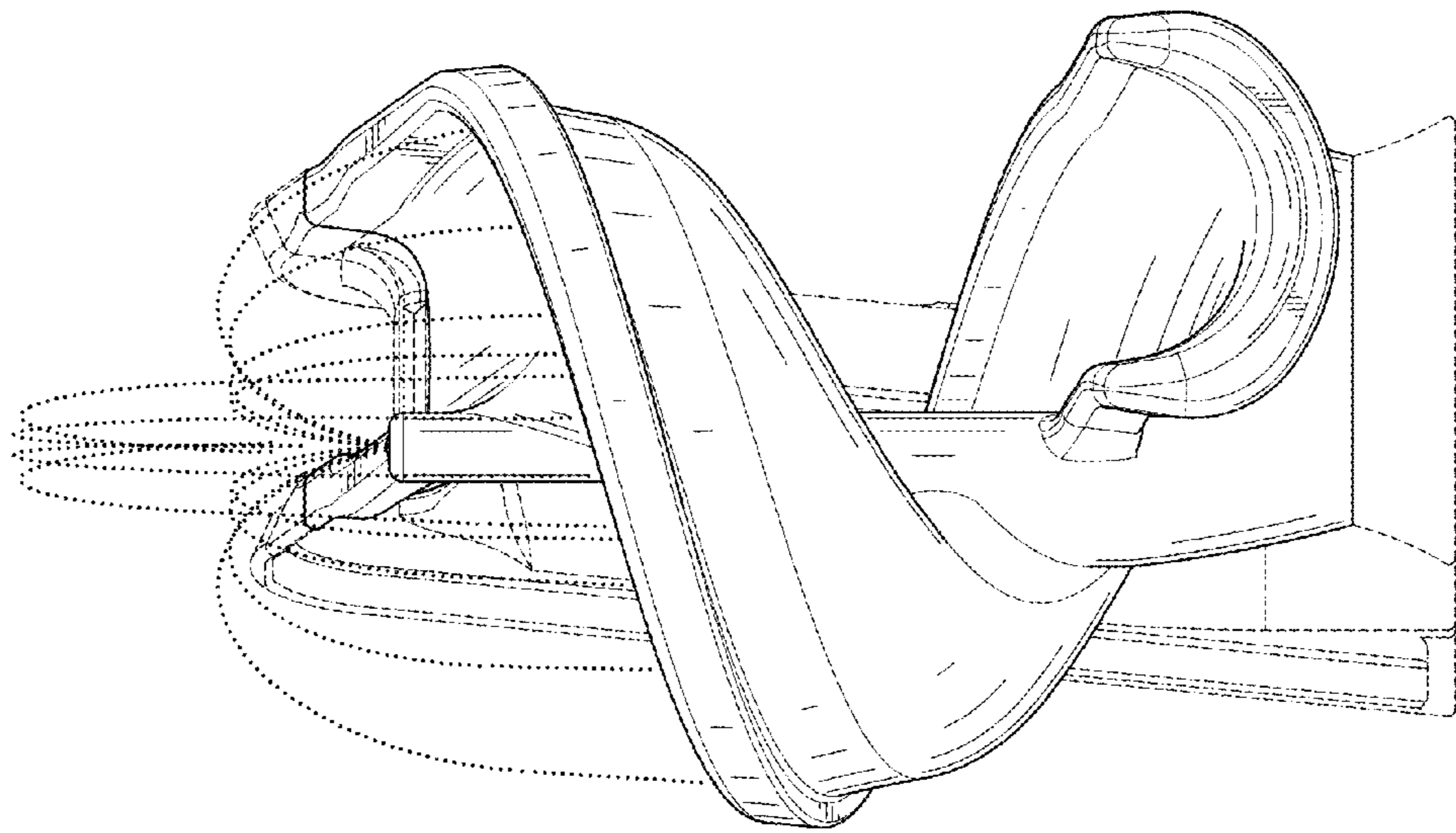


Fig. 10

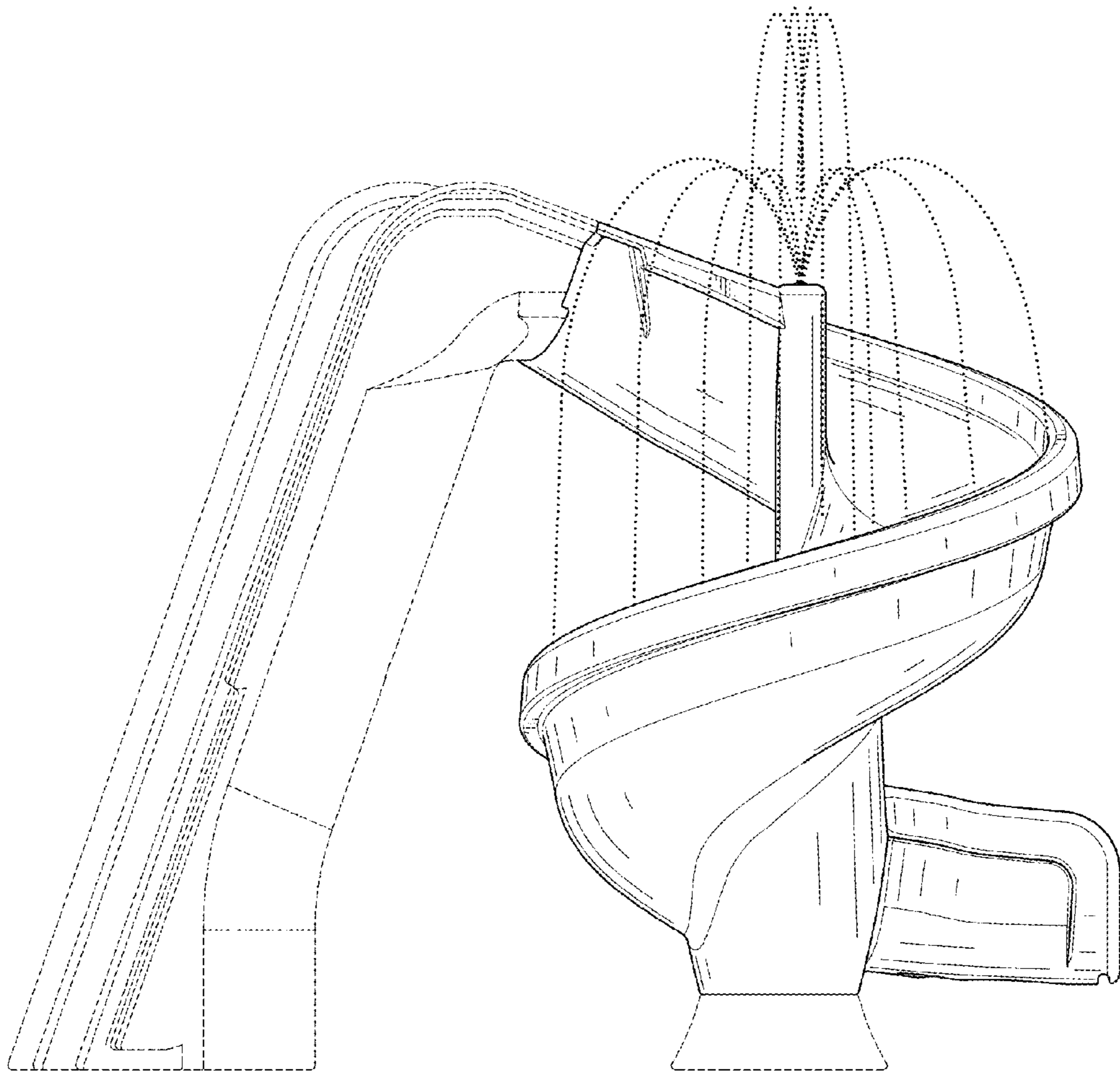


FIG. 12

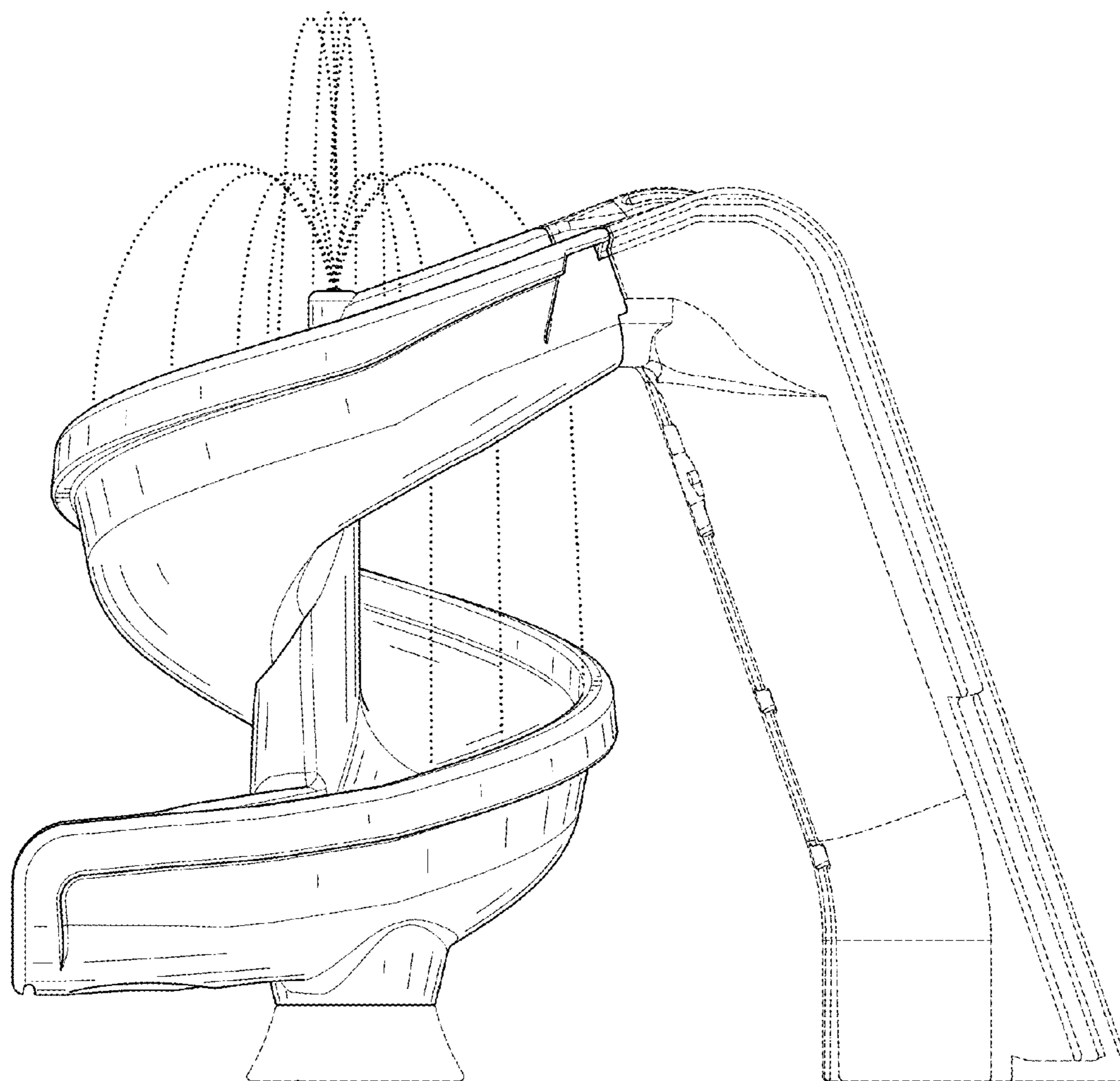


FIG. 13

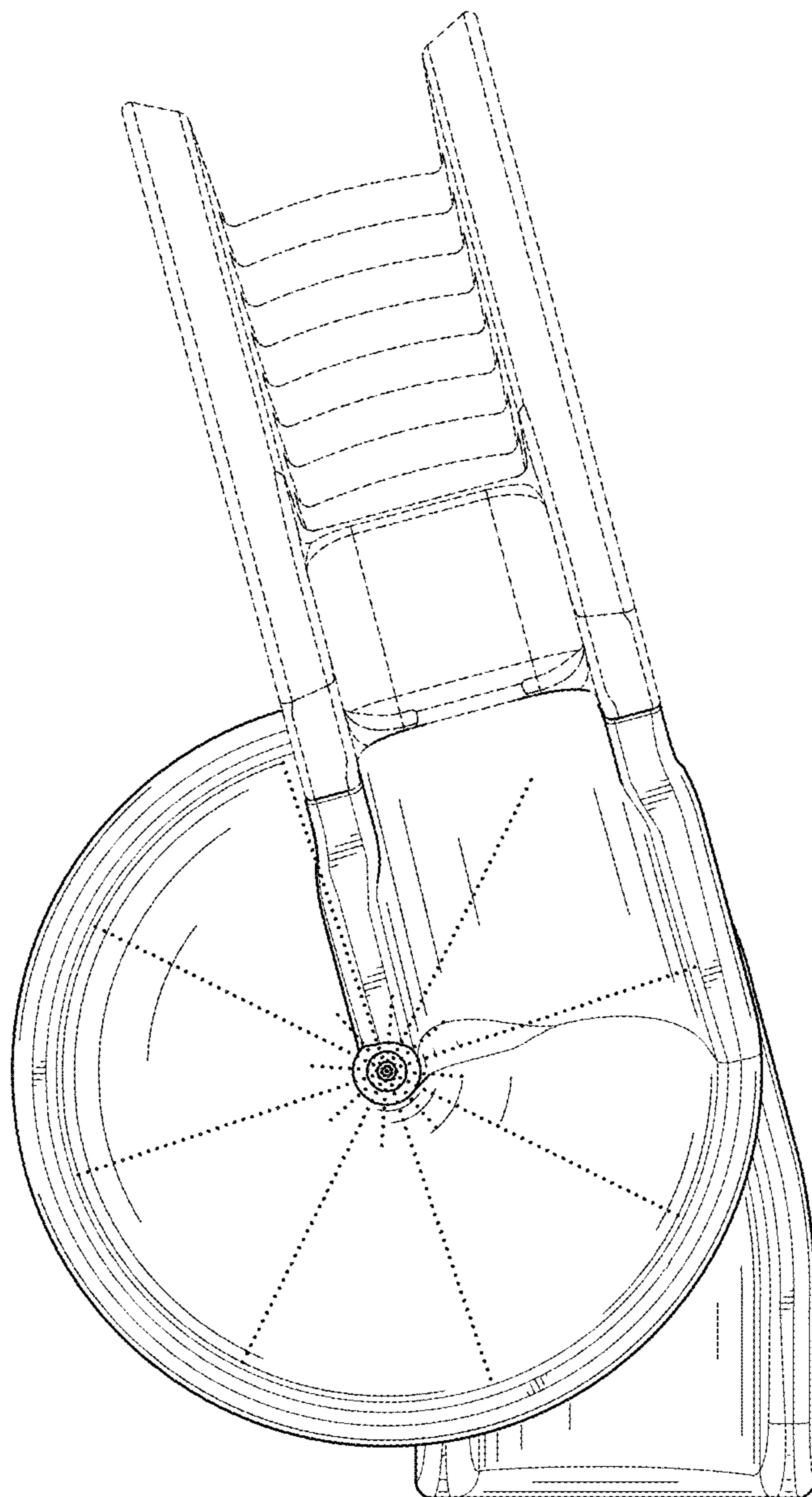


FIG. 14

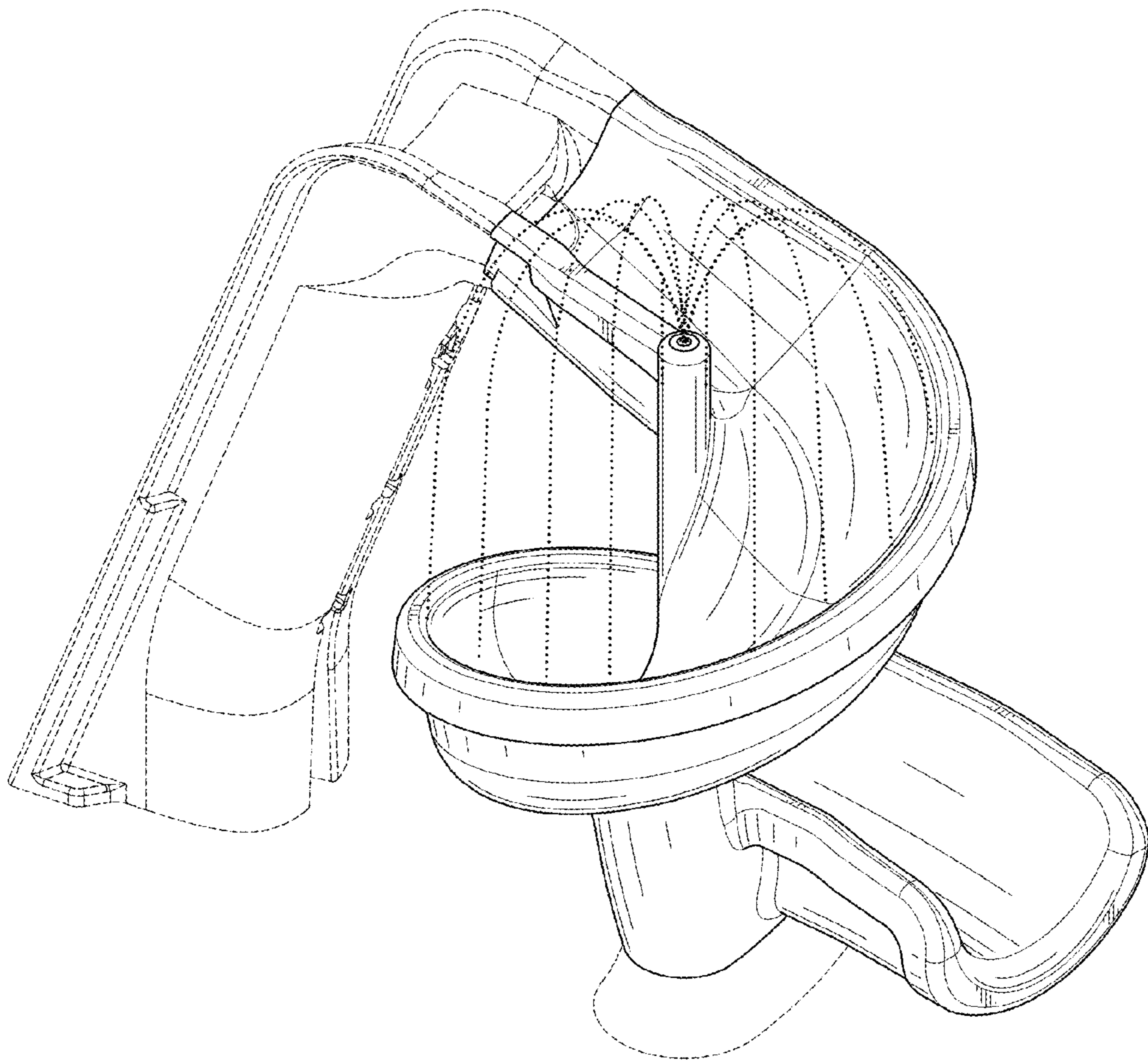


FIG. 15

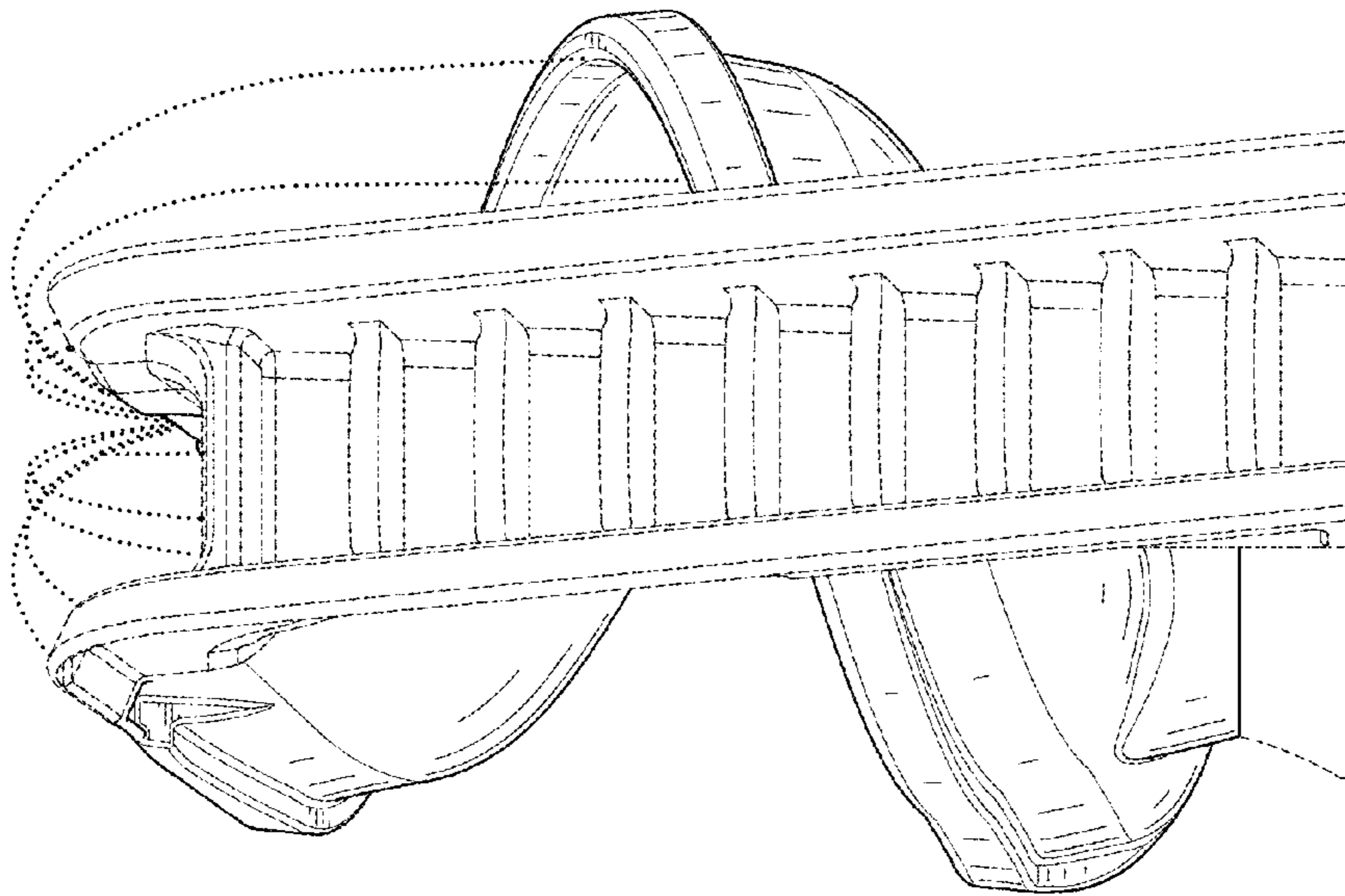


FIG. 17

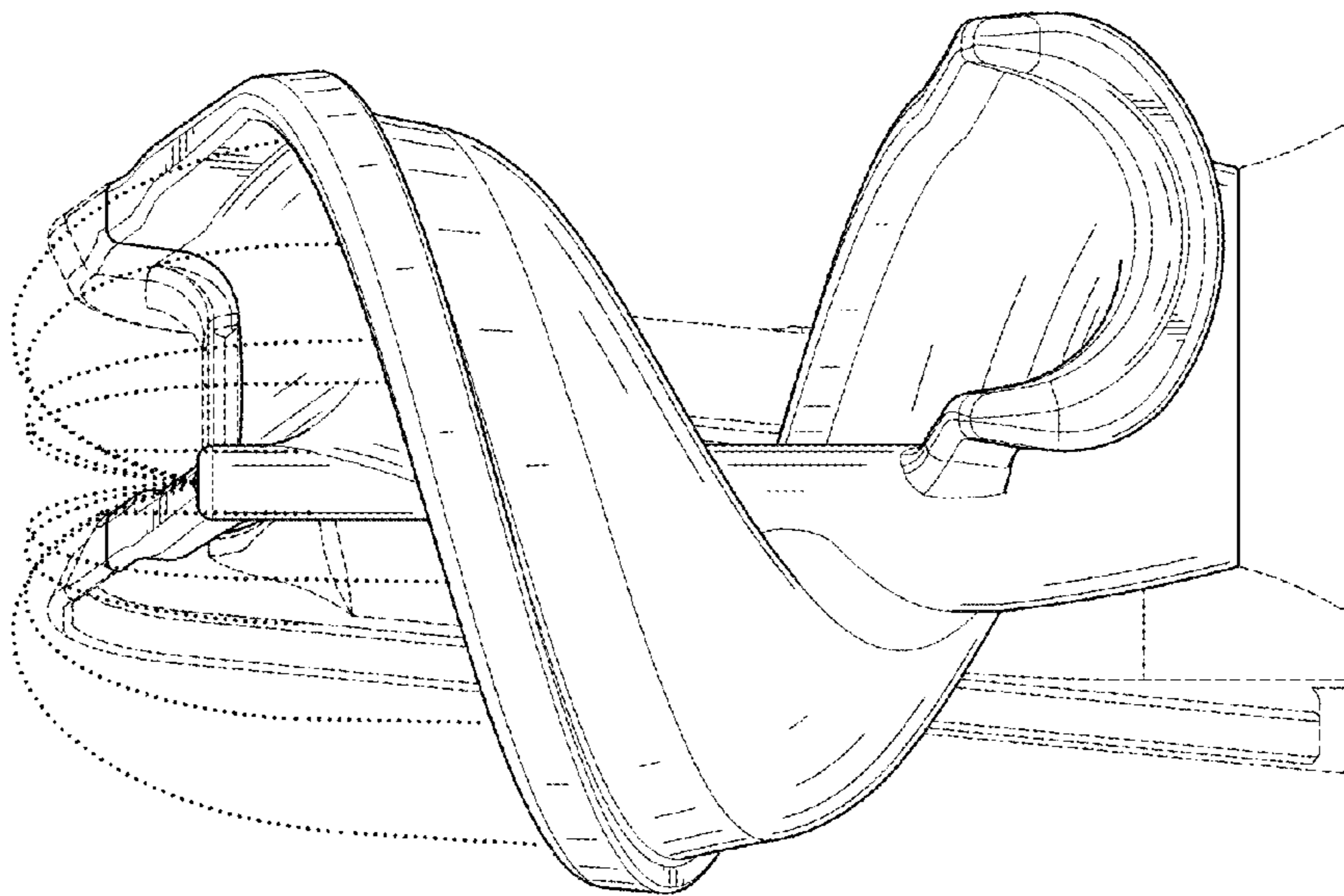


FIG. 10

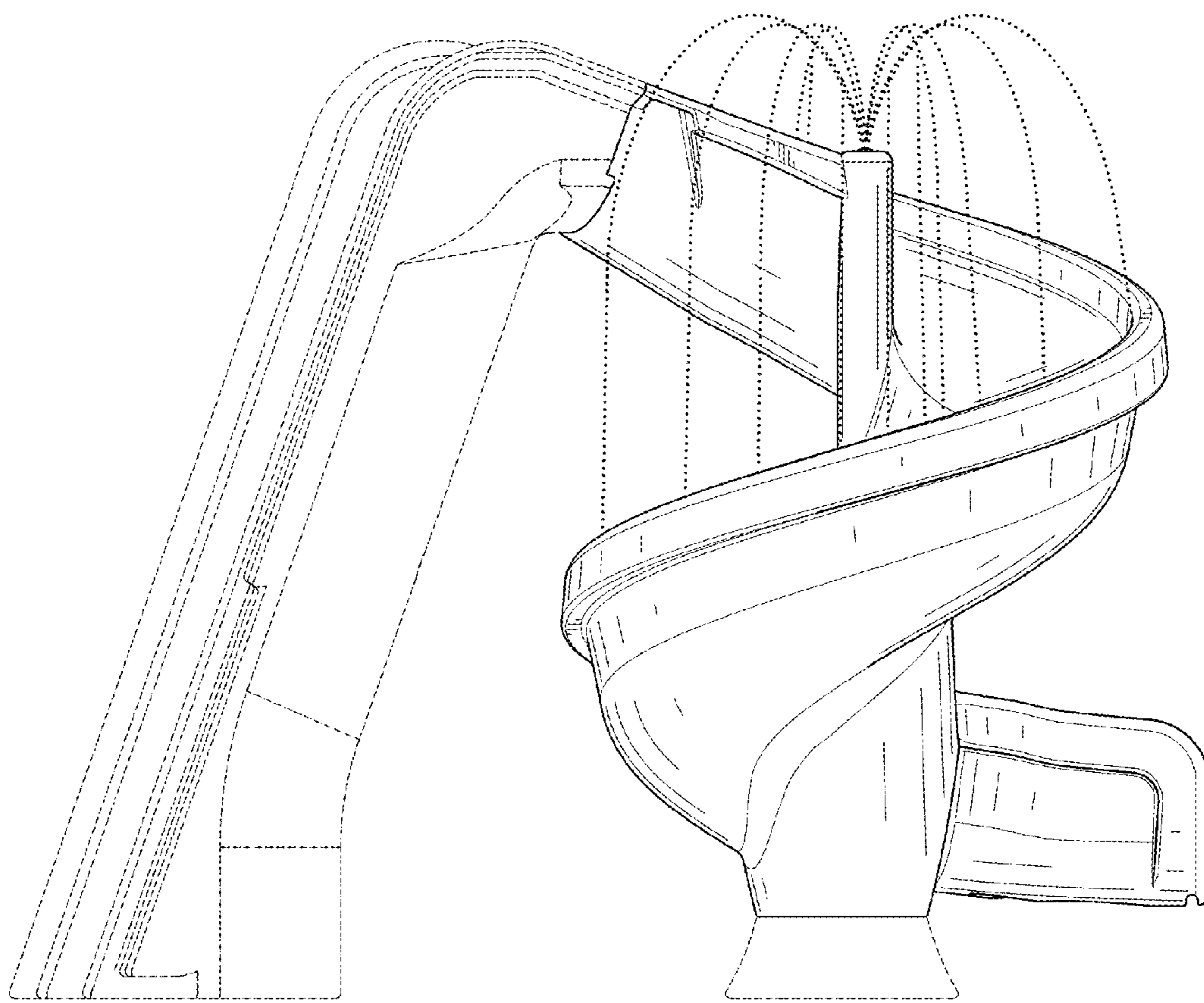


FIG. 18

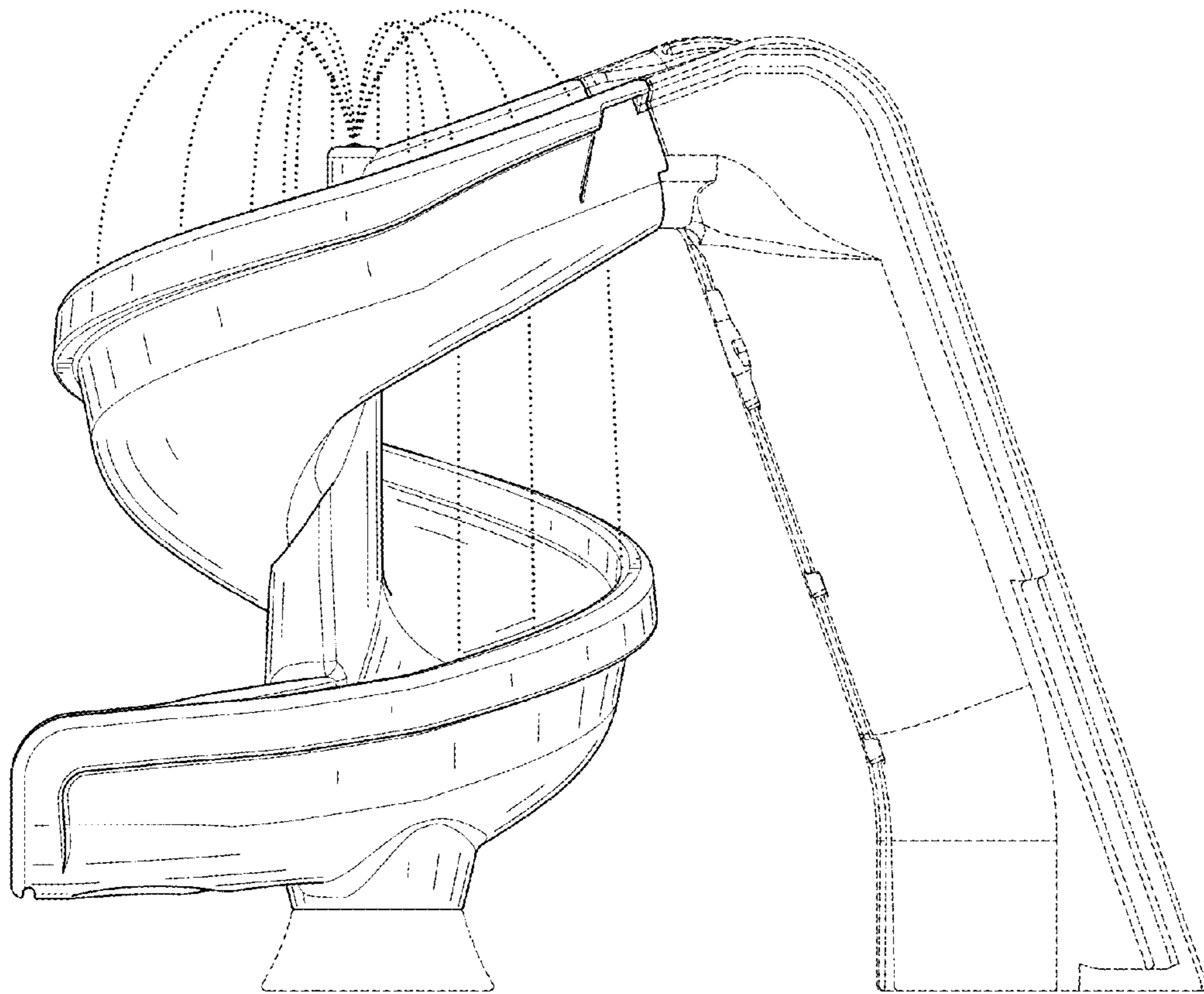


FIG. 19

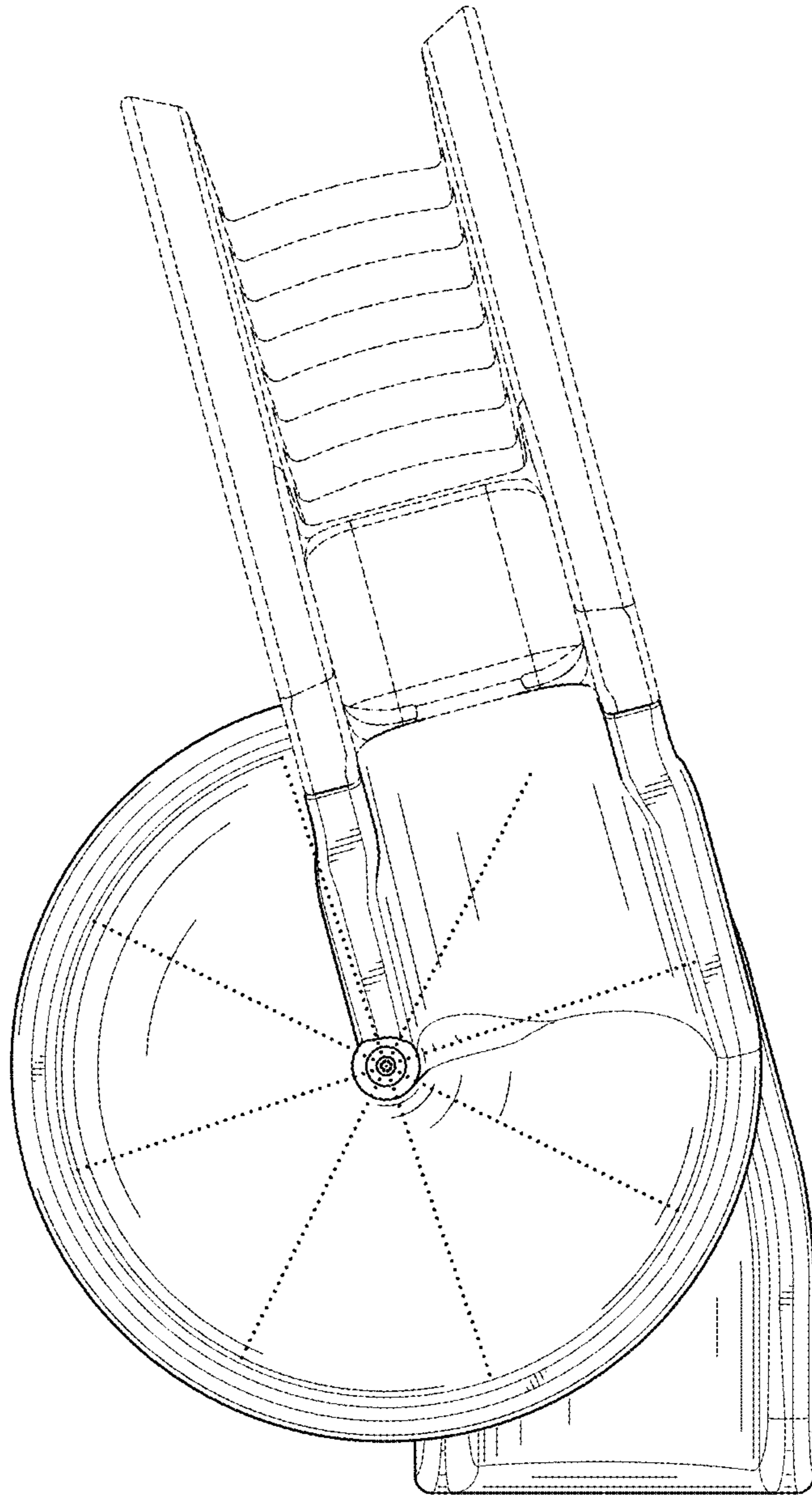


FIG. 20

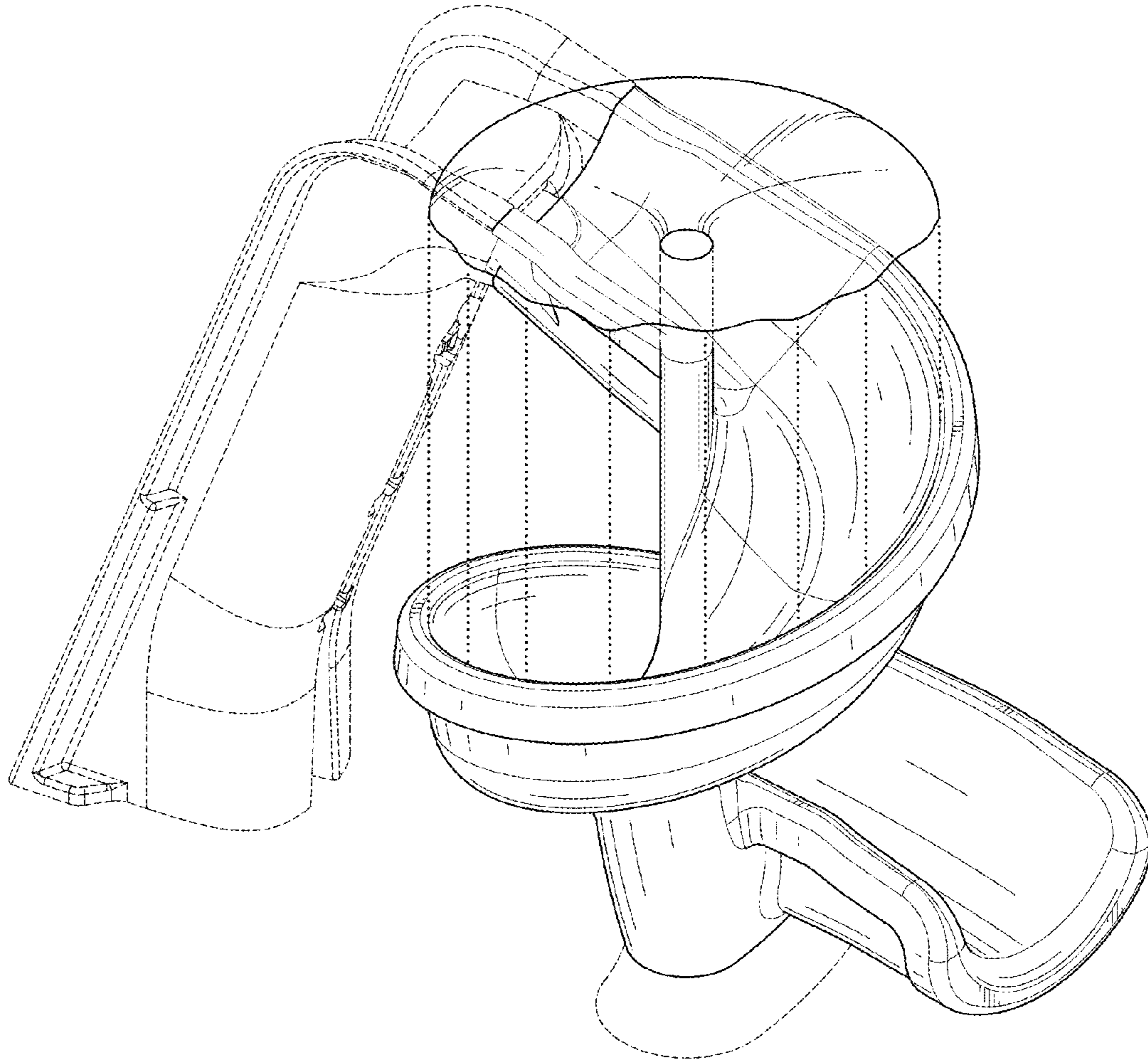


FIG. 21

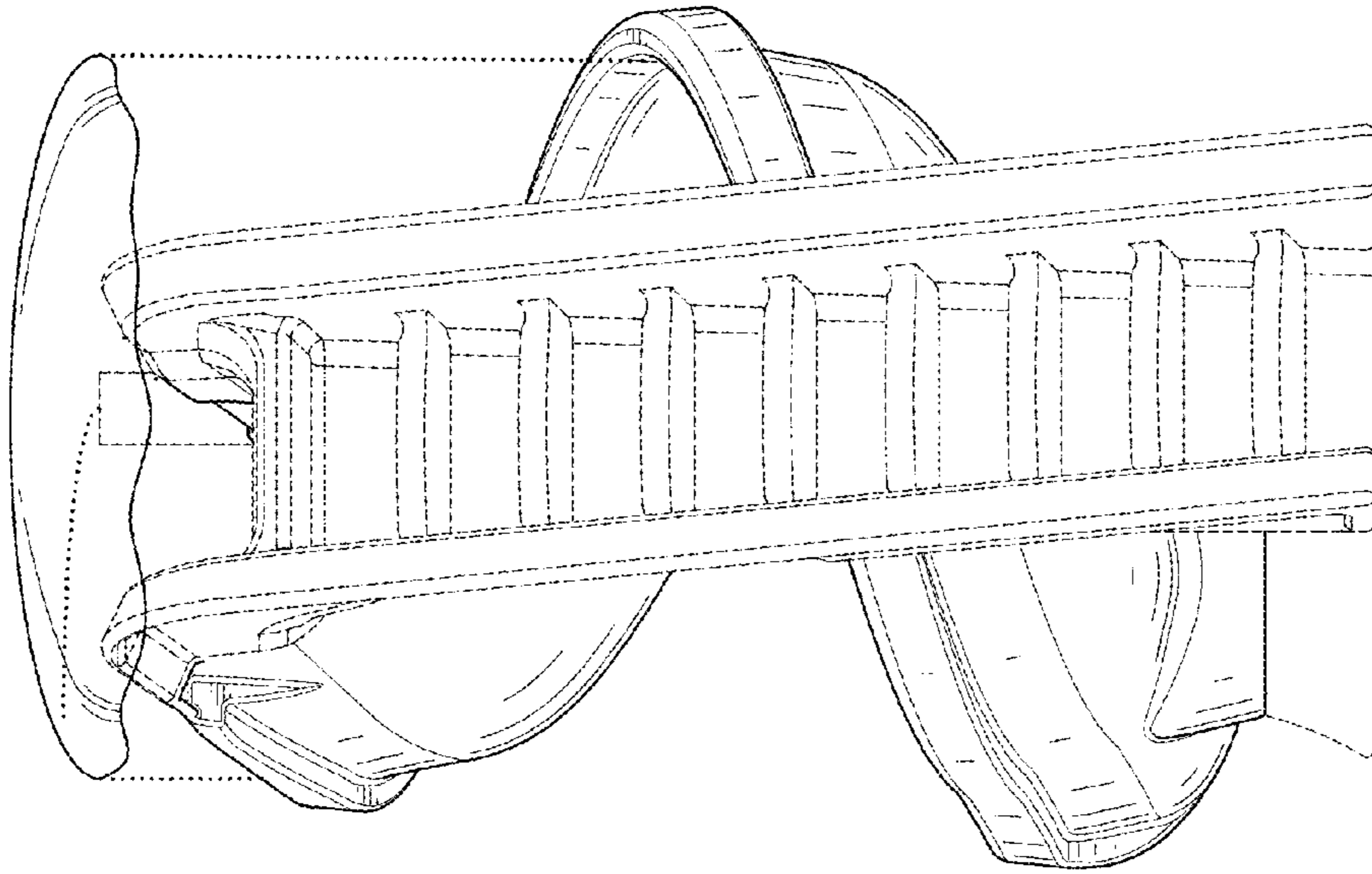


Fig. 23

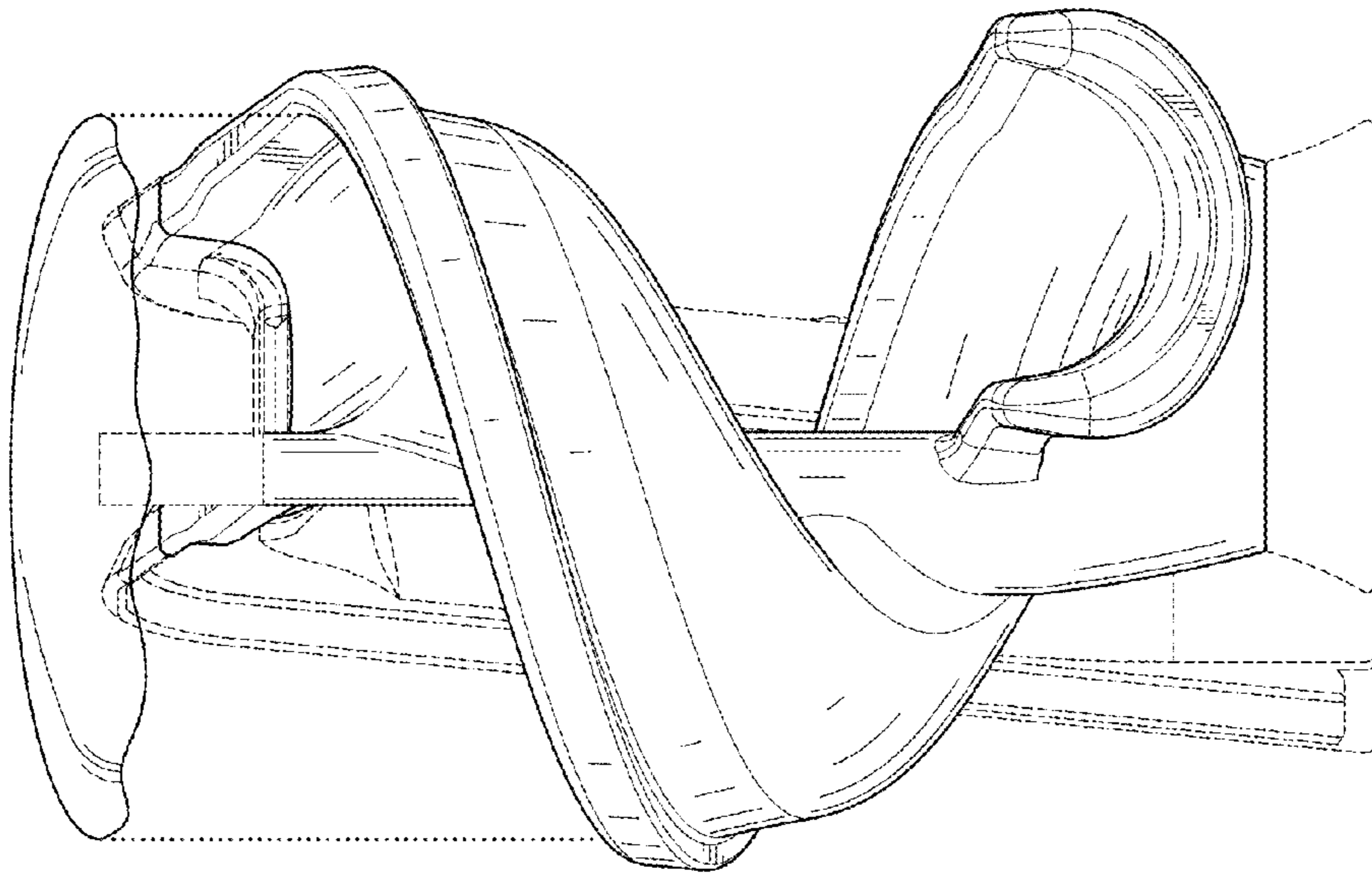


Fig. 22

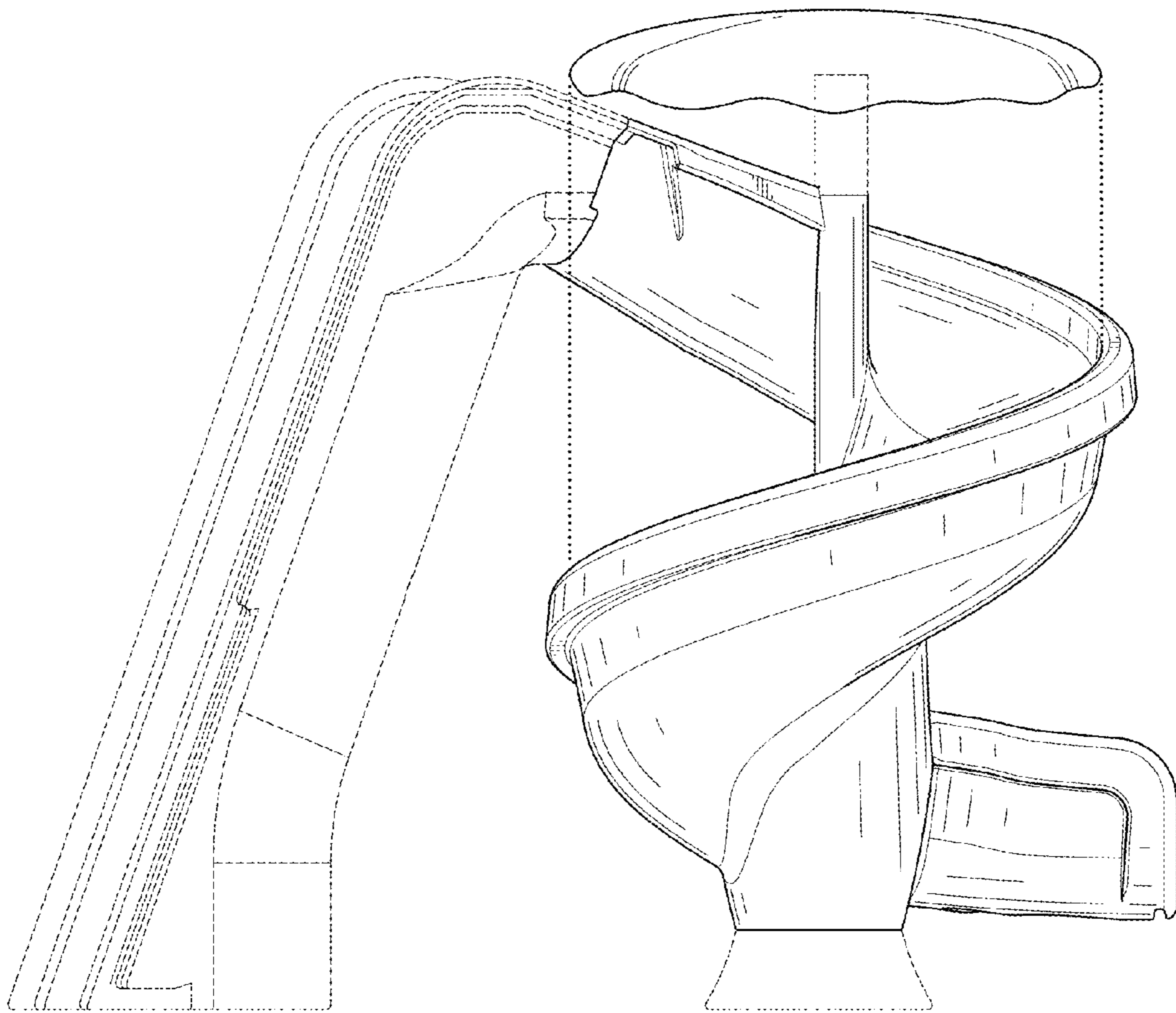


FIG. 24

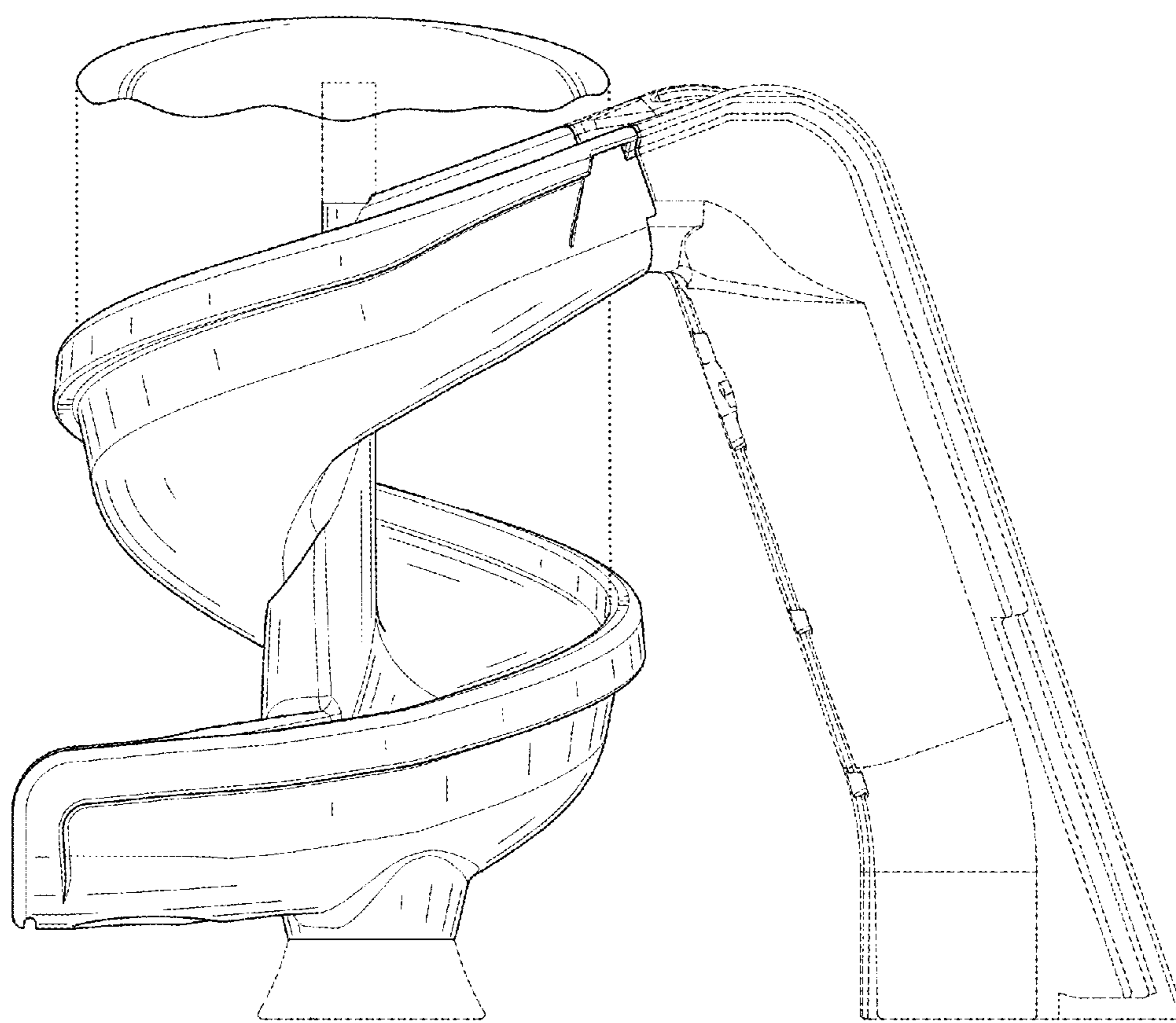


FIG. 25

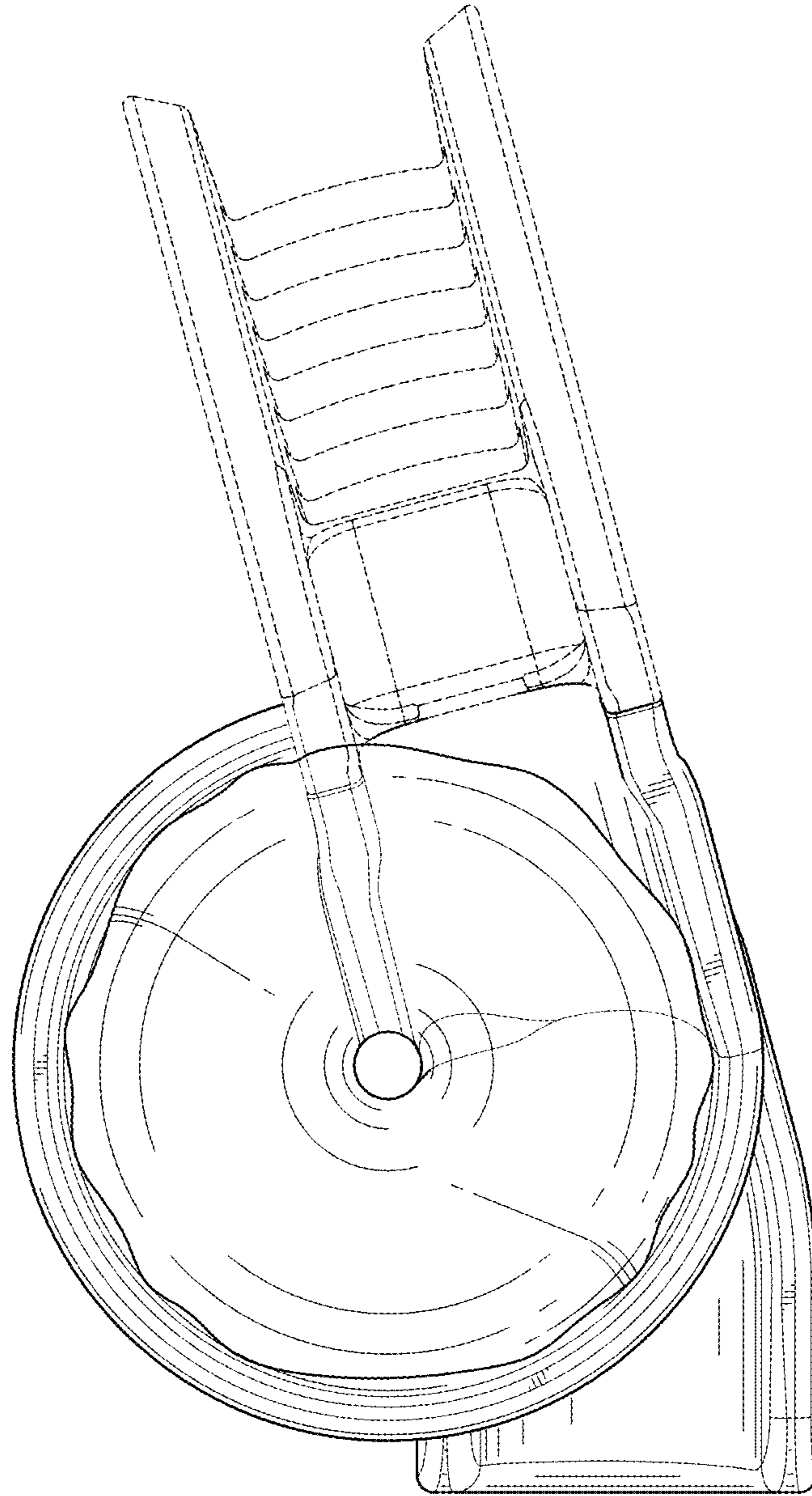


FIG. 20

UNITED STATES PATENT AND TRADEMARK OFFICE
CERTIFICATE OF CORRECTION

PATENT NO. : D703,782 S
APPLICATION NO. : 29/444242
DATED : April 29, 2014
INVENTOR(S) : William J. Svendsen

Page 1 of 9

It is certified that error appears in the above-identified patent and that said Letters Patent is hereby corrected as shown below:

Delete the title page and substitute therefore with the attached title page showing the corrected figure descriptions and number of drawing sheets in patent.

In the Drawings

Delete Drawing Sheets 1-22 and substitute therefore with the attached Drawing Sheets 1-7. Drawing Sheets 8-22 consisting of FIGS. 9-26 have been deleted.

Signed and Sealed this
Second Day of June, 2015



Michelle K. Lee
Director of the United States Patent and Trademark Office

(12) **United States Design Patent** (10) **Patent No.:** **US D703,782 S**
Svendsen (45) **Date of Patent:** **** Apr. 29, 2014**

(54) **WATER SLIDE**

(71) Applicant: **S. R. Smith, LLC**, Canby, OR (US)

(72) Inventor: **William J. Svendsen**, Canby, OR (US)

(73) Assignee: **S. R. Smith, LLC**, Canby, OR (US)

(**) Term: **14 Years**

(21) Appl. No.: **29/444,242**

(22) Filed: **Jan. 28, 2013**

(51) LOC (10) CL **21-03**

(52) U.S. Cl.

USPC **D21/821**

(58) **Field of Classification Search**

USPC **D21/811, 814, 818-822, 826;**
472/116-117; 193/12

See application file for complete search history.

(56) **References Cited**

U.S. PATENT DOCUMENTS

D218,625 S * 9/1970 Abrens D21/821
3,565,226 A * 2/1971 Winchester 193/12

(Continued)

OTHER PUBLICATIONS

Brochure: *SR Smith, LLC "Pool Slides" (2010)*, downloaded Jan. 2013 from <http://www.srsmith.com> (3 pages).

(Continued)

Primary Examiner — Mitchell Siegel

(74) *Attorney, Agent, or Firm* - Stoel Rives LLP

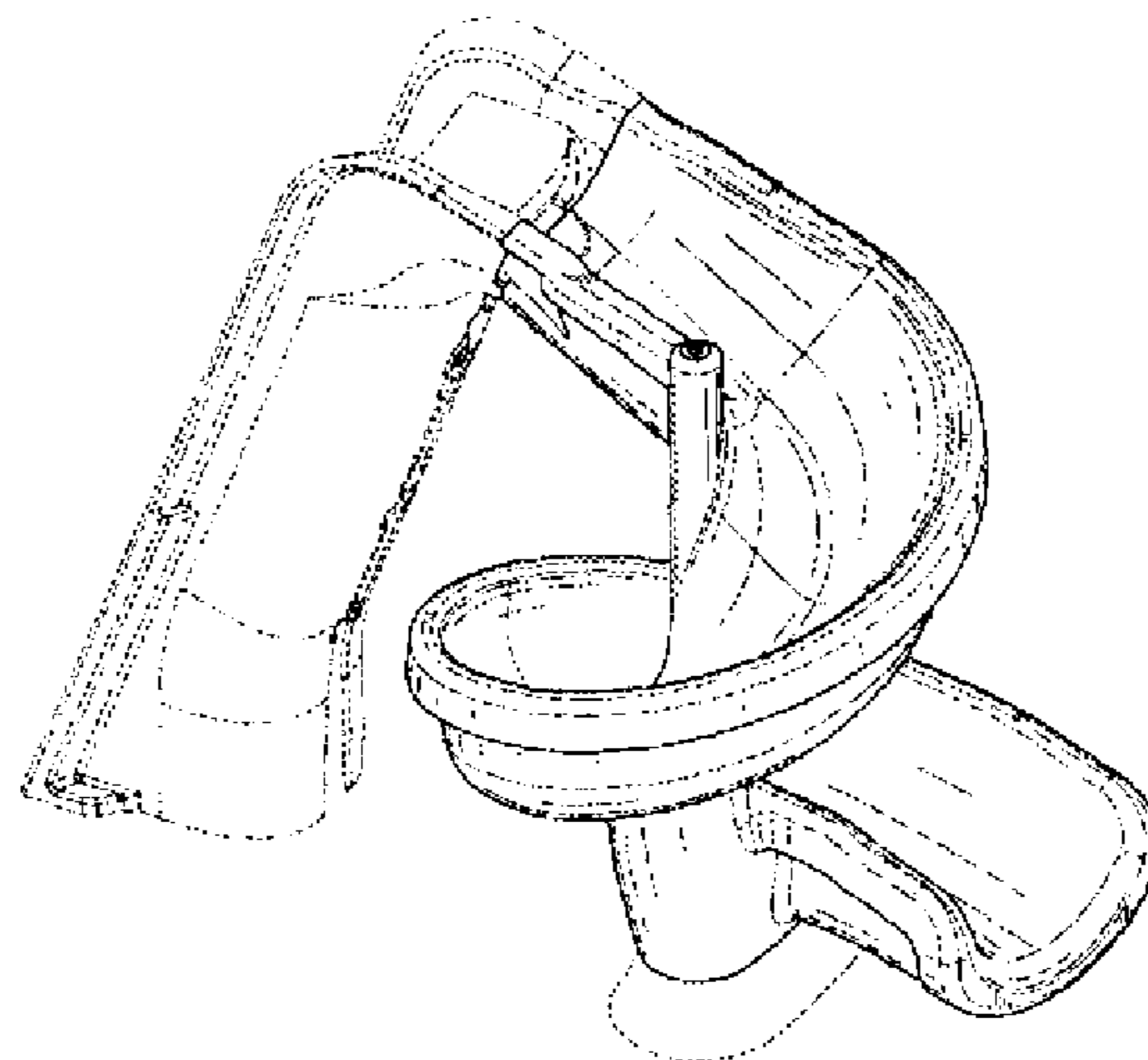
(57) **CLAIM**

The ornamental design for a water slide, as shown and described.

DESCRIPTION

FIG. 1 is a top left isometric view of a water slide showing the new design; FIG. 2 is a front side elevation view thereof; FIG. 3 is a rear side elevation view thereof; FIG. 4 is a left side elevation view thereof; FIG. 5 is a right side elevation view thereof; FIG. 6 is a top plan view thereof; FIG. 7 is a bottom plan view thereof; and, FIG. 8 is a top right isometric view of a second embodiment of a water slide as in FIGS. 1-7 but arranged in a left hand direction. The broken line showing of base and steps is included for the purpose of illustrating and forms no part of the claimed design.

1 Claim, 7 Drawing Sheets



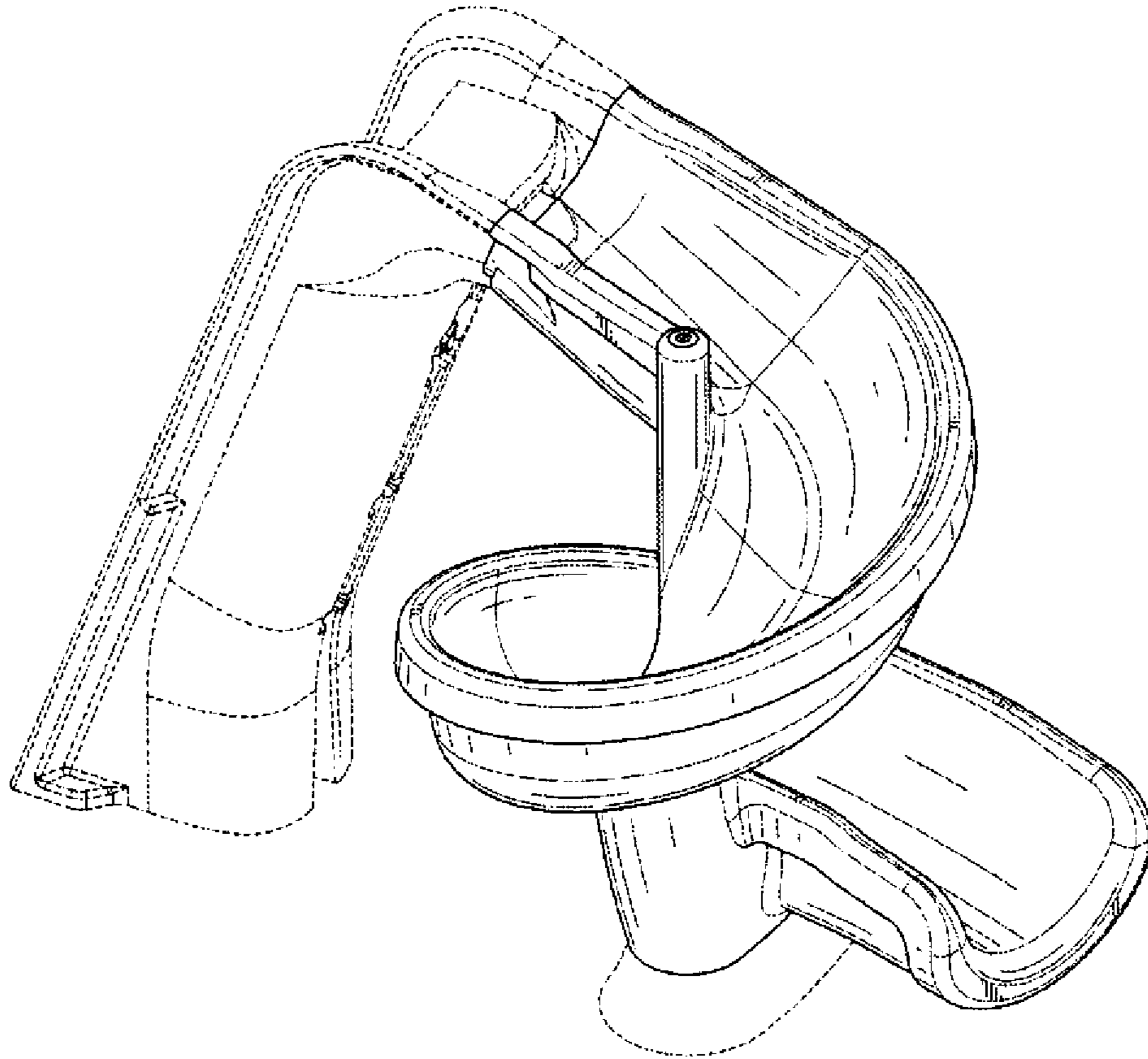


Fig. 1

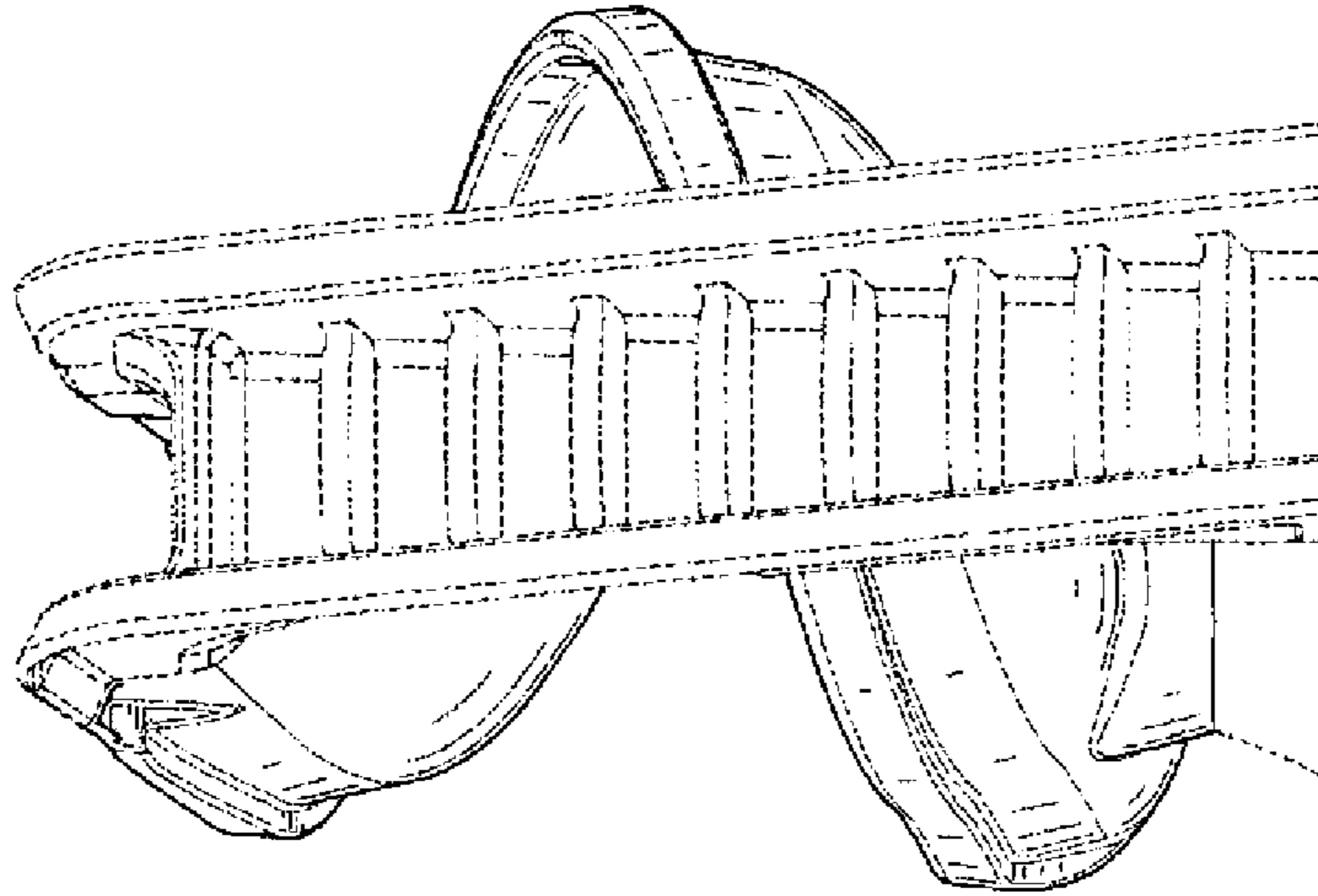


FIG. 3

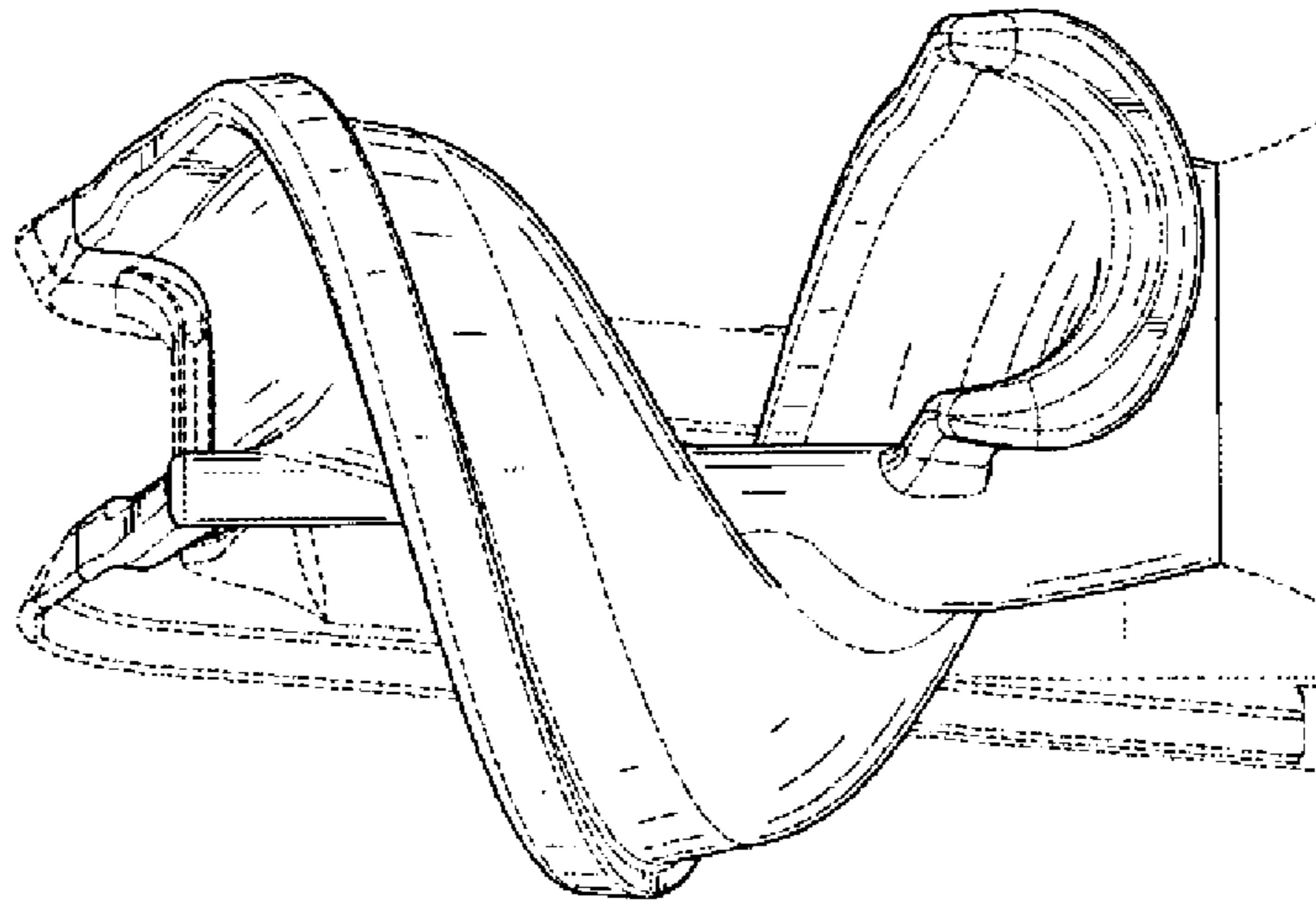


FIG. 2

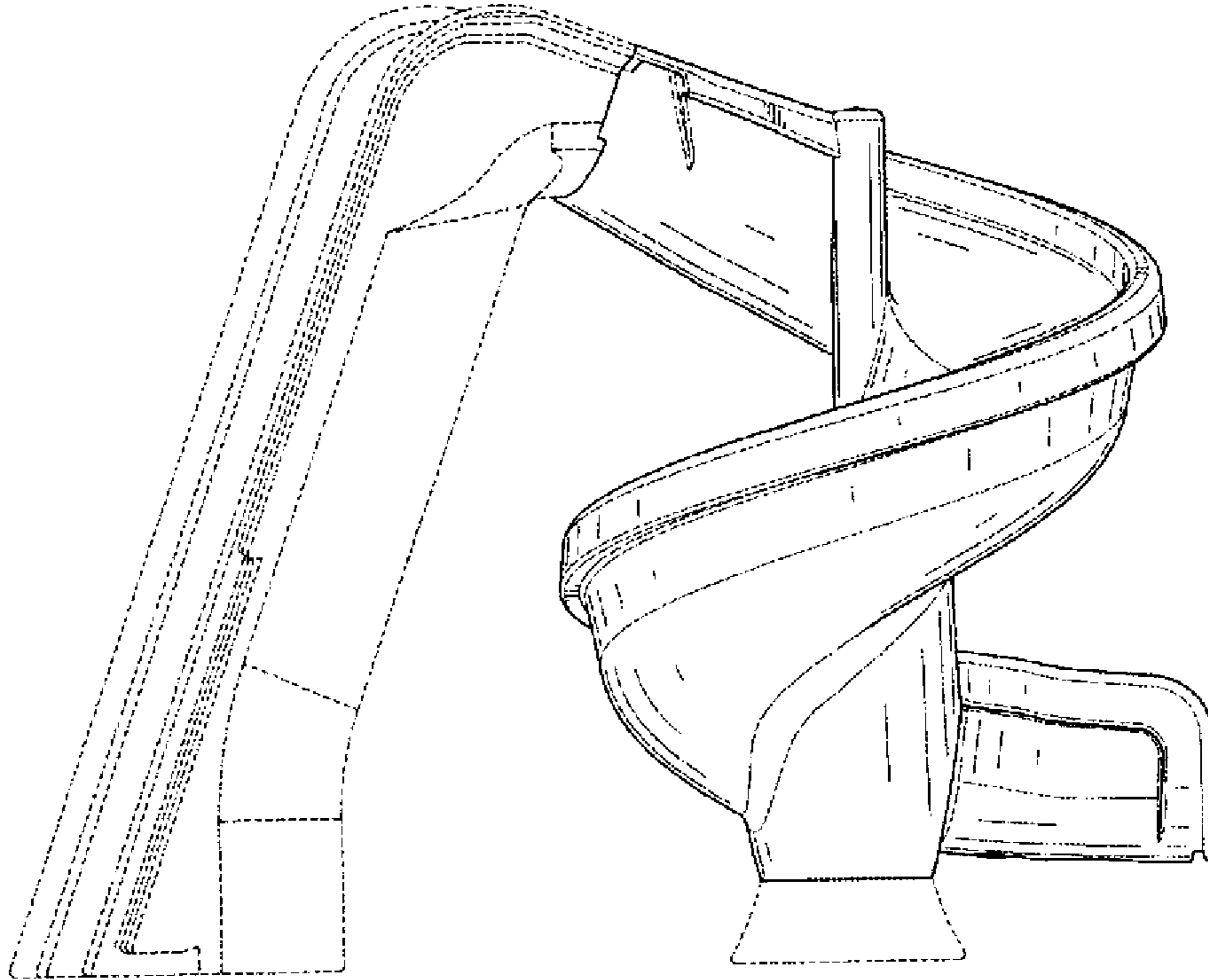


FIG. 4

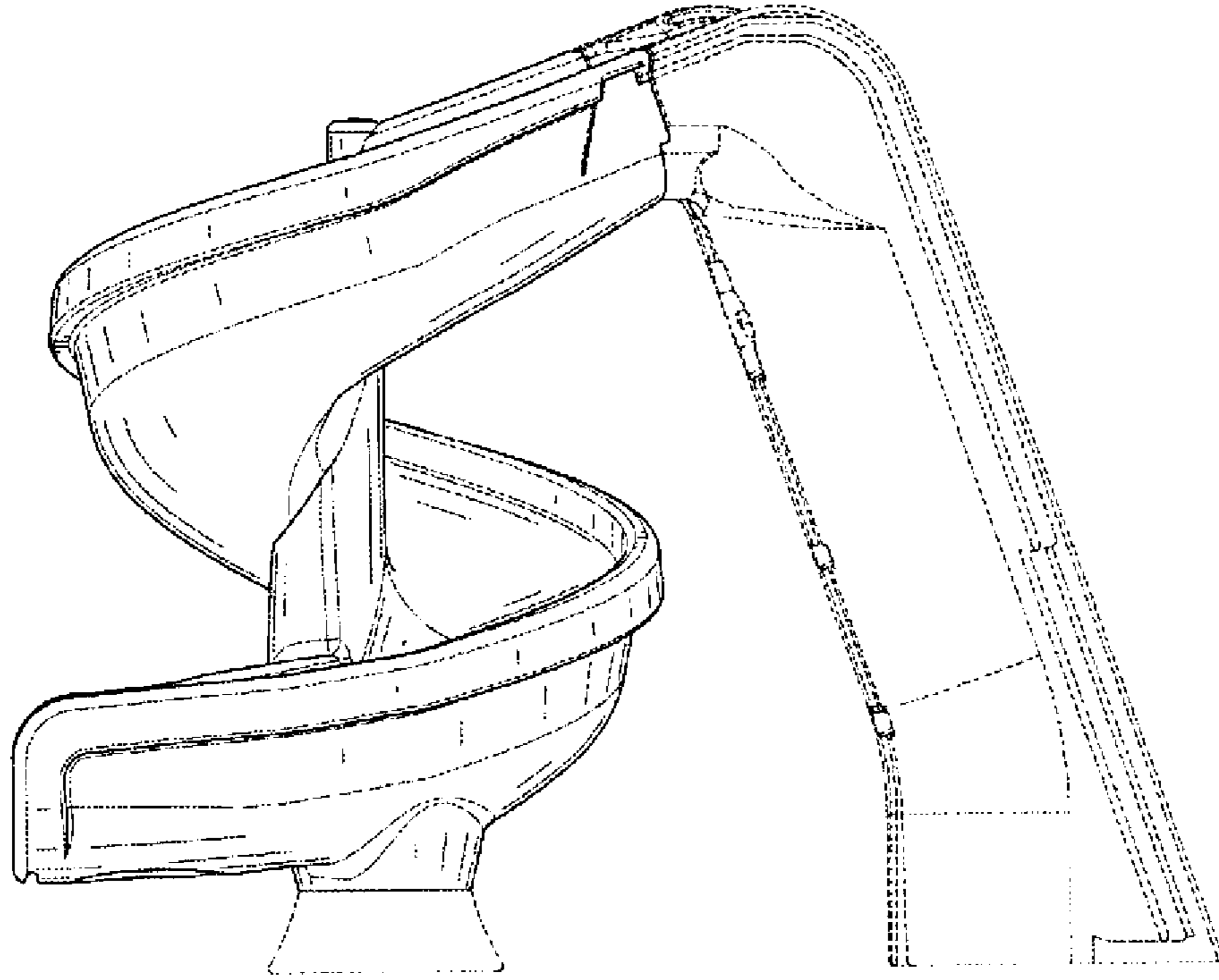


FIG. 5

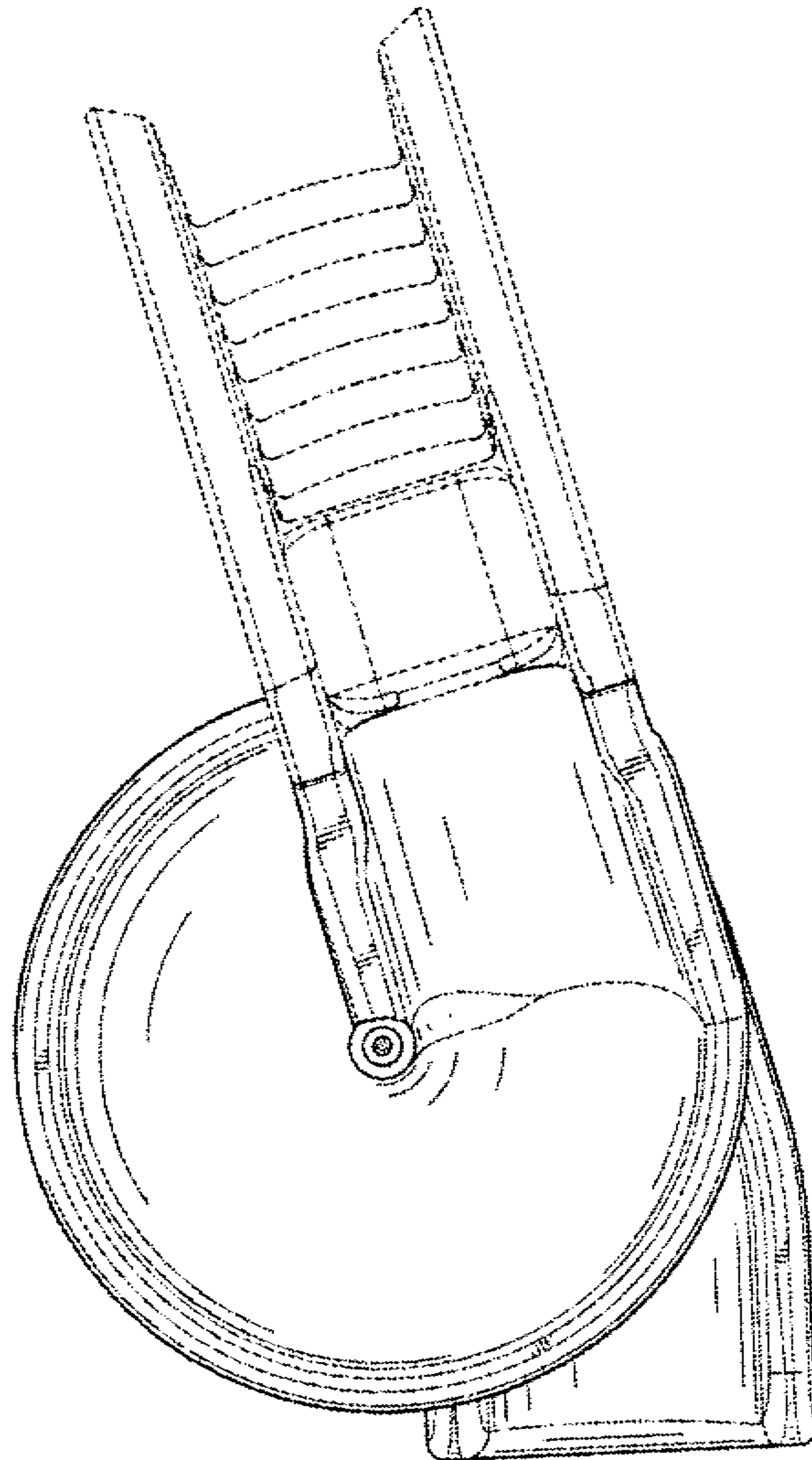


FIG. 6

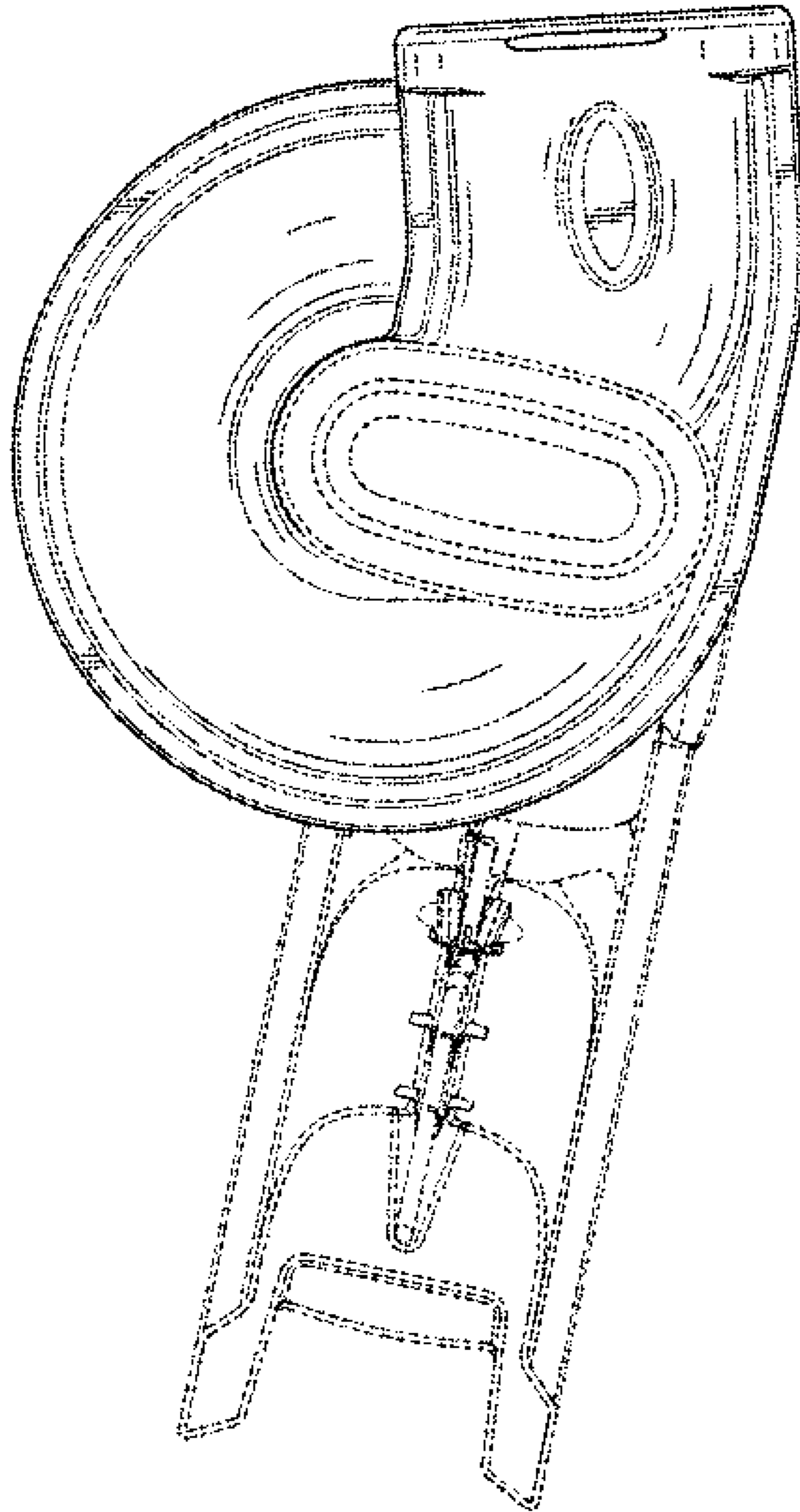


FIG. 7

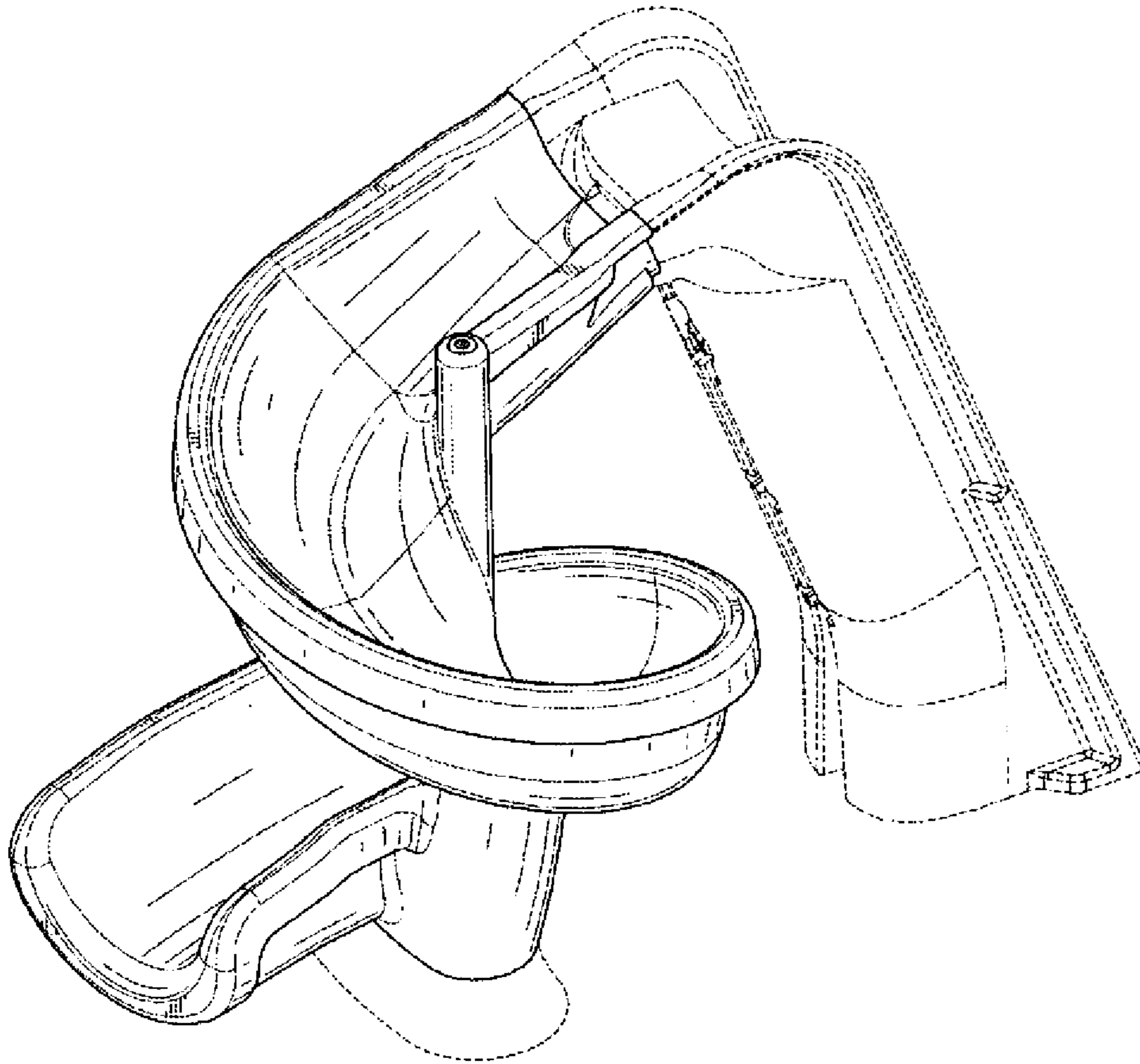


FIG. 8