



US00D703781S

(12) **United States Design Patent**
Durante et al.

(10) **Patent No.:** **US D703,781 S**
(45) **Date of Patent:** **** Apr. 29, 2014**

(54) **SURFCRAFT FIN**

(71) Applicant: **Fin Control Systems Pty. Limited,**
Mona Vale (AU)

(72) Inventors: **Michael Durante,** Mona Vale (AU);
Gregory Scott, Mona Vale (AU)

(73) Assignee: **Fin Control Systems Pty. Limited,**
Mona Vale (AU)

(**) Term: **14 Years**

(21) Appl. No.: **29/447,772**

(22) Filed: **Mar. 6, 2013**

(51) **LOC (10) Cl.** **21-02**

(52) **U.S. Cl.**
USPC **D21/778**

(58) **Field of Classification Search**
USPC D21/684-685, 760-761, 765-766,
D21/768-777, 778; 280/601, 609, 637,
280/11.36; 441/74-75
See application file for complete search history.

(56) **References Cited**

U.S. PATENT DOCUMENTS

4,320,546	A *	3/1982	Knox	441/74
6,595,817	B1 *	7/2003	Chang	441/79
6,695,662	B2 *	2/2004	Kelley	441/79
6,763,689	B1 *	7/2004	Thomas	70/14
RE38,840	E *	10/2005	Patterson	441/74
7,029,352	B1 *	4/2006	Suzuki	441/79

* cited by examiner

Primary Examiner — Zenia Bennett

(74) *Attorney, Agent, or Firm* — Nutter McClennen & Fish
LLP; John J. Penny, V.

(57) **CLAIM**

The ornamental design for a surfcraft fin, as shown and
described.

DESCRIPTION

FIG. 1 is a front perspective (left side) view of the surfcraft fin
of the present invention;

FIG. 2 is a rear view of the surfcraft fin of the present inven-
tion; and

FIG. 3 is a top view of the surfcraft fin of the present inven-
tion;

FIG. 4 is a left side view of the surfcraft fin of the present
invention;

FIG. 5 is a bottom view of the surfcraft fin of the present
invention;

FIG. 6 is a front view of the surfcraft fin of the present
invention;

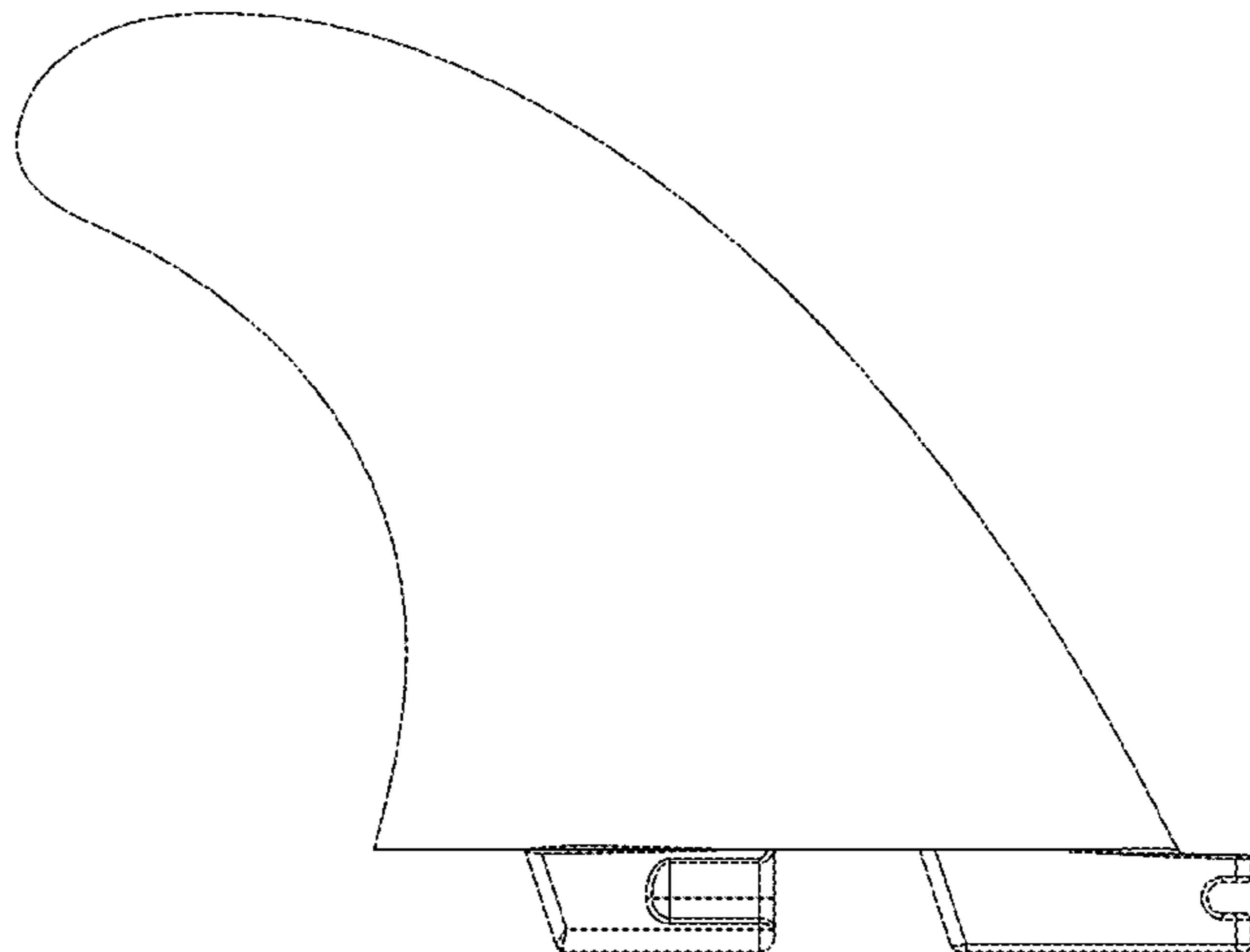
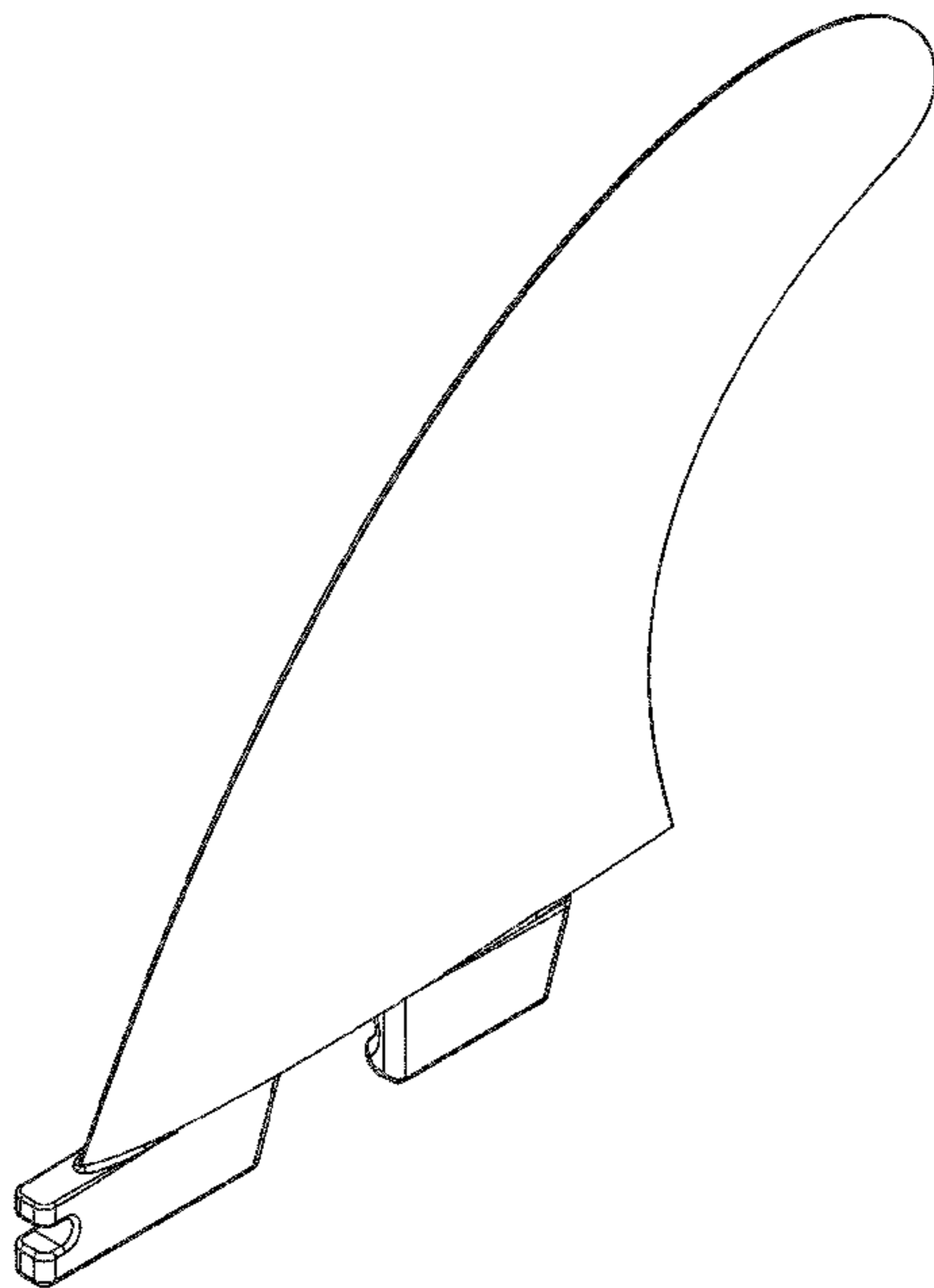
FIG. 7 is a front perspective (right side) view from the front of
the surfcraft fin of the present invention.

FIG. 8 is a rear perspective (right side) view from the back of
the surfcraft fin of the present invention.

FIG. 9 is a right side view from the back of the surfcraft fin of
the present invention; and,

FIG. 10 is a rear perspective (left side) view from the back of
the surfcraft fin of the present invention.

1 Claim, 10 Drawing Sheets



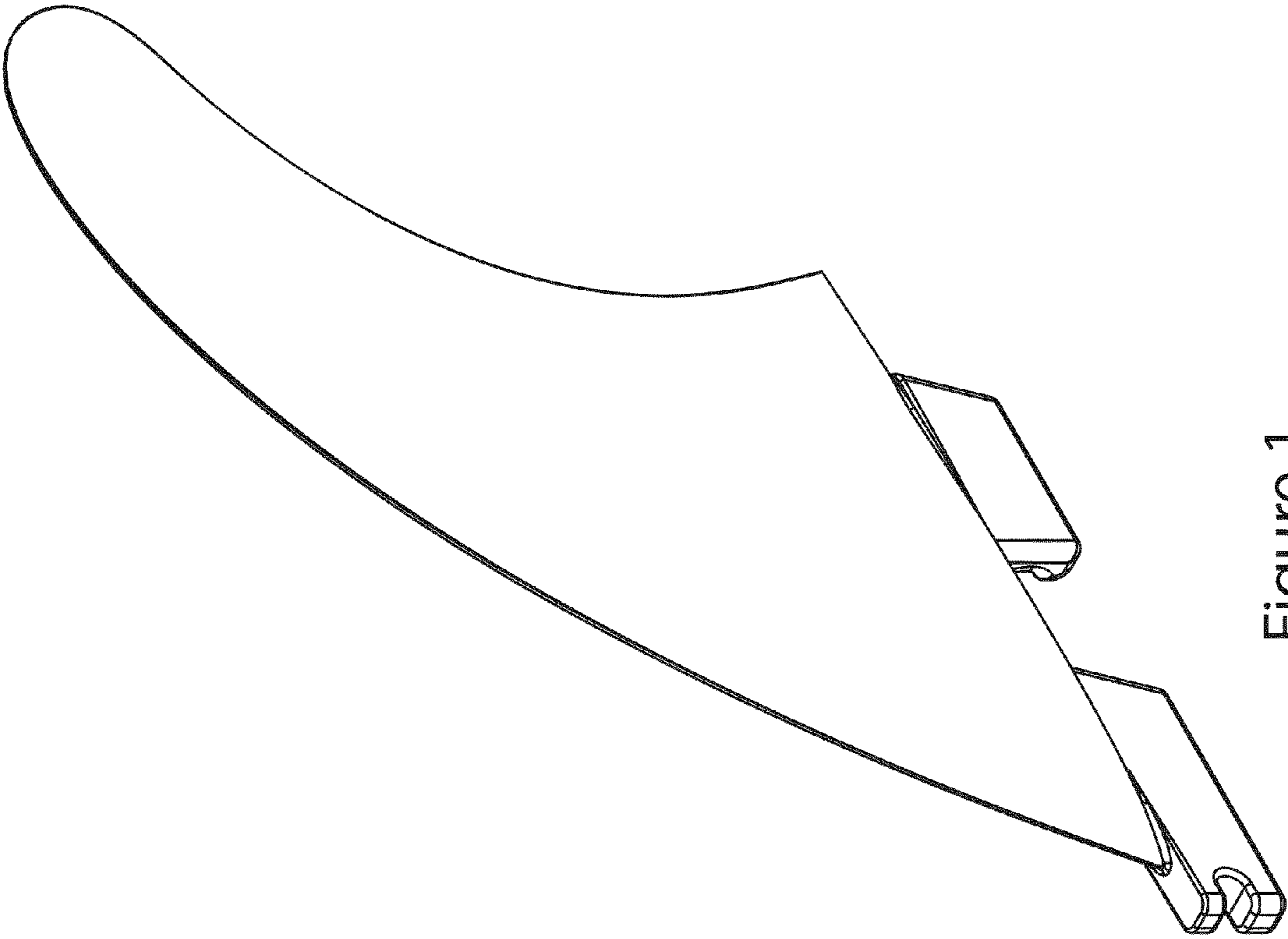


Figure 1



Figure 2



Figure 3

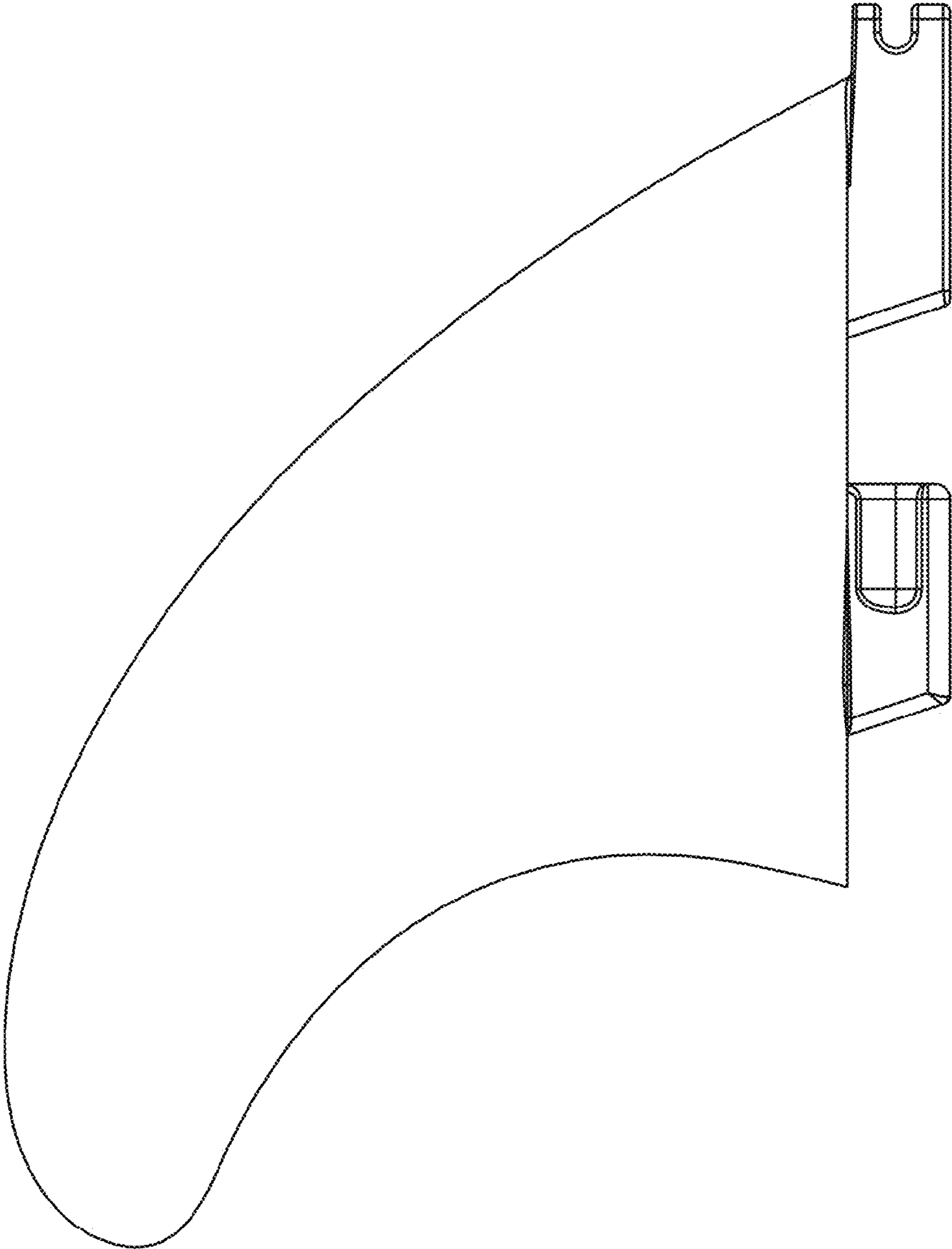


Figure 4



Figure 5



Figure 6

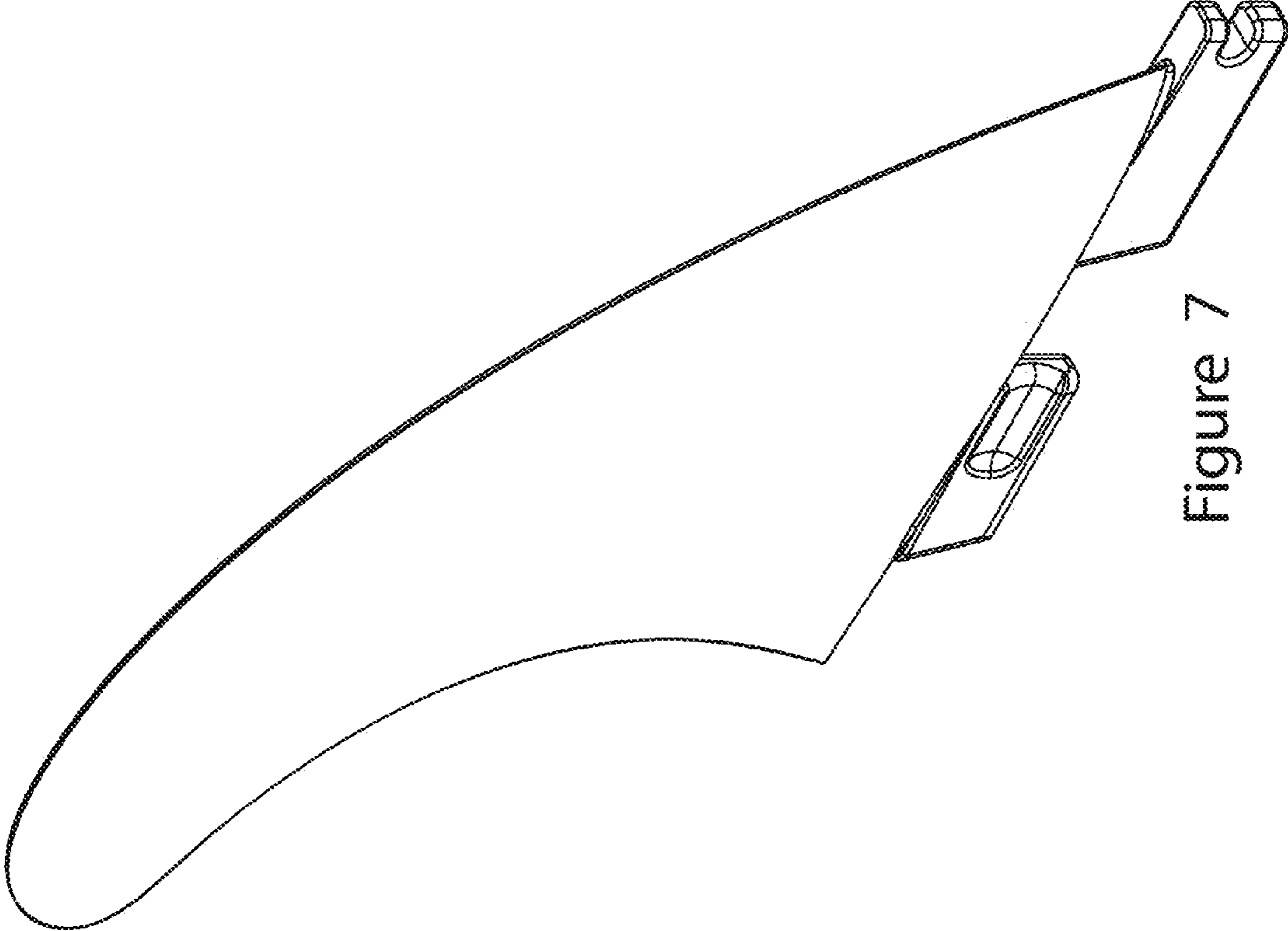


Figure 7

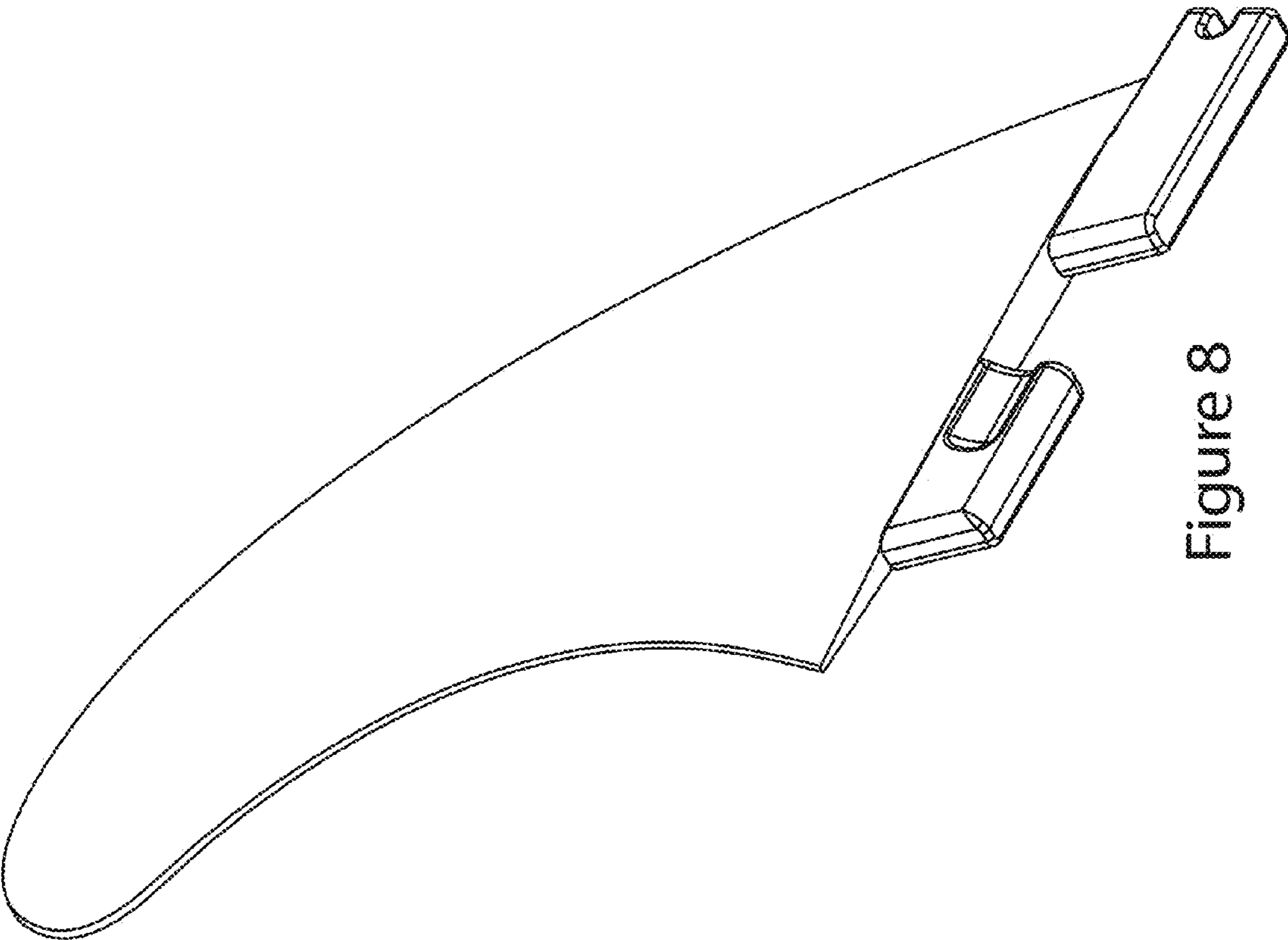


Figure 8

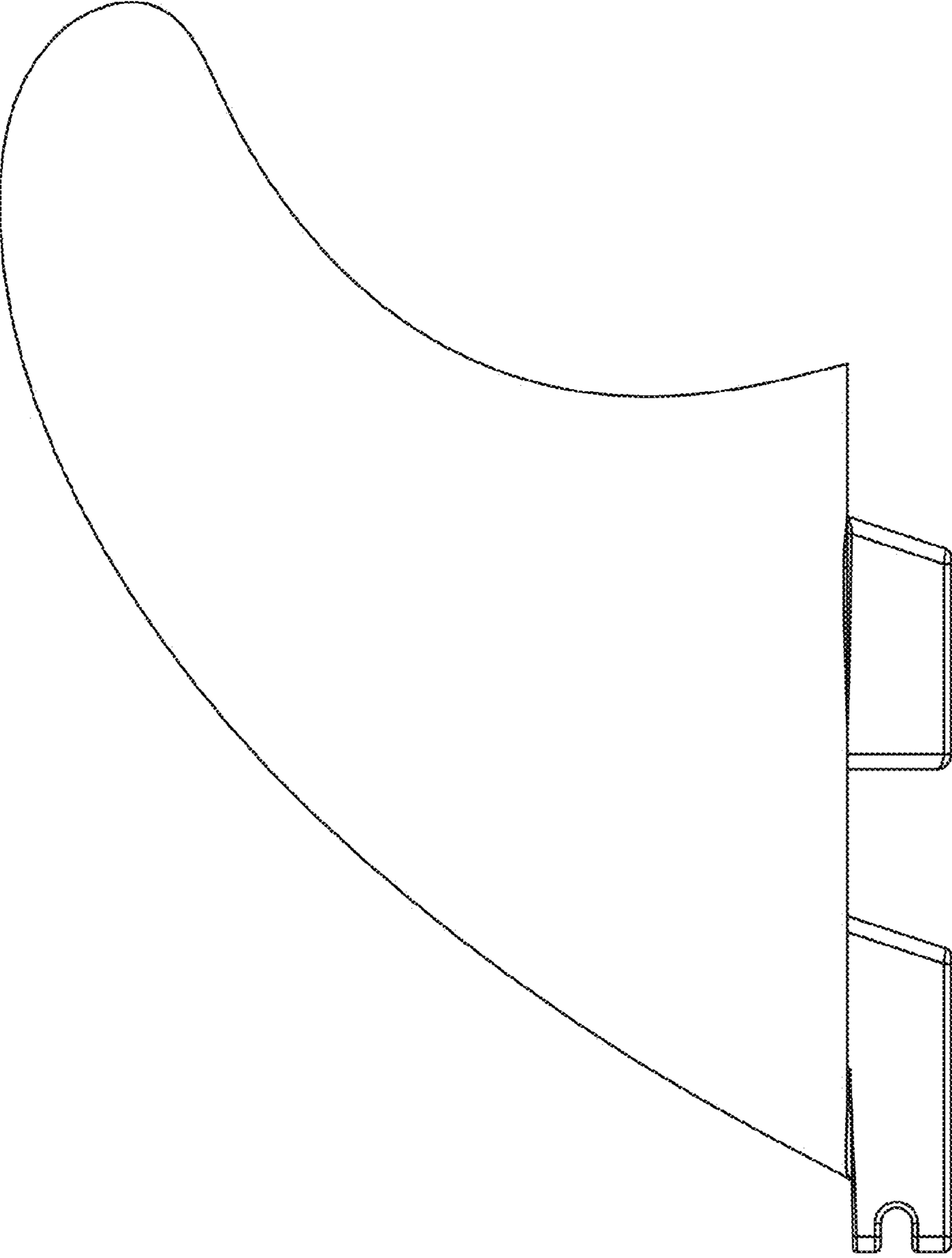


Figure 9

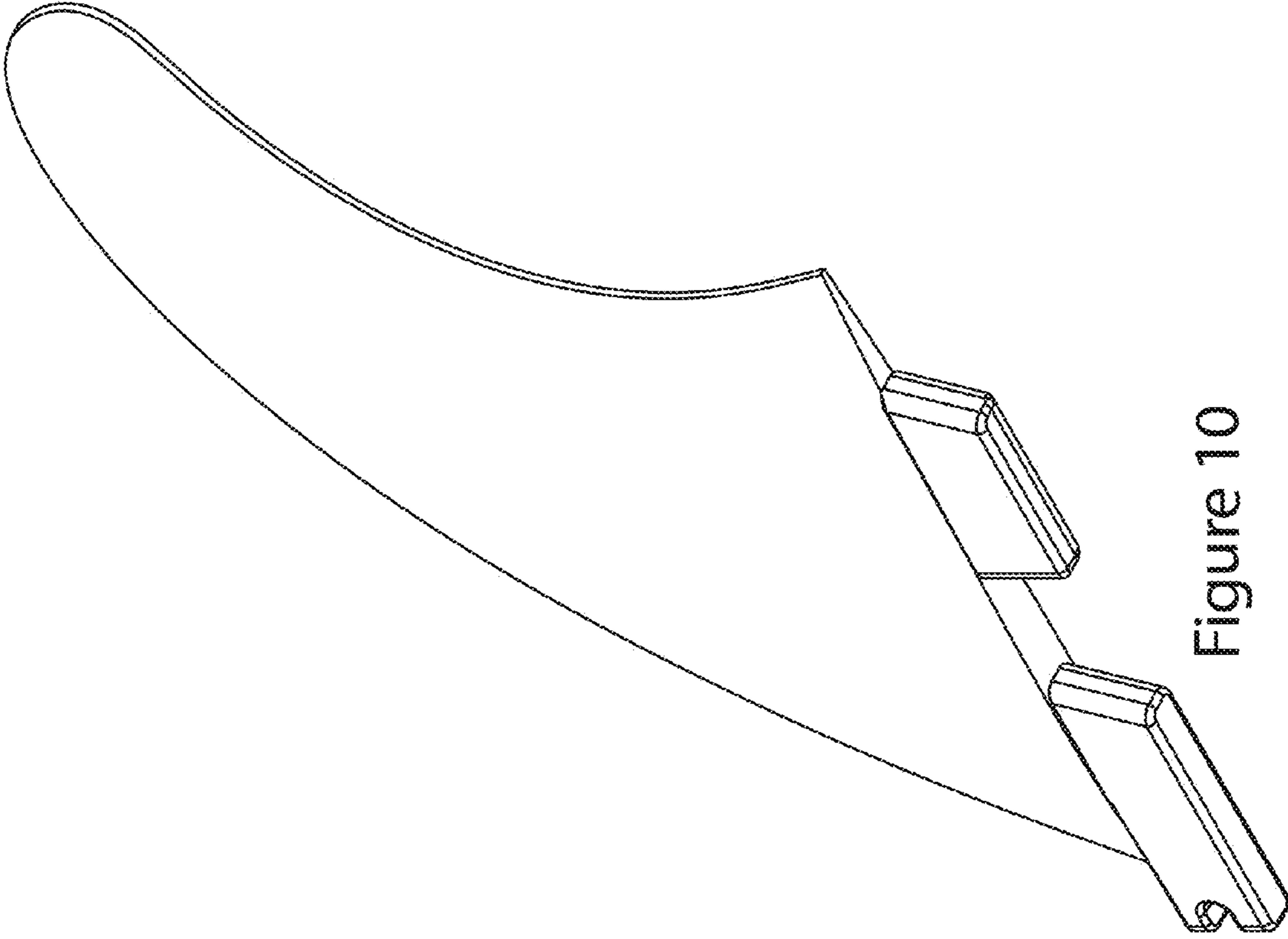


Figure 10