



US00D703778S

(12) **United States Design Patent**
Cerqua et al.

(10) **Patent No.:** **US D703,778 S**

(45) **Date of Patent:** **** Apr. 29, 2014**

(54) **GOLF CLUB COVER**

(71) Applicants: **Michael Cerqua**, Shelby, MI (US);
Matthew DiStefano, Macomb
Township, MI (US)

(72) Inventors: **Michael Cerqua**, Shelby, MI (US);
Matthew DiStefano, Macomb
Township, MI (US)

(**) Term: **14 Years**

(21) Appl. No.: **29/440,491**

(22) Filed: **Dec. 21, 2012**

Related U.S. Application Data

(63) Continuation-in-part of application No. 29/433,705,
filed on Oct. 4, 2012.

(51) **LOC (10) Cl.** **21-02**

(52) **U.S. Cl.**
USPC **D21/754**

(58) **Field of Classification Search**
USPC D21/754; 150/160
See application file for complete search history.

(56) **References Cited**

U.S. PATENT DOCUMENTS

D403,720	S	*	1/1999	Colinelli	D21/754
D403,725	S	*	1/1999	Colinelli	D21/754
D403,726	S	*	1/1999	Colinelli	D21/754
D403,727	S	*	1/1999	Colinelli	D21/754
5,908,344	A	*	6/1999	Kociemba	150/160
D417,899	S	*	12/1999	Sloan	D21/754
6,113,457	A	*	9/2000	Kociemba	150/160
D465,821	S	*	11/2002	Pontiff	D21/754

D466,172	S	*	11/2002	Pontiff	D21/754
D466,568	S	*	12/2002	Pontiff	D21/754
D466,572	S	*	12/2002	Pontiff	D21/754
D468,384	S	*	1/2003	Harkins	D21/754
D516,151	S	*	2/2006	Murata et al.	D21/754
D527,778	S	*	9/2006	Mithen	D21/754

* cited by examiner

Primary Examiner — Mitchell Siegel

(74) *Attorney, Agent, or Firm* — Preston Smirman; Smirman
IP Law, PLLC

(57) **CLAIM**

We claim the ornamental design for a golf club cover, as
shown and described.

DESCRIPTION

FIG. 1 is a perspective view of our design for a golf club
cover;

FIG. 2 is a front view of the design for a golf club cover shown
in FIG. 1;

FIG. 3 is a left side elevational view of the design for a golf
club cover shown in FIG. 1;

FIG. 4 is a top view of the design for a golf club cover shown
in FIG. 1;

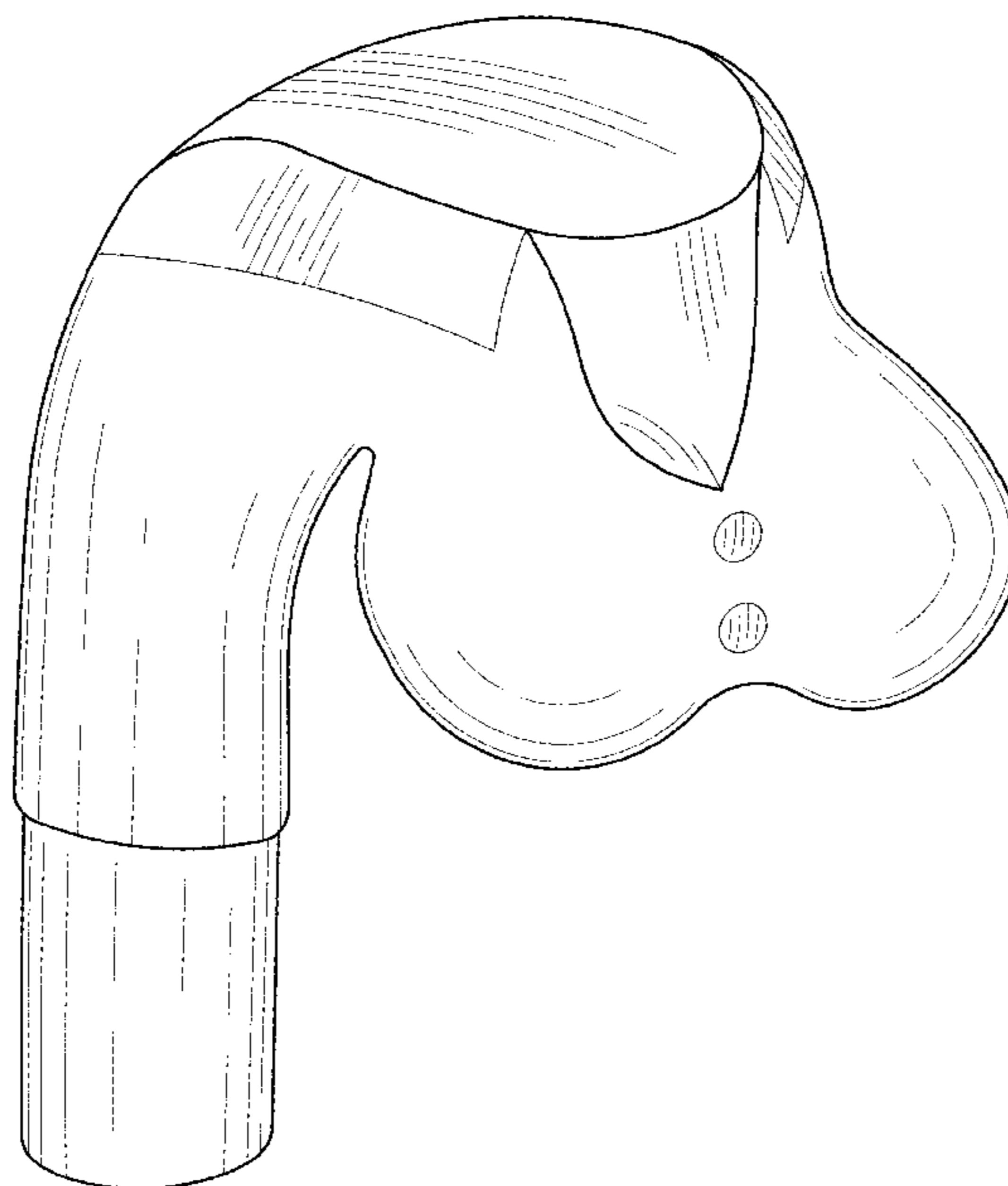
FIG. 5 is a rear view of the design for a golf club cover shown
in FIG. 1;

FIG. 6 is a right side elevational view of the design for a golf
club cover shown in FIG. 1;

FIG. 7 is a bottom view of the design for a golf club cover
shown in FIG. 1; and,

FIG. 8 is a perspective view of the design for a golf club cover
shown in FIG. 1, including a shaft and grip portion of a golf
club extending therefrom and shown in broken lines, the shaft
and grip portions of the golf club forming no part of the
claimed invention.

1 Claim, 5 Drawing Sheets



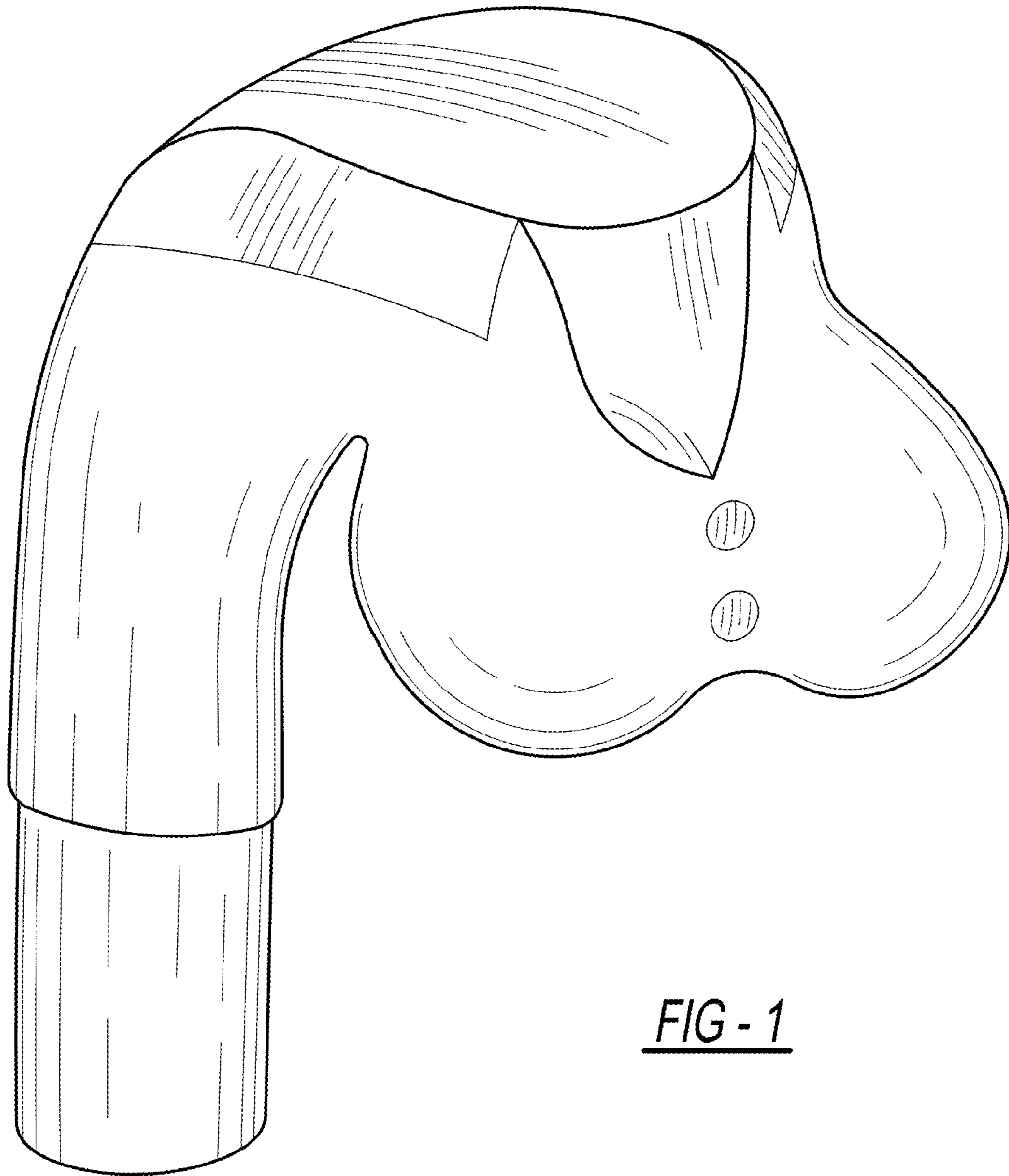


FIG - 1

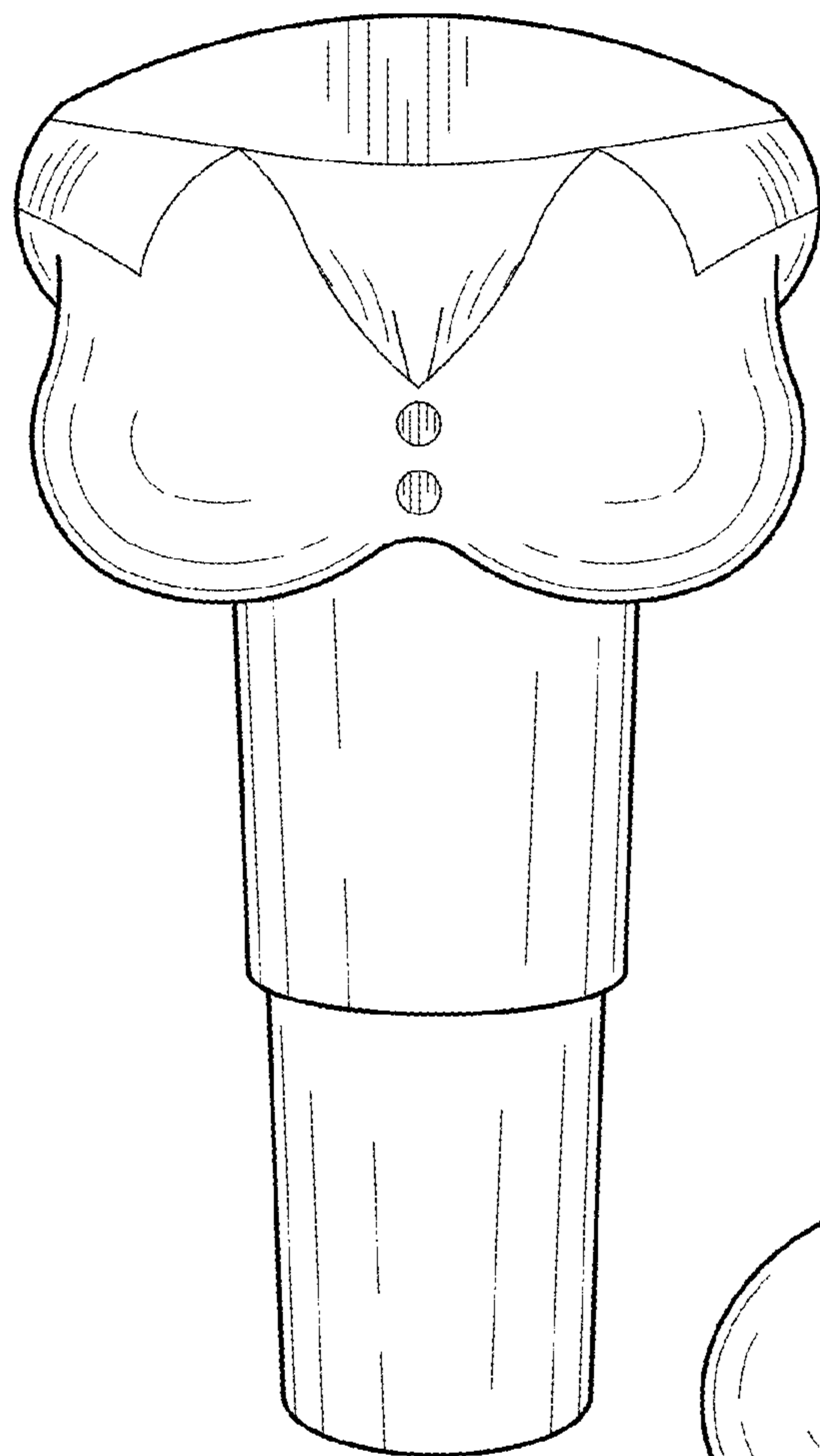


FIG - 2

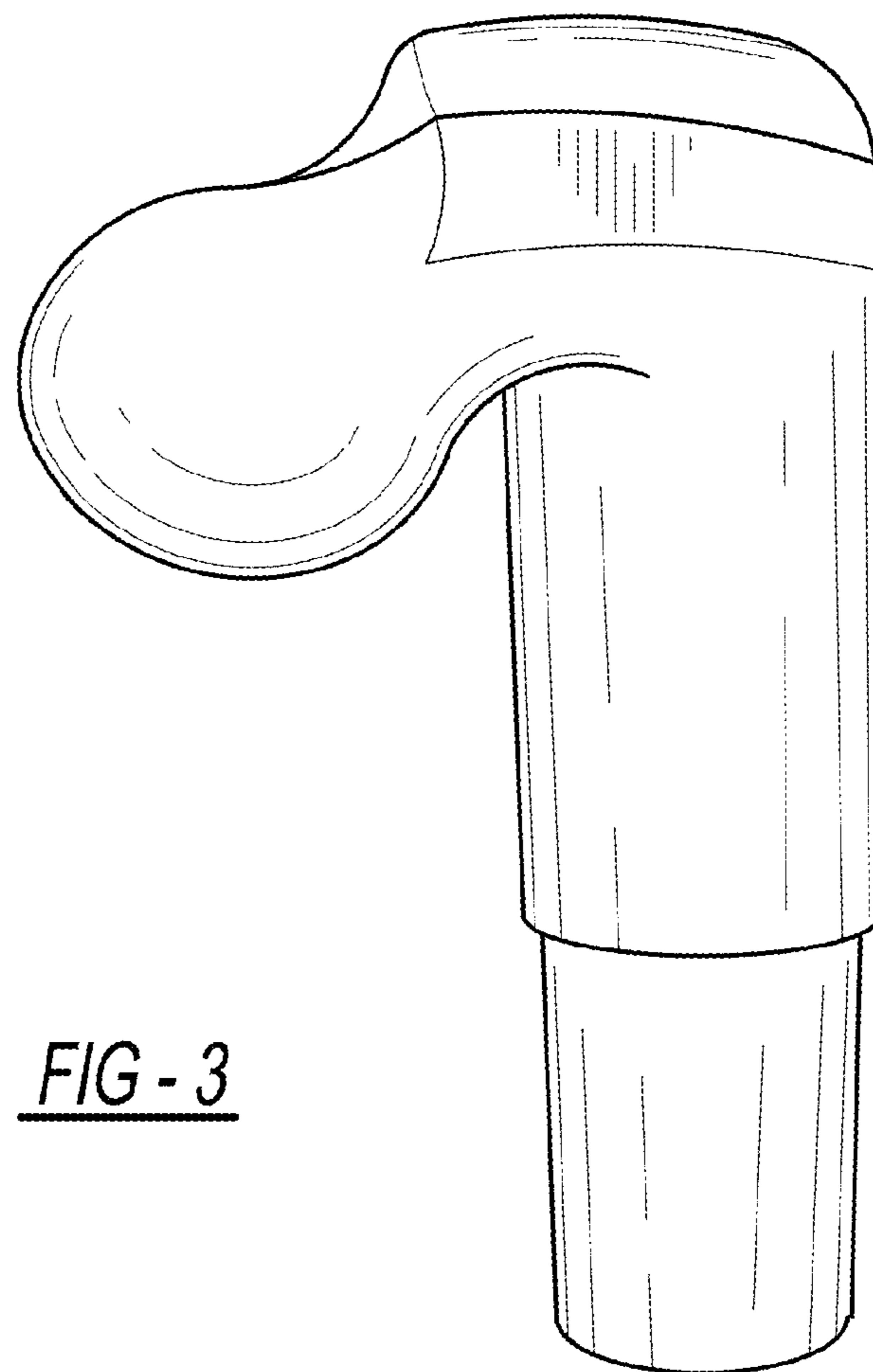


FIG - 3

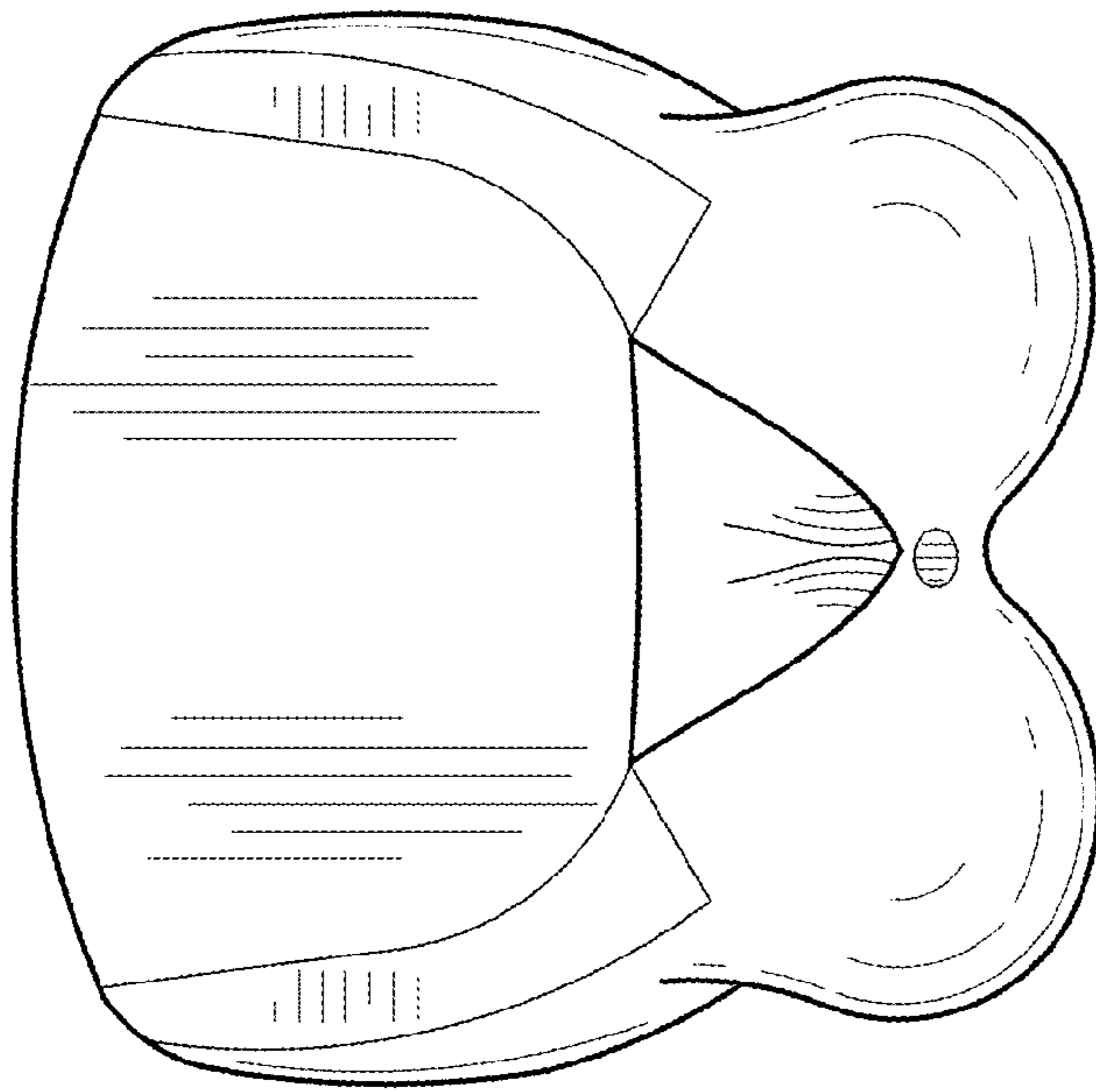


FIG - 4

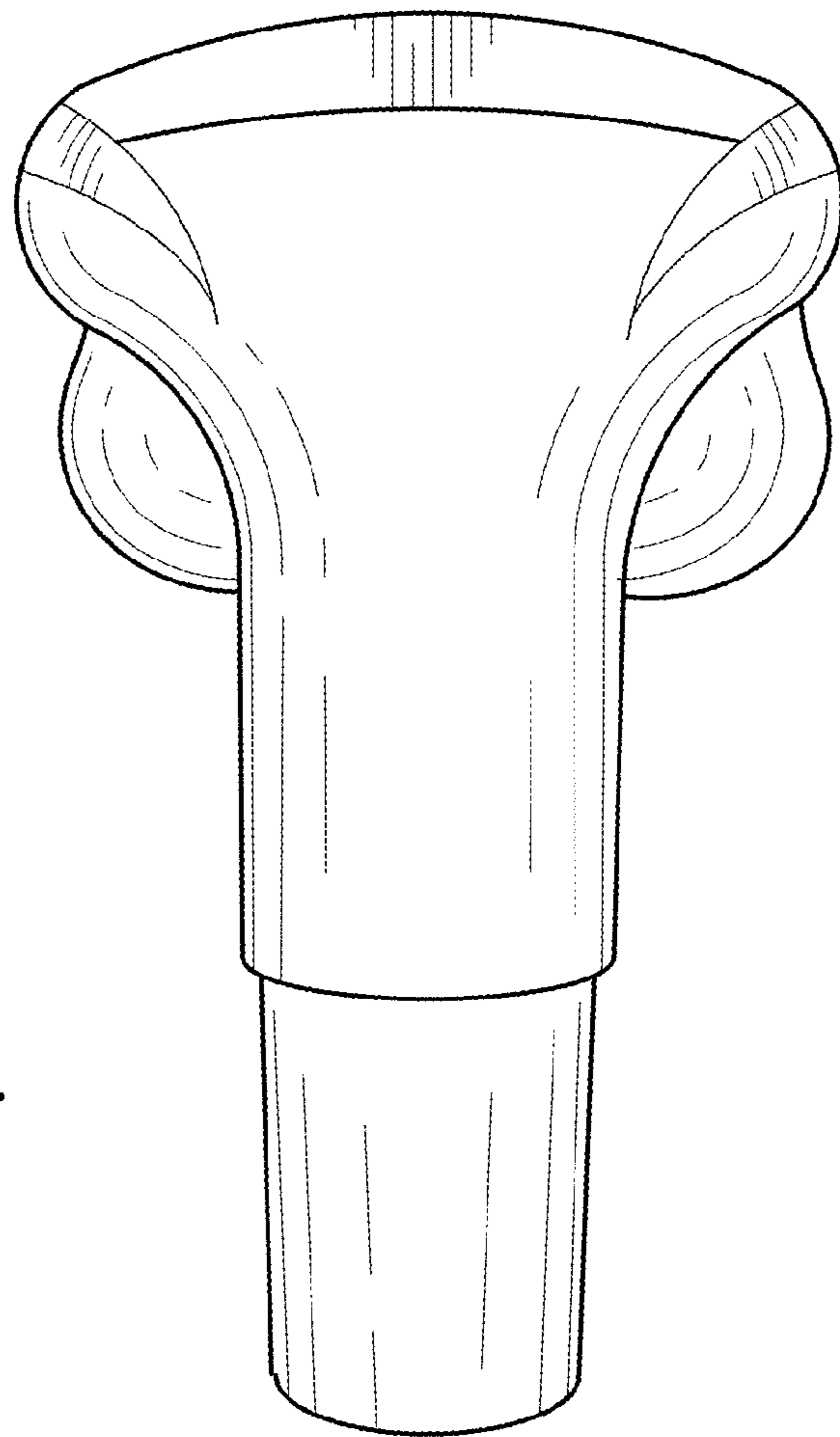


FIG - 5

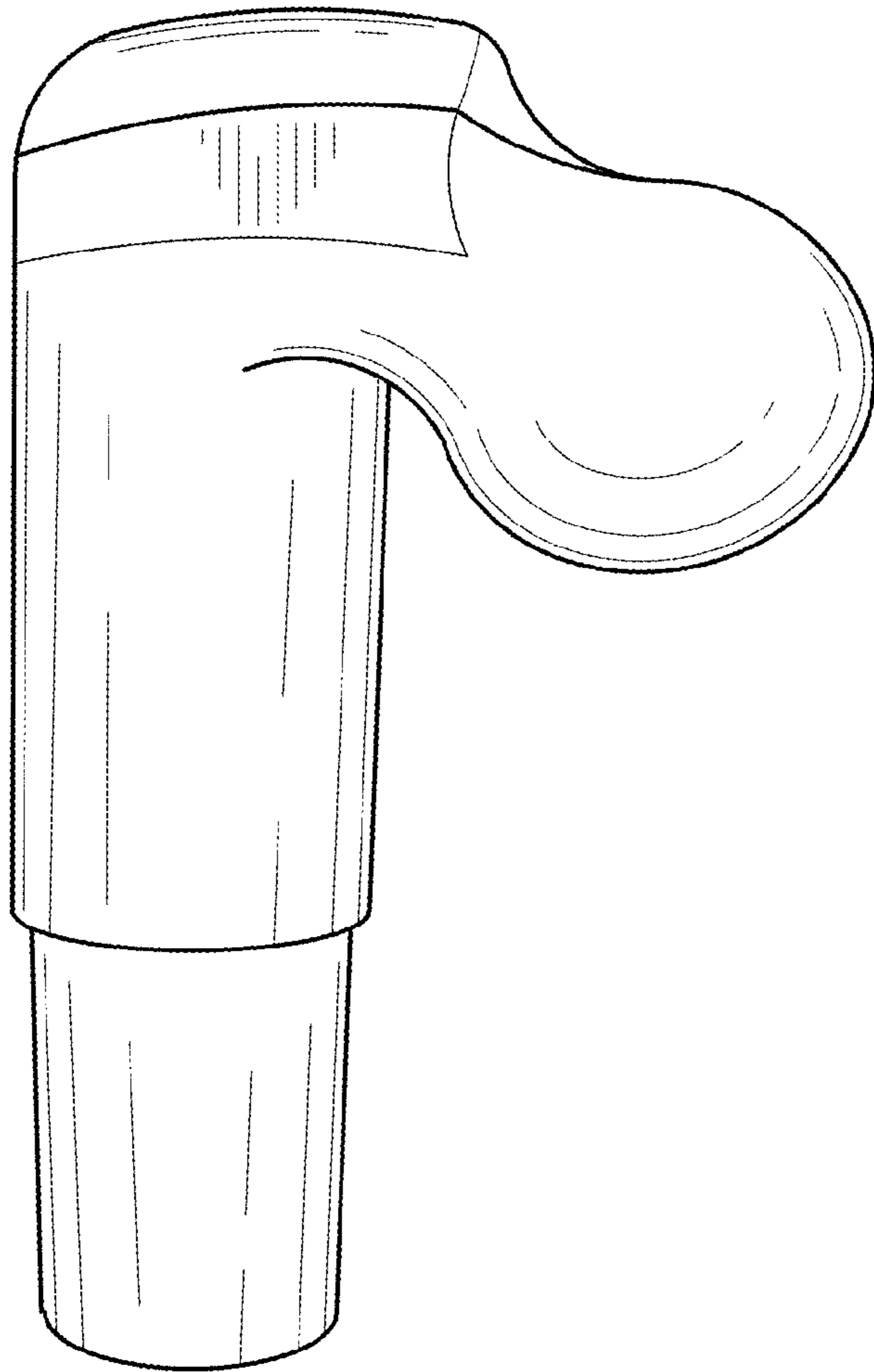


FIG - 6

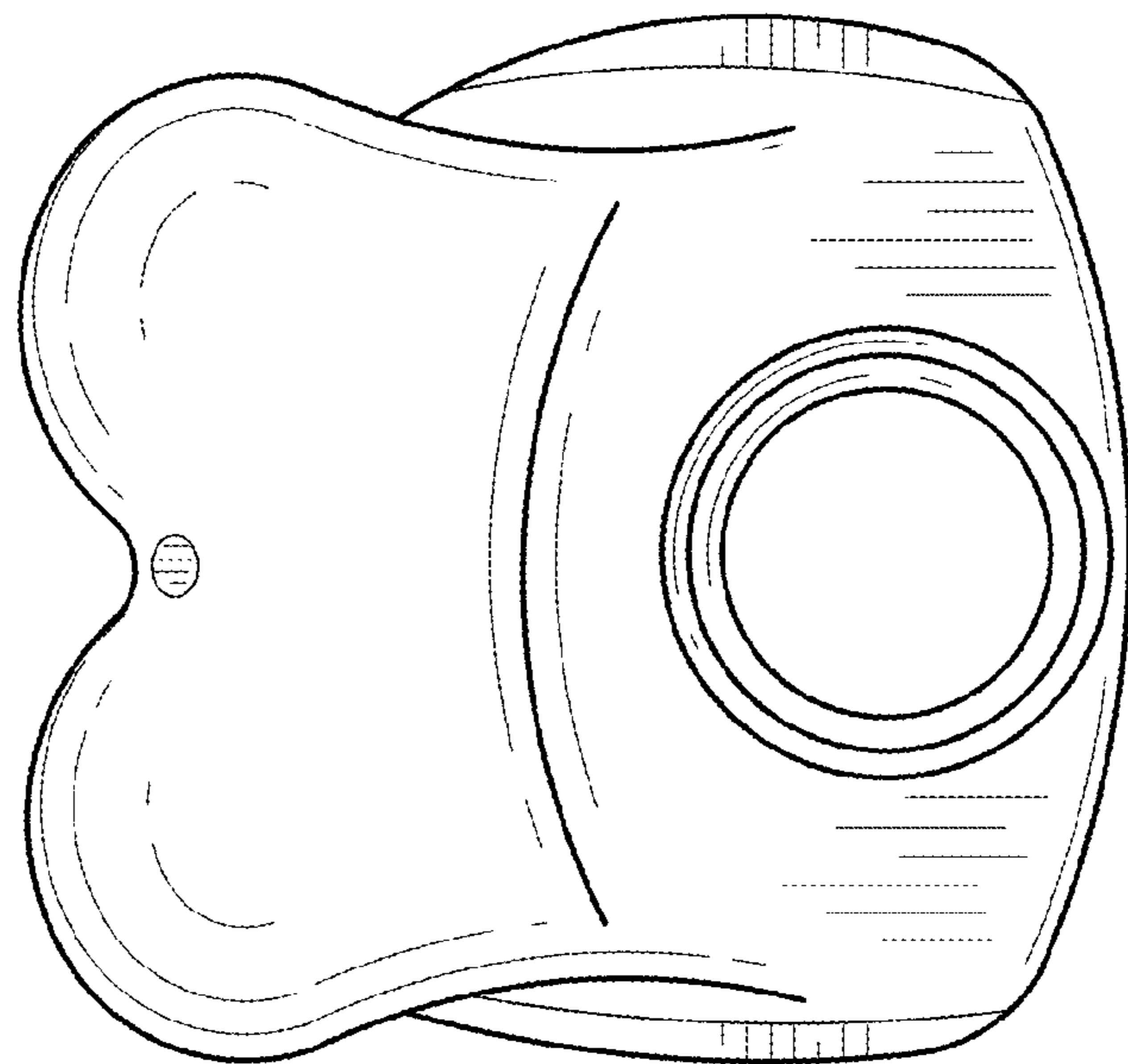


FIG - 7

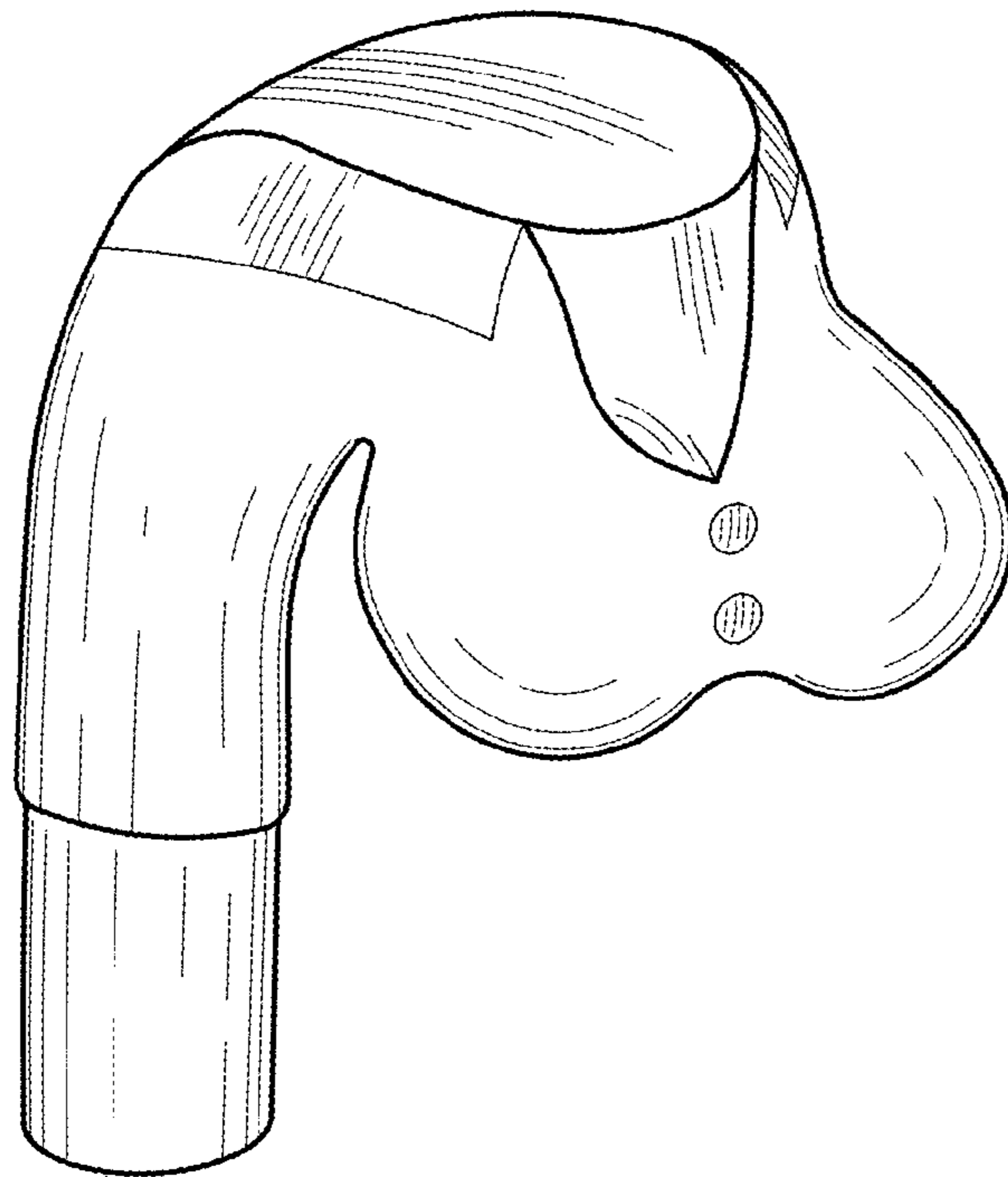


FIG - 8