



US00D703776S

(12) **United States Design Patent**
Hu

(10) **Patent No.:** **US D703,776 S**
(45) **Date of Patent:** **** *Apr. 29, 2014**

(54) **BASKETBALL**

(71) Applicant: **Chunwei Jerry Hu**, Bowling Green, KY (US)

(72) Inventor: **Chunwei Jerry Hu**, Bowling Green, KY (US)

(73) Assignee: **Russell Brands, LLC**, Bowling Green, KY (US)

(*) Notice: This patent is subject to a terminal disclaimer.

(**) Term: **14 Years**

(21) Appl. No.: **29/433,564**

(22) Filed: **Oct. 1, 2012**

(51) **LOC (10) Cl.** **21-02**

(52) **U.S. Cl.**
USPC **D21/713**

(58) **Field of Classification Search**
USPC D21/707-714; D30/160; 473/569-615, 473/FOR. 134-FOR. 167, FOR. 228, 473/FOR. 229; 446/220-226; 119/707-711; 40/327; 428/11

See application file for complete search history.

(56) **References Cited**

U.S. PATENT DOCUMENTS

2,352,872 A * 7/1944 Voit et al. 473/605
5,335,907 A * 8/1994 Spector 473/594
D462,732 S * 9/2002 Morrison et al. D21/713

D484,934 S * 1/2004 Chang D21/713
6,752,732 B2 * 6/2004 Morrison et al. 473/604
D495,386 S 8/2004 Bryant
D568,425 S * 5/2008 Oono D21/713
D590,460 S * 4/2009 Hirata et al. D21/713
2008/0188334 A1 * 8/2008 Feeney et al. 473/605

FOREIGN PATENT DOCUMENTS

CN 301045051 * 10/2009
CN 301553873 * 5/2011
EM 001611575-0001 * 9/2009
JP 1262393 * 2/2006

* cited by examiner

Primary Examiner — Catherine Tuttle

(74) *Attorney, Agent, or Firm* — Bradley Arant Boult Cummings, LLP

(57) **CLAIM**

The ornamental design for a basketball, as shown and described.

DESCRIPTION

FIG. 1 is a perspective view showing my new basketball design.

FIG. 2 is a right-side elevation view thereof.

FIG. 3 is a left-side elevation view thereof.

FIG. 4 is a front elevation view thereof.

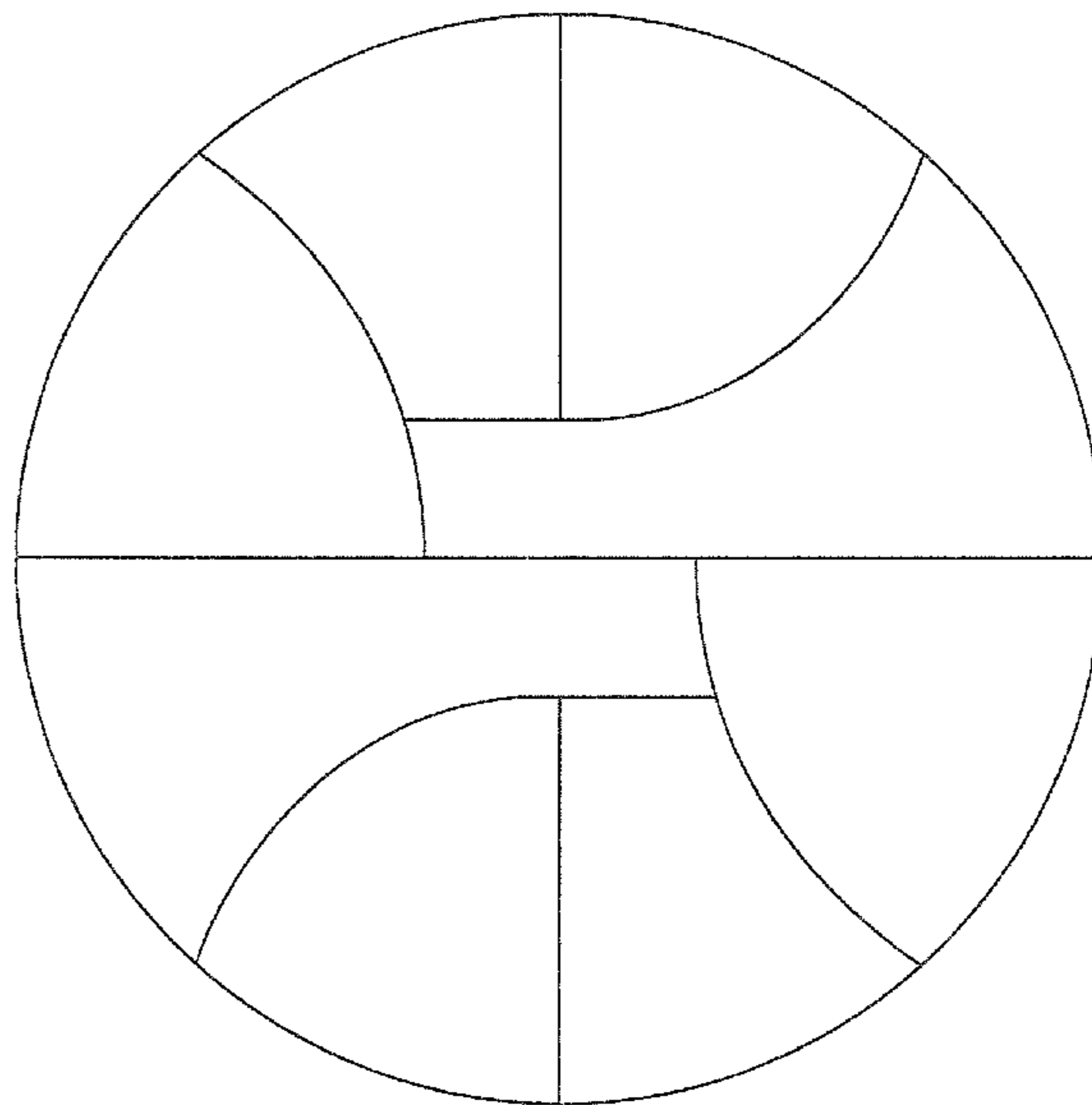
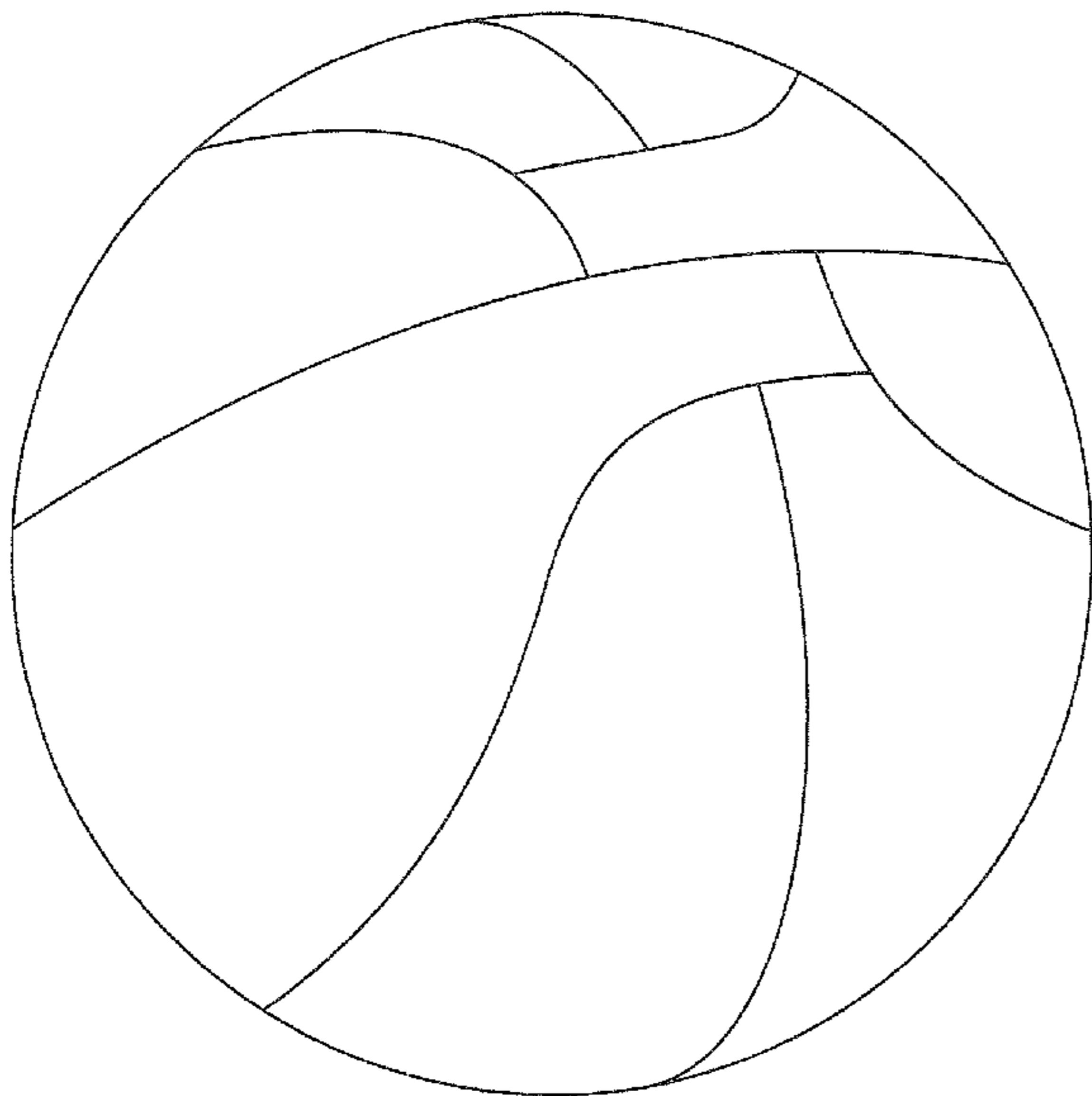
FIG. 5 is a back elevation view thereof.

FIG. 6 is a top plan view thereof; and,

FIG. 7 is a bottom plan view thereof.

The dashed lines indicating the valve for inflating the basketball are for illustrative purposes only and form no part of the claimed design.

1 Claim, 7 Drawing Sheets



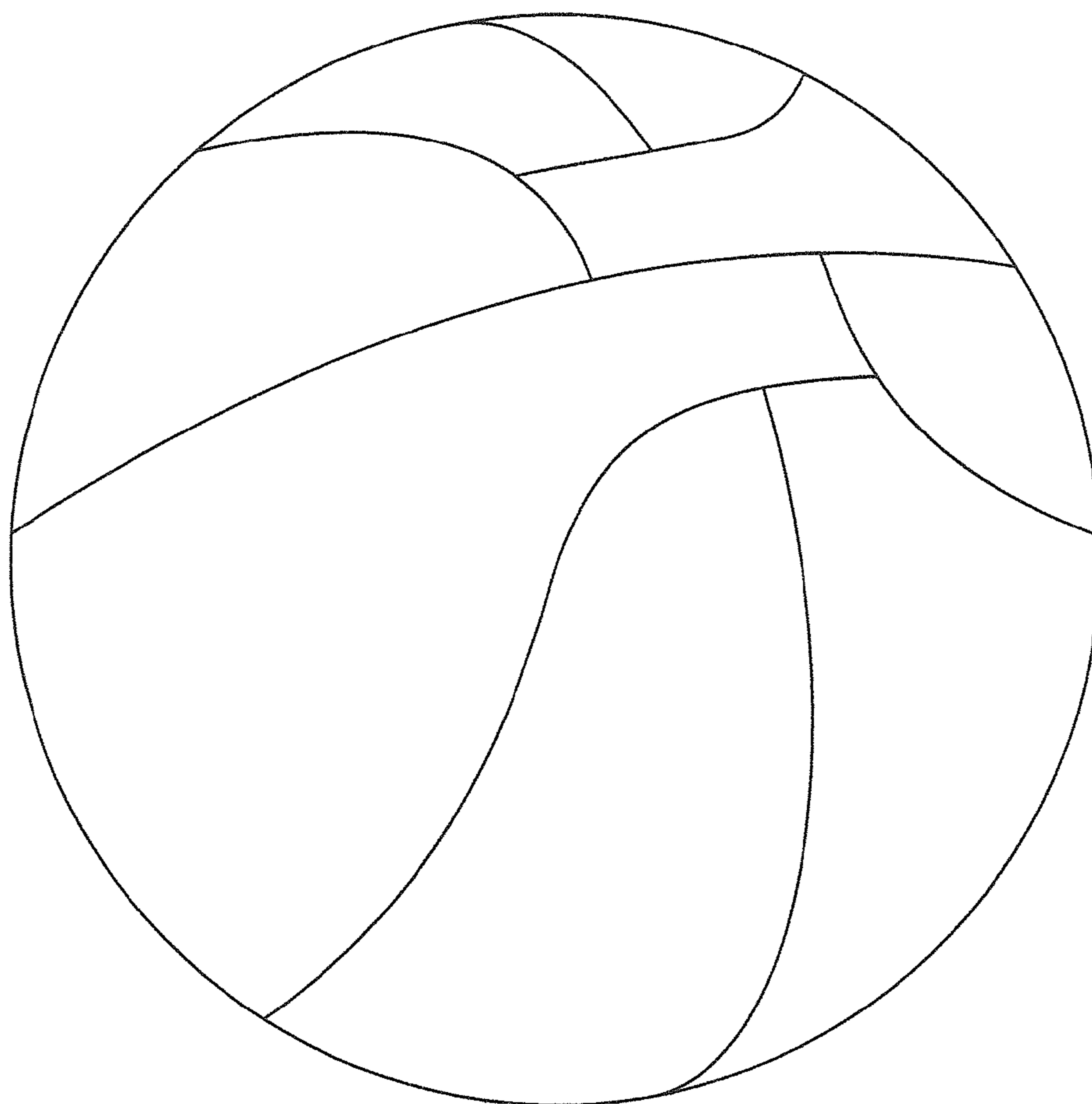


FIG. 1

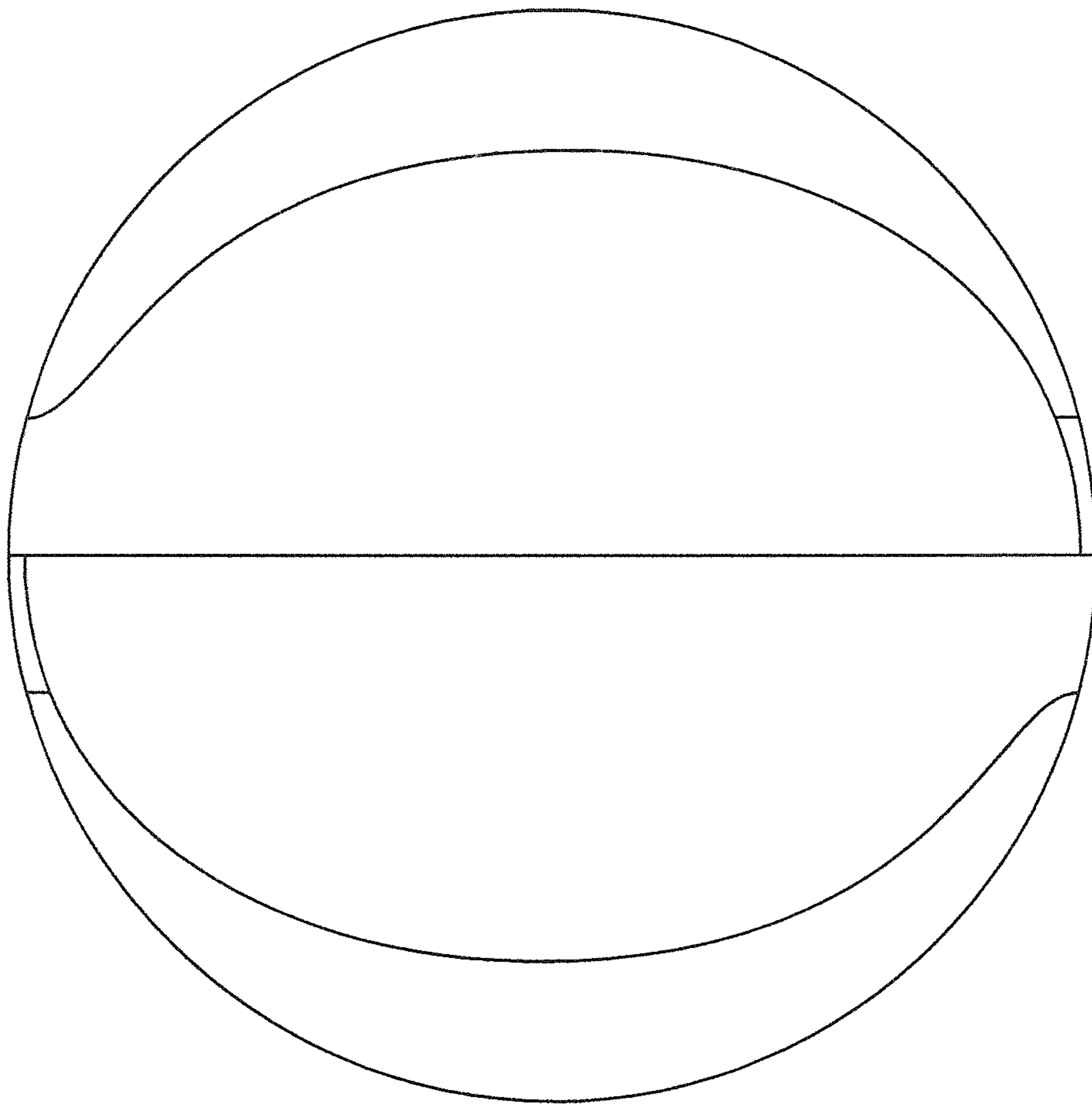


FIG. 2

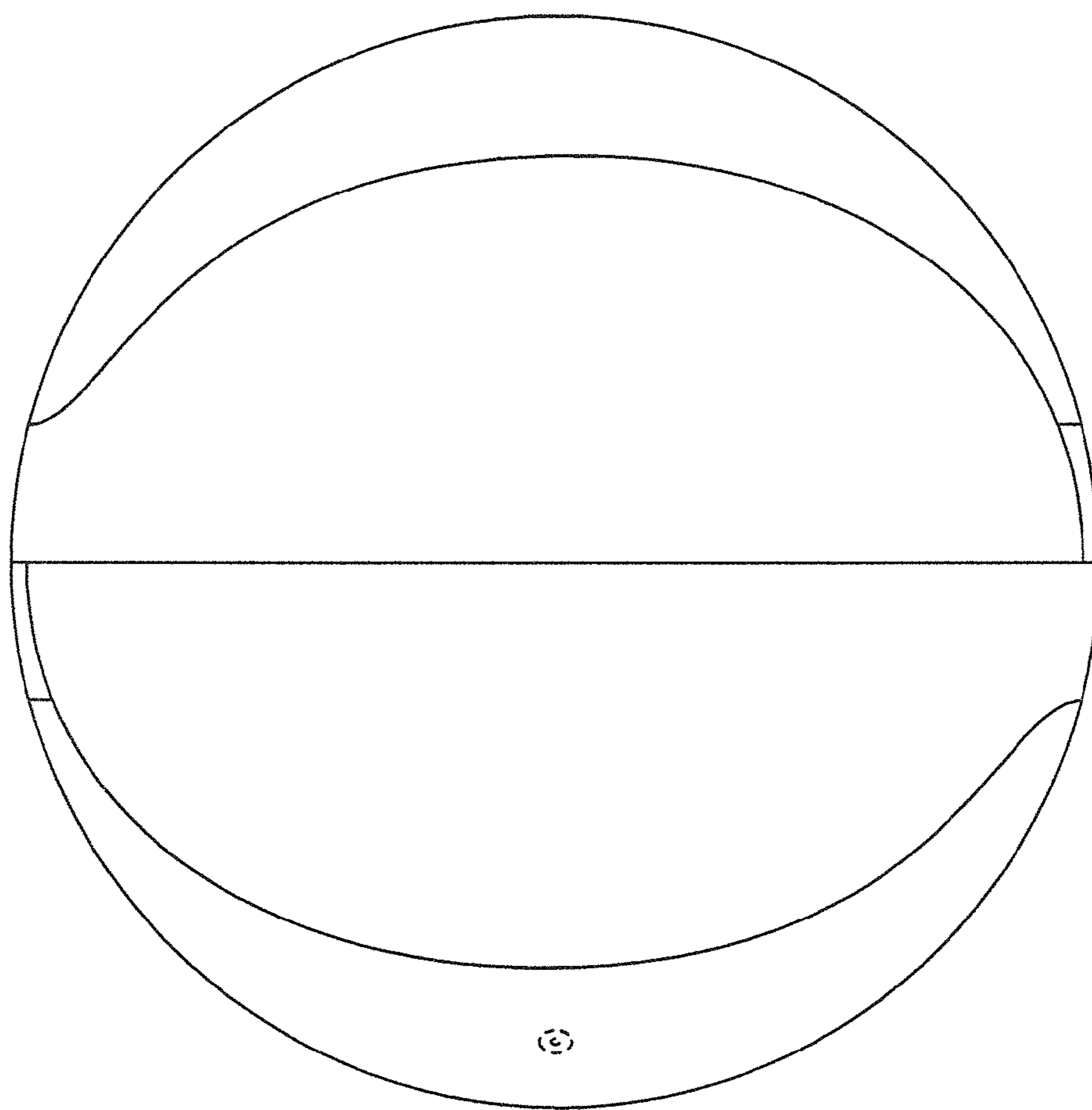


FIG. 3

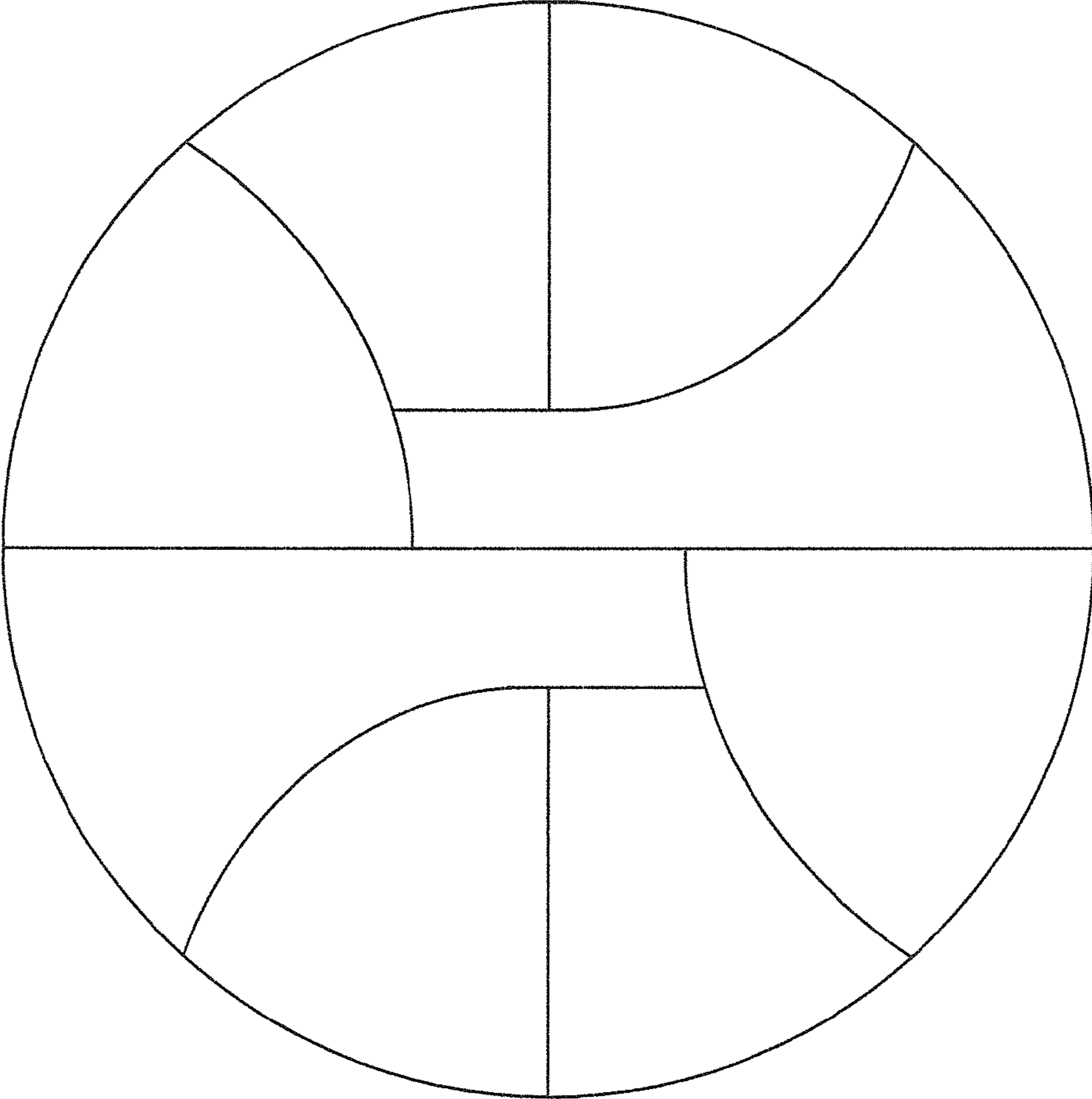


FIG. 4

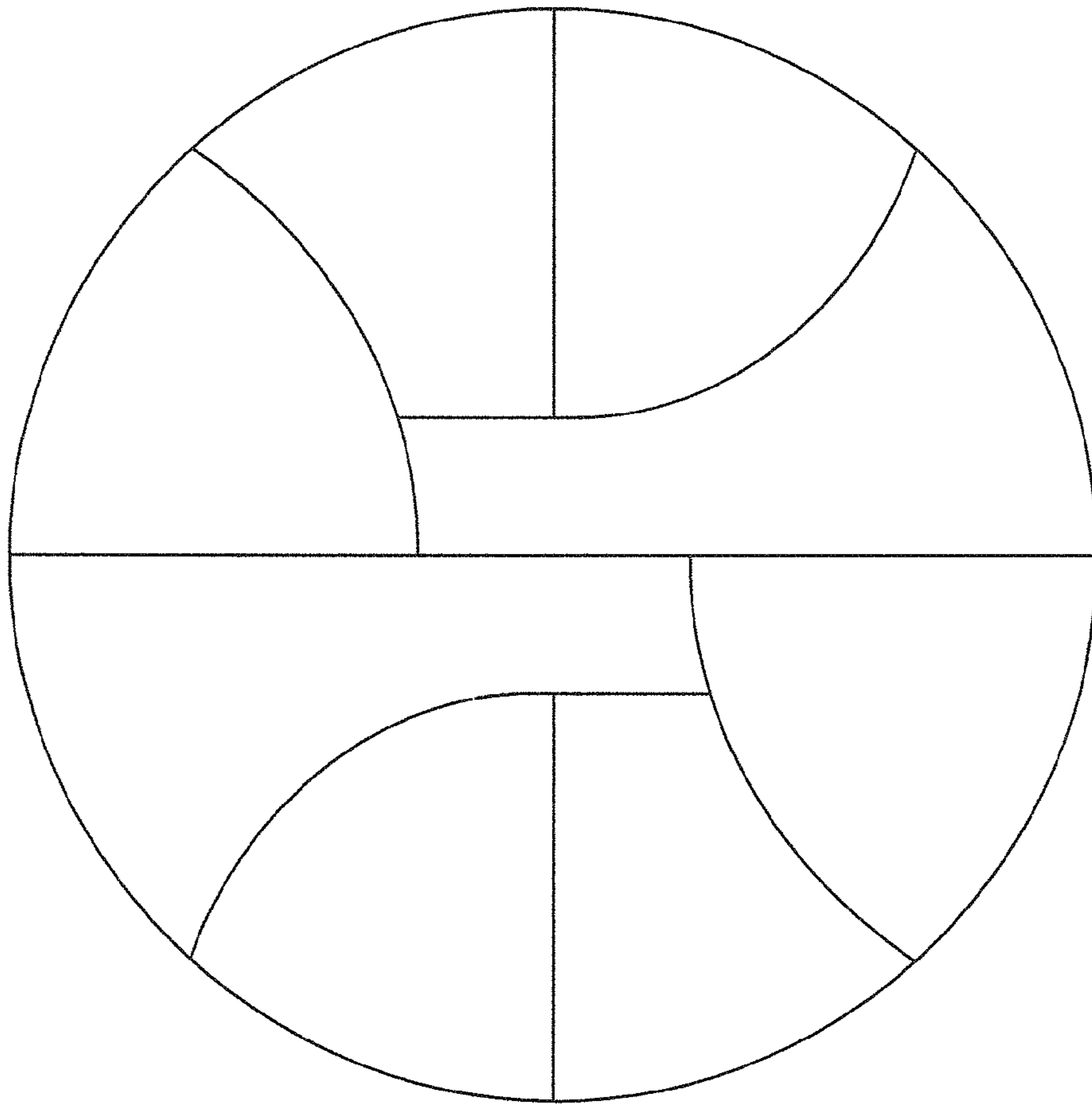


FIG. 5

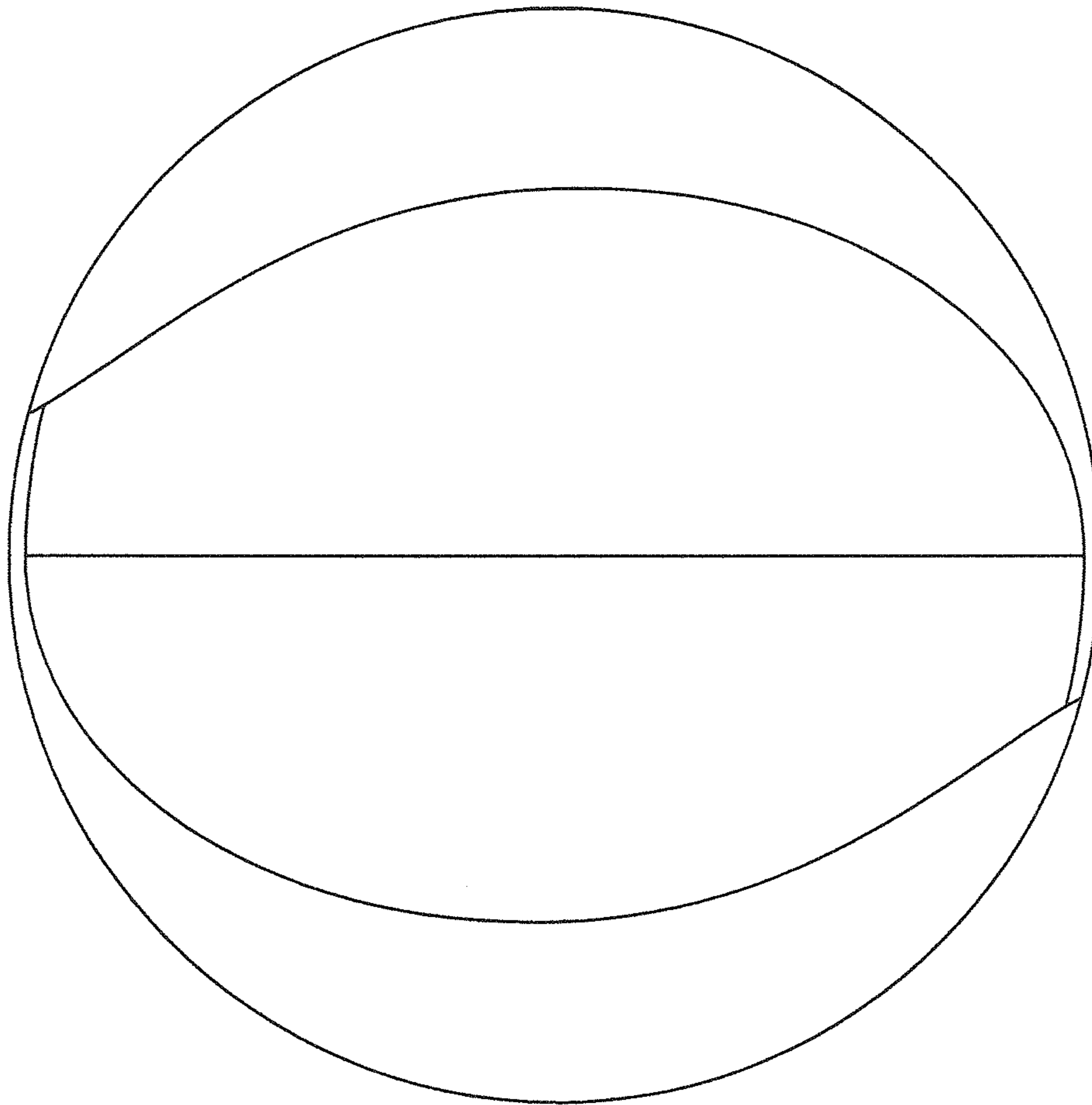


FIG. 6

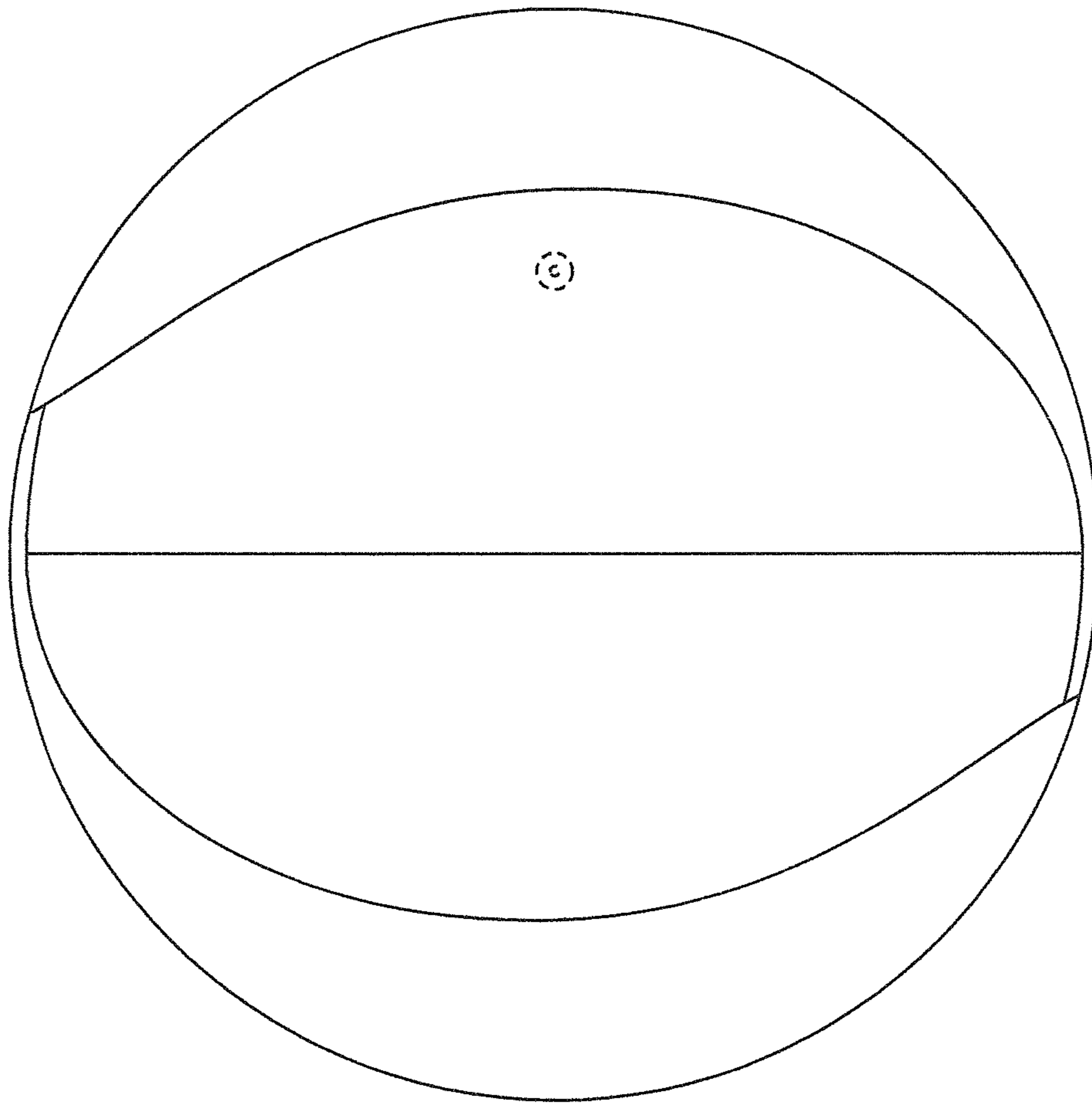


FIG. 7