



US00D703775S

(12) **United States Design Patent**
Adema

(10) **Patent No.:** **US D703,775 S**
(45) **Date of Patent:** **** Apr. 29, 2014**

(54) **MODULAR SPORT CENTER**

FOREIGN PATENT DOCUMENTS

(76) Inventor: **Wayne P Adema**, Sheboygan, WI (US)

GB 2060145 * 4/1997

(**) Term: **14 Years**

Primary Examiner — Catherine Tuttle

(21) Appl. No.: **29/431,071**

(74) *Attorney, Agent, or Firm* — Boyle Fredickson, S.C.

(22) Filed: **Sep. 3, 2012**

(57) **CLAIM**

I claim the ornamental design for a modular sport center, as shown and described.

Related U.S. Application Data

DESCRIPTION

(62) Division of application No. 13/587,715, filed on Aug. 16, 2012.

(51) **LOC (10) Cl.** **21-02**

(52) **U.S. Cl.**

USPC **D21/706**

(58) **Field of Classification Search**

USPC D21/300–303, 312–323, 349–368, 397, D21/662, 698, 699, 706, 780–800, 811, D21/814; D25/1, 12, 32, 35, 38.1, 39, 199; 472/92–94, 134–137; 473/415–504; 273/317–412; 256/1, 19, 24, 25, 27

See application file for complete search history.

A portion of the disclosure of this patent document contains material which is subject to (copyright or mask work) protection. The (copyright or mask work) owner has no objection to the facsimile reproduction by anyone of the patent document or the patent disclosure, as it appears in the Patent and Trademark Office patent file or records, but otherwise reserves all (copyright or mask work) rights whatsoever.

FIG. 1 is a top plan view of the modular sports center showing my new design;

FIG. 2 is a top perspective view thereof;

FIG. 3 is another top perspective view thereof, rotated approximately 90° from FIG. 2;

FIG. 4 is an enlargement of the design portion on the lower left of FIG. 1;

FIG. 5 is a perspective view of the design portion shown in FIG. 4;

FIG. 6 is an enlargement of the design portion on the upper left of FIG. 1;

FIG. 7 is a perspective view of the design portion shown in FIG. 6;

FIG. 8 is an enlargement of the design portion on the right of FIG. 1; and,

FIG. 9 is a perspective view of the design portion shown in FIG. 8.

The modular sport center of the claimed design is a trademark of PROCONTROL™.

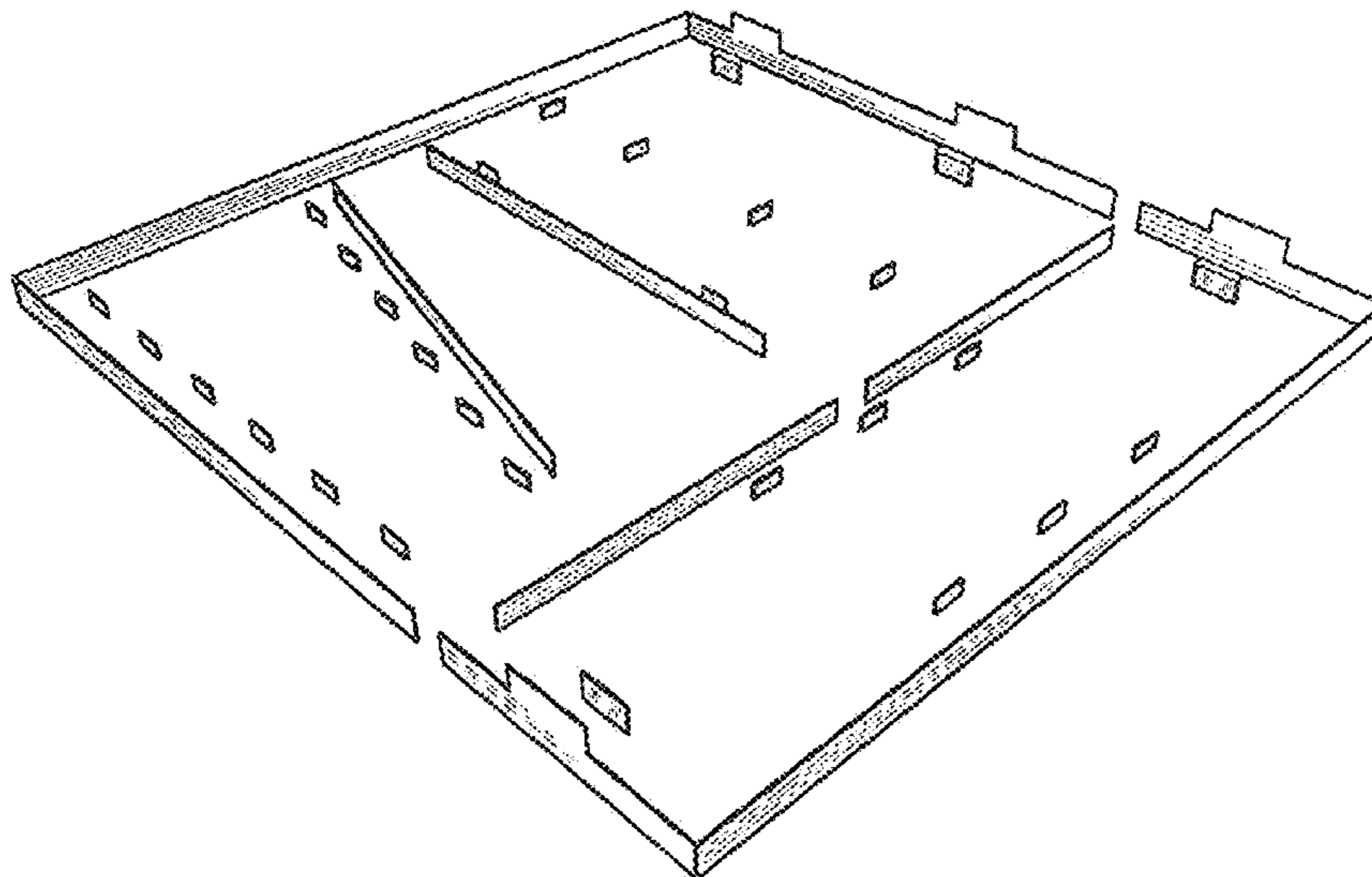
(56) **References Cited**

U.S. PATENT DOCUMENTS

430,030	A *	6/1890	Jones	273/113
D32,838	S *	6/1900	Kolp	D21/340
836,257	A *	11/1906	Holden	273/108.33
D142,770	S *	11/1945	Boeing	D21/317
D194,462	S	1/1963	Brody et al.	
3,768,809	A *	10/1973	Ciarfello	473/414
4,014,521	A *	3/1977	Berman	256/1
D249,728	S *	9/1978	Fried	D21/782
D350,989	S	9/1994	Lanier	
D376,653	S	12/1996	Clijsters	
D382,228	S	8/1997	Snook	
5,906,373	A *	5/1999	Sanders	273/349

(Continued)

1 Claim, 6 Drawing Sheets



(56)

References Cited

U.S. PATENT DOCUMENTS

6,296,580 B1 * 10/2001 Hamet 473/415
D480,775 S * 10/2003 Fischer D21/782
D590,029 S 4/2009 Manderbacka

D590,030 S 4/2009 Manderbacka
D593,177 S * 5/2009 Litterio D21/780
D652,149 S 1/2012 Ferrari
2006/0205538 A1 * 9/2006 McKey 473/415
2009/0215556 A1 * 8/2009 Lander et al. 473/490

* cited by examiner

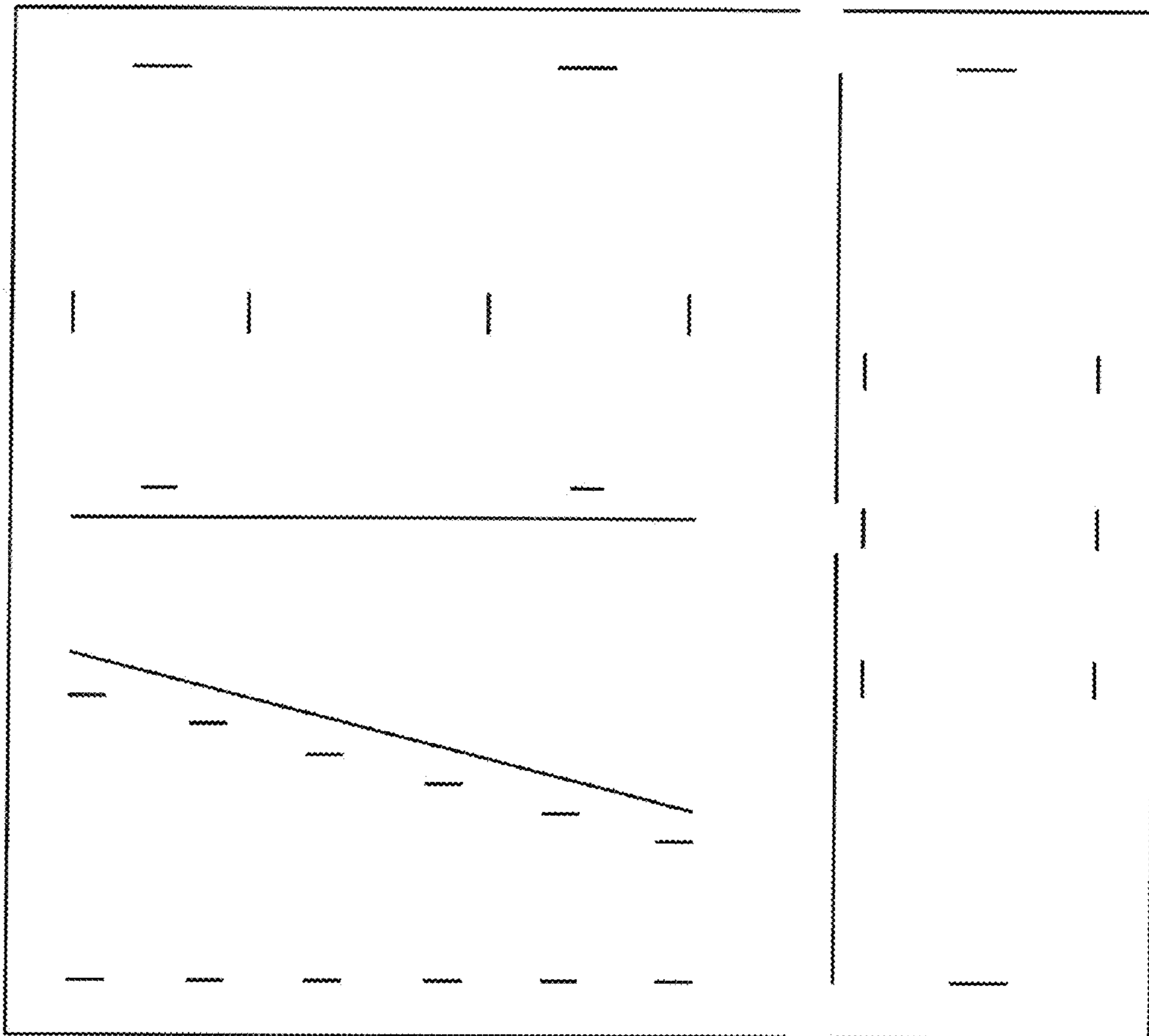


Fig. 1

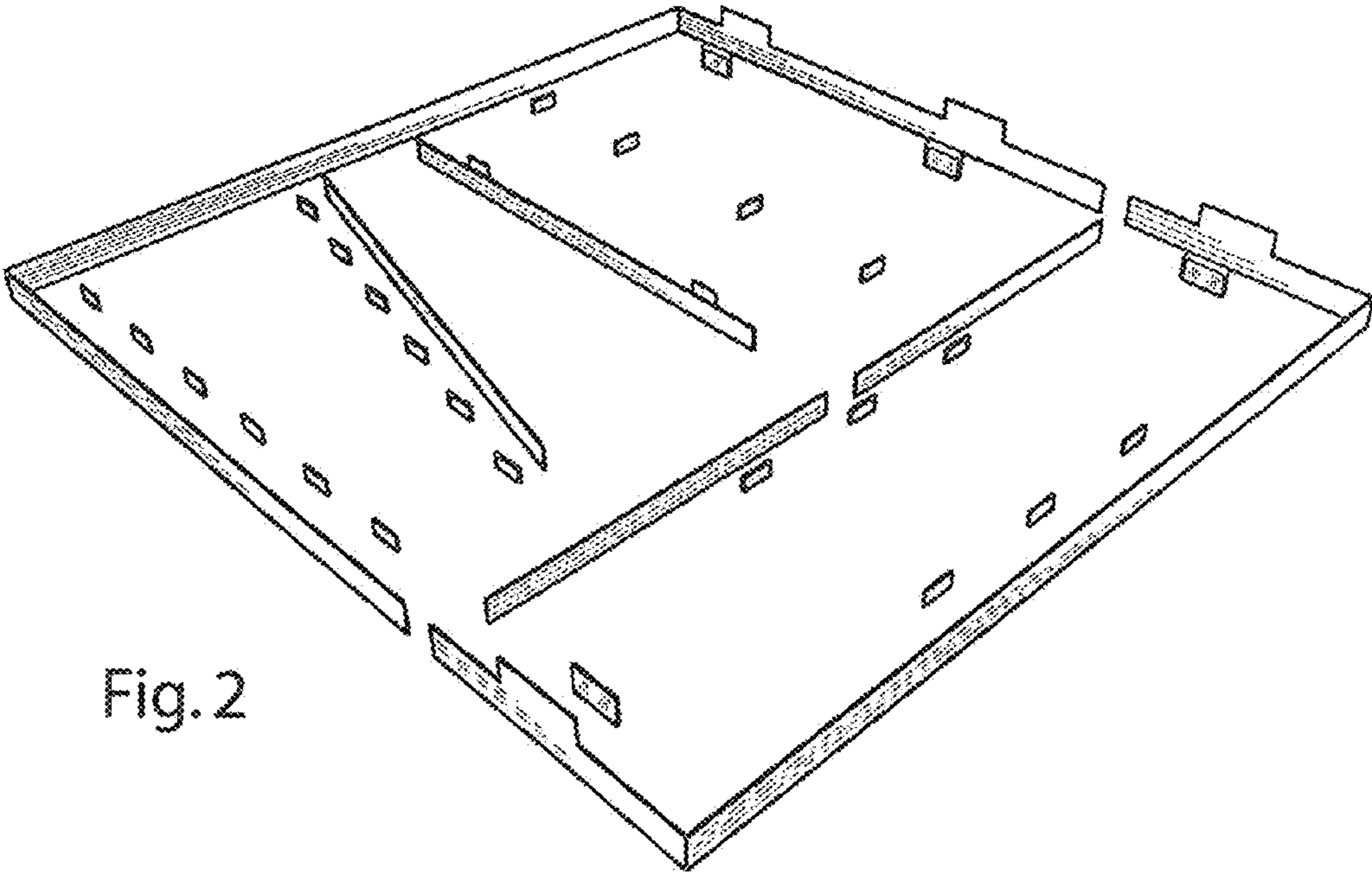


Fig. 2

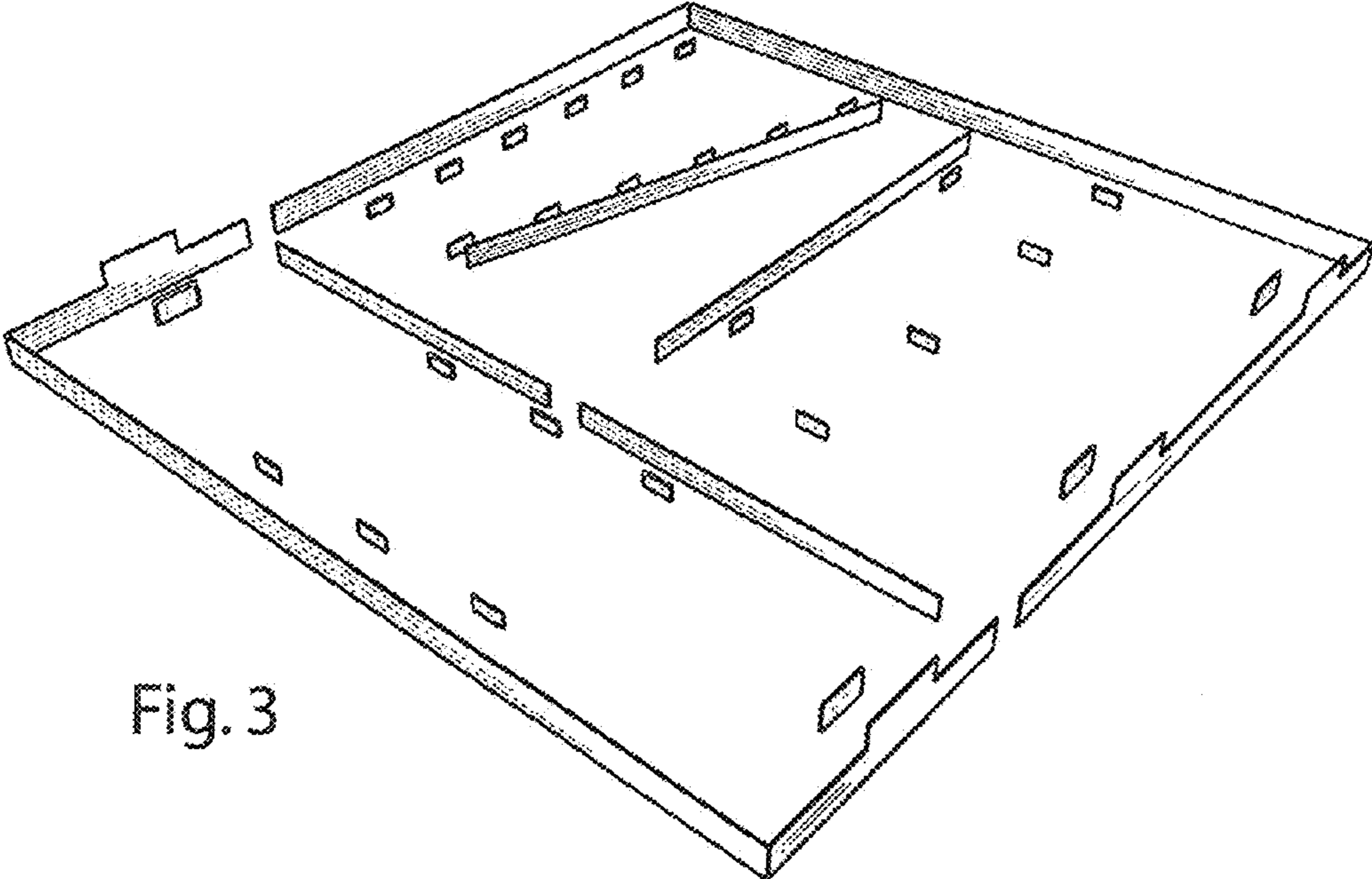


Fig. 3

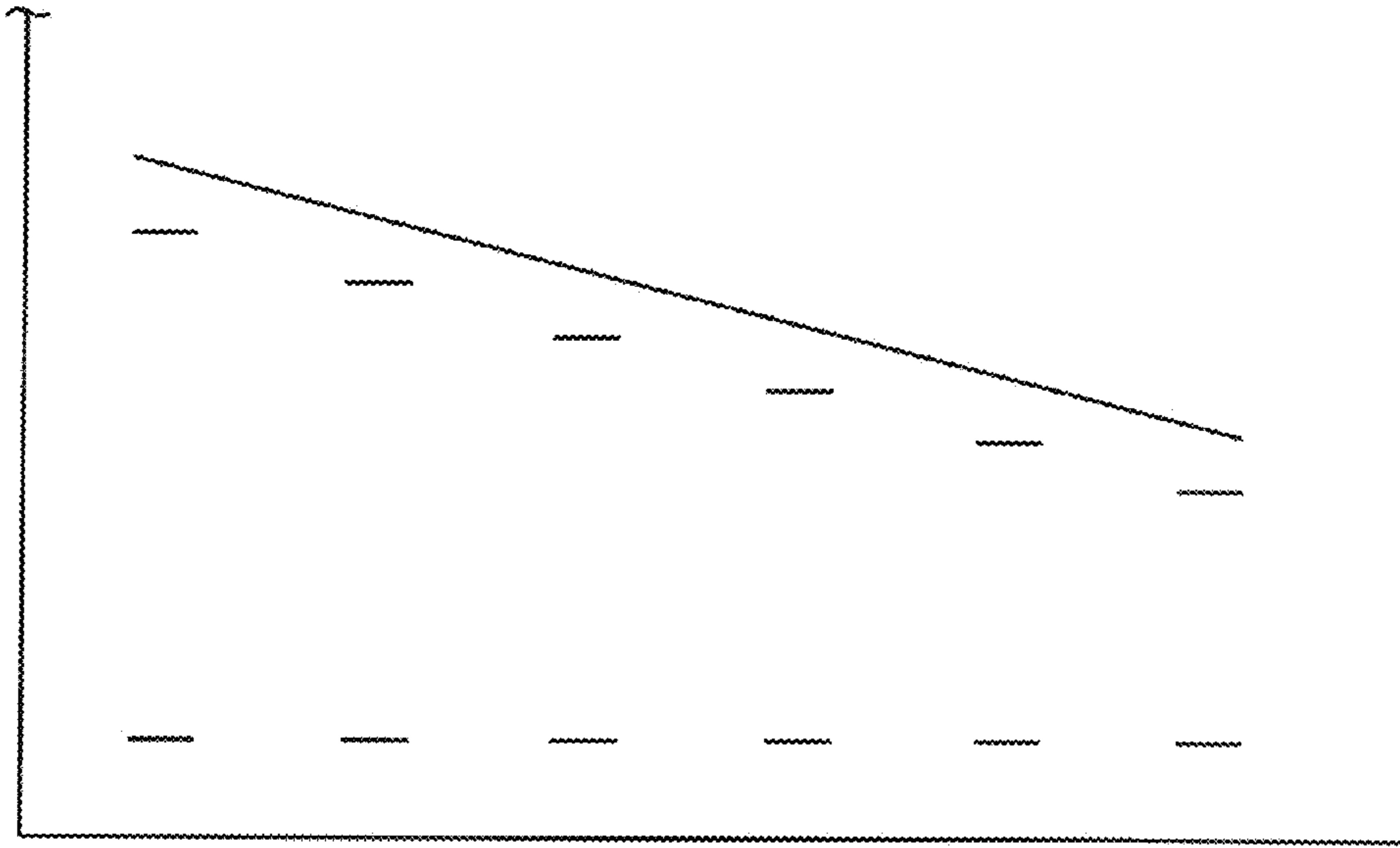


Fig. 4

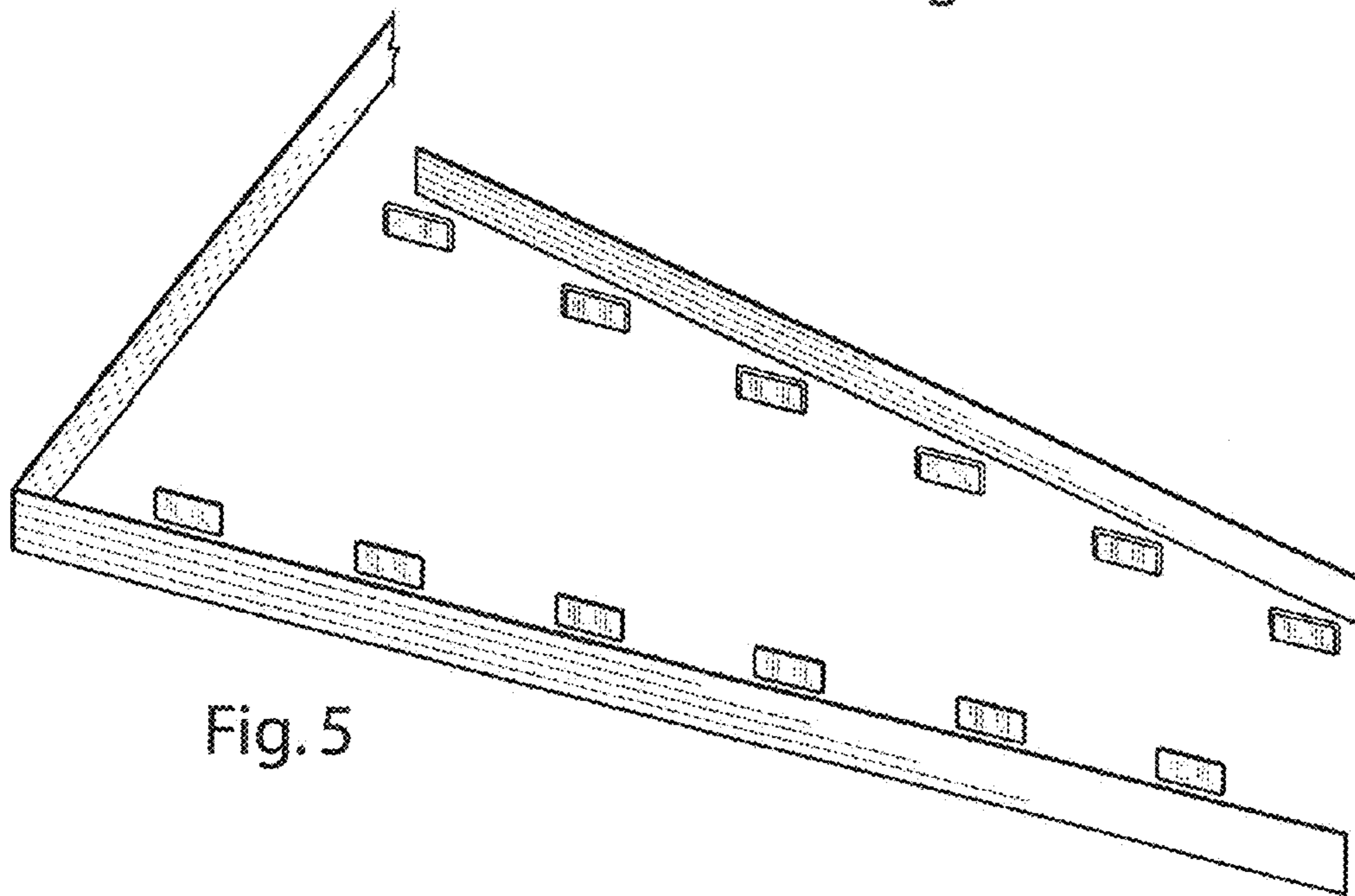


Fig. 5

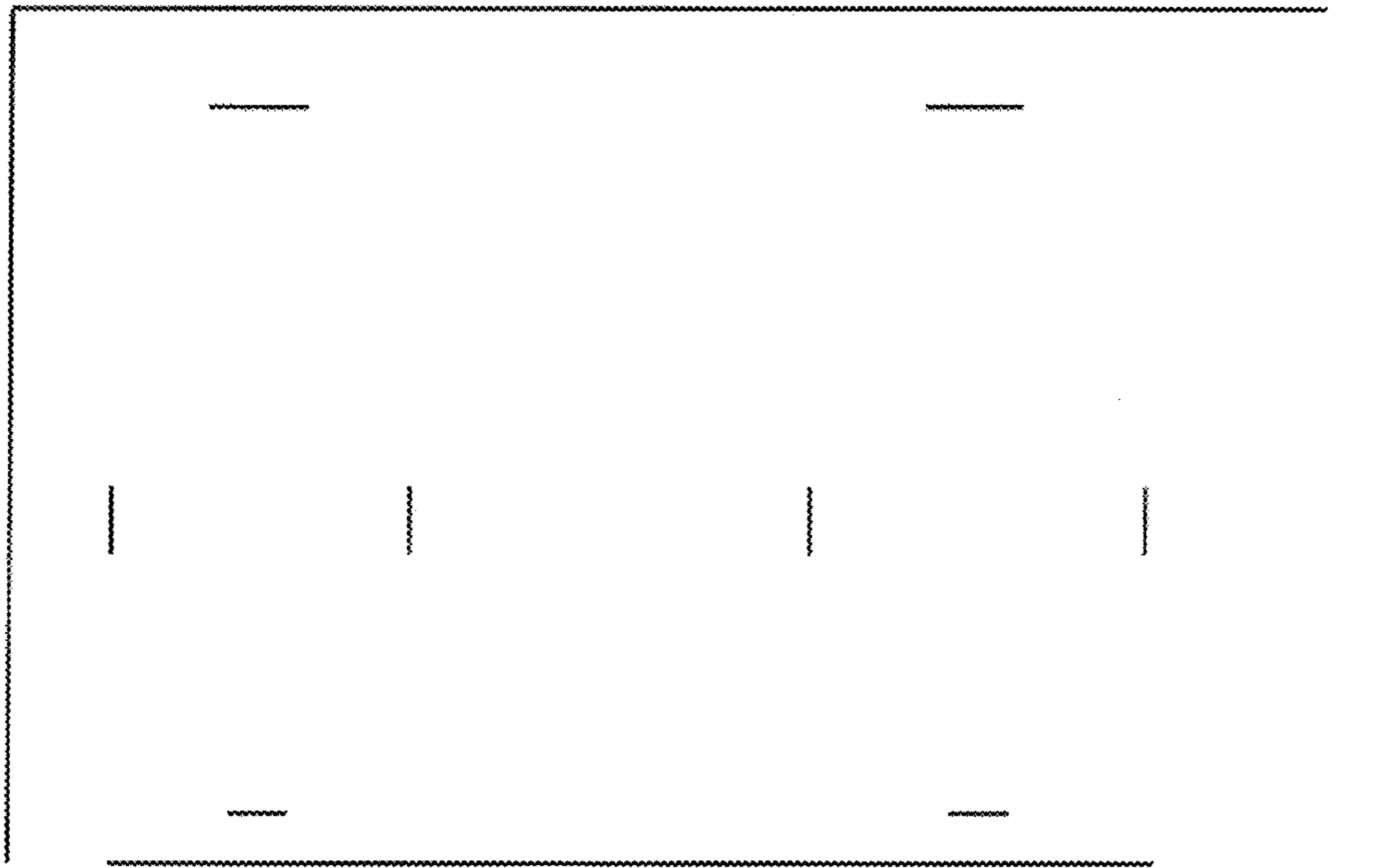


Fig. 6

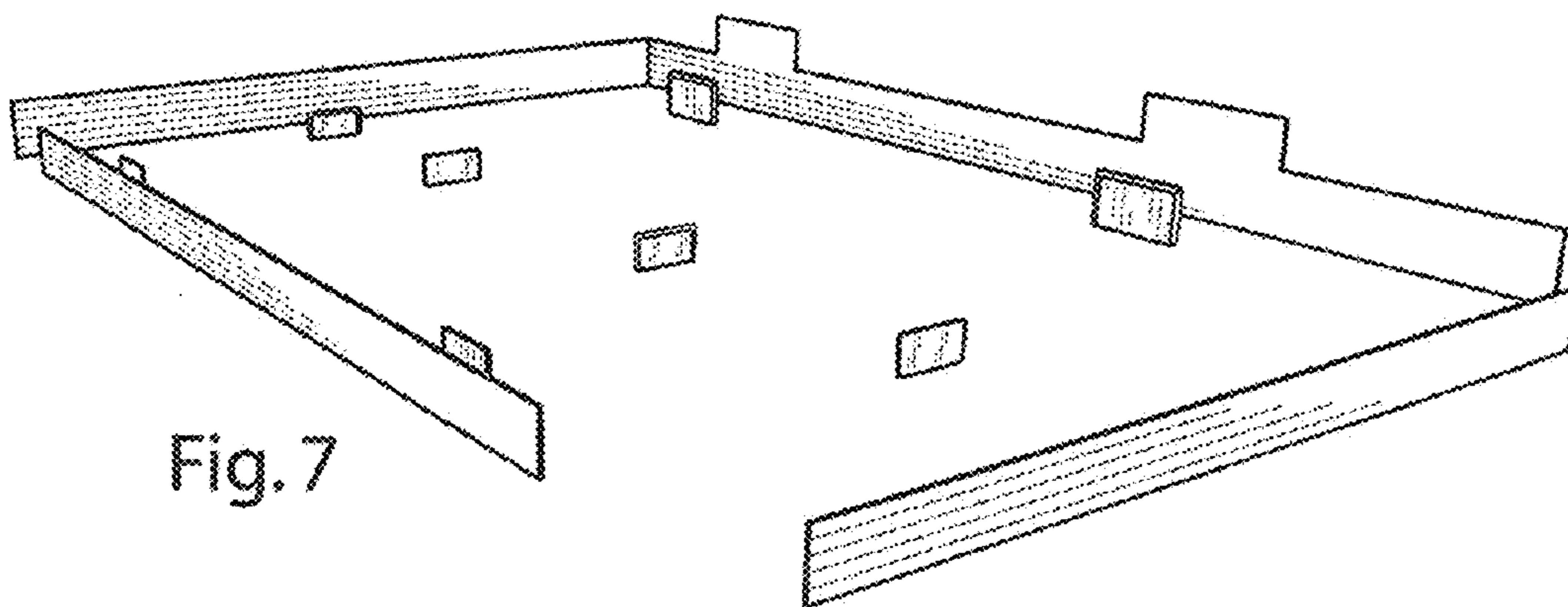


Fig. 7

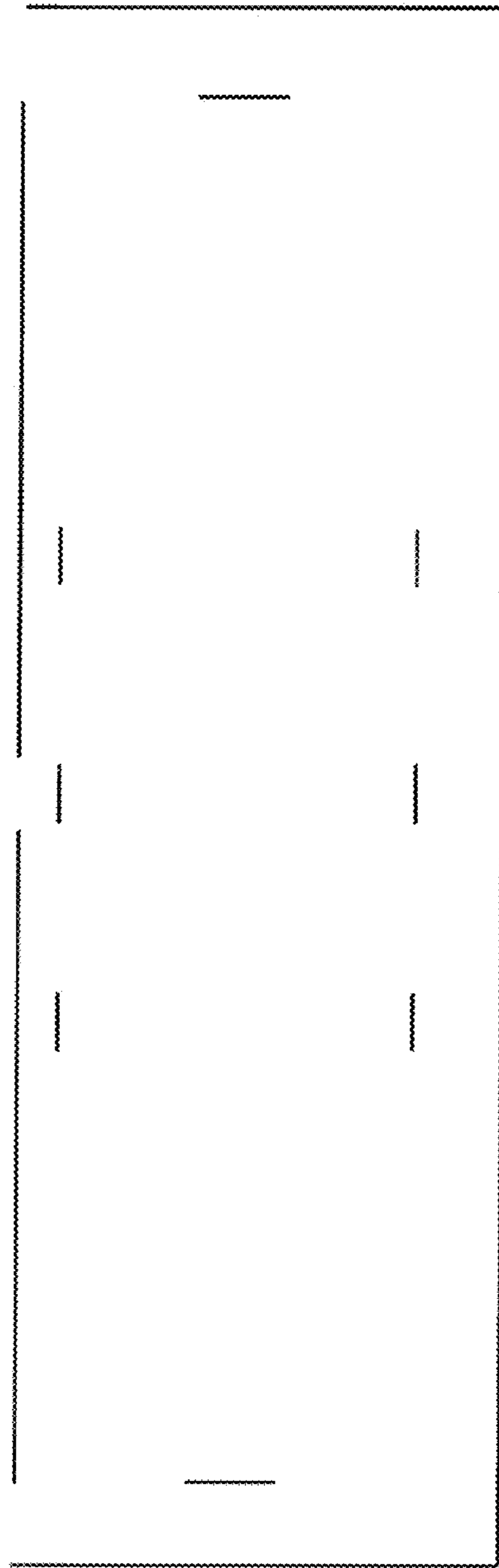


Fig. 8

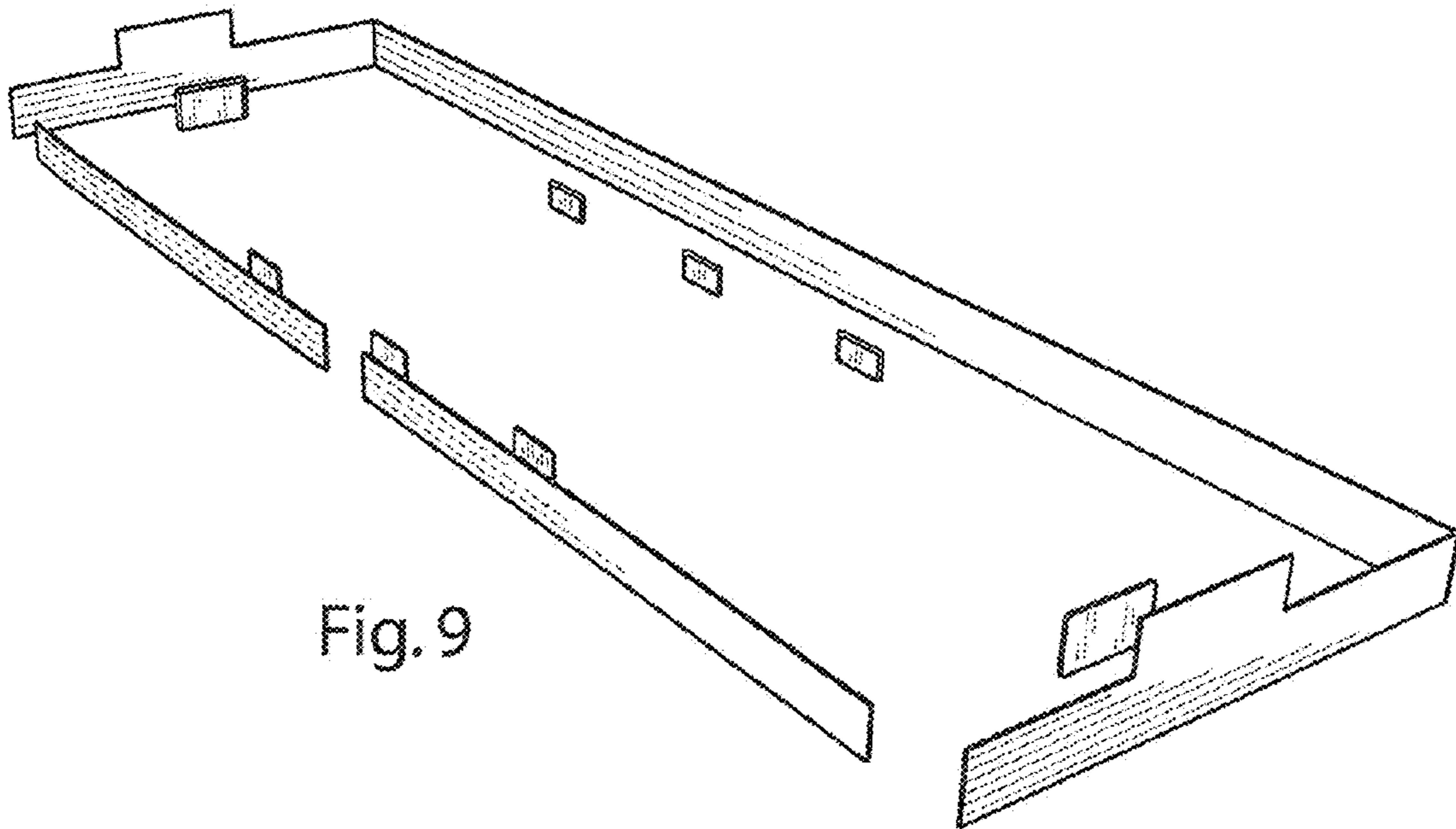


Fig. 9