



US00D703773S

(12) **United States Design Patent**  
**Henry**

(10) **Patent No.:** **US D703,773 S**  
(45) **Date of Patent:** **\*\* Apr. 29, 2014**

(54) **PUSH-UP BAR**

(71) Applicant: **Lucas I. Henry**, Laurelton, NY (US)

(72) Inventor: **Lucas I. Henry**, Laurelton, NY (US)

(\*\*) Term: **14 Years**

(21) Appl. No.: **29/444,069**

(22) Filed: **Jan. 25, 2013**

(51) **LOC (10) Cl.** ..... **21-02**

(52) **U.S. Cl.**  
USPC ..... **D21/691**

(58) **Field of Classification Search**  
USPC ..... D21/662, 686, 687, 688, 690, 691;  
482/91, 96, 140, 141, 148  
See application file for complete search history.

(56) **References Cited**

**U.S. PATENT DOCUMENTS**

2,666,640	A *	1/1954	Jennings, Sr.	482/141
4,327,907	A *	5/1982	DeVries	482/141
D339,836	S *	9/1993	Wallisch	D21/692
6,048,294	A *	4/2000	Formanek	482/142
6,932,750	B1 *	8/2005	Dorner	482/142

D525,668	S *	7/2006	Payne	D21/691
D593,169	S *	5/2009	Storch	D21/686
8,088,052	B1 *	1/2012	Sprague	482/141

\* cited by examiner

*Primary Examiner* — Phillip S Hyder

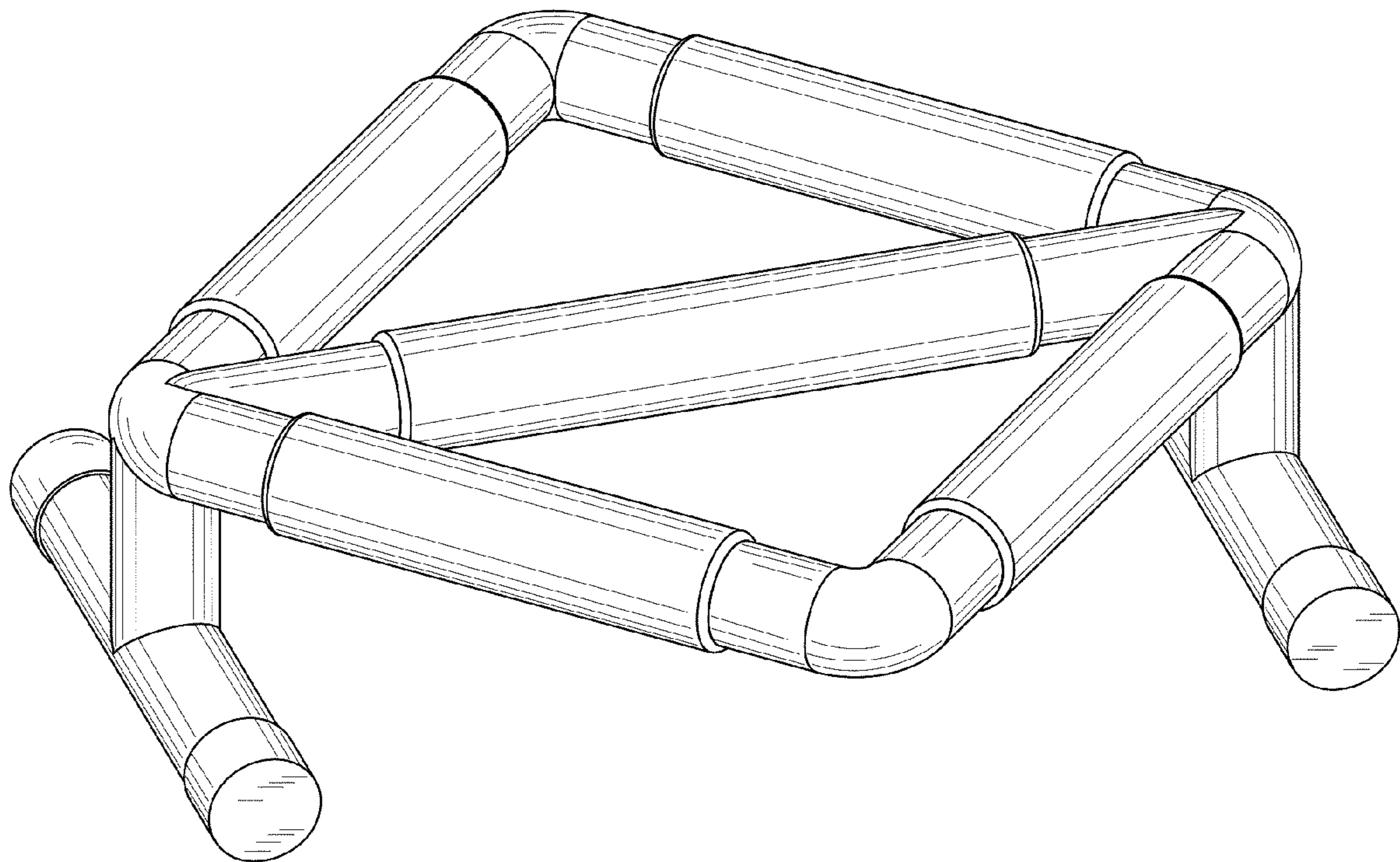
(57) **CLAIM**

The ornamental design for a push-up bar, as shown and described.

**DESCRIPTION**

FIG. 1 is a perspective view of a push-up bar;  
FIG. 2 is a front elevational view thereof;  
FIG. 3 is a rear elevational view thereof;  
FIG. 4 is a right-side elevational view thereof;  
FIG. 5 is a left-side elevational view thereof;  
FIG. 6 is a top plan view thereof;  
FIG. 7 is a bottom plan view thereof; and,  
FIG. 8 is a perspective view thereof wherein a person is in position to perform a push-up using a particular hand grip. The broken line showing of a person in FIG. 8 is included for the purpose of showing environmental structure and forms no part of the claimed design.

**1 Claim, 8 Drawing Sheets**



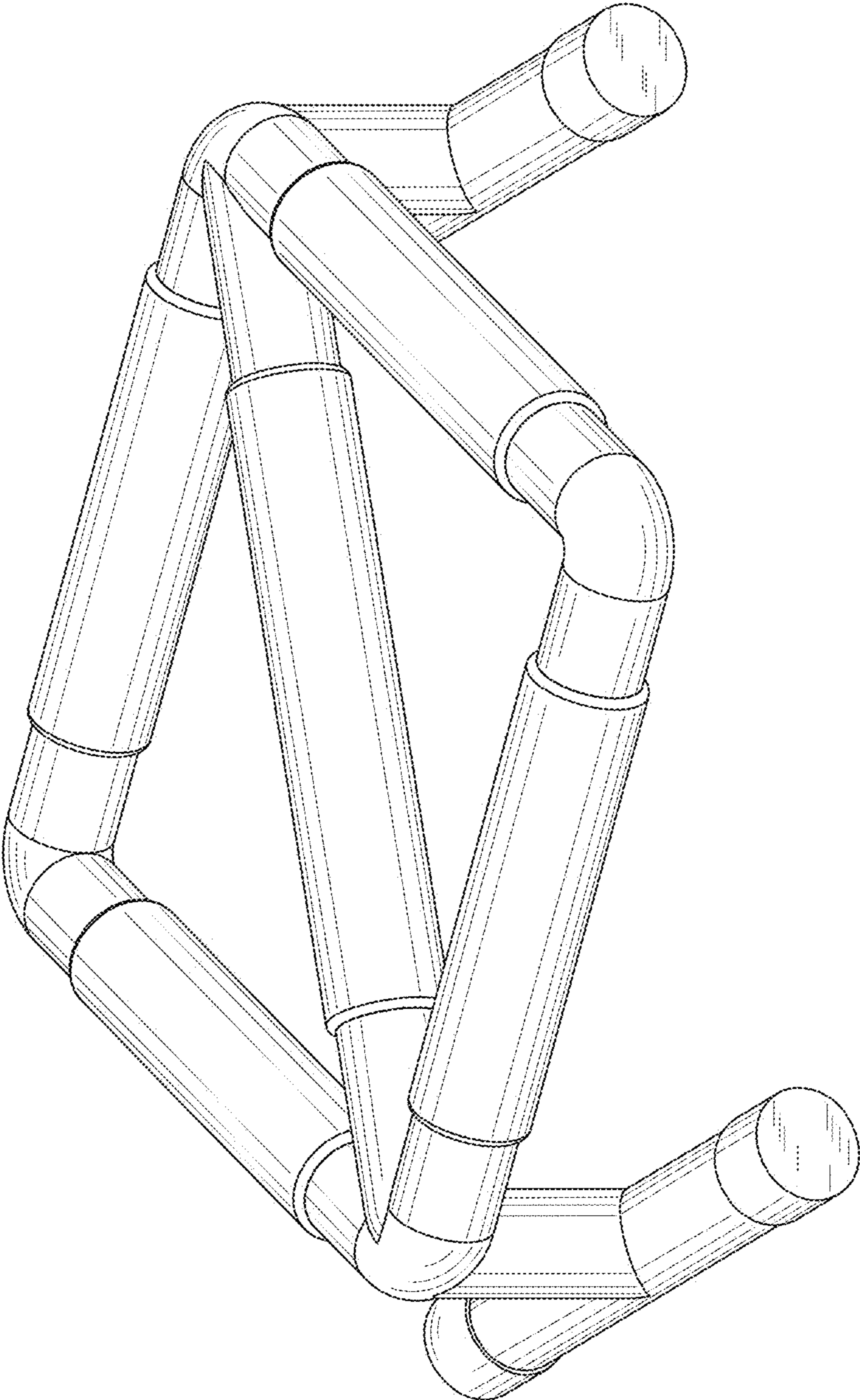


FIG. 1

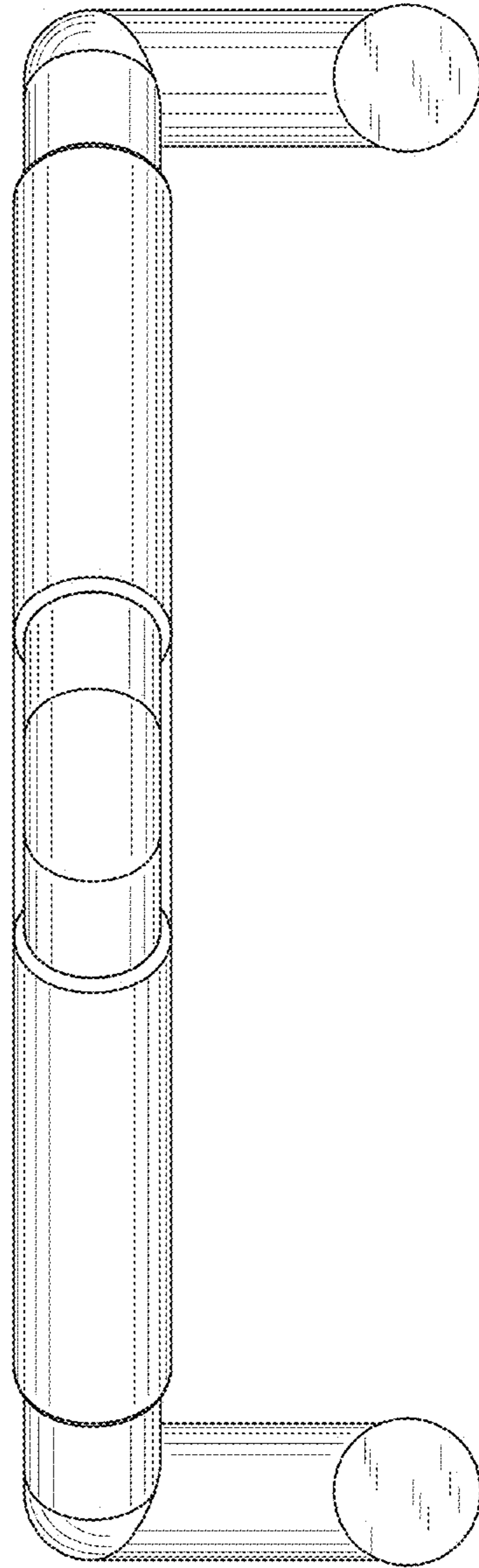


FIG. 2

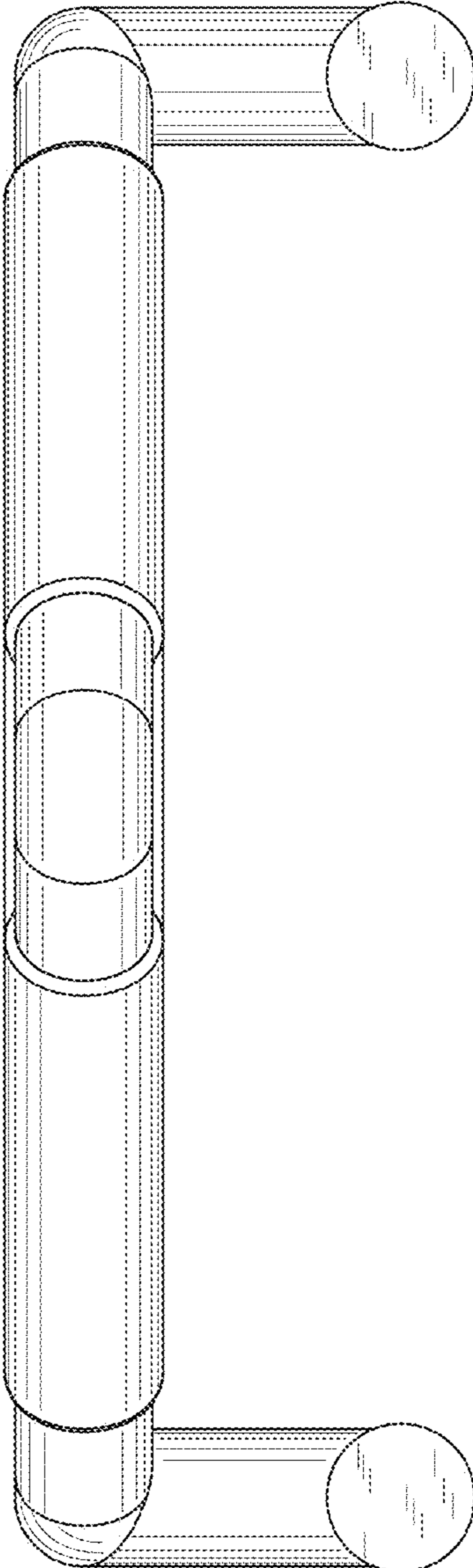


FIG. 3

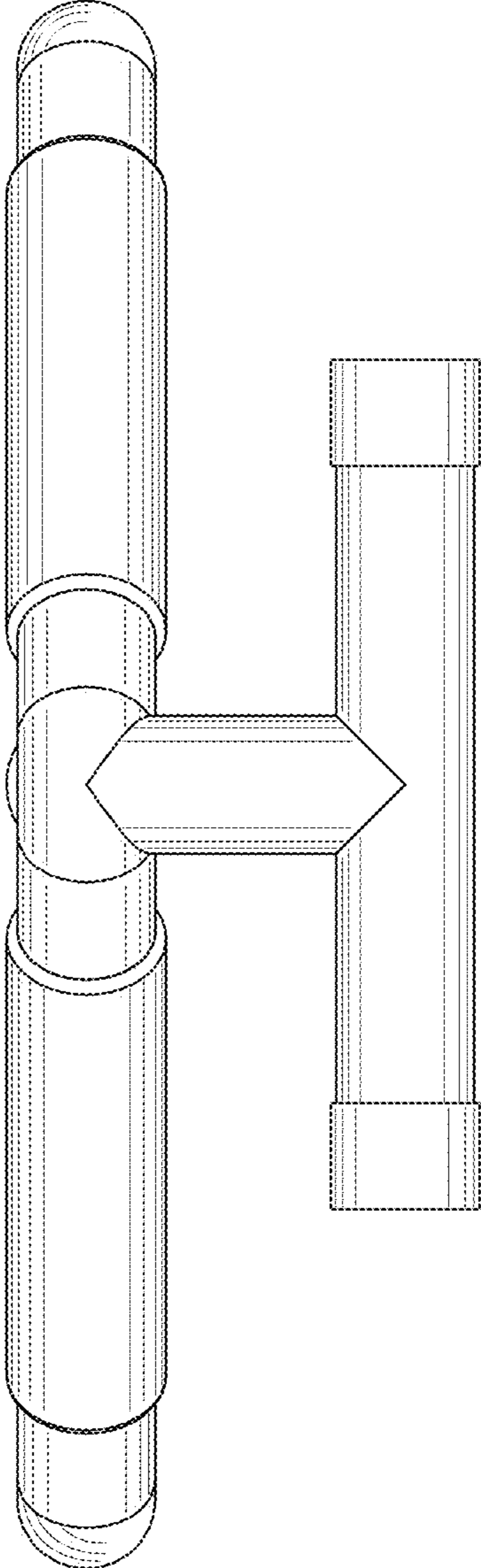


FIG. 4

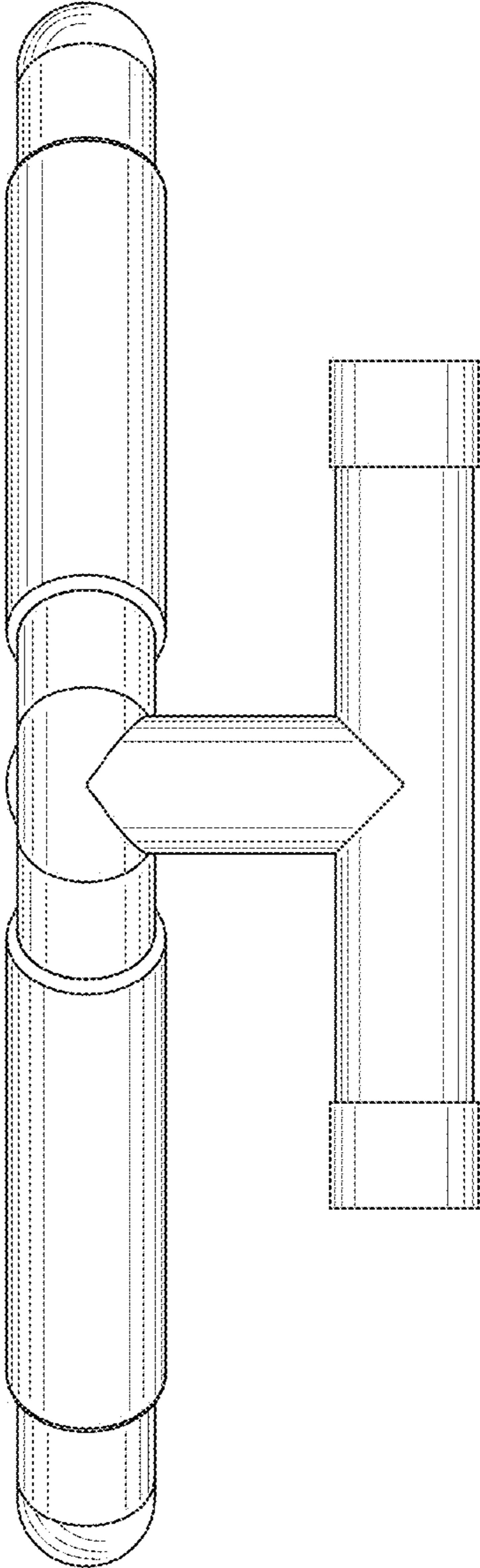


FIG. 5

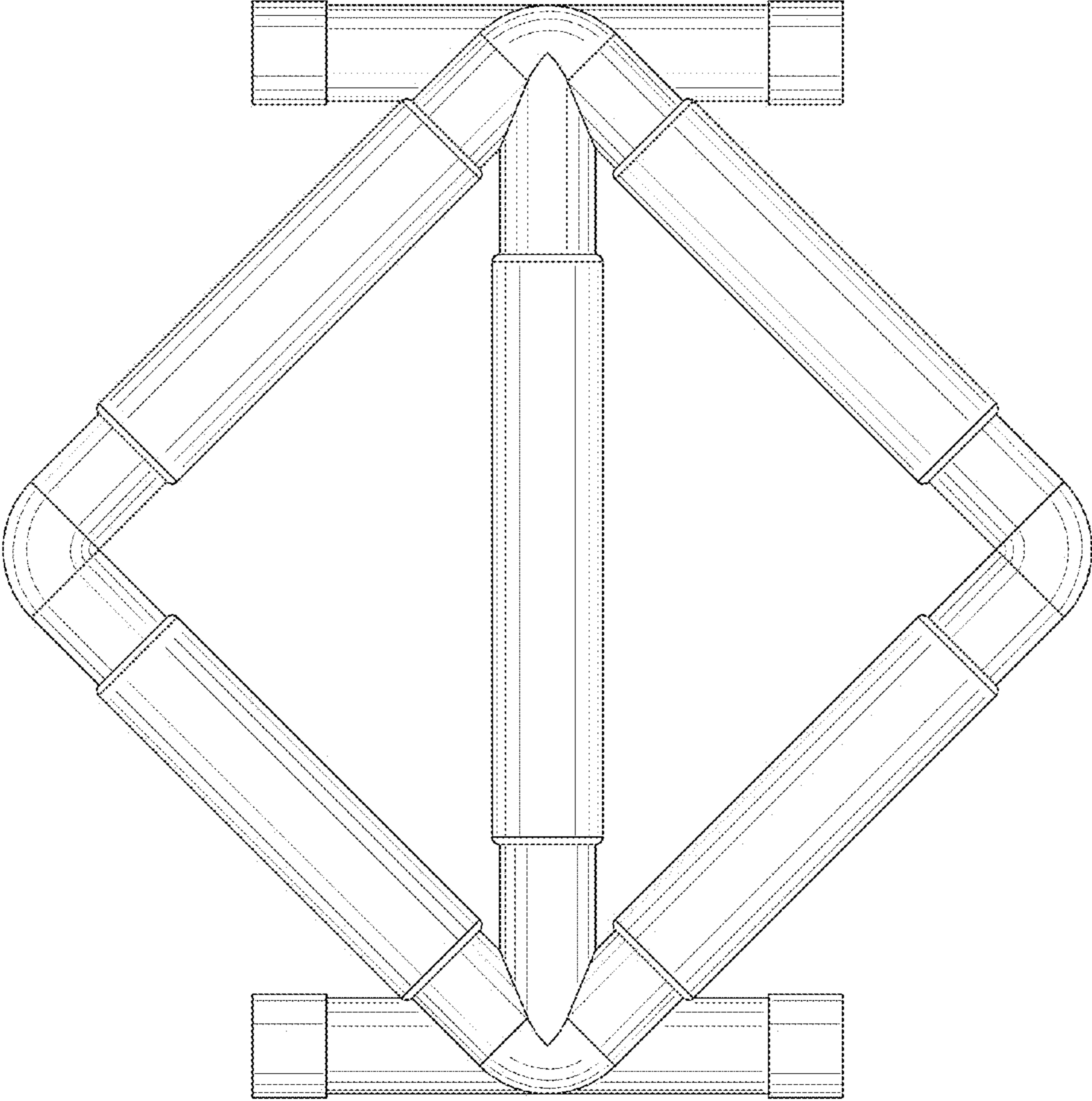


FIG. 6

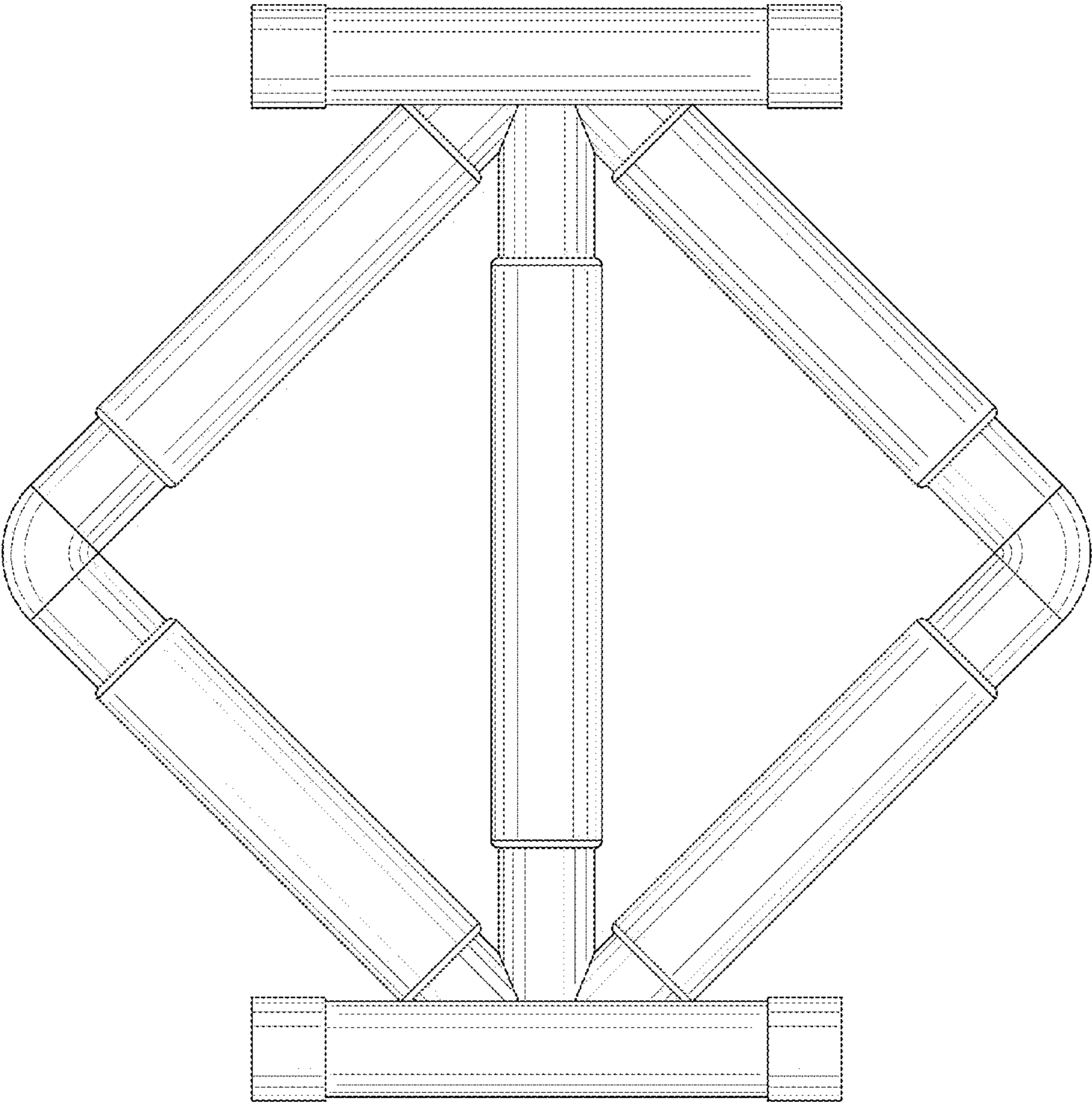


FIG. 7



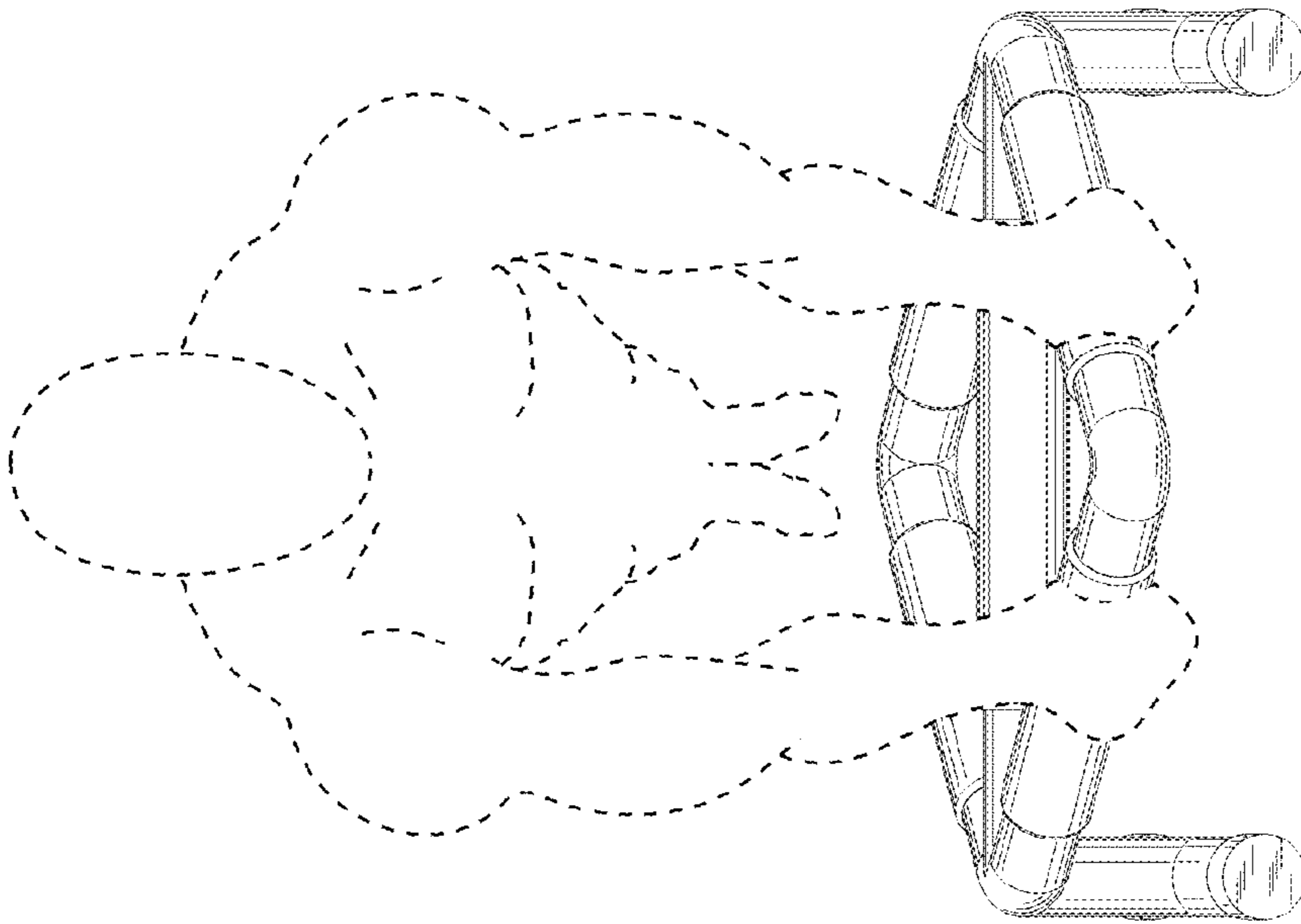


FIG. 8