



US00D703772S

(12) **United States Design Patent**  
**Sterios**

(10) **Patent No.:** **US D703,772 S**  
(45) **Date of Patent:** **\*\* Apr. 29, 2014**

(54) **MULTI-CONTOURED YOGA SUPPORT**

(71) Applicant: **Manduka**, El Segundo, CA (US)

(72) Inventor: **Peter D. Sterios**, San Luis Obispo, CA (US)

(73) Assignee: **Manduka**, El Segundo, CA (US)

(\*\*) Term: **14 Years**

(21) Appl. No.: **29/464,818**

(22) Filed: **Aug. 21, 2013**

**Related U.S. Application Data**

(62) Division of application No. 29/408,631, filed on Dec. 14, 2011, now Pat. No. Des. 691,222.

(51) **LOC (10) Cl.** ..... **21-02**

(52) **U.S. Cl.**  
USPC ..... **D21/688**

(58) **Field of Classification Search**  
USPC ..... D21/662, 686, 688, 694; D24/190, 191;  
D8/90; D25/113–116; D6/349, 600;  
D30/160; 5/636, 633; 482/23, 139,  
482/140, 142, 148  
See application file for complete search history.

(56) **References Cited**

**U.S. PATENT DOCUMENTS**

D273,915 S \* 5/1984 Pike ..... D6/349  
D311,295 S \* 10/1990 Roberts ..... D6/601  
5,729,851 A \* 3/1998 Hollander ..... 5/636

D439,447 S \* 3/2001 Diekman ..... D6/486  
D482,558 S \* 11/2003 Kancilja et al. .... D6/601  
D523,494 S \* 6/2006 Van Straaten ..... D21/686  
D523,913 S \* 6/2006 Van Straaten ..... D21/686  
D562,600 S \* 2/2008 Diekman ..... D6/486  
7,789,805 B2 \* 9/2010 Lim ..... 482/35  
7,901,328 B1 \* 3/2011 Kessler et al. .... 482/35  
D693,141 S \* 11/2013 Wootten, Jr. .... D6/601  
2009/0062093 A1 \* 3/2009 Clark ..... 482/148

\* cited by examiner

*Primary Examiner* — Phillip S Hyder

(74) *Attorney, Agent, or Firm* — Law Office of Andrew B. Chen

(57) **CLAIM**

The ornamental design for a multi-contoured yoga support, as shown and described.

**DESCRIPTION**

FIG. 1 is a perspective view of a multi-contoured yoga support;  
FIG. 2 is a front side view of the multi-contoured yoga support of FIG. 1;  
FIG. 3 is a back side view of the multi-contoured yoga support of FIG. 1;  
FIG. 4 is a left side view of the multi-contoured yoga support taken from FIG. 1;  
FIG. 5 is a right side view of the multi-contoured yoga support taken from FIG. 1;  
FIG. 6 is a top view of the multi-contoured yoga support of FIG. 1; and,  
FIG. 7 is a bottom view of the multi-contoured yoga support of FIG. 1.

**1 Claim, 2 Drawing Sheets**

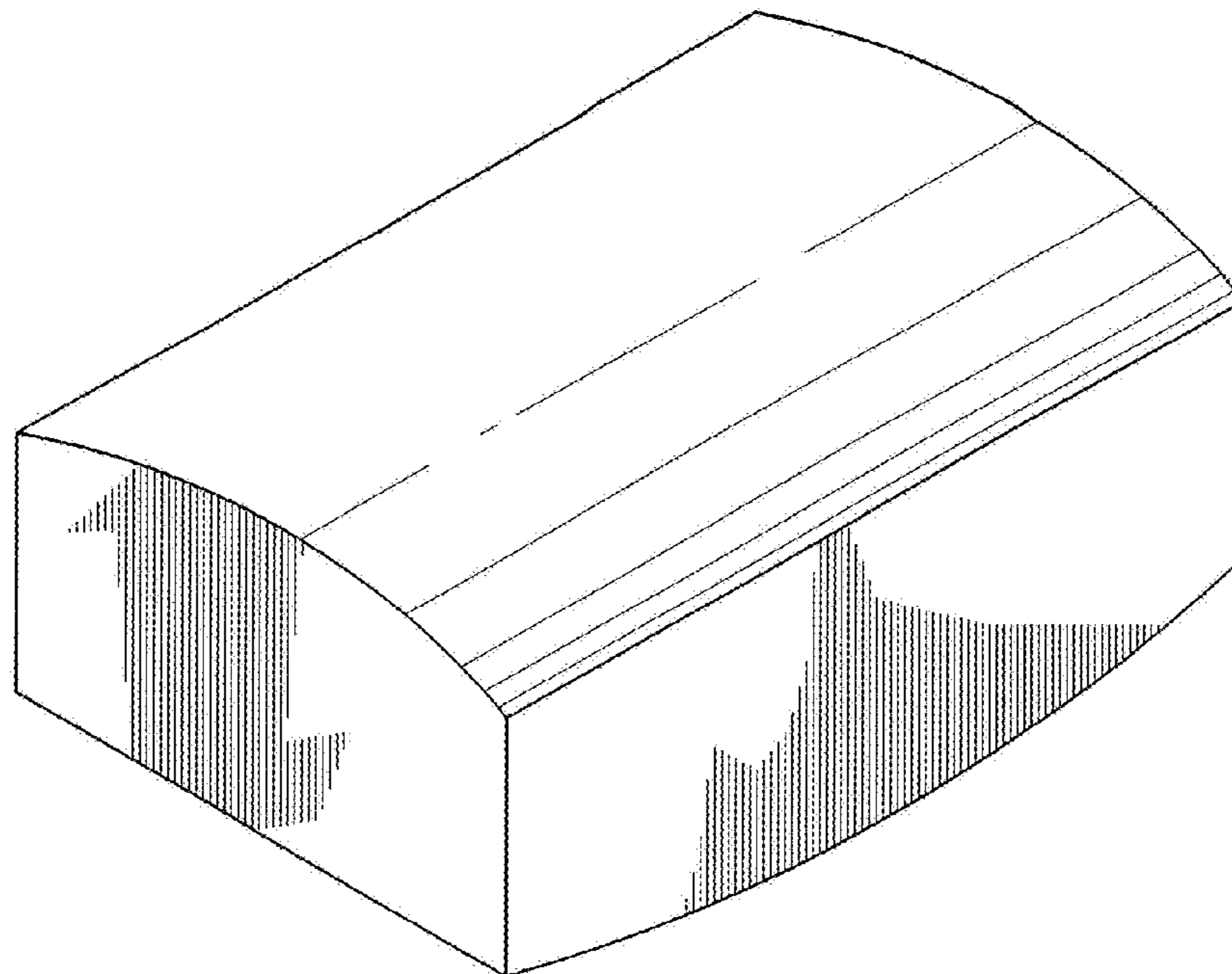


FIG. 1

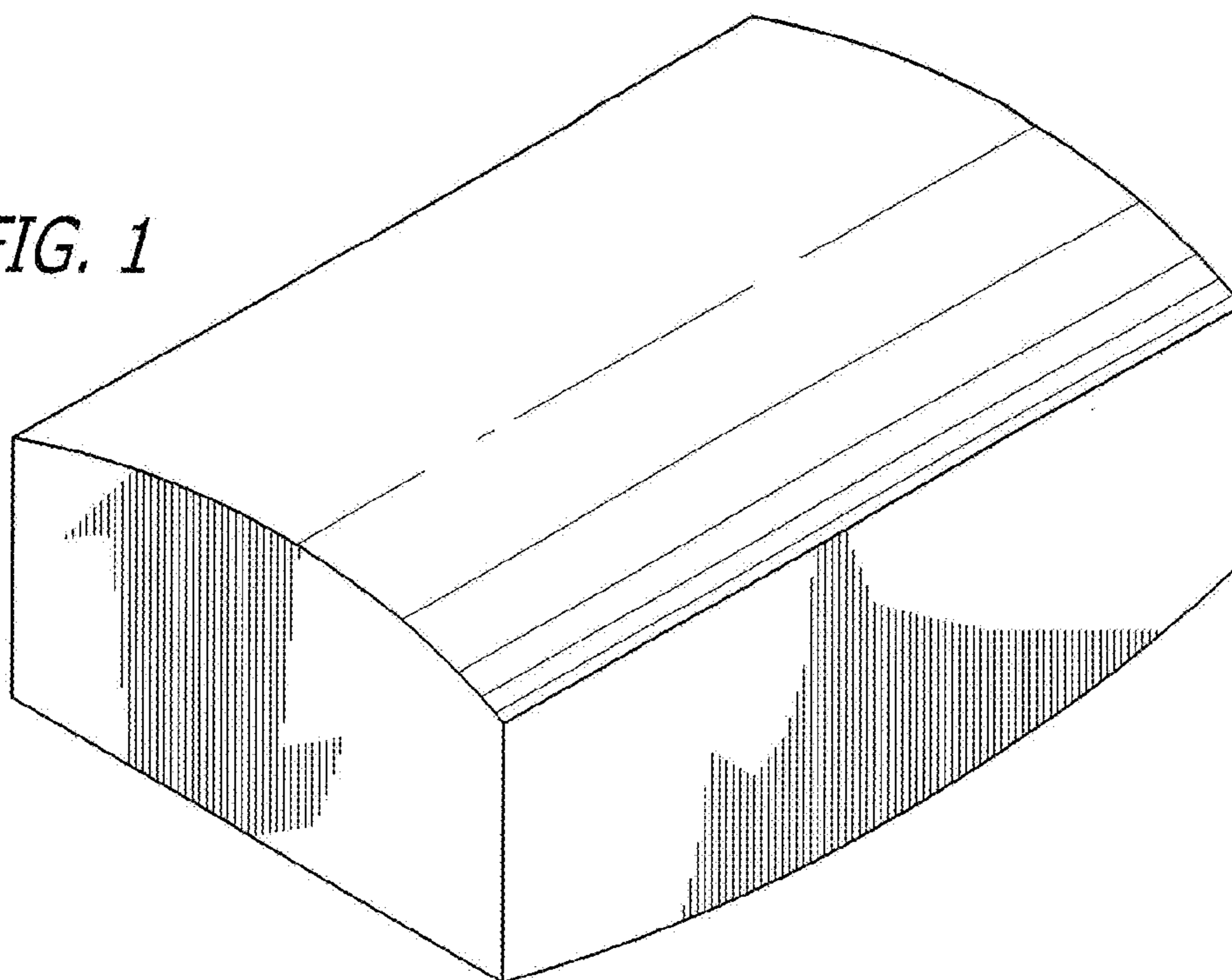


FIG. 2

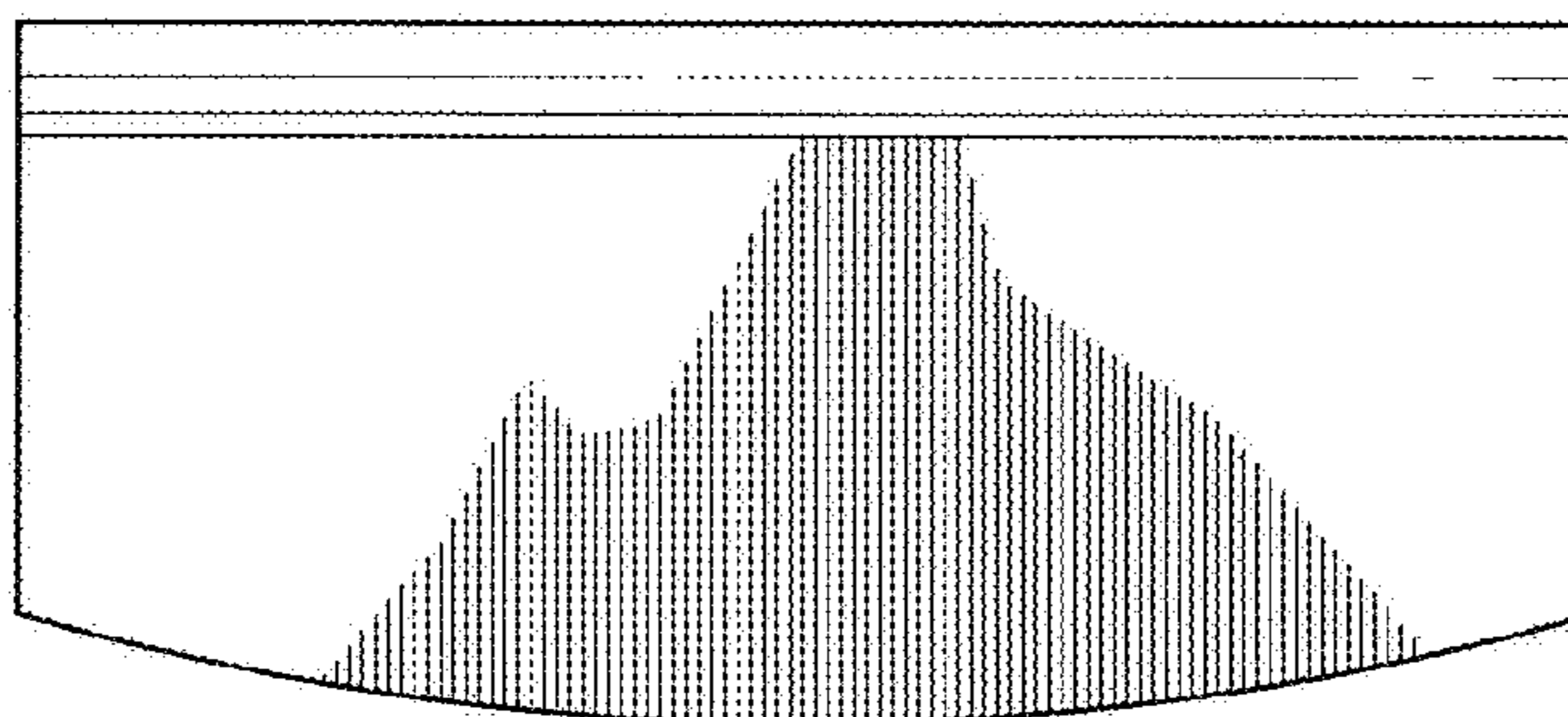
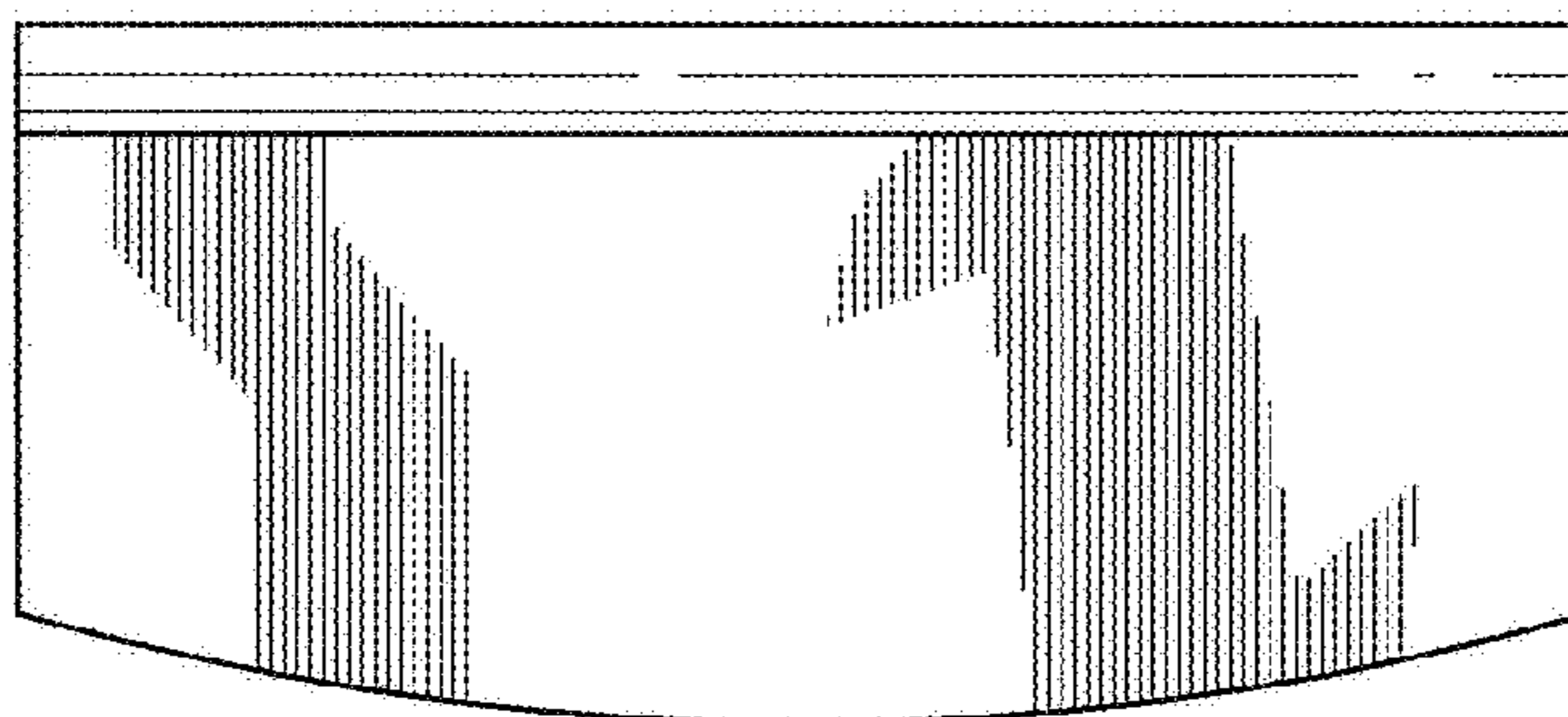


FIG. 3



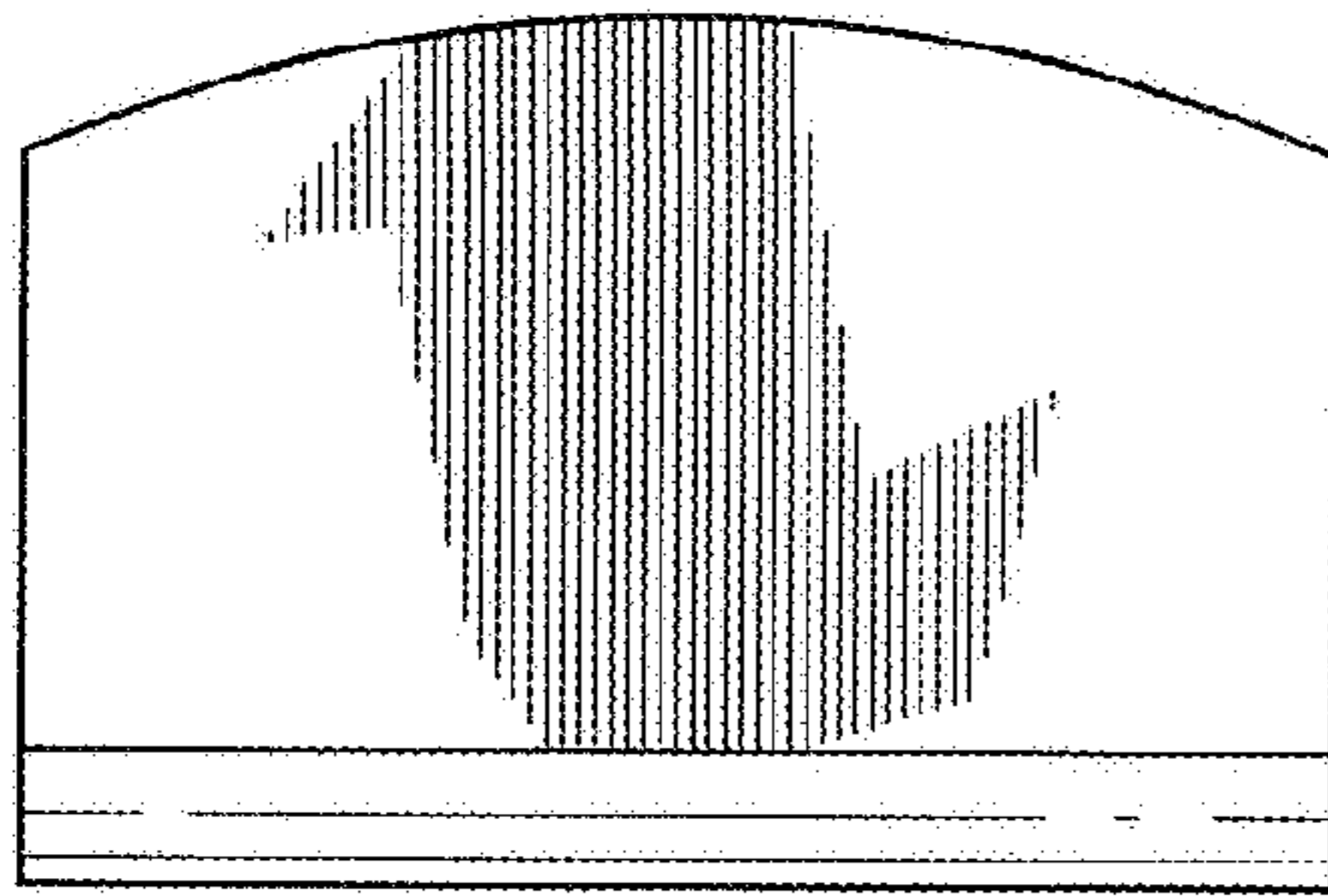


FIG. 4

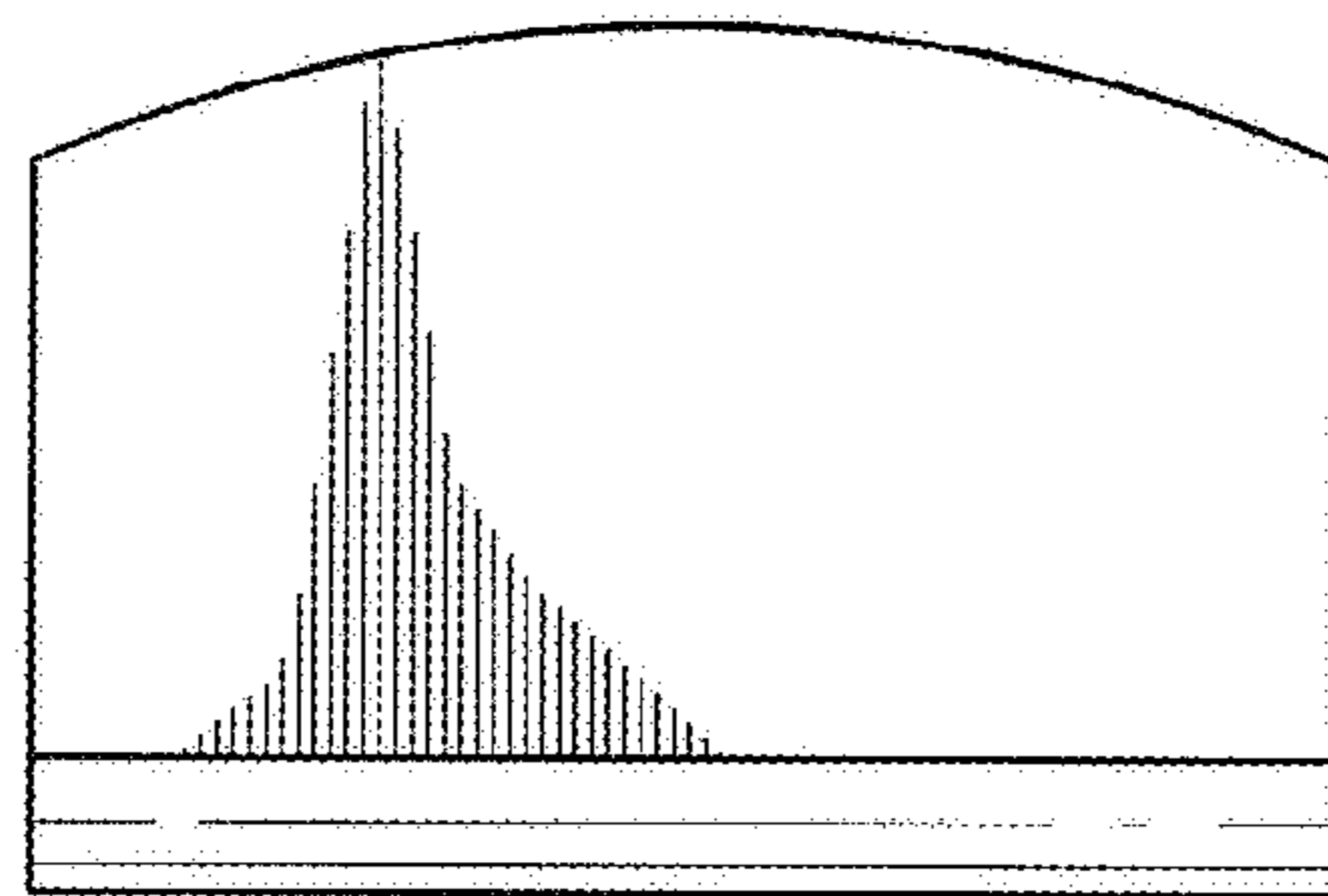


FIG. 5

FIG. 6

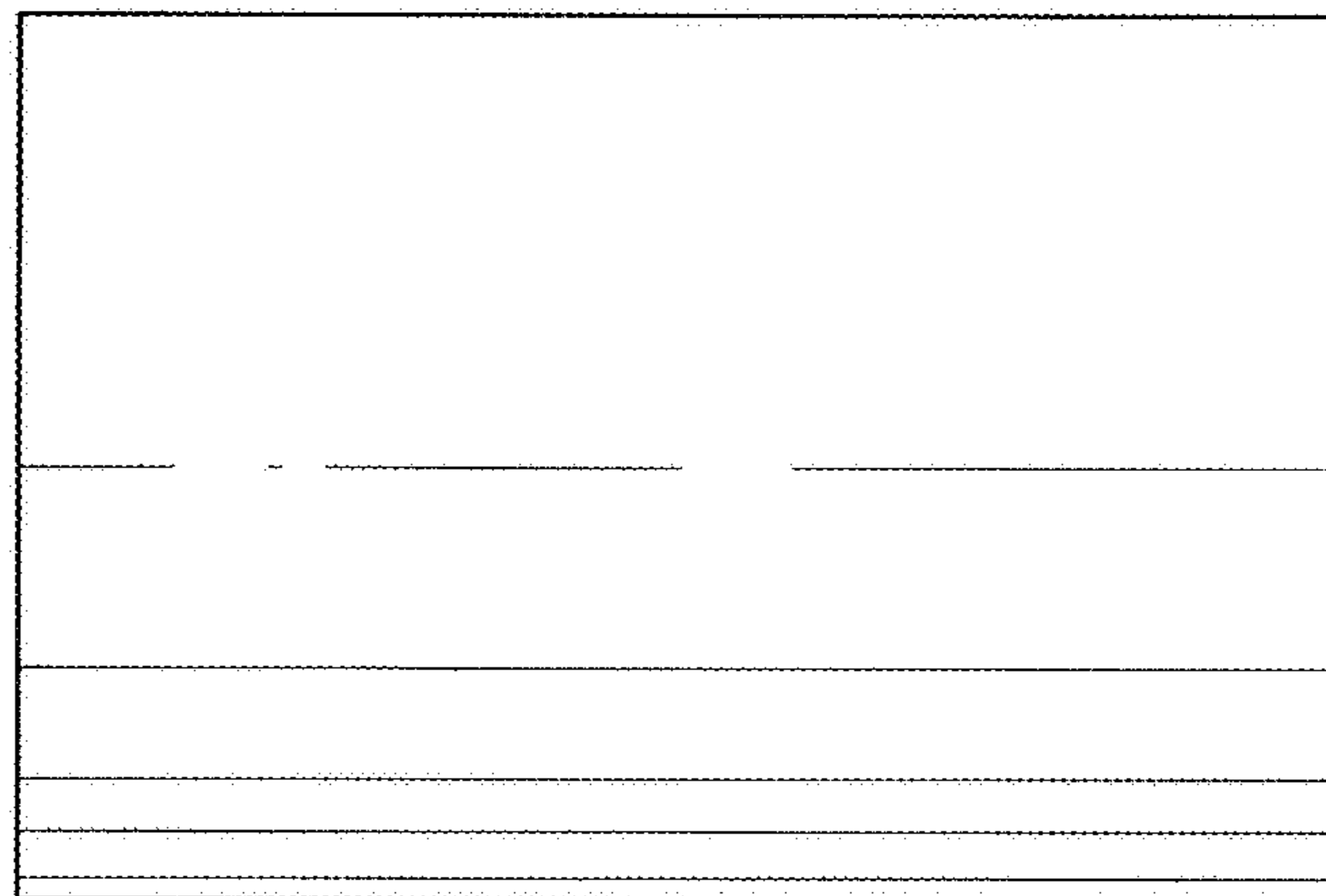


FIG. 7

