



US00D703764S

(12) **United States Design Patent**
Griffith

(10) **Patent No.:** US D703,764 S
(45) **Date of Patent:** ** Apr. 29, 2014

(54) **CONTROLLER**

(71) Applicant: **Twentieth Century Fox Film Corporation**, Los Angeles, CA (US)

(72) Inventor: **John M. Griffith**, Los Angeles, CA (US)

(73) Assignee: **Twentieth Century Fox Film Corporation**, Los Angeles, CA (US)

(**) Term: **14 Years**

(21) Appl. No.: **29/443,536**

(22) Filed: **Jan. 18, 2013**

Related U.S. Application Data

(62) Division of application No. 13/466,522, filed on May 8, 2012.

(51) **LOC (10) Cl.** **21-01**

(52) **U.S. Cl.**

USPC **D21/333**; D14/129

(58) **Field of Classification Search**

USPC D21/324–333, 385; D14/440, 401, 412, D14/414, 415, 416, 426, 427, 371–376, D14/125–129; 273/148 B; 463/1, 29–35, 46, 463/47; 345/156–167, 104, 168, 173, 87, 345/1.1, 901–905; 341/12; 348/180, 184, 348/325, 739; 349/1, 2, 11, 58; 248/917–924; 361/679.23

See application file for complete search history.

(56) **References Cited**

U.S. PATENT DOCUMENTS

D376,826	S	*	12/1996	Ashida	D14/401
D391,998	S	*	3/1998	Jwo	D14/401
D405,835	S	*	2/1999	Goto	D14/401
5,893,798	A	*	4/1999	Stambolic et al.	463/46
D410,914	S	*	6/1999	Tyler et al.	D14/401
6,614,420	B1	*	9/2003	Han et al.	345/161

D517,124	S	*	3/2006	Merril et al.	D21/324
D521,567	S	*	5/2006	Svendsen et al.	D21/333
D541,771	S	*	5/2007	Chung	D14/126
D545,692	S	*	7/2007	Bhavnani	D10/2
D624,535	S	*	9/2010	Tsai et al.	D14/336
7,985,137	B1	*	7/2011	Klitsner et al.	463/38

(Continued)

FOREIGN PATENT DOCUMENTS

KR 1020070099949 10/2007

OTHER PUBLICATIONS

International Application No. PCT/US2012/070536 International Search Report and Written Opinion dated Apr. 26, 2013, 8 pages.

Primary Examiner — Randall Gholson

(74) *Attorney, Agent, or Firm* — Cantor Colburn LLP

(57) **CLAIM**

The ornamental design for a controller, as shown and described.

DESCRIPTION

FIG. 1 is a front perspective view of a controller showing my new design;

FIG. 2 is a bottom perspective view thereof;

FIG. 3 is a front elevation view thereof;

FIG. 4 is a rear elevation view thereof;

FIG. 5 is a first side elevation view thereof;

FIG. 6 is a second side elevation view thereof;

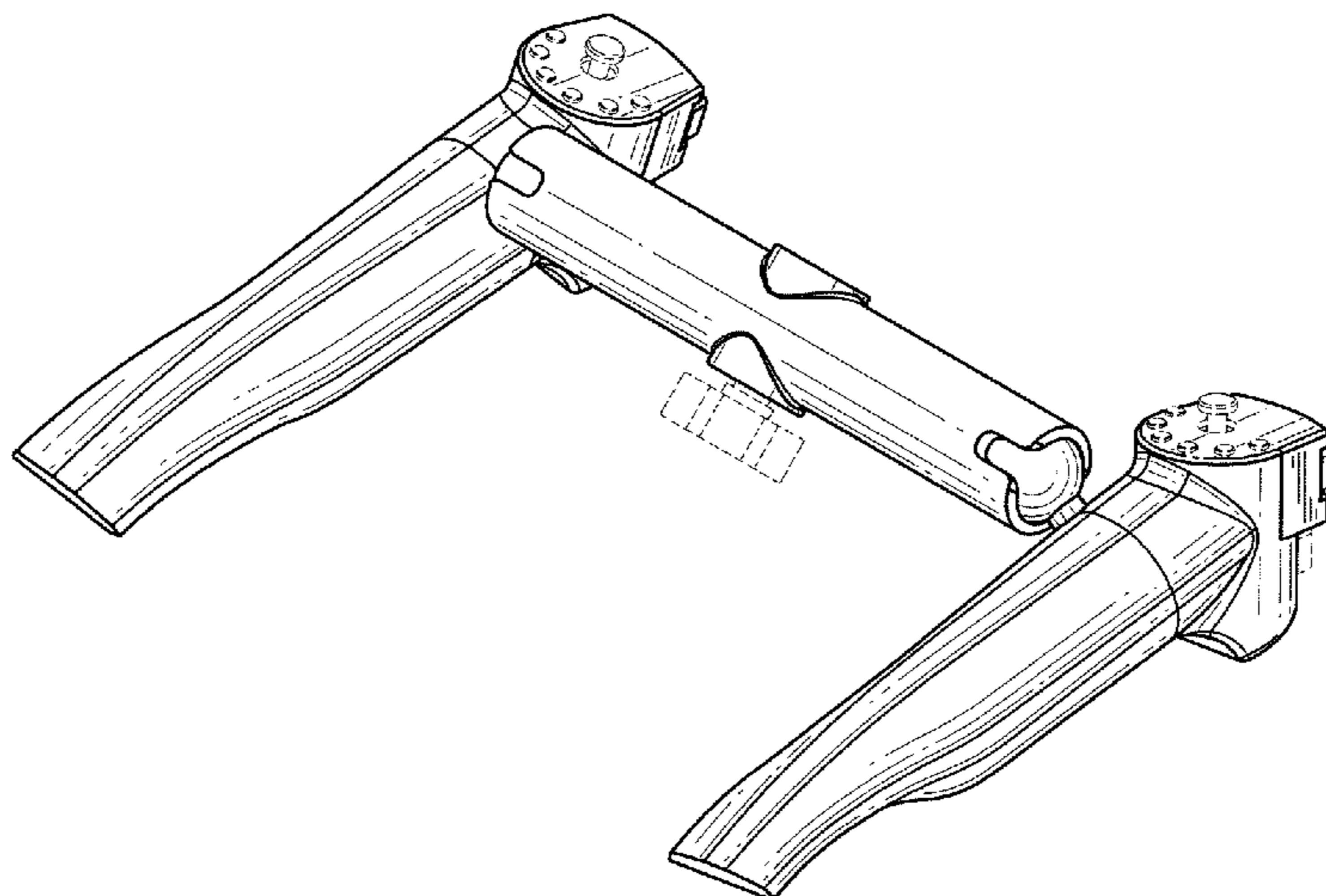
FIG. 7 is a bottom plan view thereof; and,

FIG. 8 is a top plan view thereof.

References to “side”, “top”, “front”, “rear” and “bottom” in the figure descriptions are not meant to require certain in-use orientation; a controller according to the claimed design may be used in any orientation.

The broken lines in the drawings depict environmental matter and form no part of the claimed design.

1 Claim, 3 Drawing Sheets



(56)

References Cited

U.S. PATENT DOCUMENTS

D665,461 S * 8/2012 Ikeda et al. D21/333
2007/0122027 A1 5/2007 Kunita et al.

2008/0231926 A1 9/2008 Klug et al.
2009/0324017 A1 12/2009 Gordon et al.
2010/0107127 A1 4/2010 Han et al.

* cited by examiner

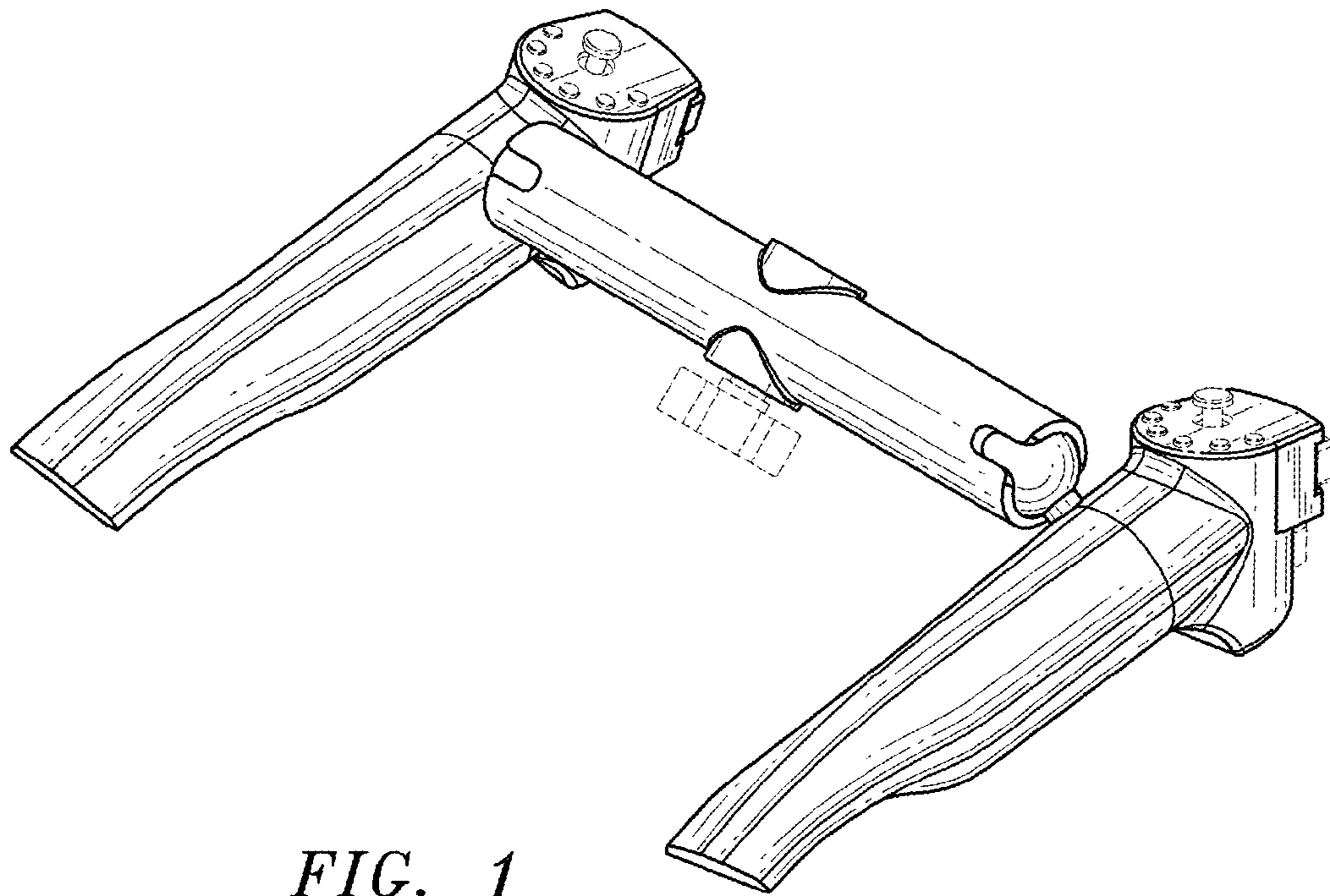


FIG. 1

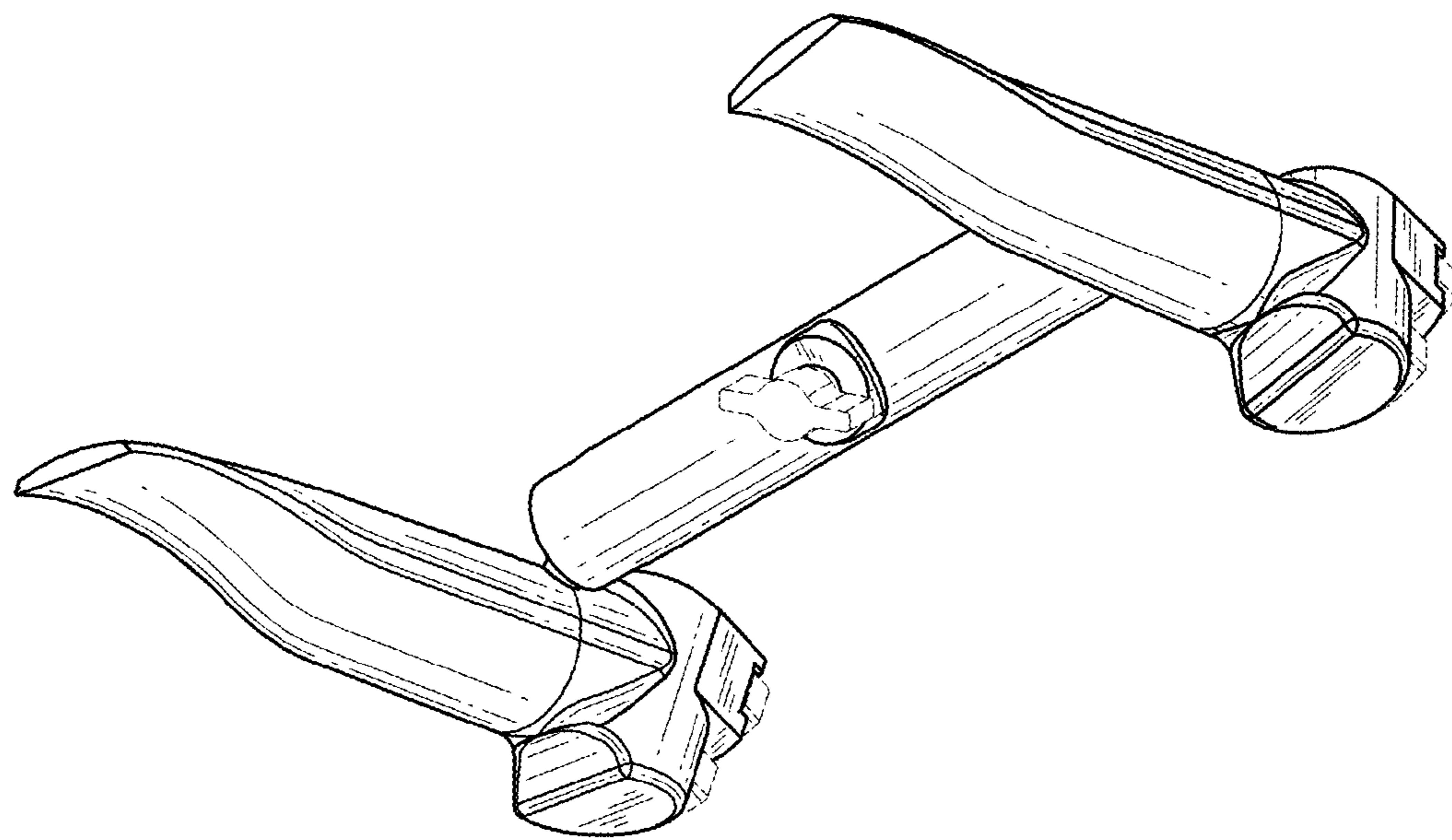


FIG. 2

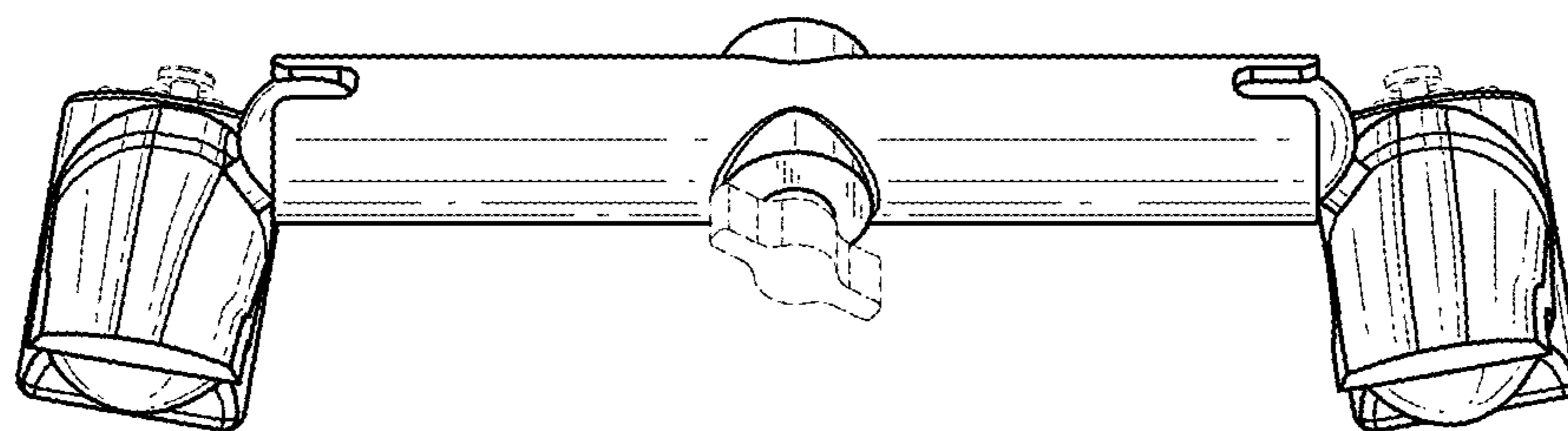


FIG. 3

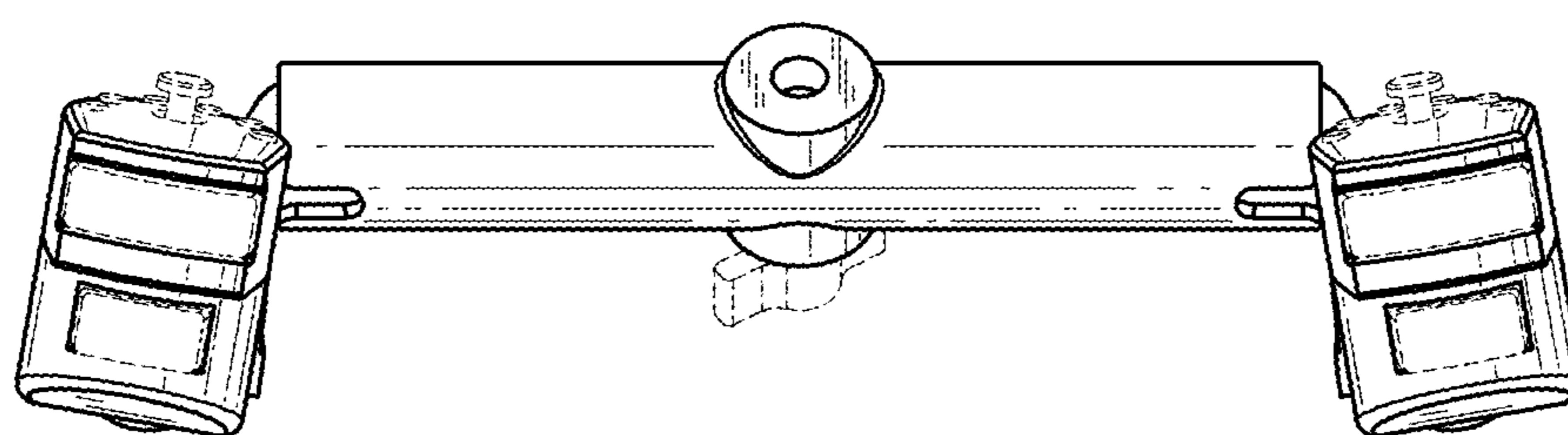


FIG. 4

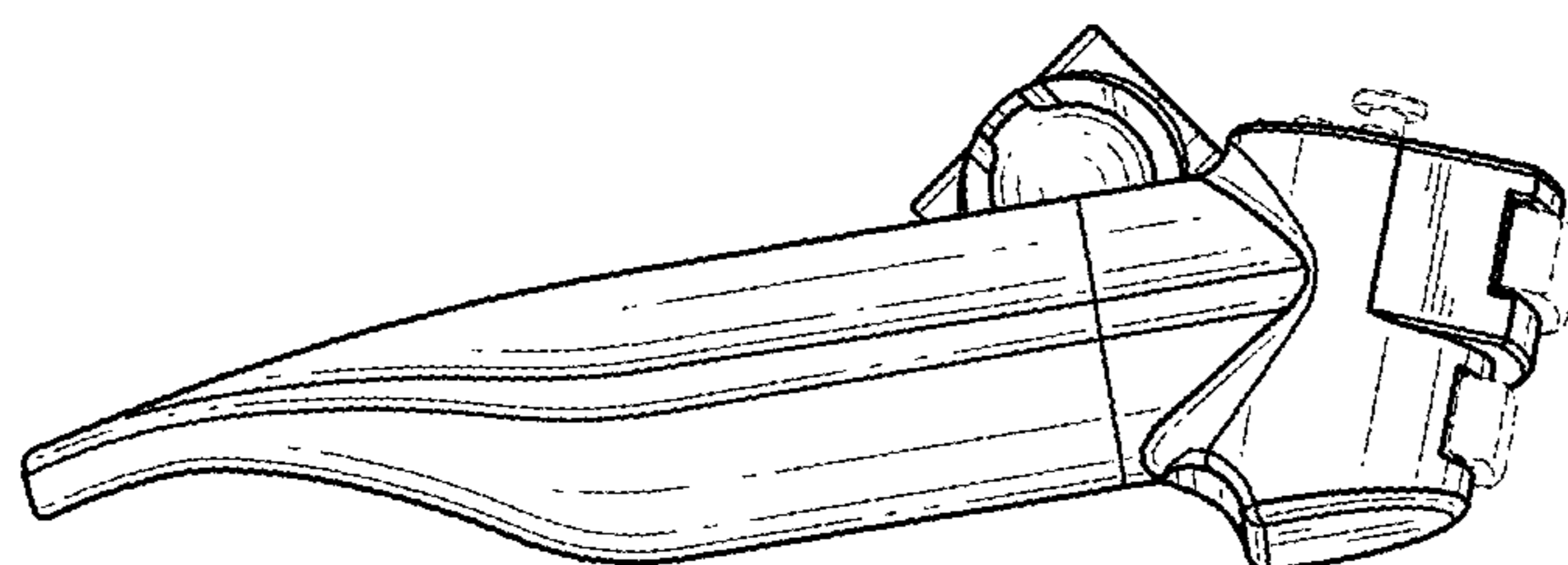


FIG. 5

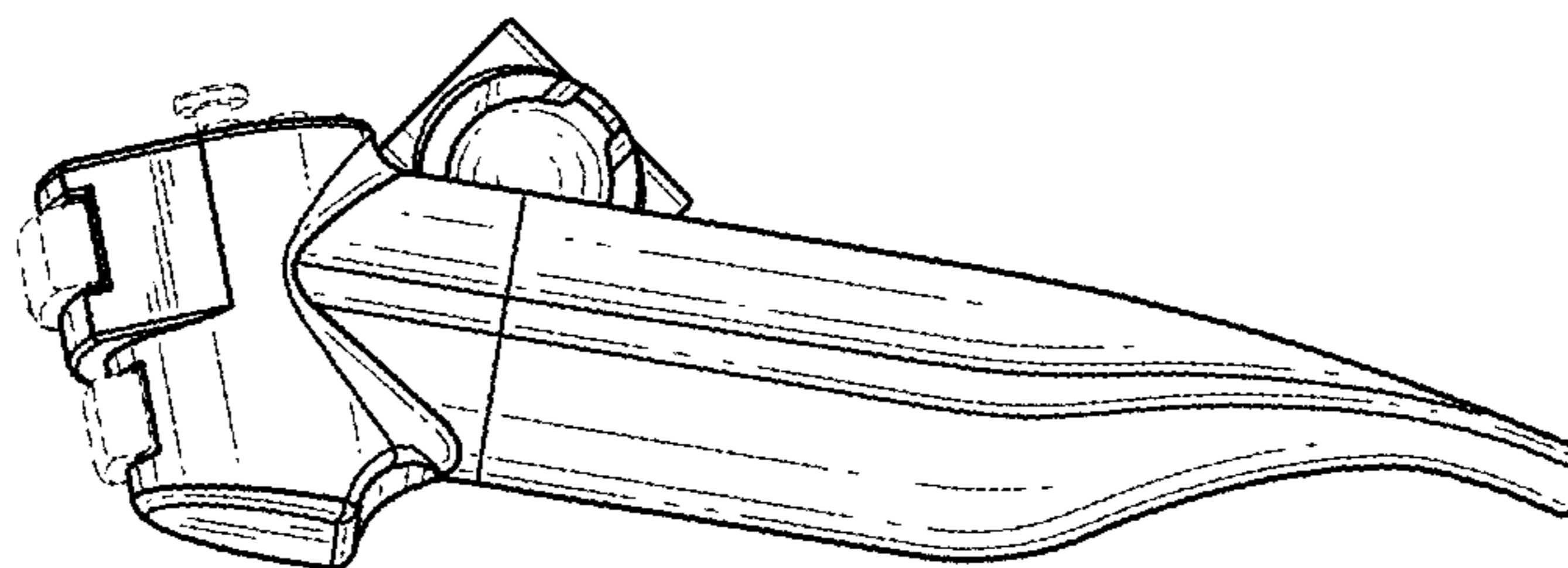


FIG. 6

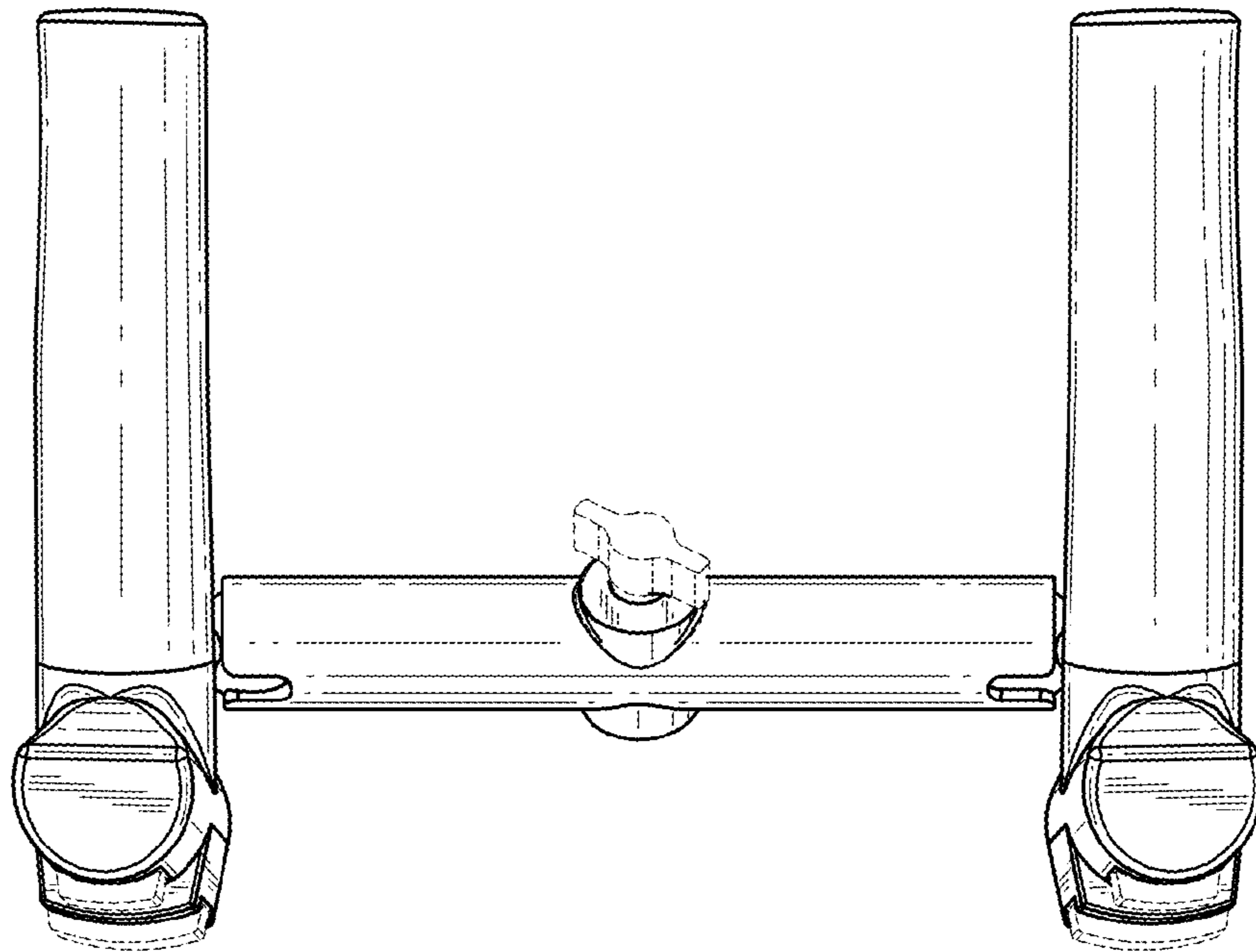


FIG. 7

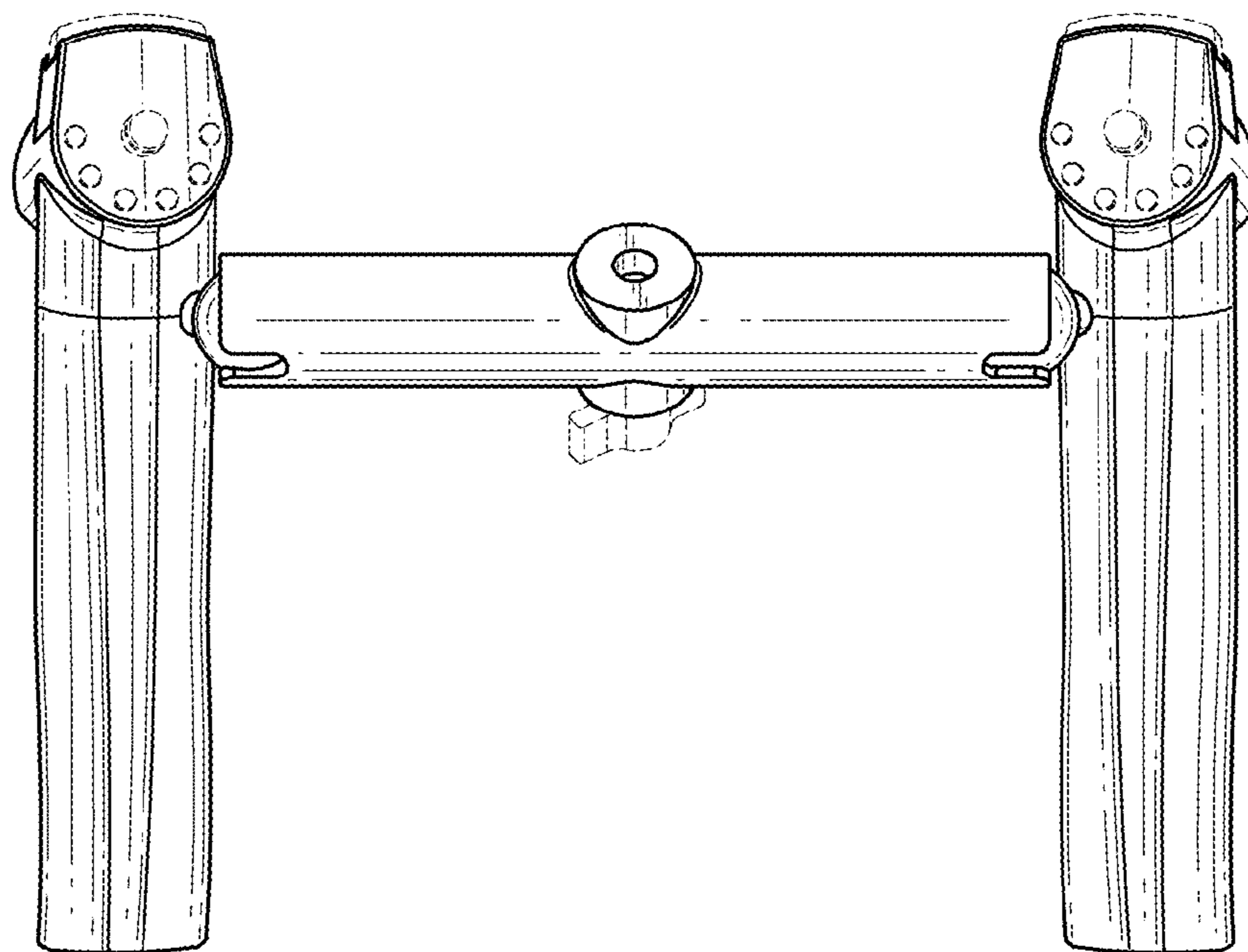


FIG. 8