



US00D703762S

(12) **United States Design Patent**  
**Baldursson**

(10) **Patent No.:** **US D703,762 S**  
(45) **Date of Patent:** **\*\* Apr. 29, 2014**

- (54) **PROFILED RAIL FOR ADVERTISING/DISPLAY UNITS**
- (71) Applicant: **B. Baldursson Reklam**, Hindås (SE)
- (72) Inventor: **Bragi Baldursson**, Hindås (SE)
- (73) Assignee: **B. Baldursson Reklam**, Hindas (SE)
- (\*\*) Term: **14 Years**
- (21) Appl. No.: **29/440,479**
- (22) Filed: **Dec. 21, 2012**

**Related U.S. Application Data**

- (62) Division of application No. 29/391,474, filed on May 9, 2011, now Pat. No. Des. 661,746, and a division of application No. 29/422,712, filed on May 23, 2012, now abandoned.

(30) **Foreign Application Priority Data**

Nov. 9, 2010	(EP)	001244172-0001
Nov. 9, 2010	(EP)	001244172-0002
Nov. 9, 2010	(EP)	001244172-0003
Nov. 9, 2010	(EP)	001244172-0004
Nov. 9, 2010	(EP)	001244172-0005
Nov. 9, 2010	(EP)	001244172-0006
Jan. 28, 2011	(EP)	001256994-0001
Jan. 28, 2011	(EP)	001256994-0002
Jan. 28, 2011	(EP)	001256994-0003
Jan. 28, 2011	(EP)	001256994-0004
Jan. 28, 2011	(EP)	001256994-0005

- (51) **LOC (10) Cl.** ..... **20-03**
- (52) **U.S. Cl.**  
USPC ..... **D20/44**

- (58) **Field of Classification Search**  
USPC ..... D20/10, 19, 42-44, 99; 40/642.01, 40/642.02, 649-651, 661, 661.03; D6/300; D8/354, 373; D25/119-123; D26/138; 211/50; 248/223.41

See application file for complete search history.

(56) **References Cited**

U.S. PATENT DOCUMENTS

D150,466	S	*	8/1948	Schuler	.....	D20/44
3,086,658	A		4/1963	Palmer		

(Continued)

FOREIGN PATENT DOCUMENTS

EM	001244172-20001	*	11/2010
EM	001244172-20002	*	11/2010
EM	001244172-20003	*	11/2010

*Primary Examiner* — Mary Ann Calabrese

(74) *Attorney, Agent, or Firm* — Nixon & Vanderhye P.C.

(57) **CLAIM**

The ornamental design for “profiled rail for advertising/display units,” as shown and described.

**DESCRIPTION**

FIG. 1 is a right, top, rear perspective view of a profiled rail for advertising/display units in accordance with a first embodiment of my new design;

FIG. 2 is a right, bottom, front perspective view thereof;

FIG. 3 is a right side elevation view thereof; the left side view being a mirror image thereof;

FIG. 4 is a right, top, rear perspective view of a profiled rail for advertising/display units in accordance with a second embodiment of my new design;

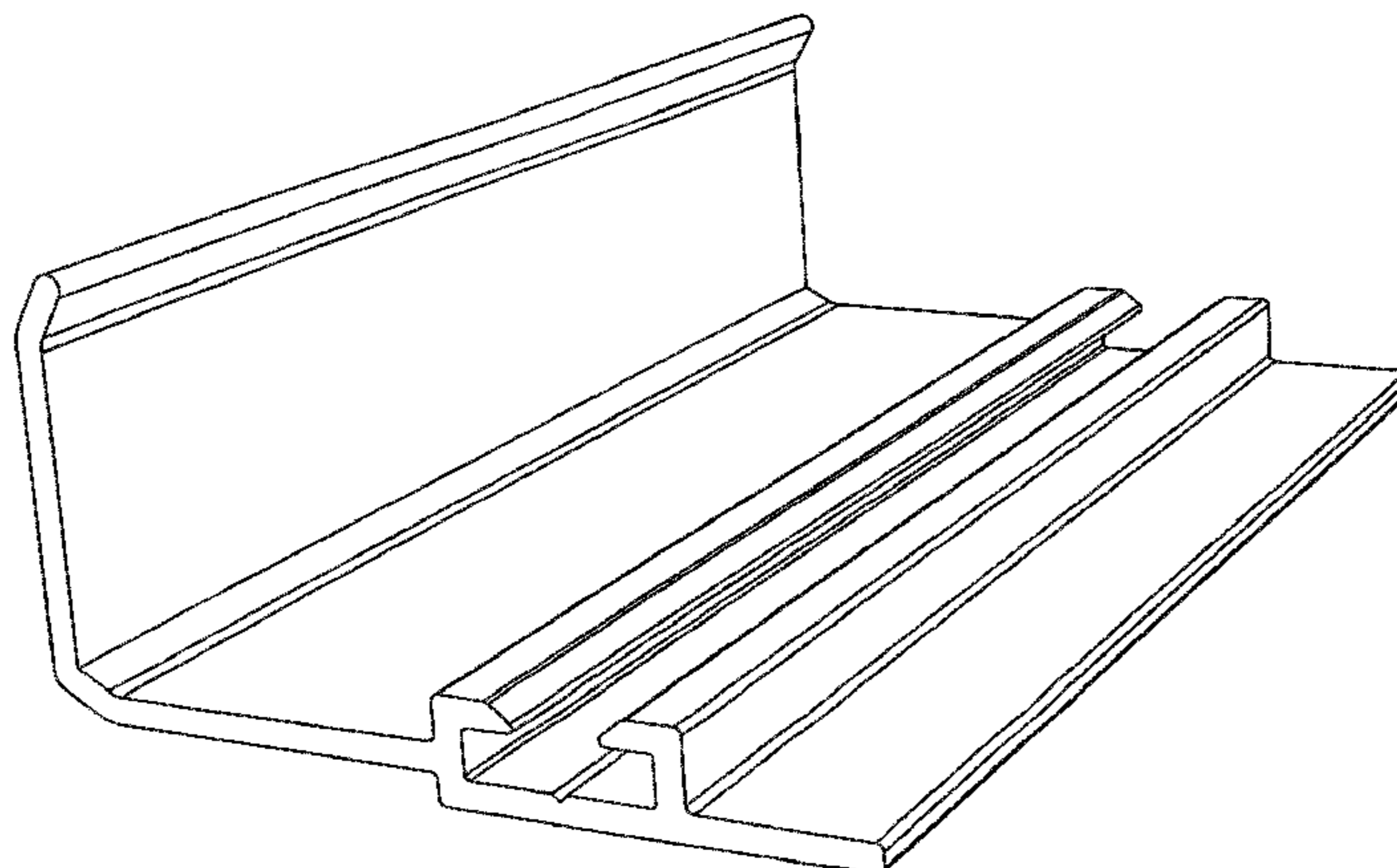
FIG. 5 is a right, bottom, front perspective view thereof;

FIG. 6 is a right side elevation view thereof; the left side view being a mirror image thereof;

FIG. 7 is a right, top, rear perspective view of a profiled rail for advertising/display units in accordance with a third embodiment of my new design;

FIG. 8 is a right, bottom, front perspective view thereof; and, FIG. 9 is a right side elevation view thereof; the left side view being a mirror image thereof.

**1 Claim, 9 Drawing Sheets**



(56)

**References Cited**

U.S. PATENT DOCUMENTS

D221,854 S 9/1971 Dowdell et al.  
 D240,013 S 5/1976 McKee  
 D314,017 S 1/1991 Garfinkle  
 D345,427 S \* 3/1994 Moss et al. .... D25/119  
 D350,568 S \* 9/1994 Lucarelli ..... D20/43  
 5,899,011 A 5/1999 Brinkman  
 D425,566 S 5/2000 Mueller et al.  
 D426,584 S 6/2000 Czalkiewicz  
 D433,459 S \* 11/2000 Balchin ..... D20/44  
 D454,373 S 3/2002 Kosir  
 6,546,658 B2 4/2003 Pitcher et al.  
 D484,544 S 12/2003 Healy  
 D504,160 S 4/2005 Abramson

D507,173 S \* 7/2005 Cairns ..... D8/376  
 D526,887 S 8/2006 Remmers et al.  
 D527,834 S 9/2006 Thimons  
 D536,954 S 2/2007 Sjoberg  
 D554,773 S 11/2007 Antonic  
 D563,567 S 3/2008 Fischer  
 D569,916 S \* 5/2008 Garfinkle ..... D20/43  
 D614,241 S \* 4/2010 Garfinkle et al. .... D20/44  
 D616,946 S 6/2010 Garfinkle et al.  
 D649,693 S 11/2011 Trzesniowski  
 D650,019 S 12/2011 Stuke  
 2002/0139025 A1 10/2002 Pitcher et al.  
 2004/0178308 A1 9/2004 Bacnik  
 2004/0211101 A1 10/2004 Pitcher et al.  
 2004/0237369 A1 12/2004 Andersson  
 2005/0193612 A1 9/2005 Lowry

\* cited by examiner

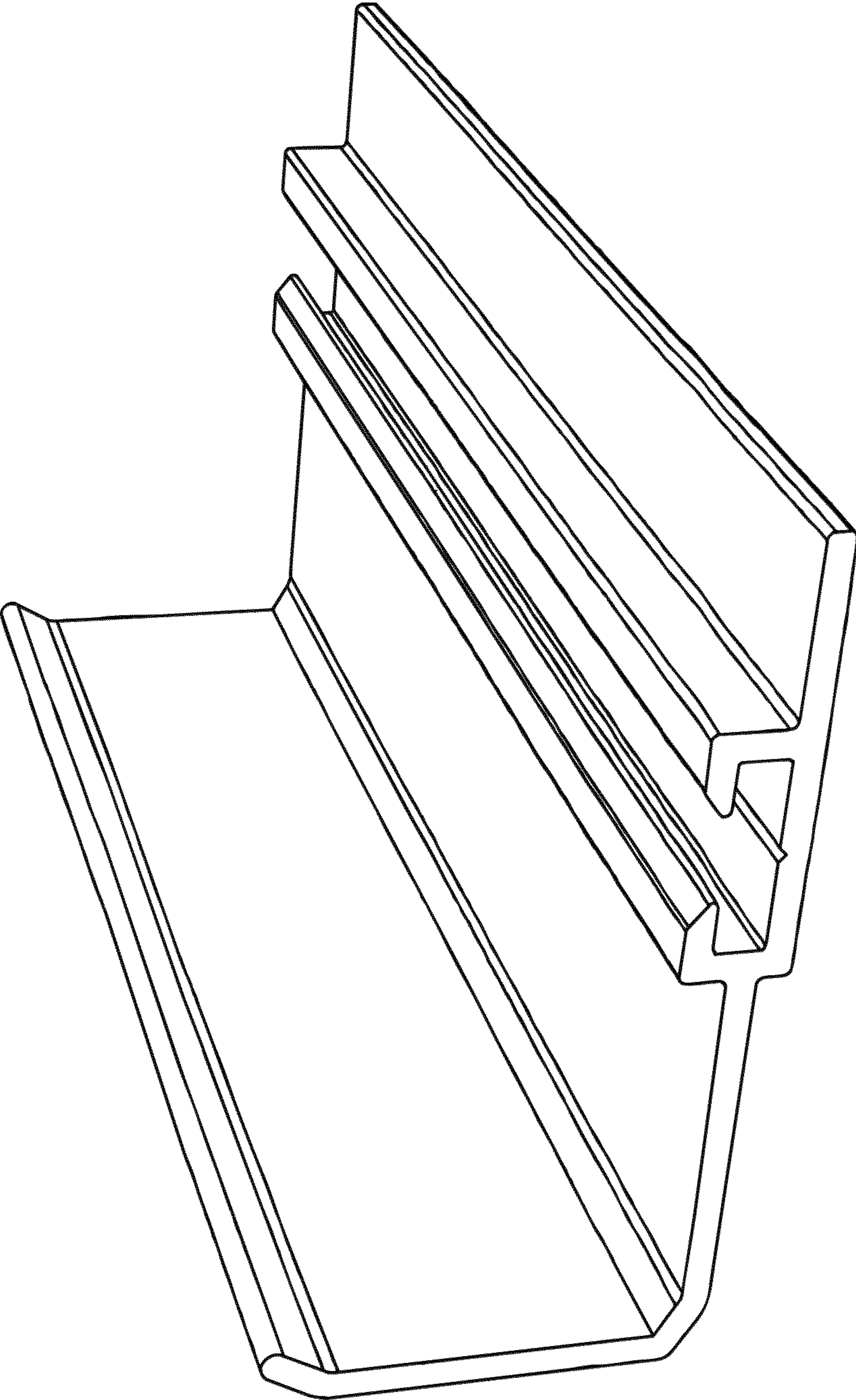


FIG. 1

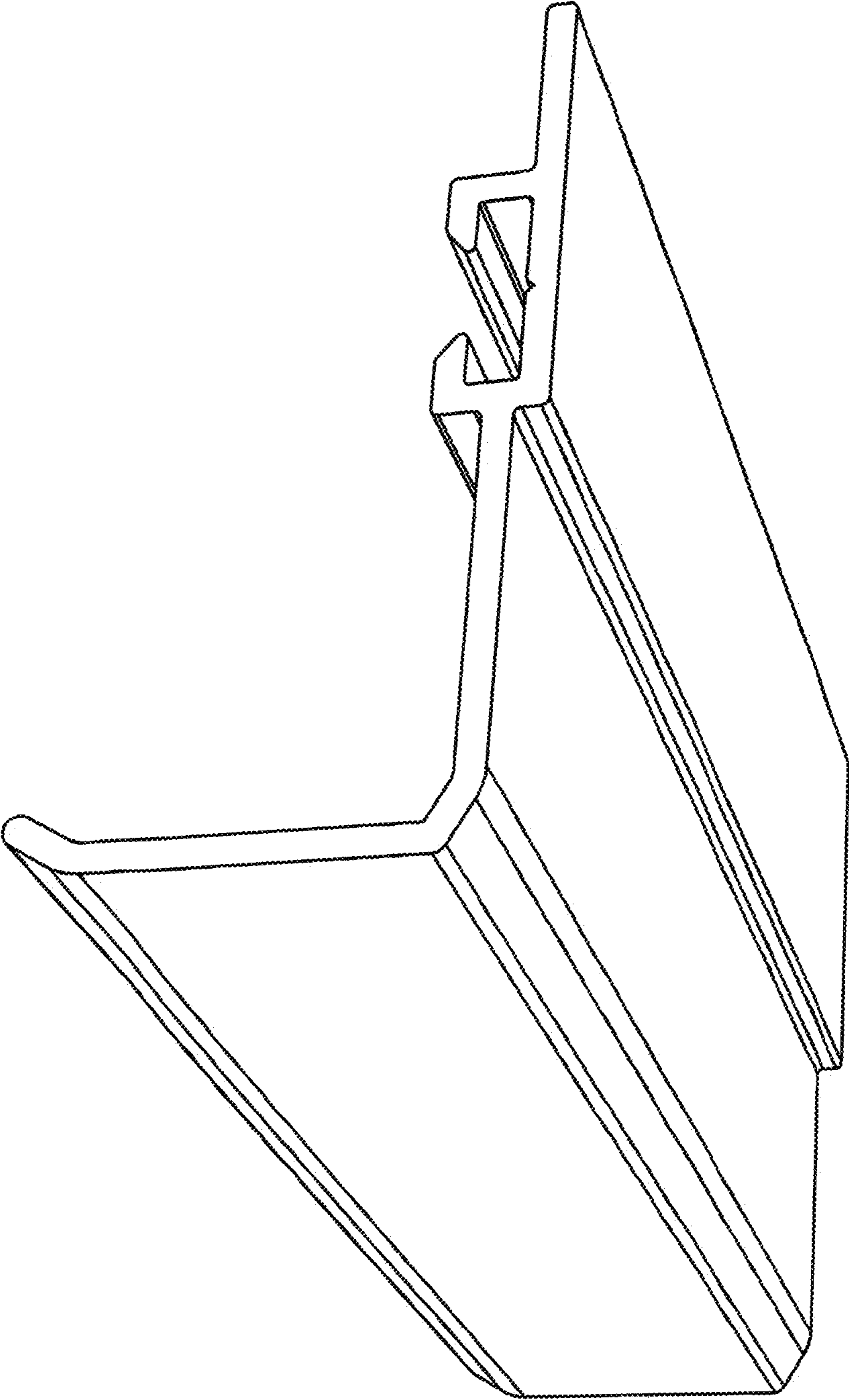


FIG. 2

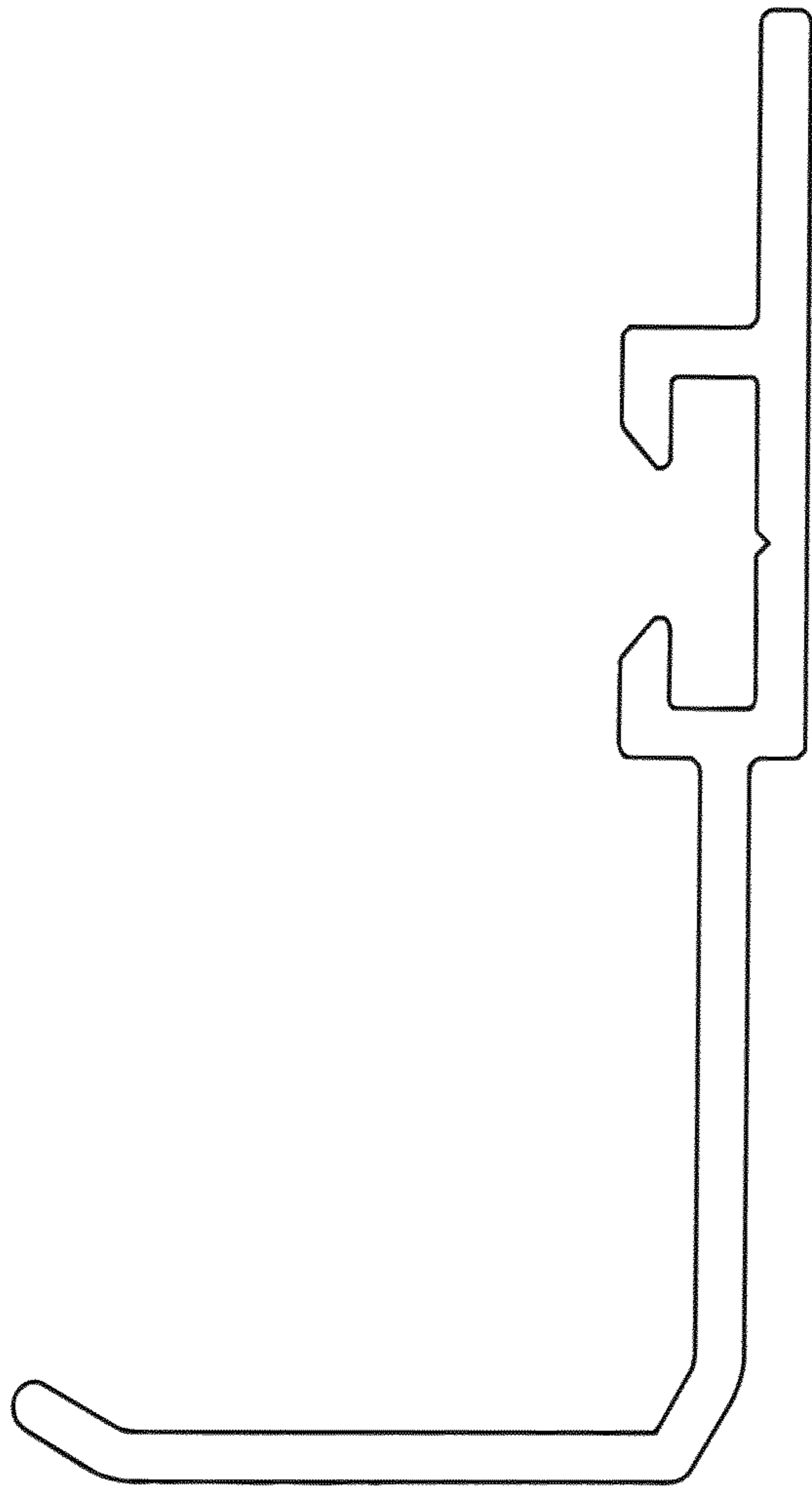


FIG. 3

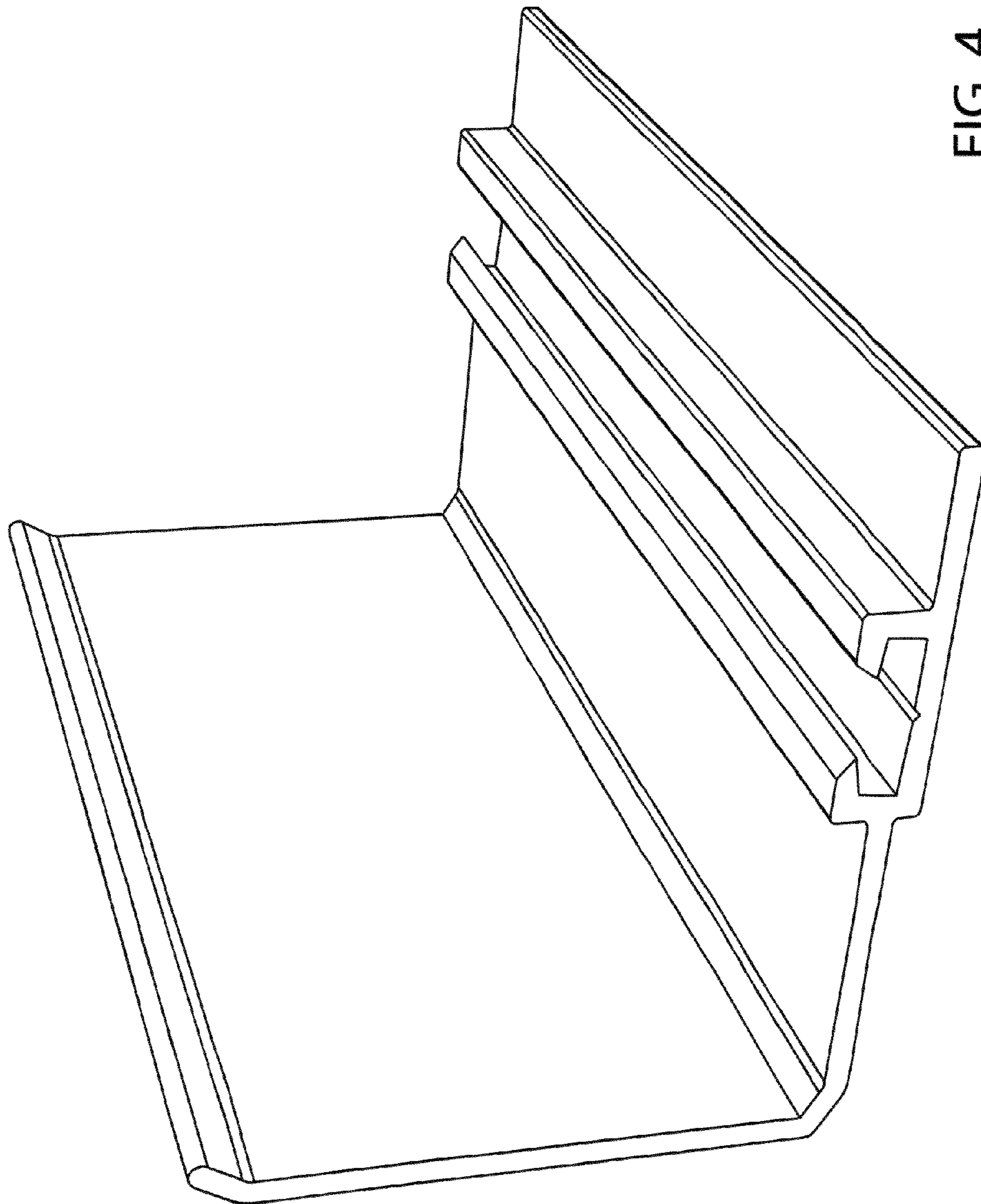


FIG. 4

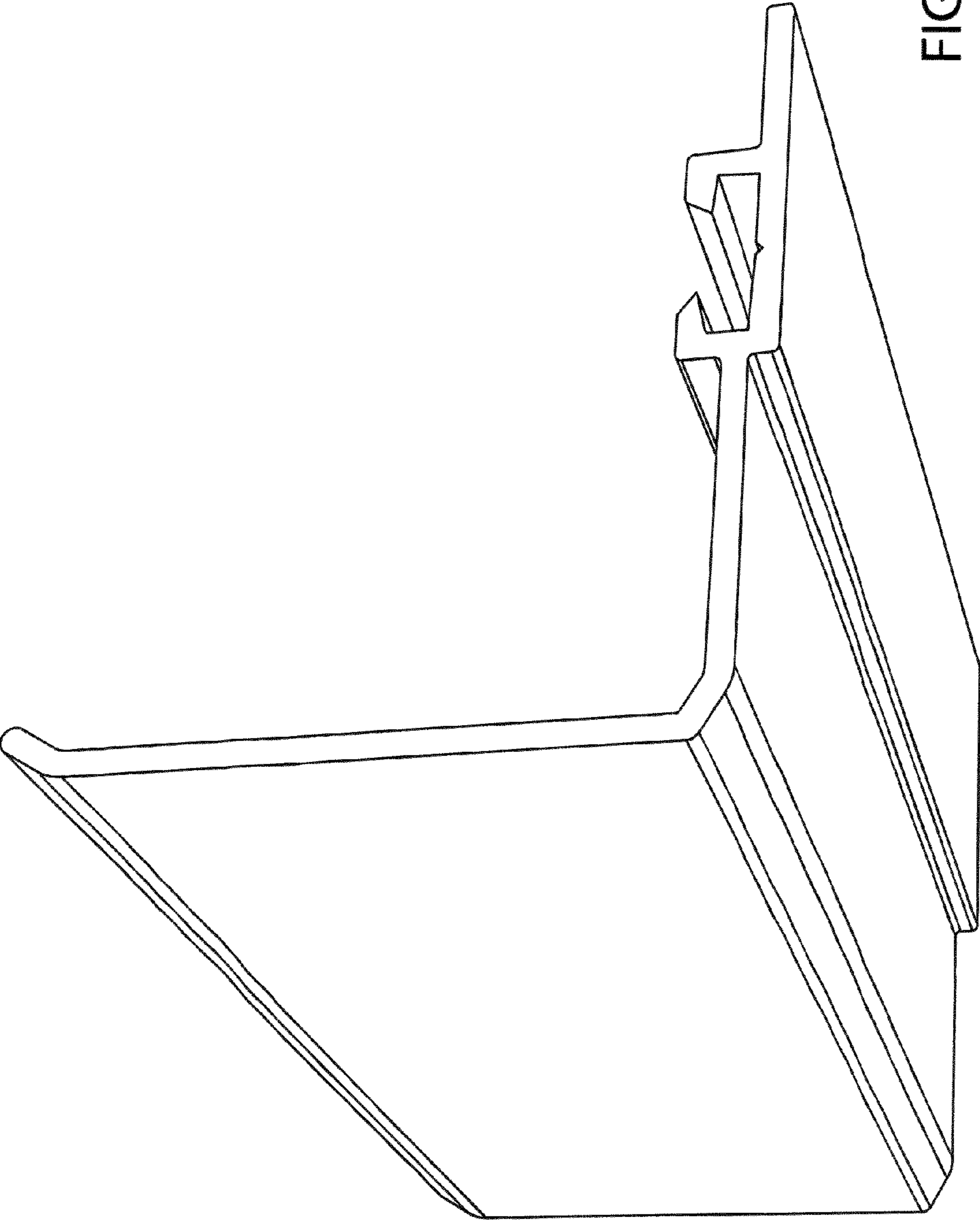


FIG. 5

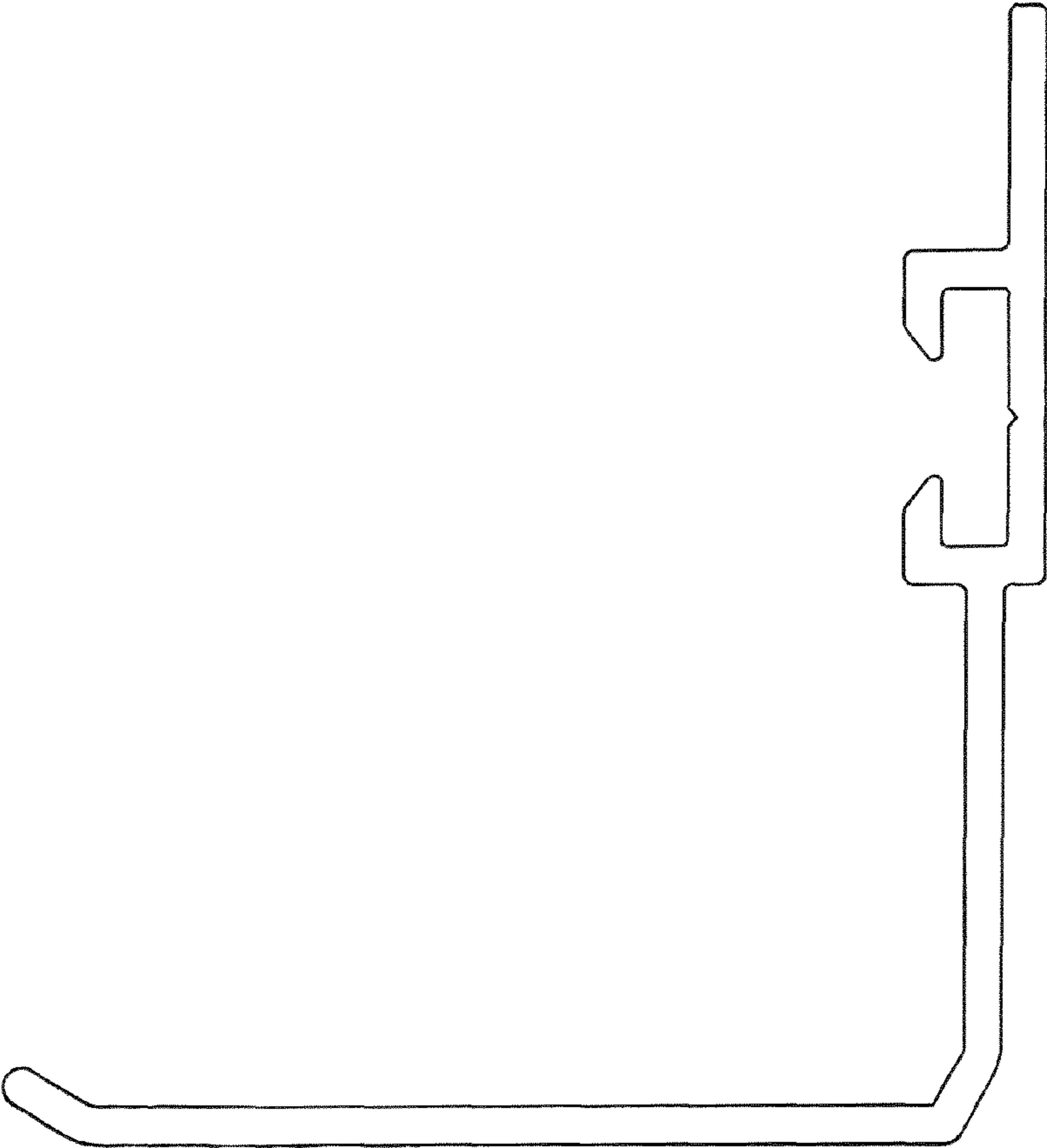


FIG. 6



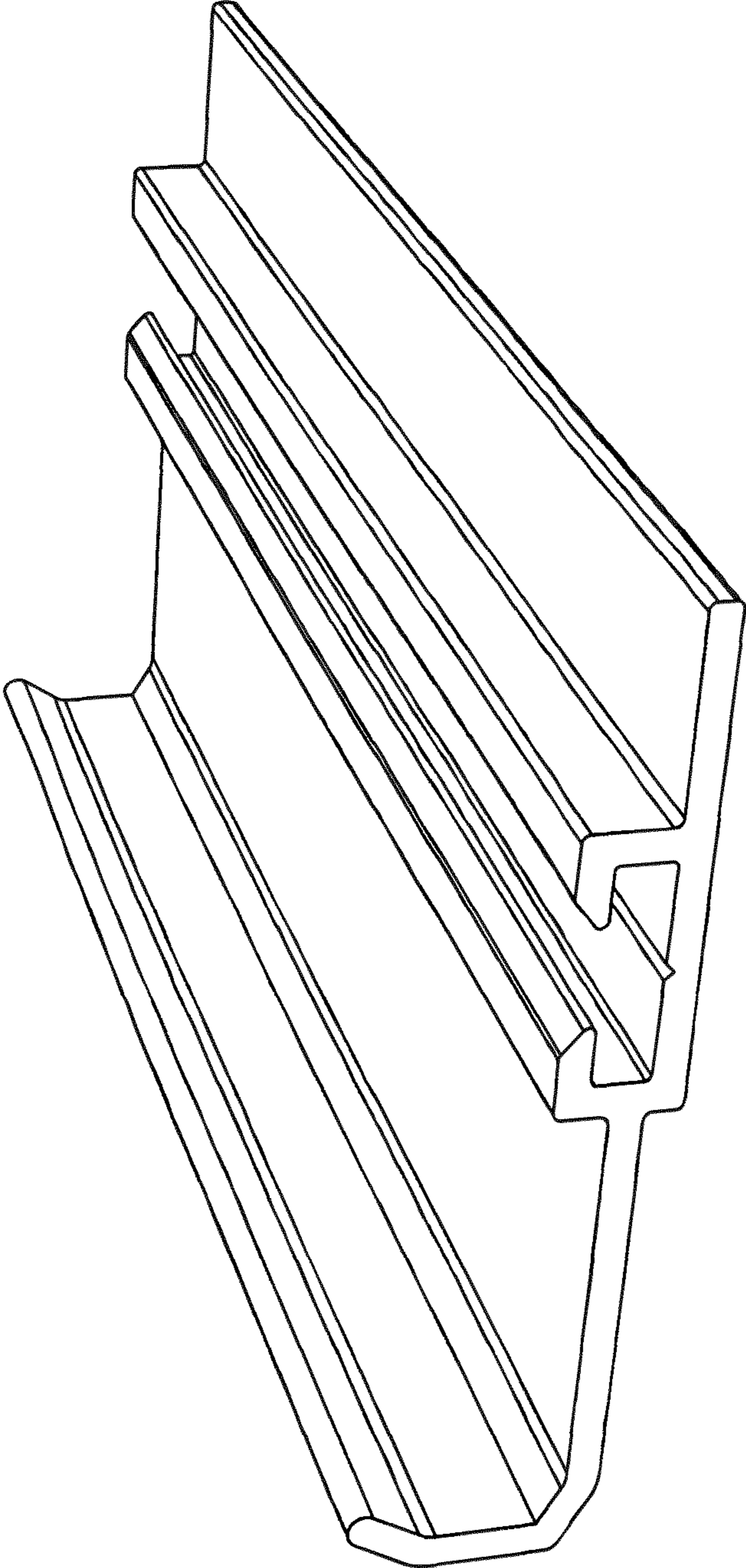


FIG.7

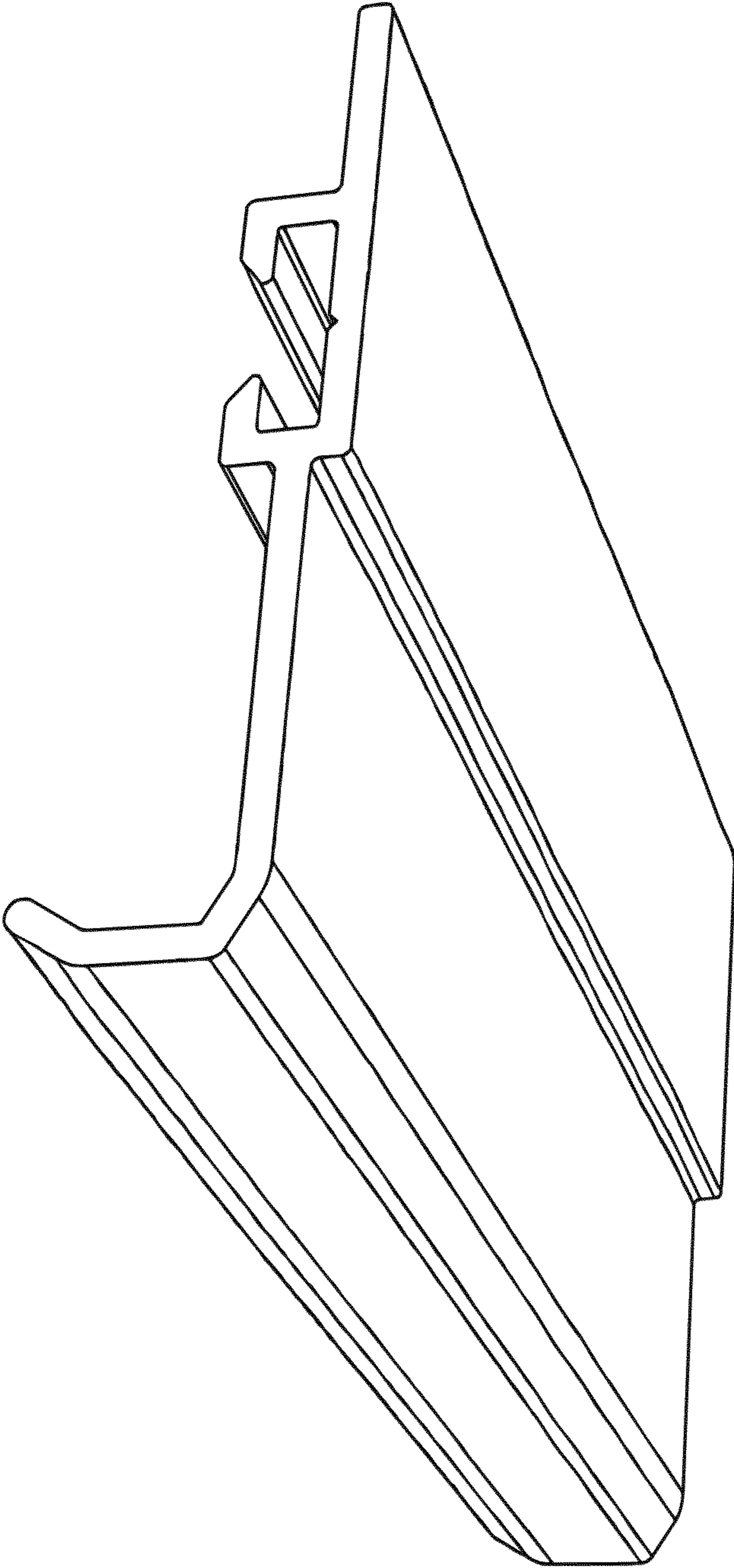


FIG. 8

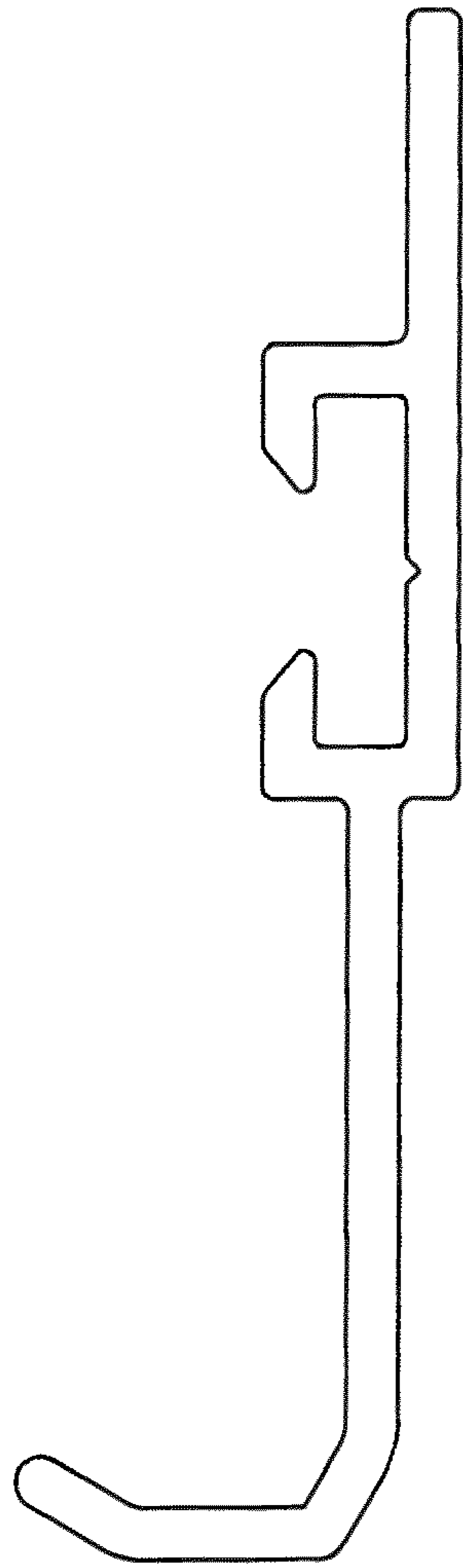


FIG. 9