



US00D703758S

(12) **United States Design Patent**
Bengyak

(10) **Patent No.:** **US D703,758 S**

(45) **Date of Patent:** **** Apr. 29, 2014**

(54) **HAND SIGN**

(76) Inventor: **Christopher Edward Bengyak**, Vero Beach, FL (US)

(**) Term: **14 Years**

(21) Appl. No.: **29/421,413**

(22) Filed: **Jul. 20, 2012**

(51) **LOC (10) Cl.** **20-03**

(52) **U.S. Cl.**
USPC **D20/29; D20/33**

(58) **Field of Classification Search**
USPC D20/10, 19, 29-33, 35-37, 99; 40/446, 40/538, 541, 584, 586; D2/615; D10/109.1, 109.2, 113.4; D21/400
See application file for complete search history.

(56) **References Cited**

U.S. PATENT DOCUMENTS

D164,567 S *	9/1951	Gosslin	D20/32
D295,640 S *	5/1988	Breault	D10/109.1
D360,653 S *	7/1995	McKee	D20/33
D414,819 S *	10/1999	Pool et al.	D21/400
D415,537 S *	10/1999	Pool et al.	D21/400
D416,055 S *	11/1999	Pool et al.	D21/400
D422,319 S *	4/2000	Pool et al.	D21/400
D429,285 S *	8/2000	Schini	D20/32
D633,152 S *	2/2011	Scott	D20/33
D633,945 S *	3/2011	Scott	D20/33
D633,946 S *	3/2011	Scott	D20/33
D641,791 S *	7/2011	Scott	D20/33
D660,547 S *	5/2012	Bengyak	D2/619

OTHER PUBLICATIONS

#1_77691793—Trademark Serial No. 77691793, Mar. 16, 2009 #1 Fan Company Limited Liability Company United States.*
#1_1140509—Trademark Registration No. 1140509, Oct. 14, 1980 First used in commerce—Sep. 28, 1978 Allied Plastics, Inc. Corporation California.*

* cited by examiner

Primary Examiner — Mary Ann Calabrese

(57) **CLAIM**

The ornamental design for a hand sign, as shown and described.

DESCRIPTION

FIG. 1 is a right-side elevational view of a first embodiment of a left-hand hand sign according to the invention;
FIG. 2 is a left-side elevational view of the left-hand hand sign of FIG. 1;
FIG. 3 is an enlarged rear elevational view of the left-hand hand sign of FIG. 1;
FIG. 4 is an enlarged front elevational view of the left-hand hand sign of FIG. 1;
FIG. 5 is an enlarged top plan view of the left-hand hand sign of FIG. 1;
FIG. 6 is an enlarged bottom plan view of the left-hand hand sign of FIG. 1;
FIG. 7 is a perspective view from below the front of the right side of the left-hand hand sign of FIG. 1;
FIG. 8 is a perspective view from above the rear of the right side of the left-hand hand sign of FIG. 1;
FIG. 9 is a left-side elevational view of a second embodiment of a right-hand hand sign according to the invention;
FIG. 10 is a right-side elevational view of the right-hand hand sign of FIG. 9;
FIG. 11 is an enlarged front elevational view of the right-hand hand sign of FIG. 9;
FIG. 12 is an enlarged rear elevational view of the right-hand hand sign of FIG. 9;
FIG. 13 is an enlarged top plan view of the right-hand hand sign of FIG. 9;
FIG. 14 is an enlarged bottom plan view of the right-hand hand sign of FIG. 9;
FIG. 15 is a perspective view from below the rear of the left side of the right-hand hand sign of FIG. 9;
FIG. 16 is a perspective view from above the front of the left side of the right-hand hand sign of FIG. 9;
FIG. 17 is a right-side elevational view of a third embodiment of a left-hand hand sign according to the invention;
FIG. 18 is a left-side elevational view of the left-hand hand sign of FIG. 17;
FIG. 19 is an enlarged rear elevational view of the left-hand hand sign of FIG. 17;

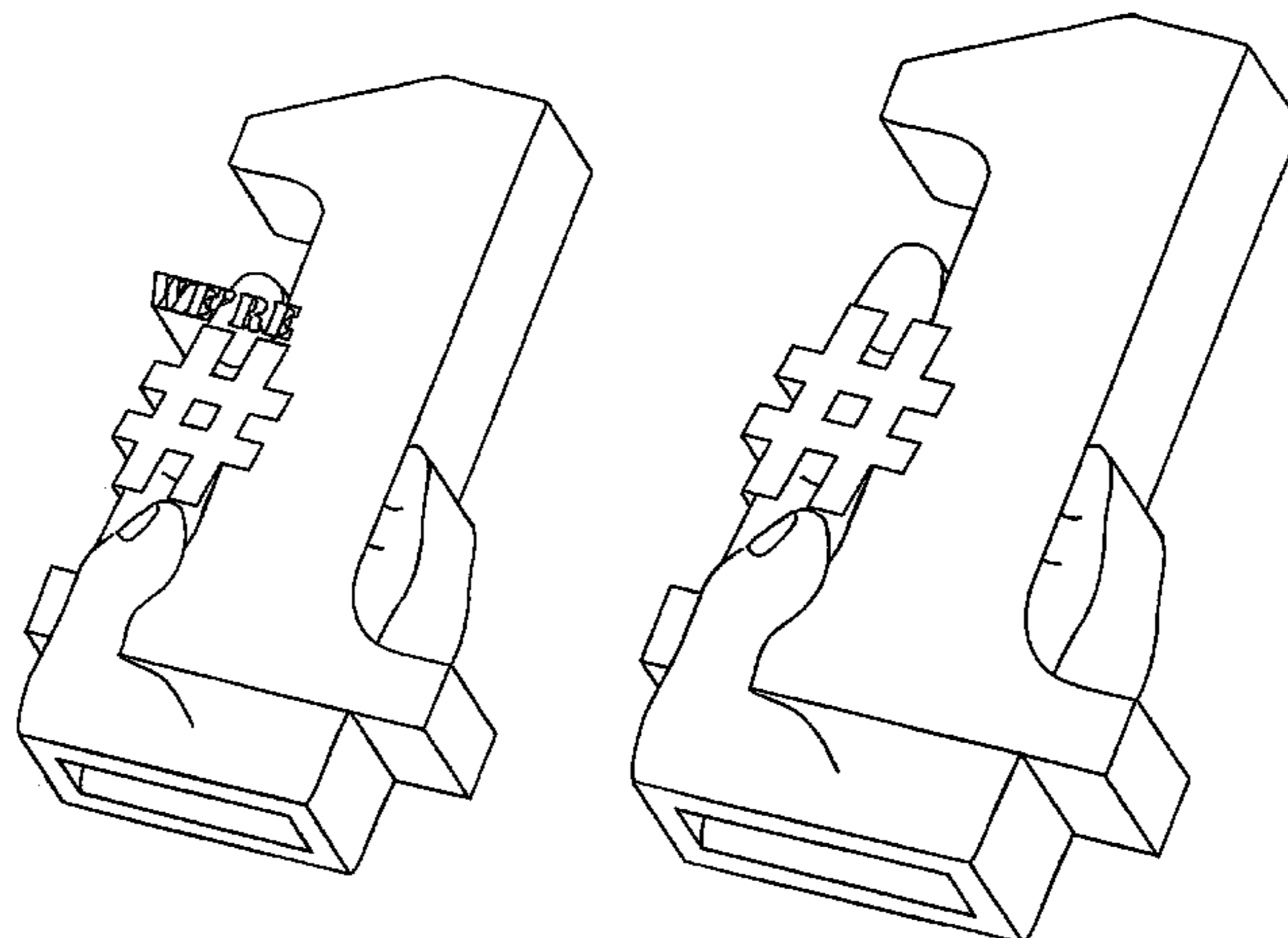


FIG. 20 is an enlarged front elevational view of the left-hand hand sign of FIG. 17;

FIG. 21 is an enlarged top plan view of the left-hand hand sign of FIG. 17;

FIG. 22 is an enlarged bottom plan view of the left-hand hand sign of FIG. 17;

FIG. 23 is a perspective view from below the front of the right side of the left-hand hand sign of FIG. 17;

FIG. 24 is a perspective view from above the rear of the right side of the left-hand hand sign of FIG. 17;

FIG. 25 is a left-side elevational view of a fourth embodiment of a right-hand hand sign according to the invention;

FIG. 26 is a right-side elevational view of the right-hand hand sign of FIG. 25;

FIG. 27 is an enlarged front elevational view of the right-hand hand sign of FIG. 25;

FIG. 28 is an enlarged rear elevational view of the right-hand hand sign of FIG. 25;

FIG. 29 is an enlarged top plan view of the right-hand hand sign of FIG. 25;

FIG. 30 is an enlarged bottom plan view of the right-hand hand sign of FIG. 25;

FIG. 31 is a perspective view from below the rear of the left side of the right-hand hand sign of FIG. 25; and,

FIG. 32 is a perspective view from above the front of the left side of the right-hand hand sign of FIG. 25.

1 Claim, 24 Drawing Sheets

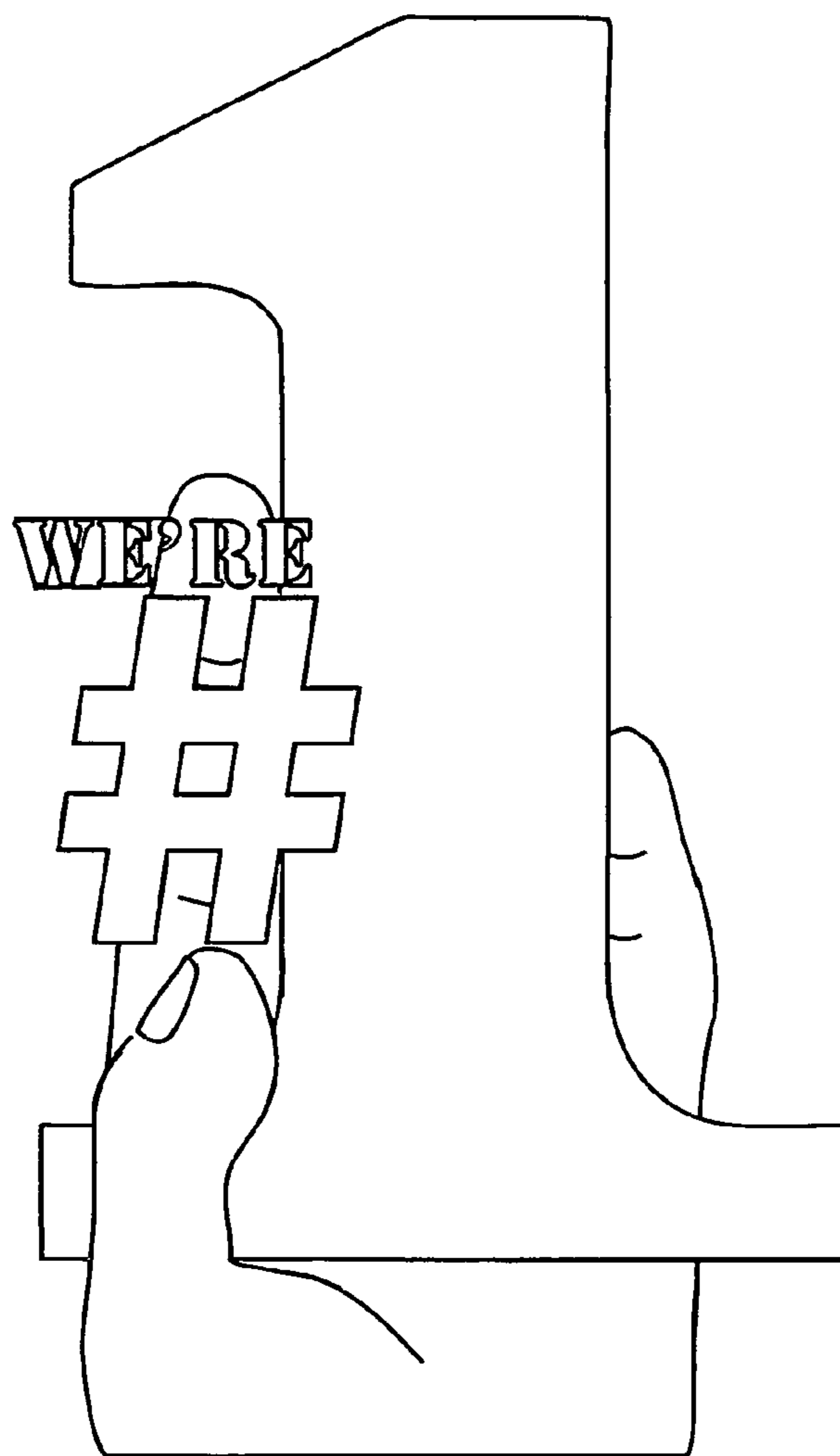


FIG. 1

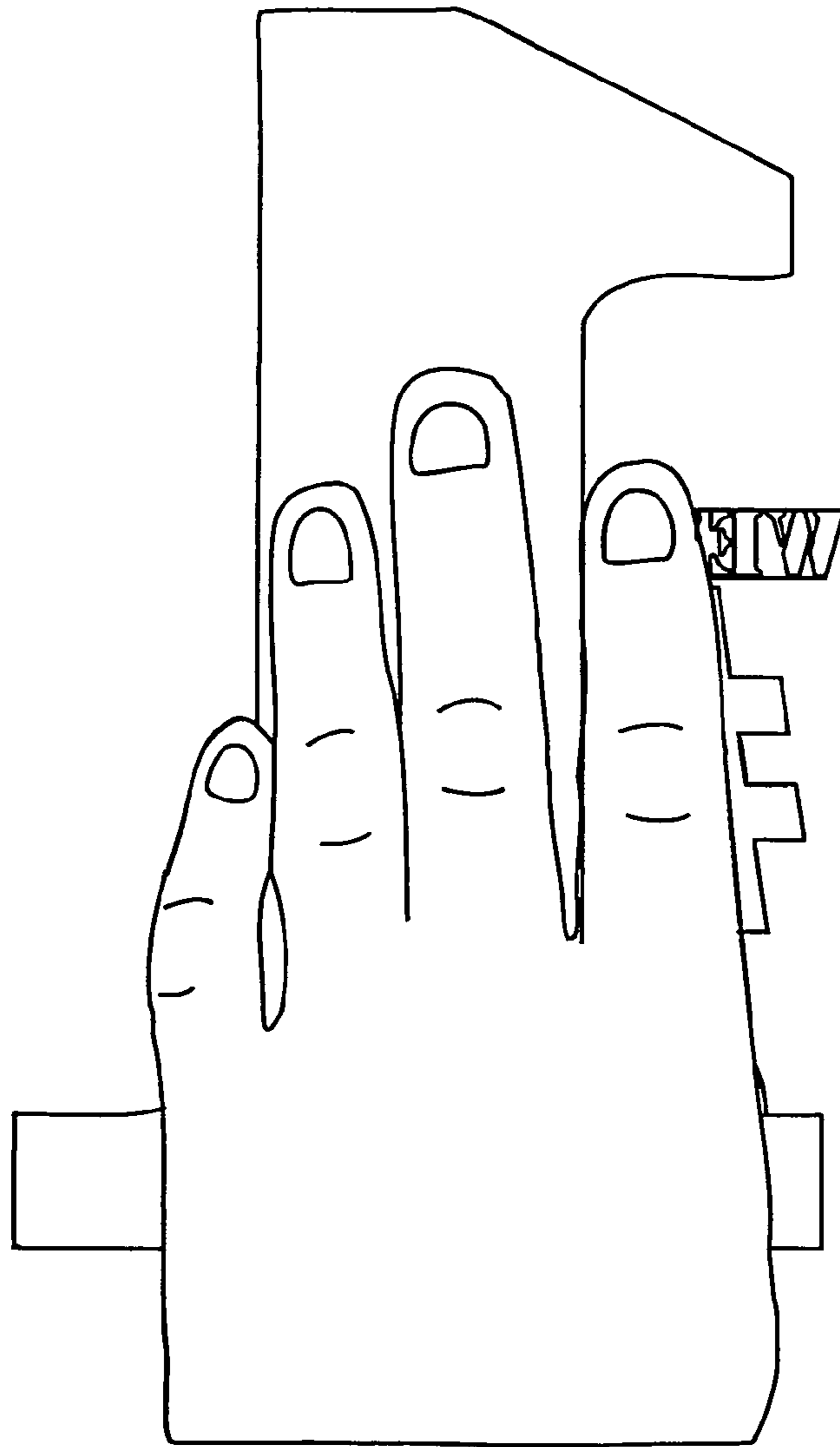


FIG. 2



FIG. 3

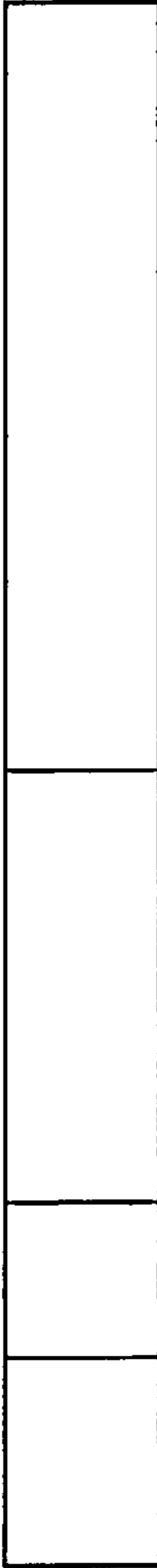


FIG. 4



FIG. 5

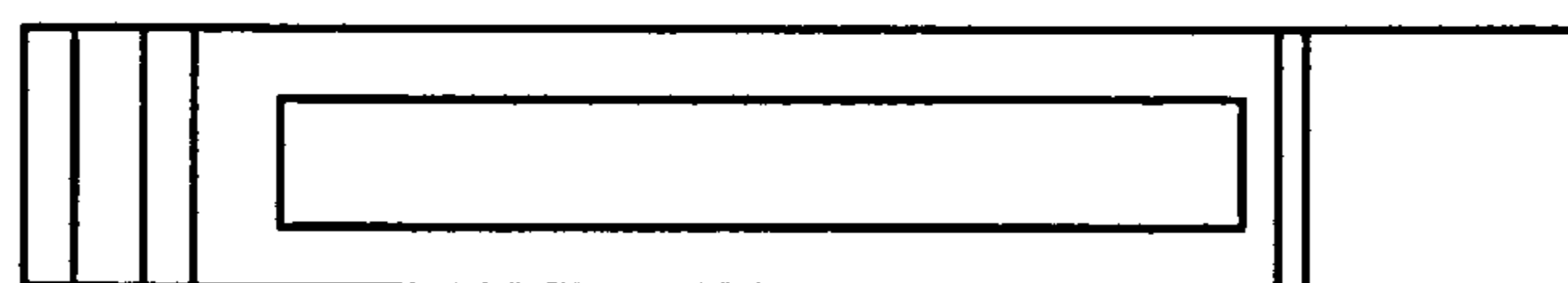


FIG. 6

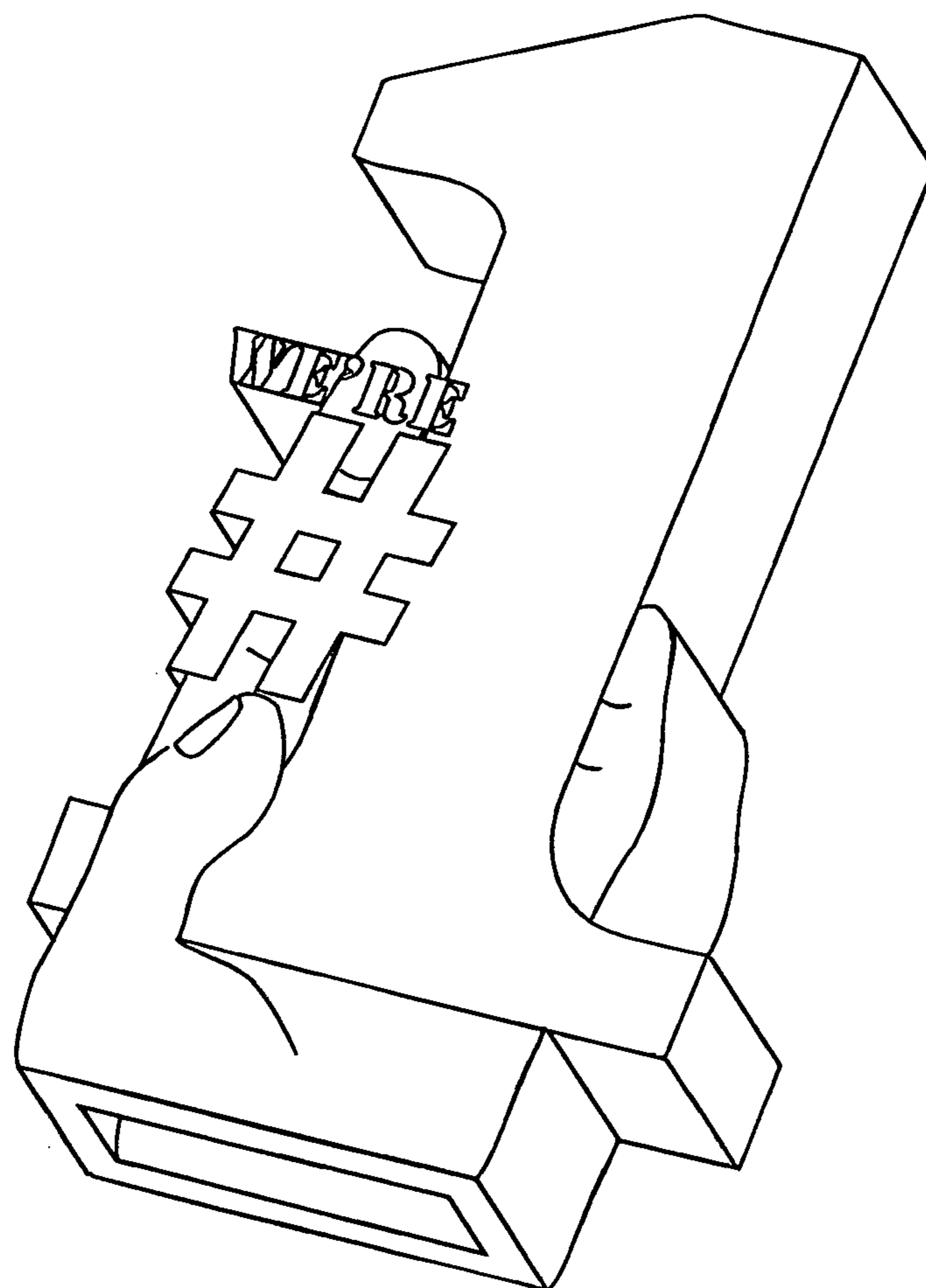


FIG. 7

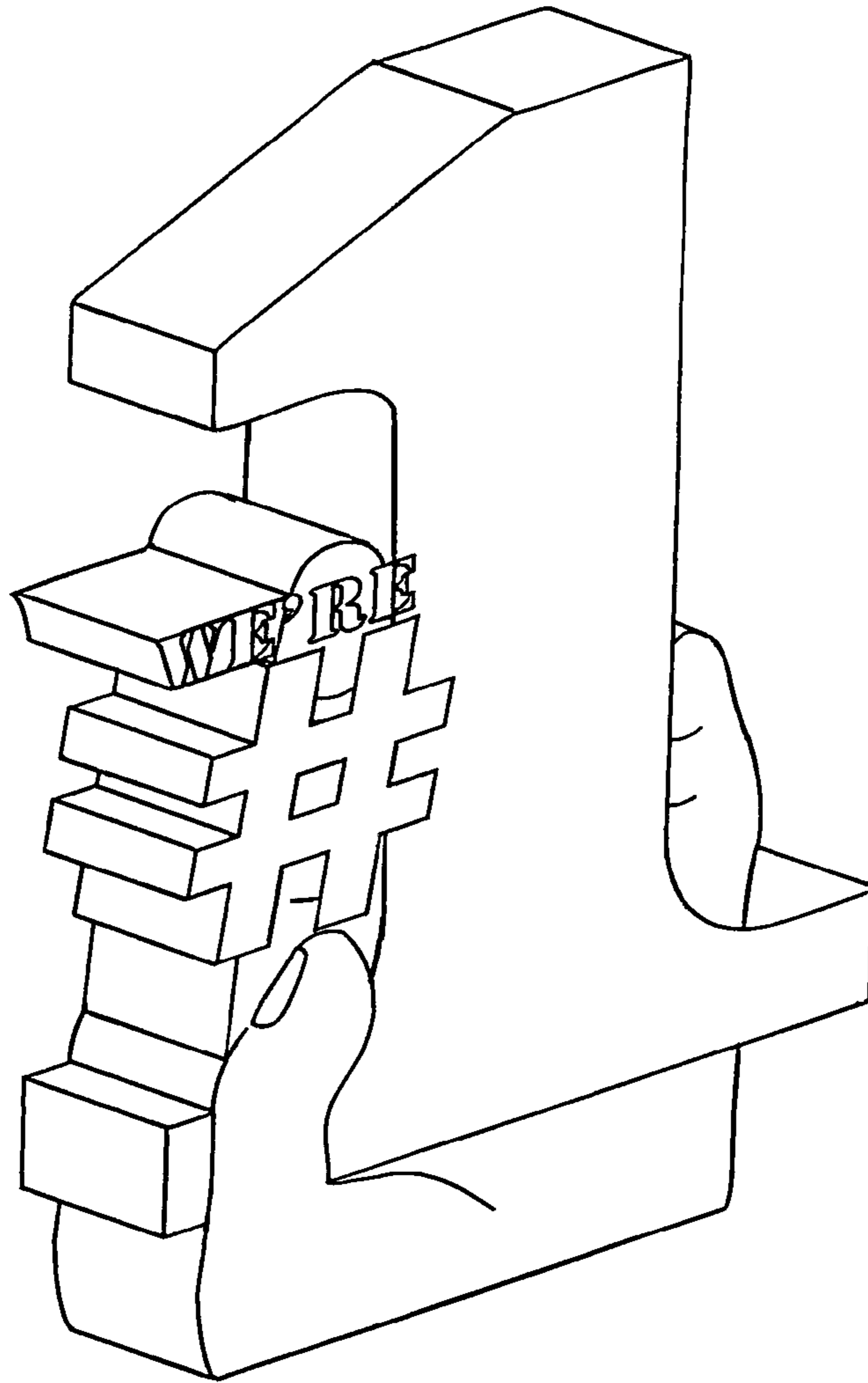


FIG. 8

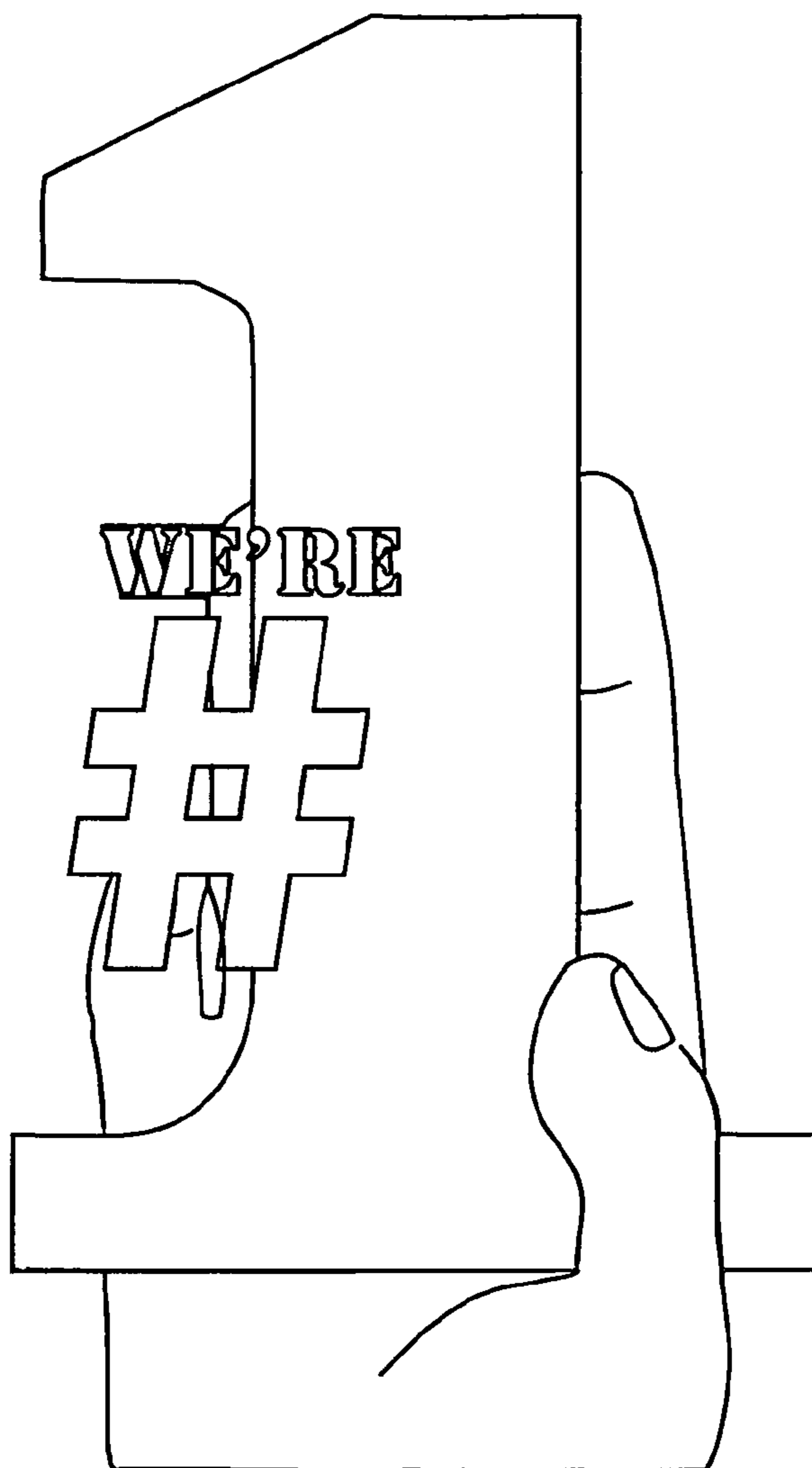


FIG. 9

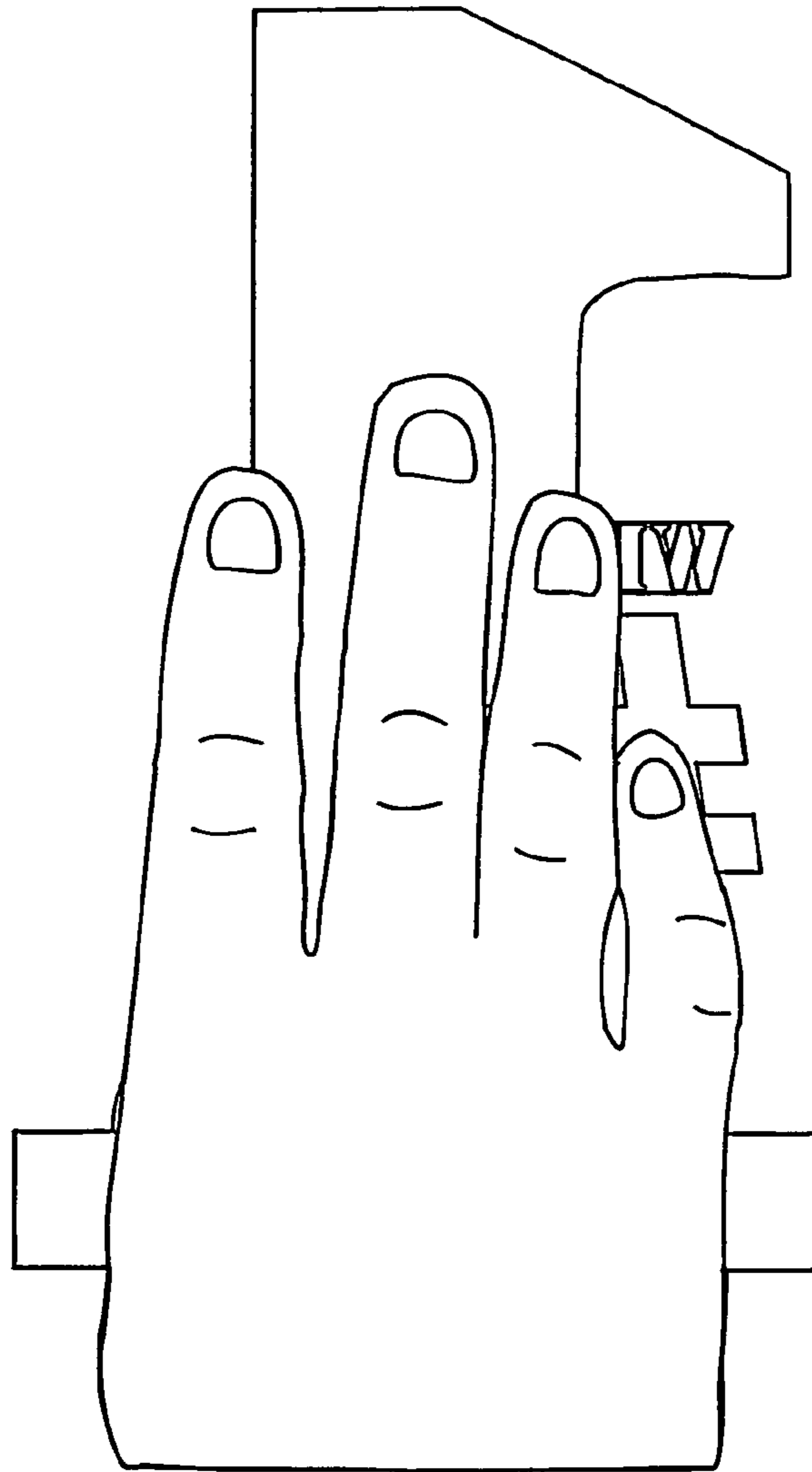


FIG. 10

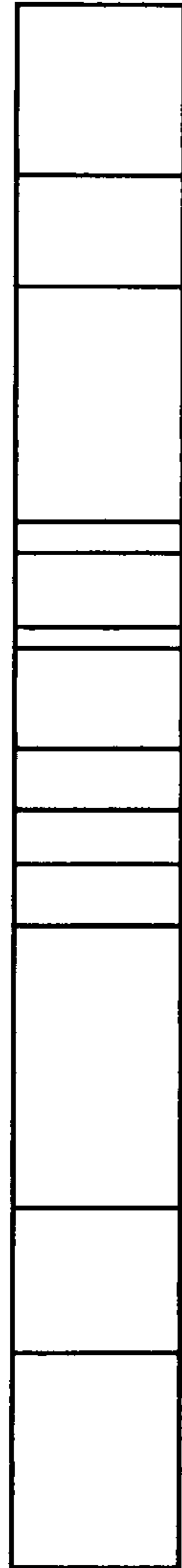


FIG. 11



FIG. 12



FIG. 13

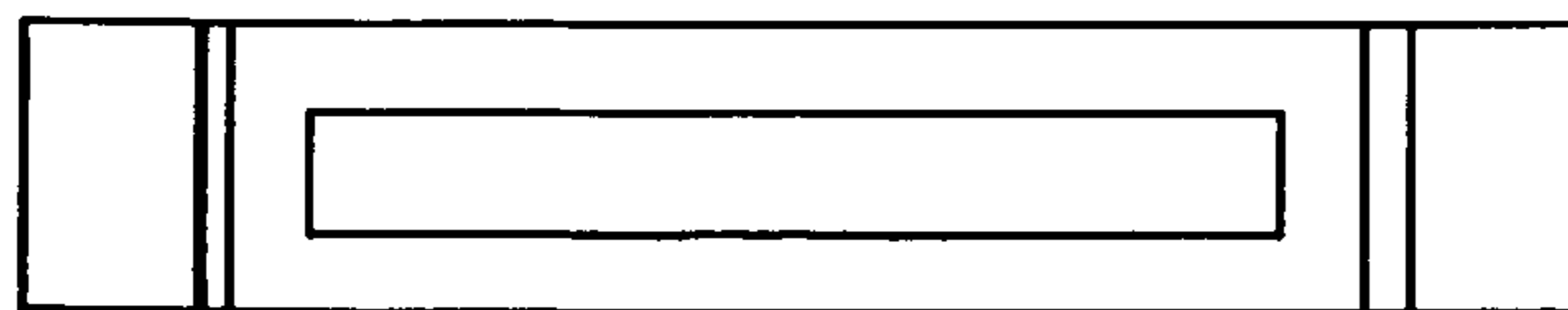


FIG. 14

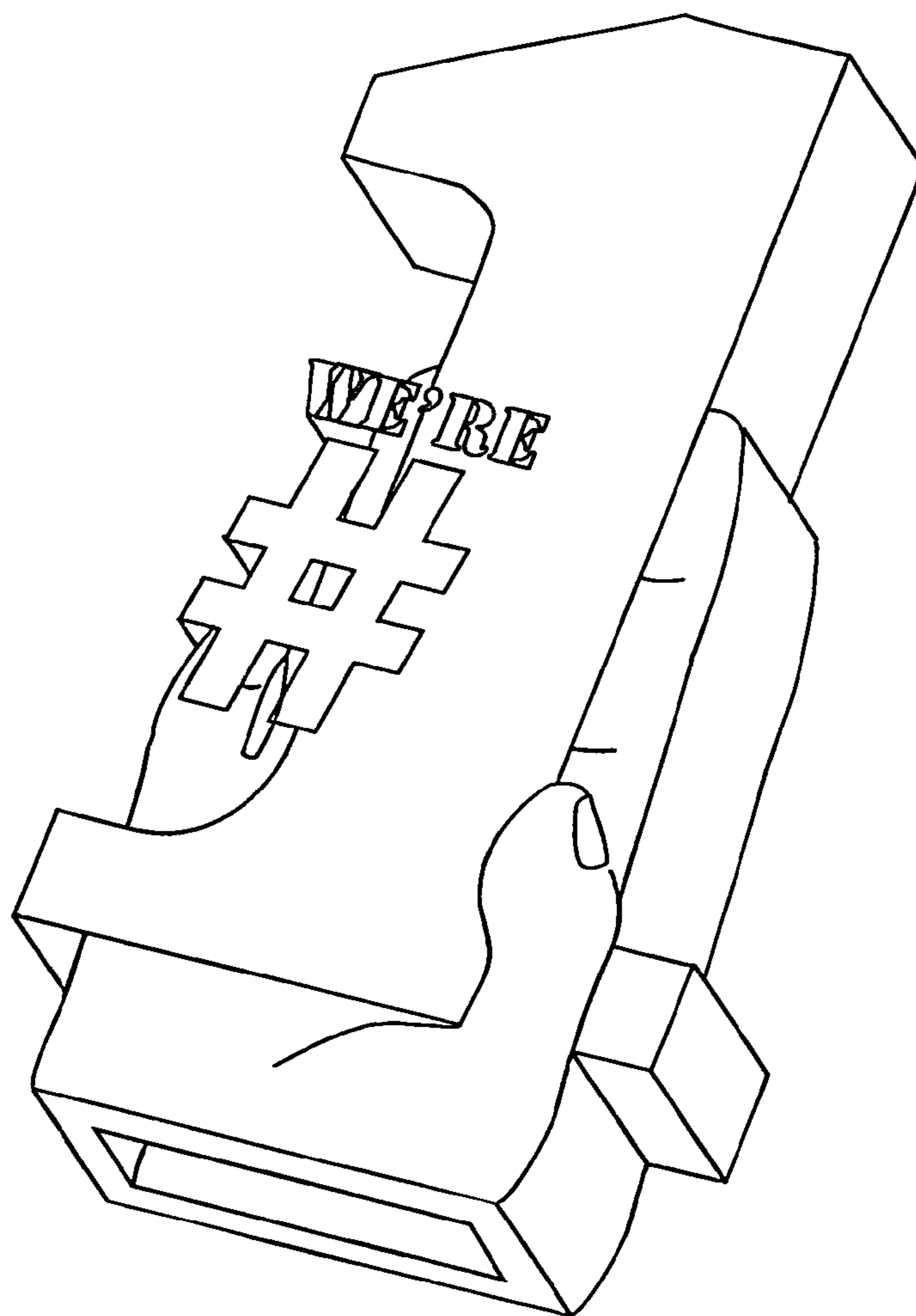


FIG. 15

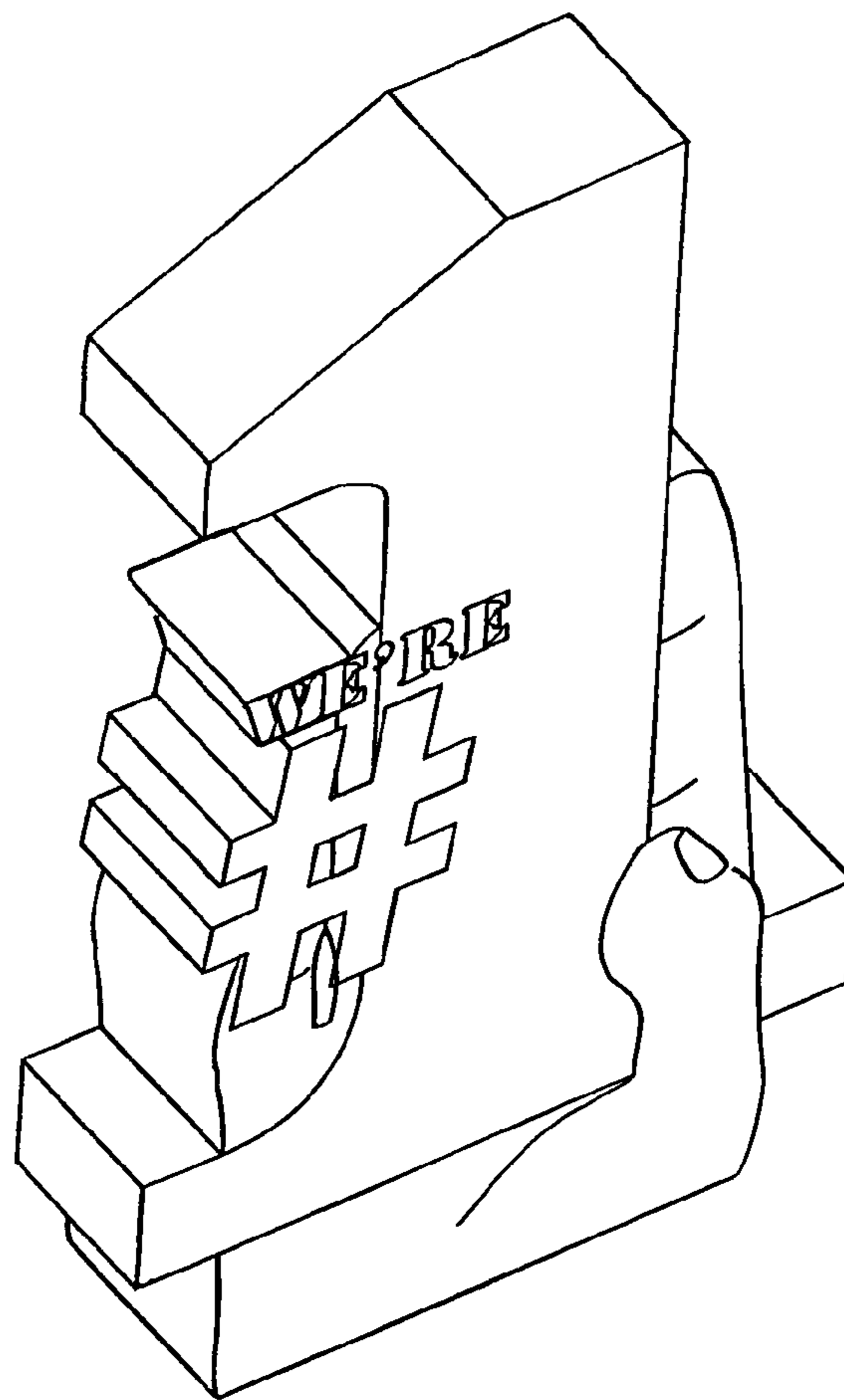


FIG. 16

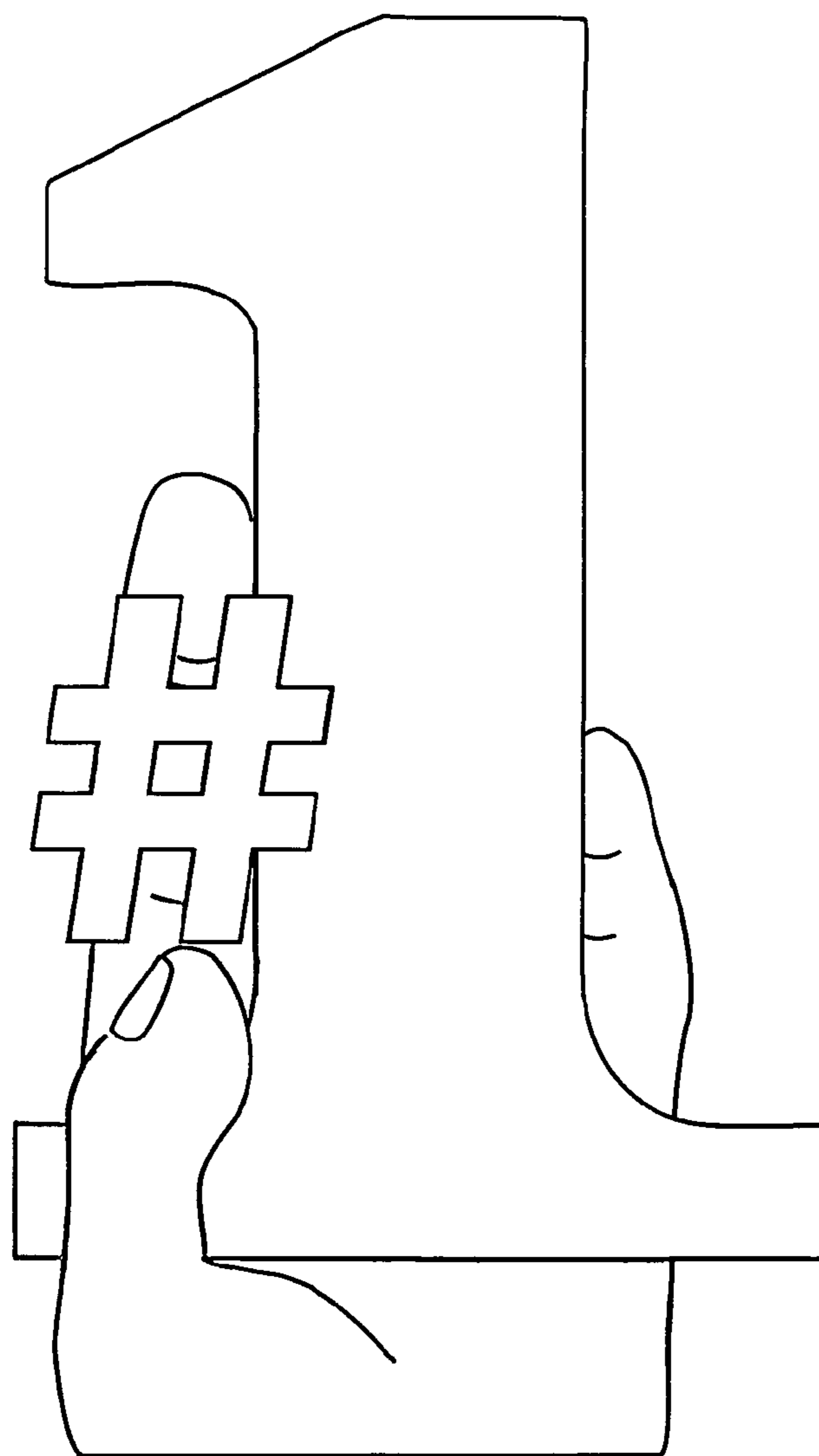


FIG. 17

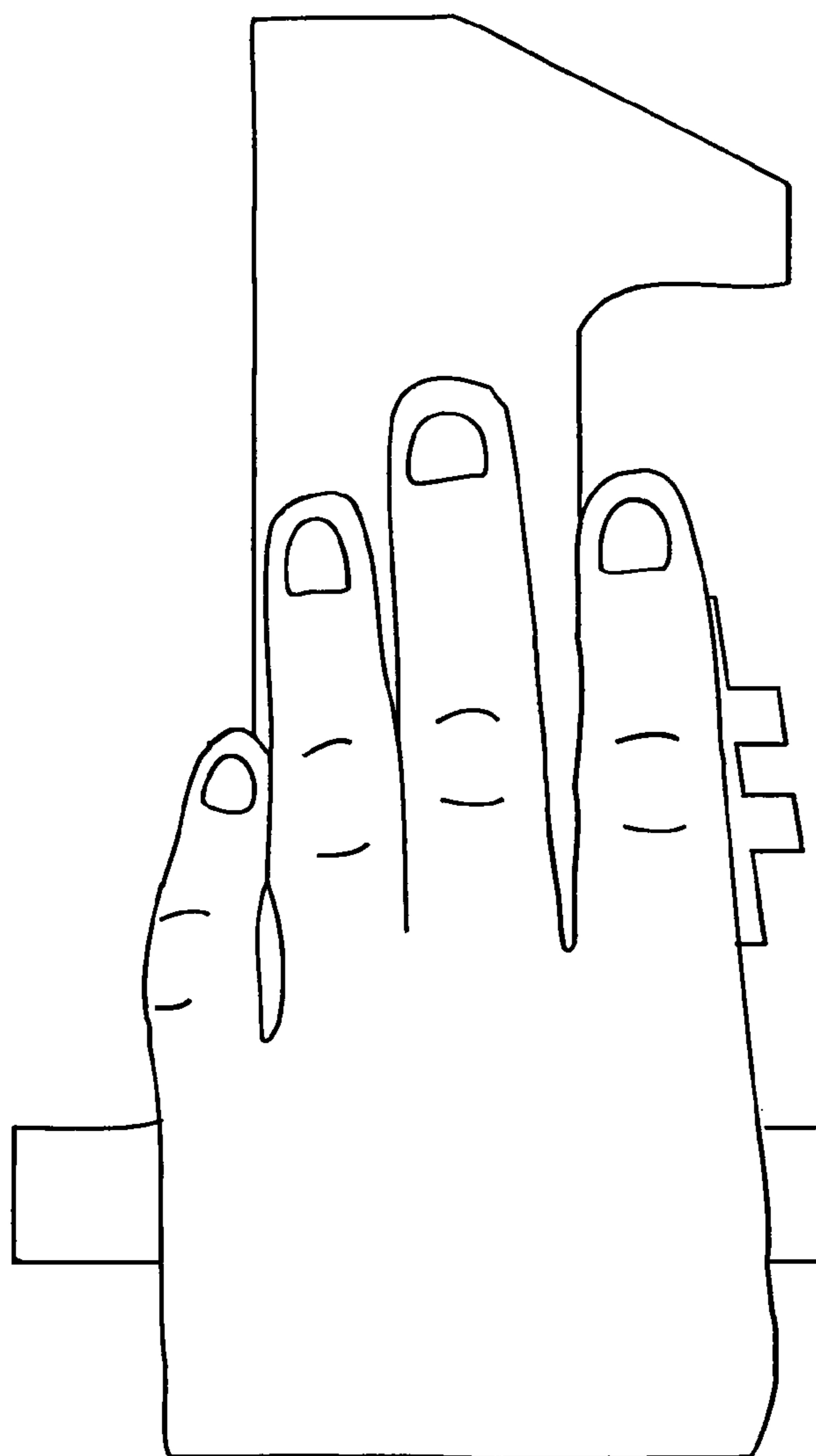


FIG. 18



FIG. 19

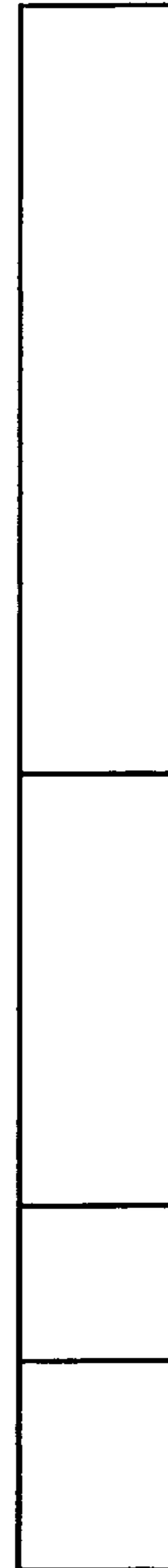


FIG. 20

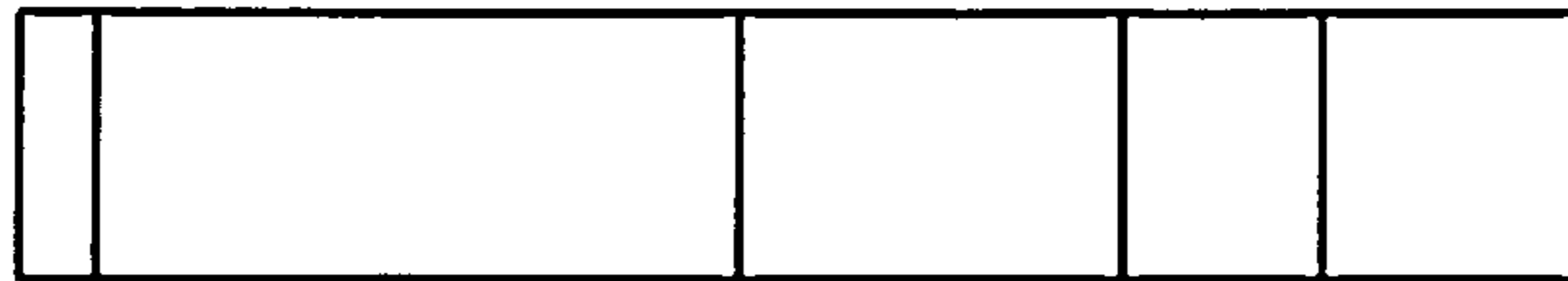


FIG. 21

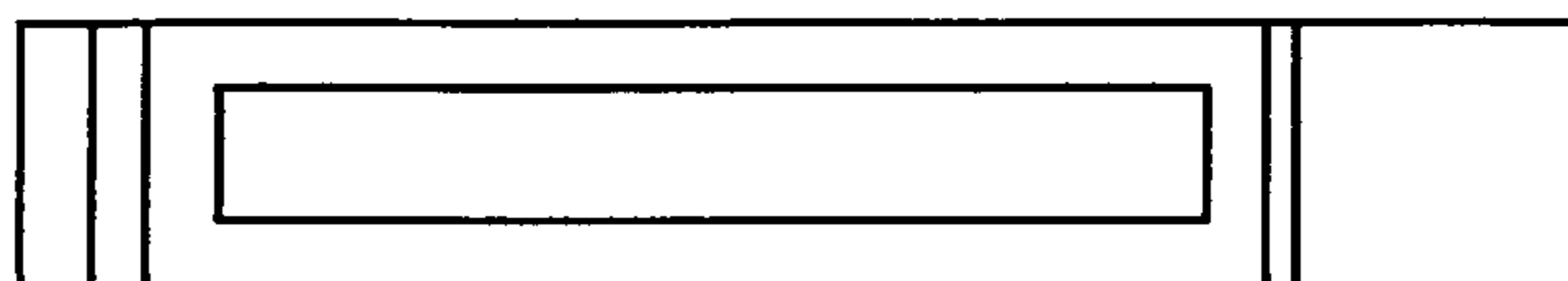


FIG. 22

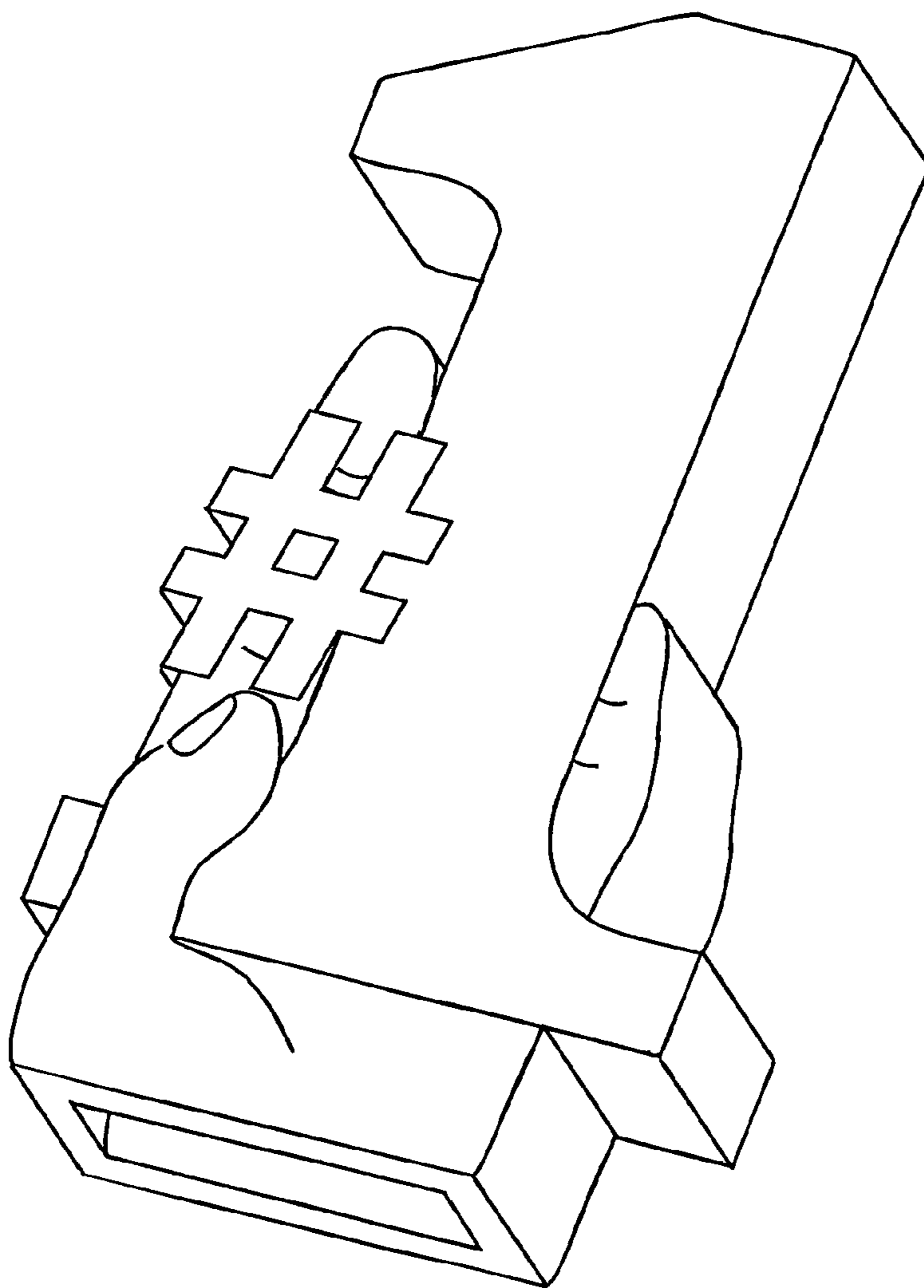


FIG. 23

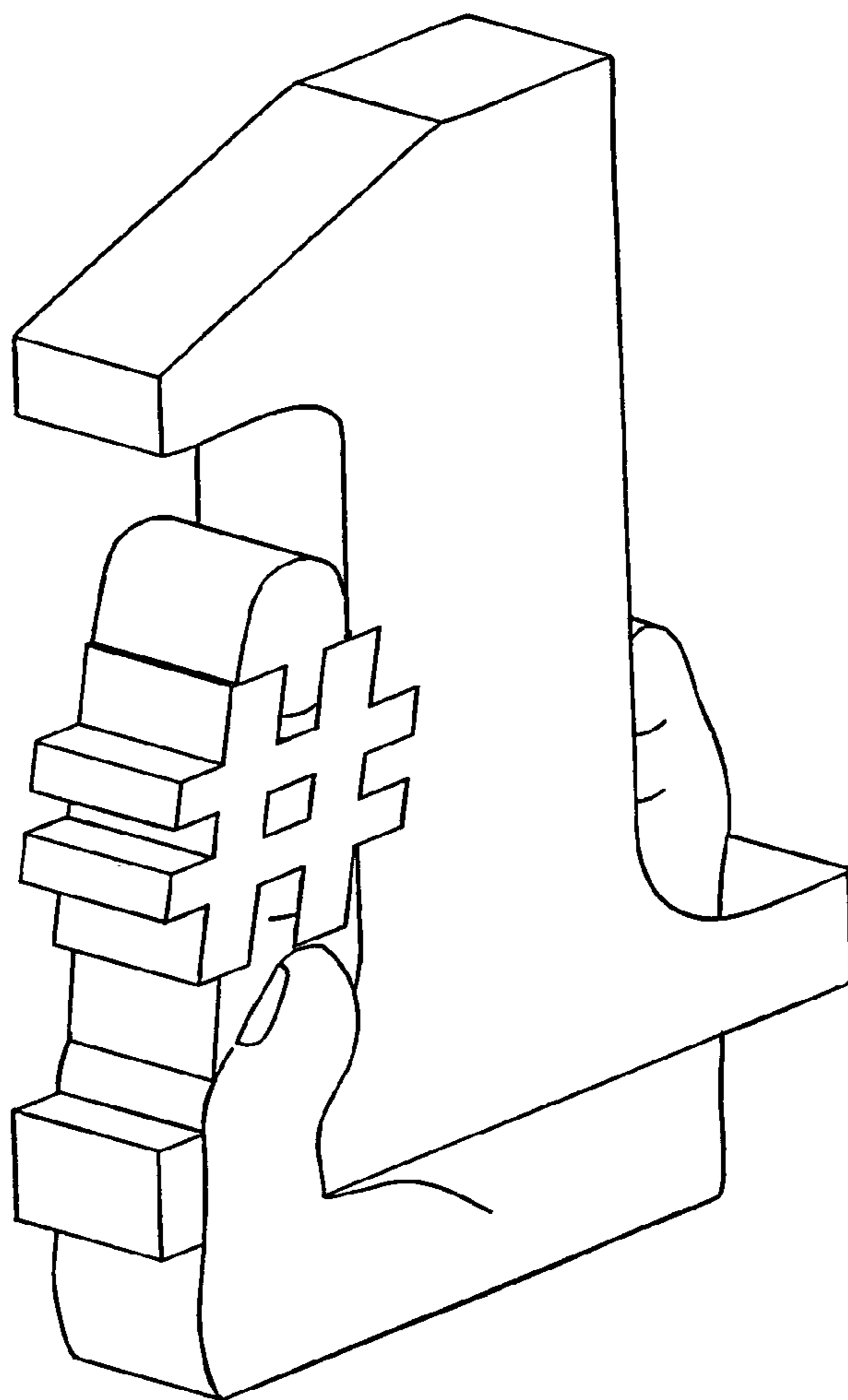


FIG. 24

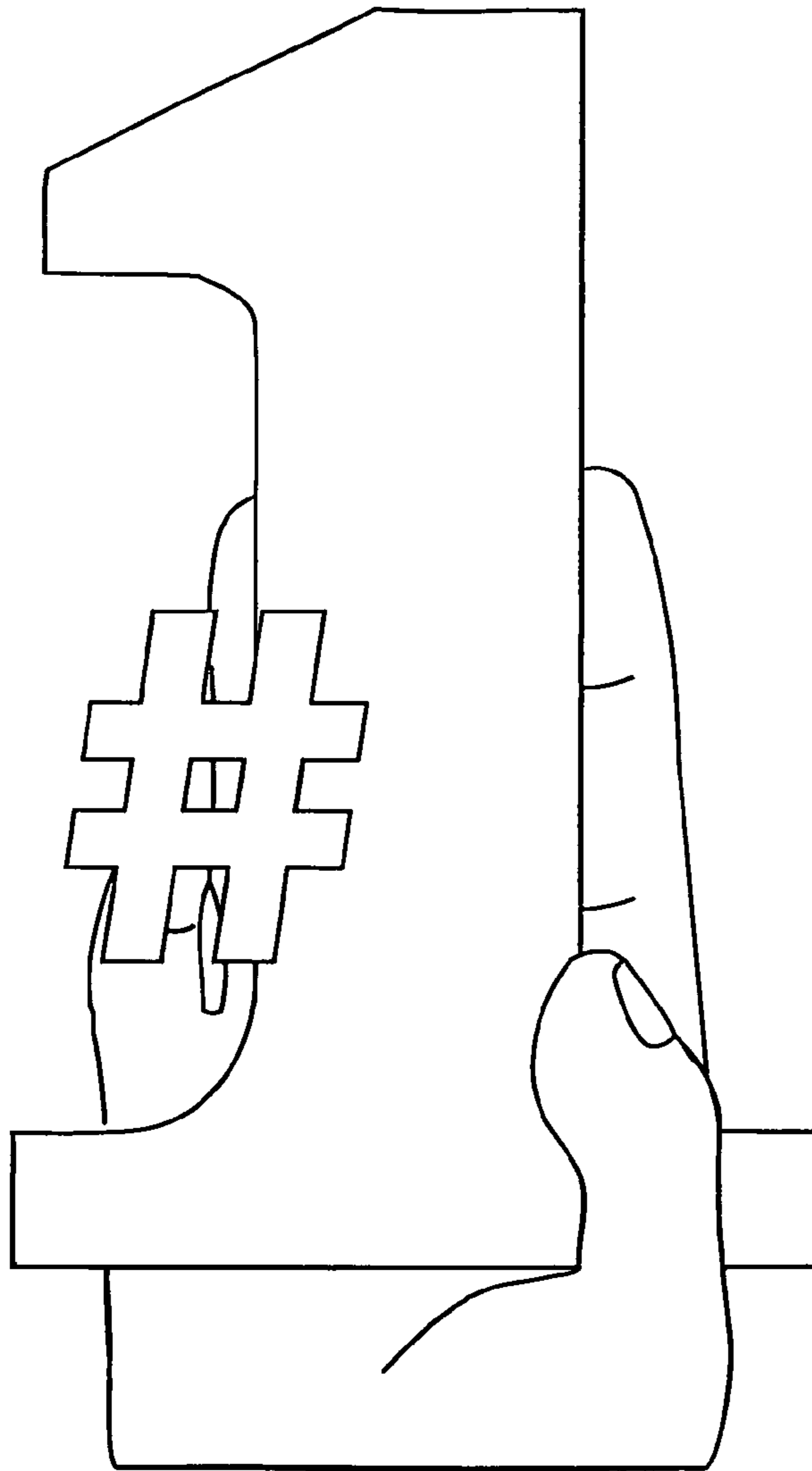


FIG. 25

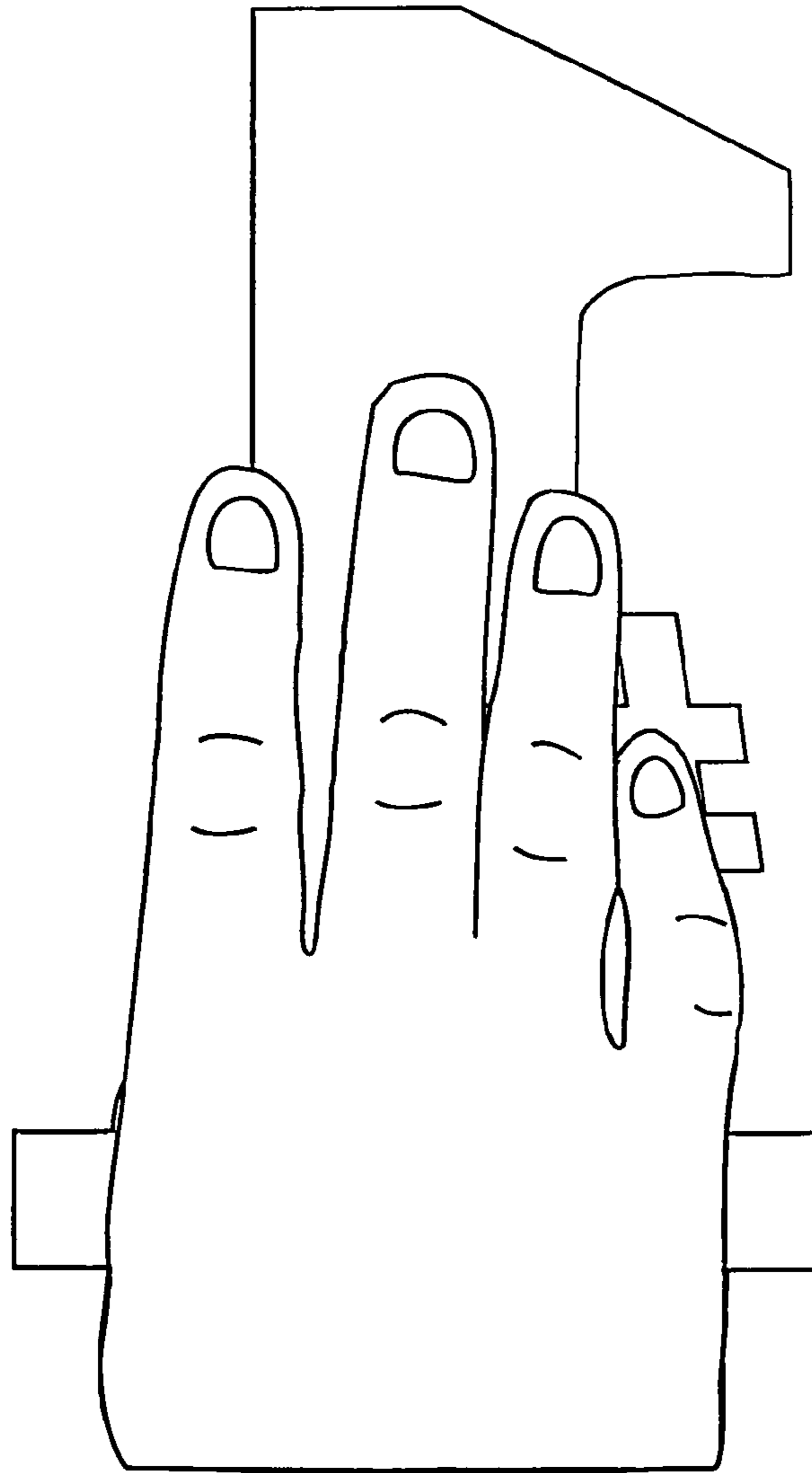


FIG. 26

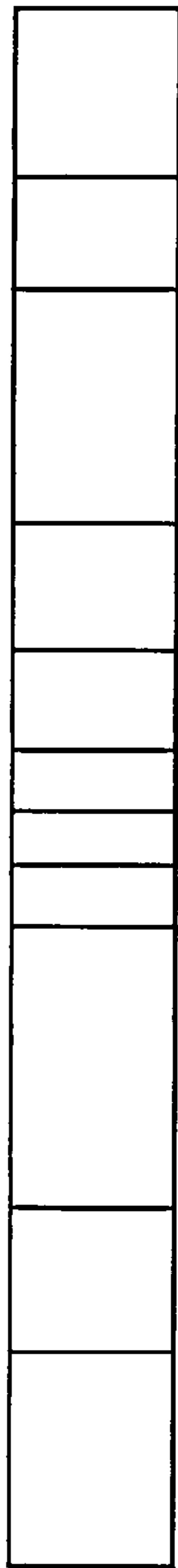


FIG. 27

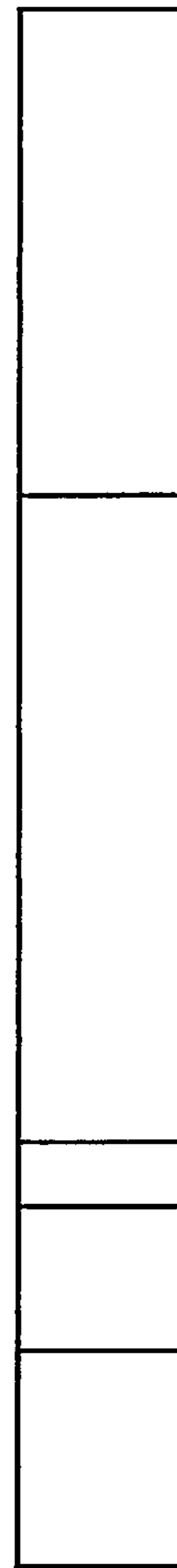


FIG. 28

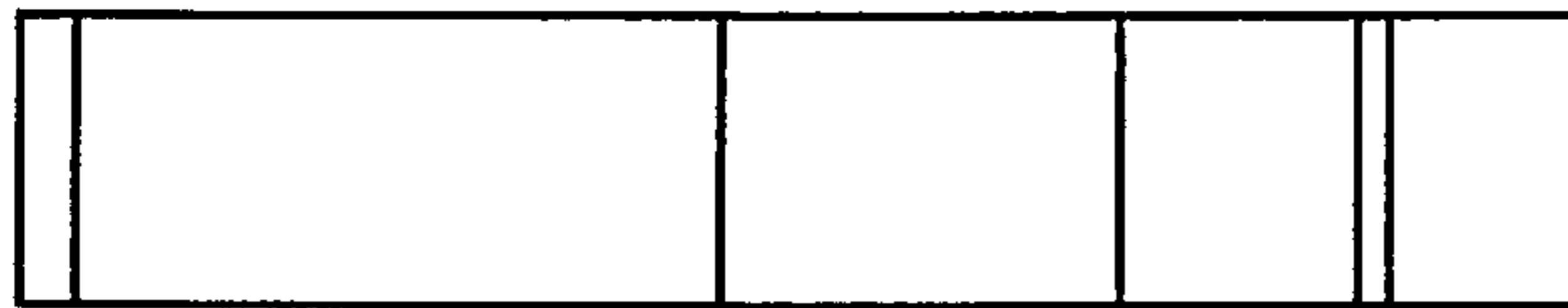


FIG. 29

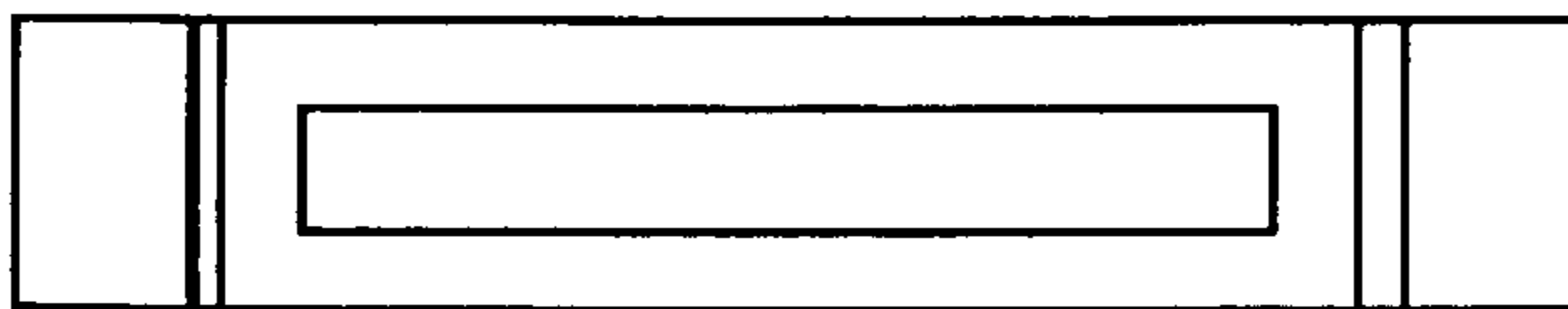


FIG. 30

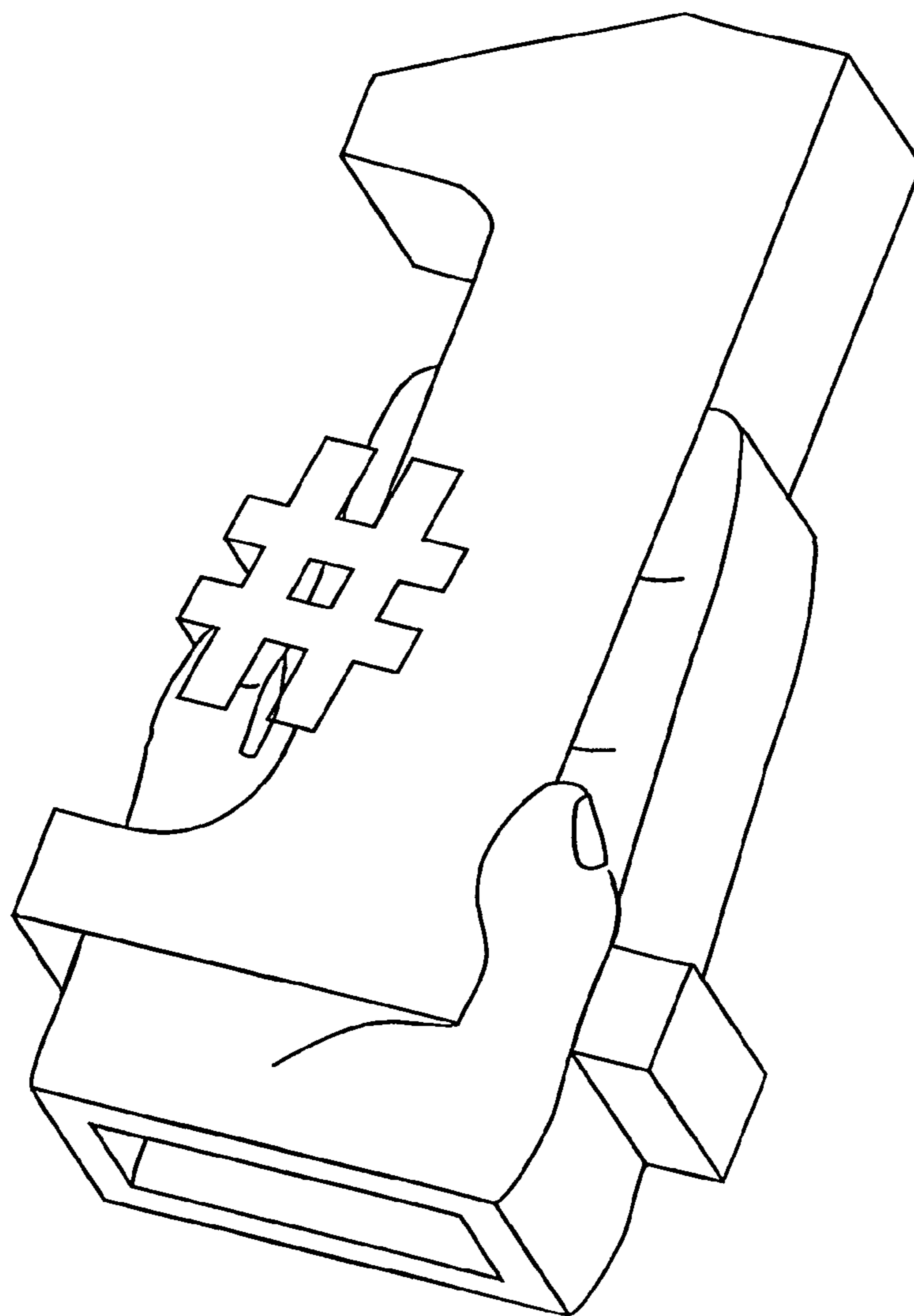


FIG. 31

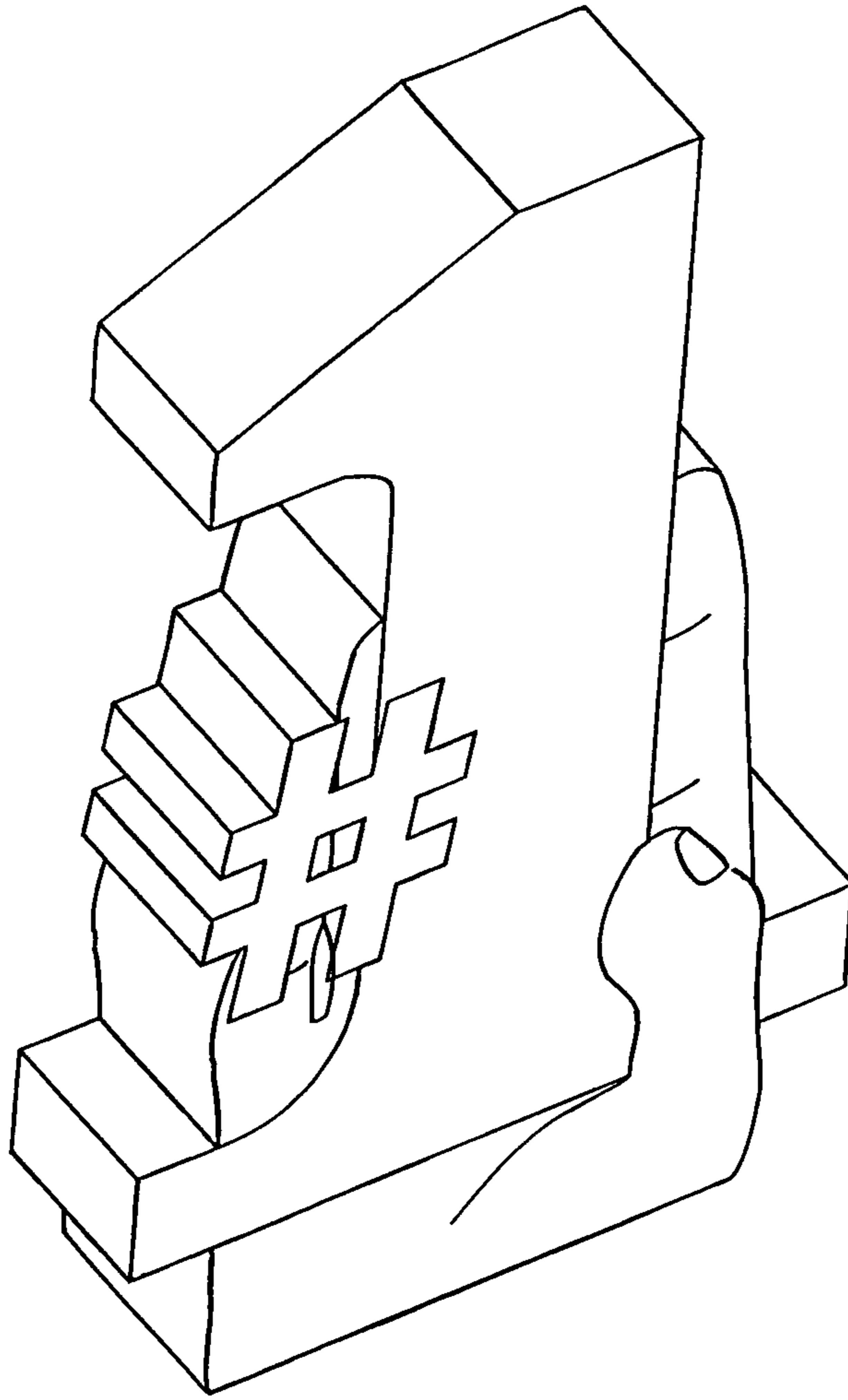


FIG. 32