



US00D703755S

(12) **United States Design Patent**
Joseph et al.

(10) **Patent No.:** **US D703,755 S**
(45) **Date of Patent:** **** Apr. 29, 2014**

(54) **WRISTBAND WITH DETACHABLE LABELS**

(75) Inventors: **Karen Joseph**, Sylmar, CA (US); **Shane Taghavi**, Woodland Hills, CA (US); **Ron Ennis**, Los Angeles, CA (US); **Kim Canchola**, Saugus, CA (US)

(73) Assignee: **Precision Dynamics Corporation**, Valencia, CA (US)

(**) Term: **14 Years**

(21) Appl. No.: **29/417,683**

(22) Filed: **Apr. 6, 2012**

(51) **LOC (10) Cl.** **19-08**

(52) **U.S. Cl.**
USPC **D20/22**; D11/3; D11/5

(58) **Field of Classification Search**
USPC D20/10, 11, 19, 22-28, 40, 99; 40/1.5, 40/6, 27.5, 124.01-124.09, 40/124.11-124.19, 124.191, 299.01, 304, 40/312, 360, 633, 637, 638, 673; D11/3, D11/5; 283/56, 67, 71, 81, 88, 101, 106, 283/107; 428/40.1, 42.1-42.3, 87, 195.1, 428/202, 914

See application file for complete search history.

(56) **References Cited**

U.S. PATENT DOCUMENTS

2,641,074	A	6/1953	Richmond	
3,106,028	A	10/1963	Baumgartner	
3,656,247	A	4/1972	Bushnell et al.	
3,698,383	A	10/1972	Baucom	
3,965,589	A	6/1976	McDermott	
4,226,036	A	10/1980	Krug	
4,233,715	A	11/1980	McDermott	
4,612,718	A	9/1986	Golub et al.	
4,783,917	A *	11/1988	Smith et al.	40/633
5,581,924	A	12/1996	Peterson	
5,979,941	A *	11/1999	Mosher et al.	283/67
6,055,756	A *	5/2000	Aoki	40/633

6,058,637	A	5/2000	Duncan	
D519,871	S *	5/2006	Curtis et al.	D11/3
7,188,764	B2	3/2007	Penuela	
7,197,842	B2	4/2007	Ali	
D543,589	S	5/2007	Henley	
7,454,855	B2	11/2008	Kotik et al.	
7,481,370	B2	1/2009	Davis et al.	
D595,348	S *	6/2009	Joseph	D19/1
7,607,249	B2 *	10/2009	Singleton	40/633
RE41,822	E *	10/2010	Henley	D20/19

(Continued)

FOREIGN PATENT DOCUMENTS

EP	1111568	A1	6/2001
ES	2031417	A6	12/1992
ES	1074859	U	6/2011
WO	2010136612	A1	12/2010

Primary Examiner — Mary Ann Calabrese

(74) *Attorney, Agent, or Firm* — Kelly & Kelley, LLP

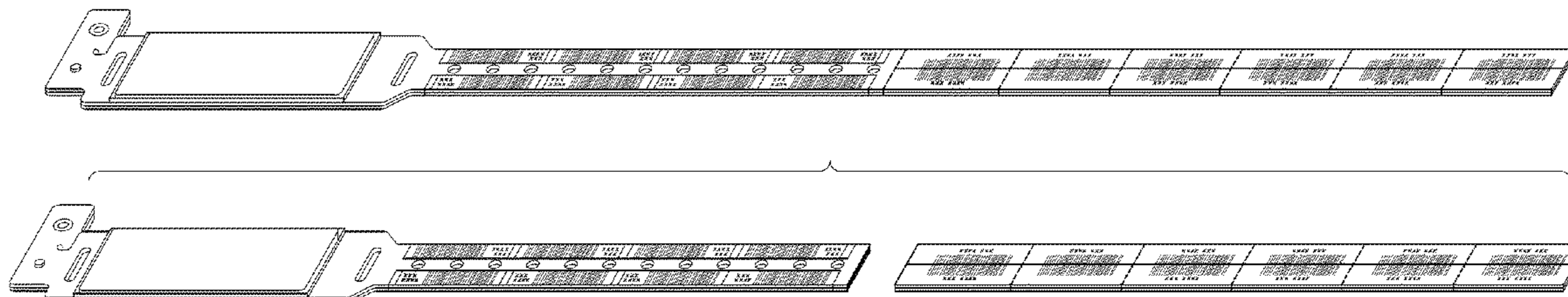
(57) **CLAIM**

The ornamental design for a wristband with detachable labels, as shown and described.

DESCRIPTION

FIG. 1 is a top, front and left side perspective view of a wristband with detachable labels, embodying our new design; FIG. 2 is a top plan view thereof; FIG. 3 is a bottom plan view thereof; FIG. 4 is a rear elevational view thereof; FIG. 5 is a front elevational view thereof; FIG. 6 is a side elevational view thereof; and, FIG. 7 is an opposite side elevational view thereof; FIG. 8 is a top, front and left side perspective view of the wristband shown in FIG. 1, with the detachable labels separated; and, FIG. 9 is a perspective view showing the wristband of FIGS. 1-8 in a normally worn configuration. In the drawings, the broken lines represent perforations.

1 Claim, 2 Drawing Sheets



(56)

References Cited

U.S. PATENT DOCUMENTS

8,028,450	B2	10/2011	Landsman et al.	2005/0091896	A1	5/2005	Kotik et al.	
8,075,210	B2 *	12/2011	Yokoyama 400/621	2005/0184508	A1	8/2005	Verden et al.	
D653,148	S *	1/2012	Bekker D11/3	2006/0230661	A1 *	10/2006	Bekker 40/633	
8,099,889	B2	1/2012	Landsman et al.	2007/0120358	A1	5/2007	Waggoner et al.	
8,117,777	B2	2/2012	Chadwick	2008/0110069	A1 *	5/2008	McDermott et al. 40/633	
D663,229	S	7/2012	Waltersdorf	2009/0282717	A1 *	11/2009	Jain et al. 40/633	
8,296,982	B2	10/2012	Bekker	2010/0043266	A1 *	2/2010	Pedicano 40/633	
8,319,601	B2	11/2012	Gelman et al.	2011/0000114	A1	1/2011	Riley et al.	
8,490,307	B2	7/2013	Landsman et al.	2011/0107637	A1 *	5/2011	Bekker 40/633	
2001/0015553	A1	8/2001	Herreros Rodriguez et al.	2012/0023796	A1	2/2012	Waltersdorf	
				2012/0062368	A1	3/2012	Graells Ferrandez et al.	
				2012/0180351	A1	7/2012	Kalyankar et al.	

* cited by examiner

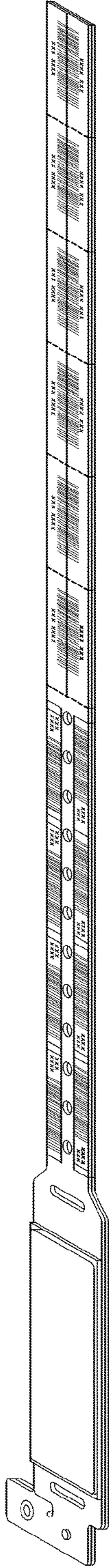


FIG. 1

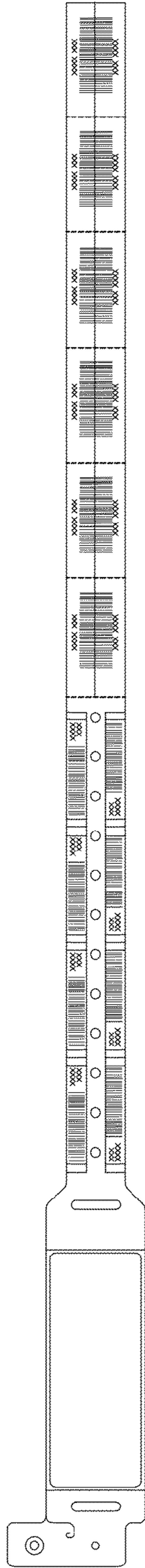


FIG. 2

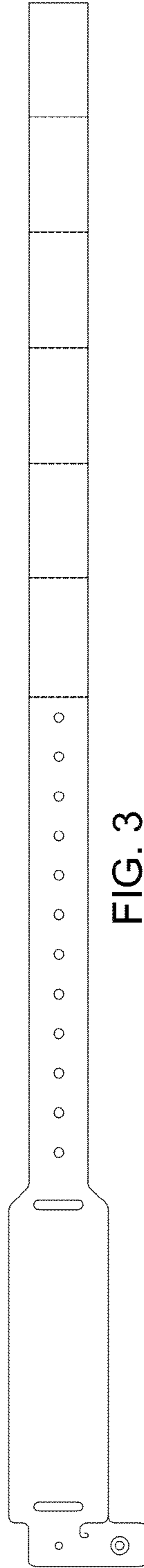


FIG. 3

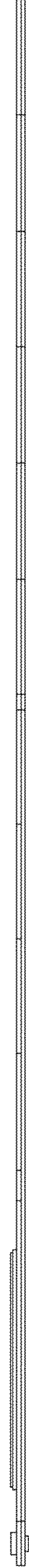


FIG. 4



FIG. 5

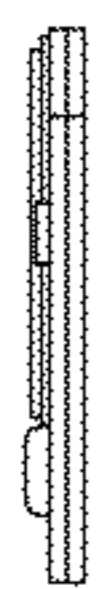


FIG. 6

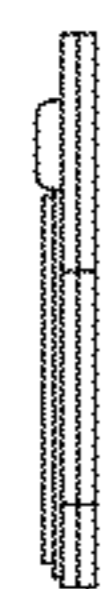


FIG. 7

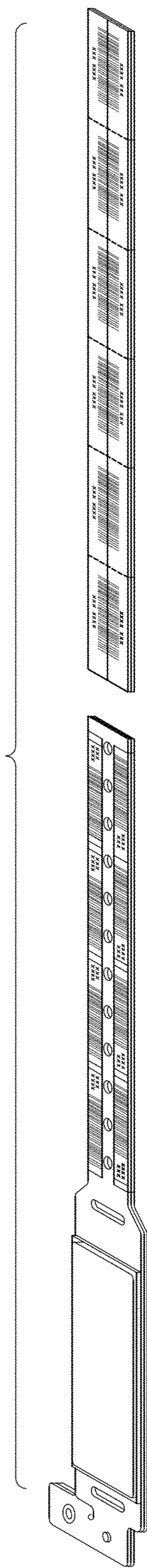


FIG. 8

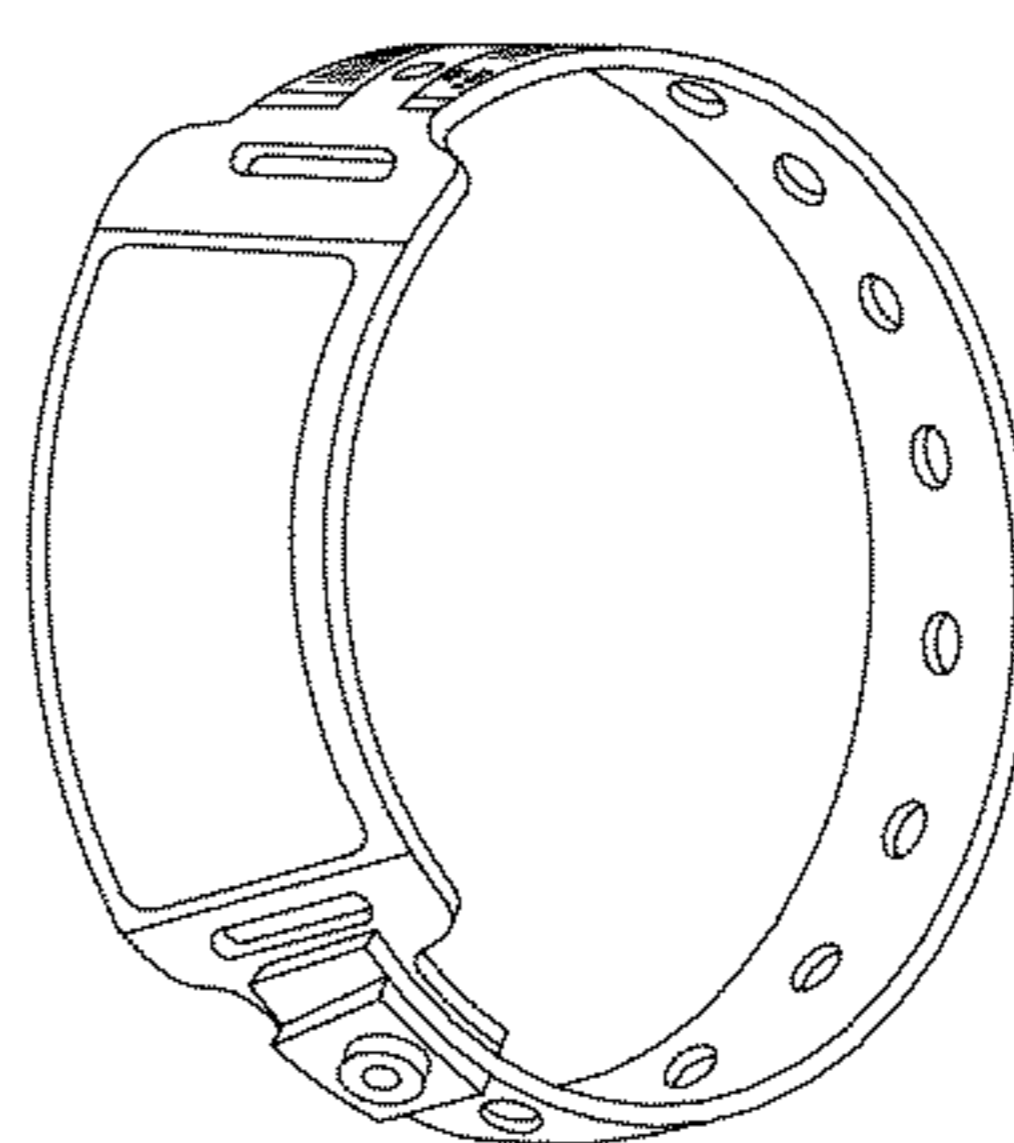


FIG. 9