



US00D703754S

(12) **United States Design Patent**
Logue

(10) **Patent No.:** **US D703,754 S**
(45) **Date of Patent:** **** Apr. 29, 2014**

(54) **VENDING MACHINE**

(71) Applicant: **Logue & Co. Pty , as Trustee for A.T. & L.M. Logue Family Trust, Yowie Bay (AU)**

(72) Inventor: **Anthony Thomas Logue, Yowie Bay (AU)**

(73) Assignee: **Logue and Co. Pty Ltd., Yowie Bay (AU)**

(**) Term: **14 Years**

(21) Appl. No.: **29/456,783**

(22) Filed: **Jun. 4, 2013**

(30) **Foreign Application Priority Data**

Dec. 20, 2012 (AU) 16564/2012
Dec. 21, 2012 (AU) 16651/2012

(51) **LOC (10) Cl.** **20-01**

(52) **U.S. Cl.**
USPC **D20/1**

(58) **Field of Classification Search**

USPC D20/1-9; 221/4, 6, 12, 13, 68, 87, 110, 221/123, 124, 149, 150 R, 150 HC, 150 A, 221/156, 159, 187, 190, 211, 213, 226, 231, 221/251, 279; D6/407, 513-515, 517, 520, D6/540; D7/300, 306-312; D9/415, 433, D9/733; D99/28; 194/236, 239, 350; 206/526; 211/59.1; 222/129, 135, 222/144.5, 181.2, 185.1; 312/9.21, 34.22, 312/45

See application file for complete search history.

(56) **References Cited**

U.S. PATENT DOCUMENTS

2,996,344	A *	8/1961	Garman	312/45
3,529,877	A *	9/1970	Cassidy	312/34.22
D403,576	S *	1/1999	Weiss	D9/734
6,390,337	B1 *	5/2002	Shea	222/181.2
D458,782	S *	6/2002	Shea	D6/513
D471,044	S *	3/2003	Shea	D6/514
D475,227	S *	6/2003	Clarke	D6/520
D545,098	S *	6/2007	Wolfson	D6/520
D640,077	S *	6/2011	Jensen et al.	D6/517
D667,661	S *	9/2012	Norton	D6/520
2001/0010315	A1 *	8/2001	Tomioaka	221/155
2013/0037561	A1 *	2/2013	Wolpow	221/124

* cited by examiner

Primary Examiner — Mary Ann Calabrese

(74) *Attorney, Agent, or Firm* — Sughrue Mion, PLLC

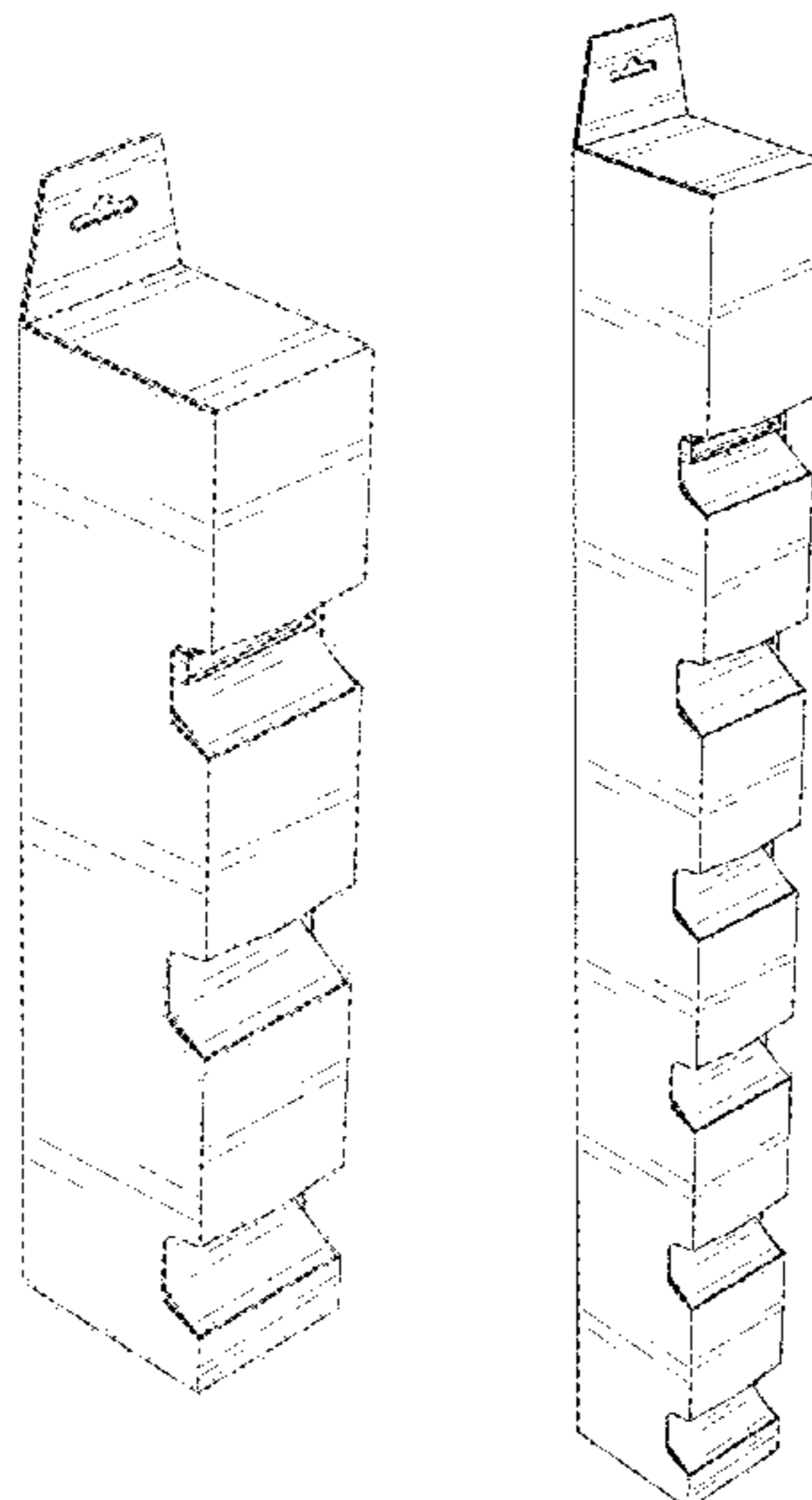
(57) **CLAIM**

The ornamental design for a vending machine, as shown and described.

DESCRIPTION

FIG. 1 is a front perspective view of a first embodiment of my design;
FIG. 2 is a front view thereof;
FIG. 3 is rear view thereof;
FIG. 4 is left side view thereof;
FIG. 5 is right side view thereof;
FIG. 6 is top view thereof;
FIG. 7 is bottom view thereof;
FIG. 8 is a front perspective view of a second embodiment of my design;
FIG. 9 is a front view thereof;
FIG. 10 is rear view thereof;
FIG. 11 is right side view thereof;
FIG. 12 is left side view thereof;
FIG. 13 is top view thereof; and,
FIG. 14 is bottom view thereof.
The features shown in broken lines shown environment only and form no part of the claimed design.

1 Claim, 8 Drawing Sheets



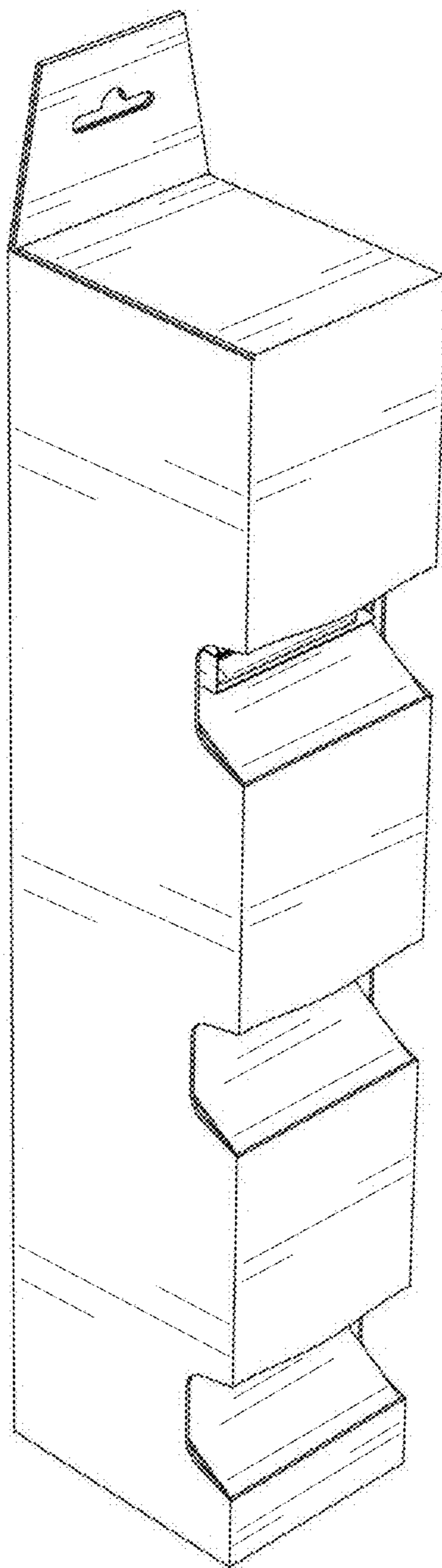


FIG. 1

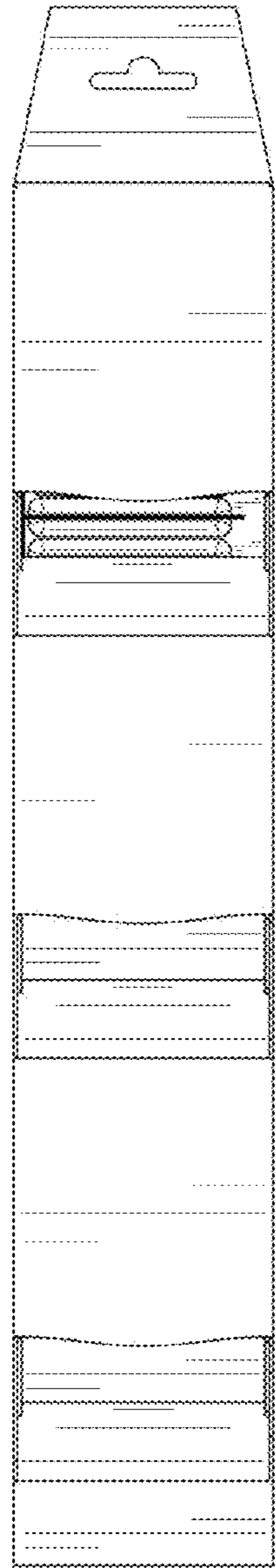


FIG. 2

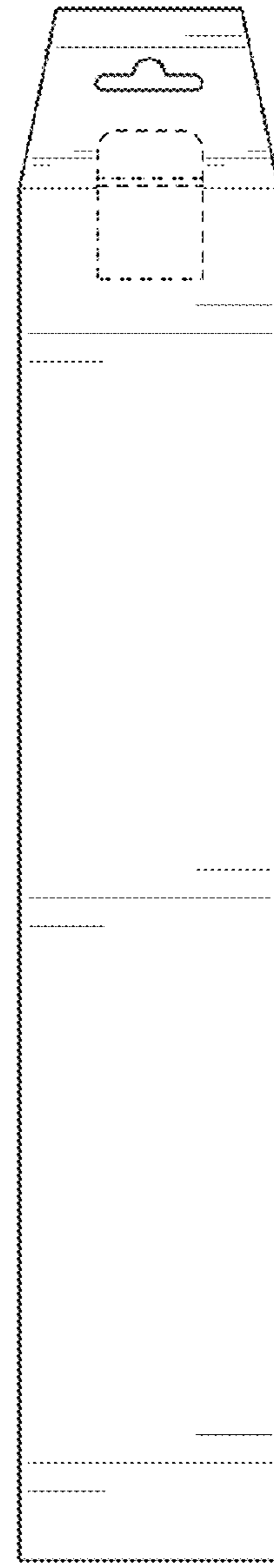


FIG. 3

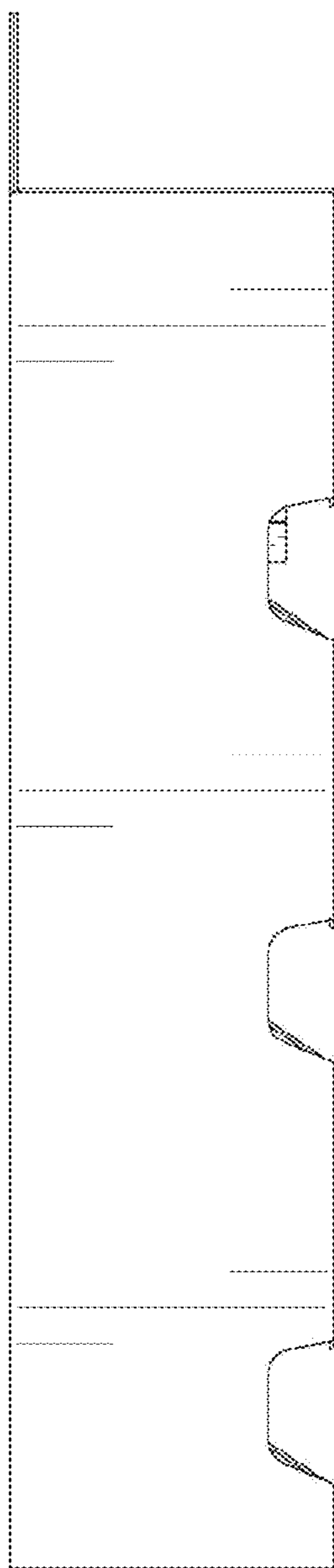


FIG. 4

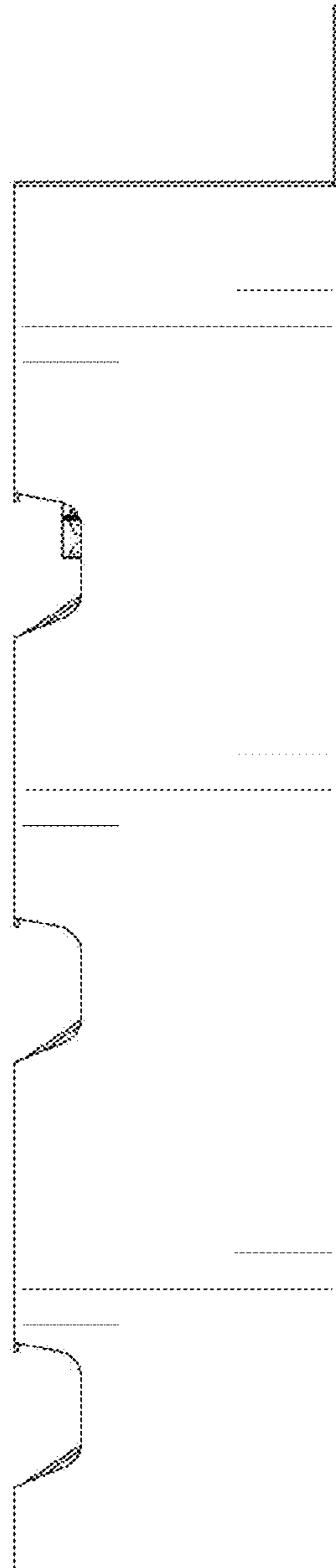


FIG. 5

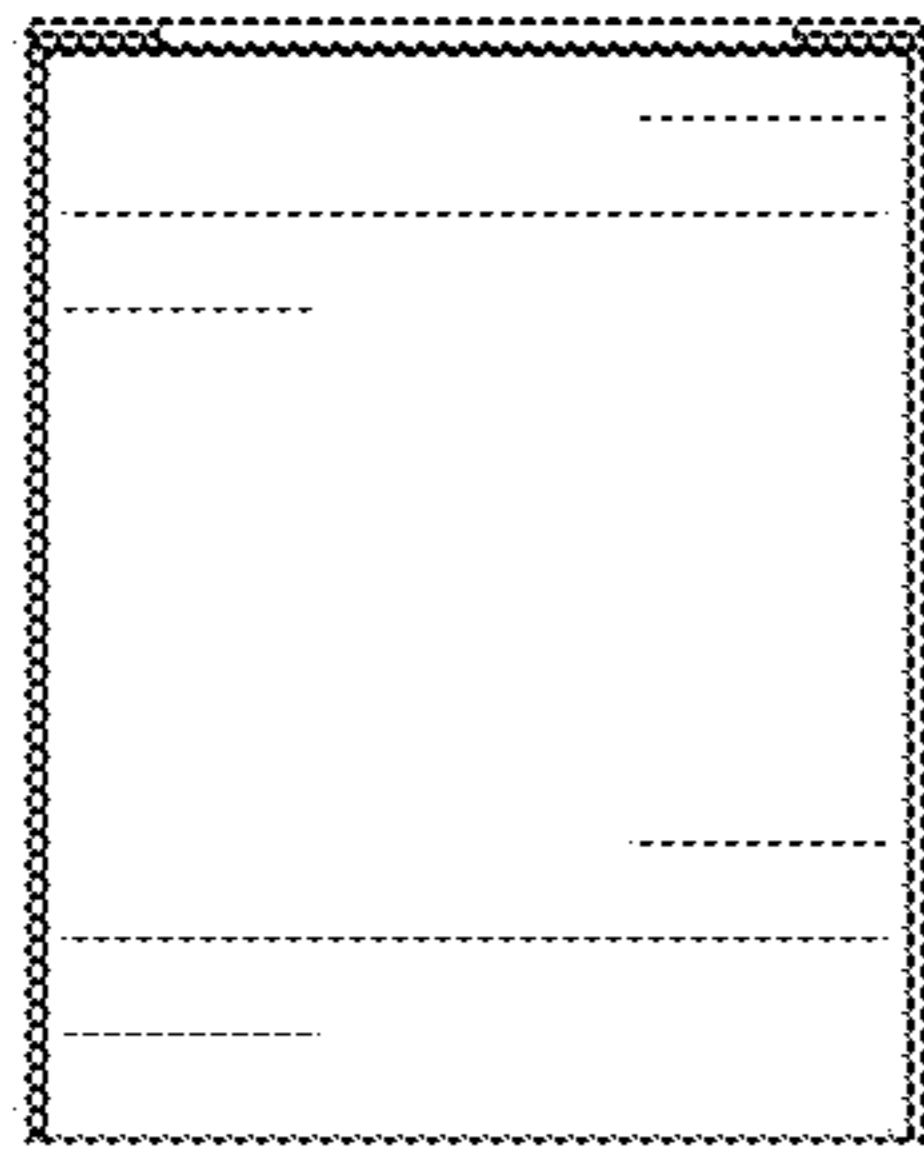


FIG. 6

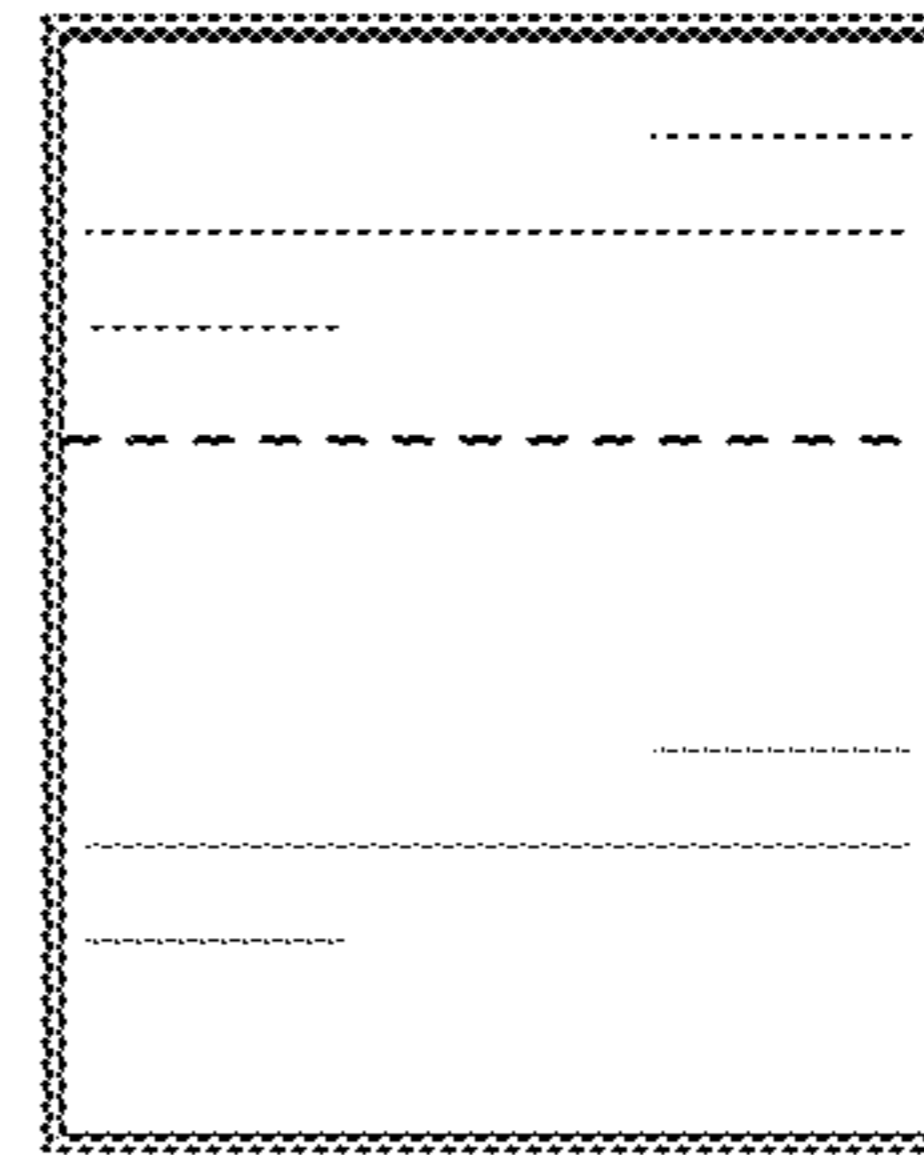


FIG. 7

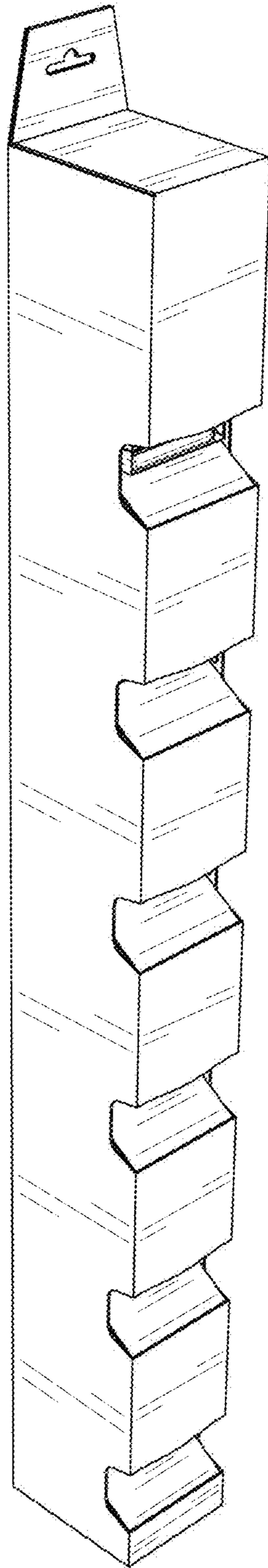


FIG. 8

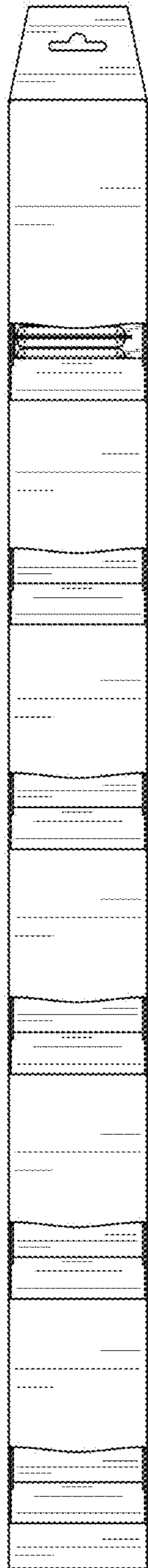


FIG. 9

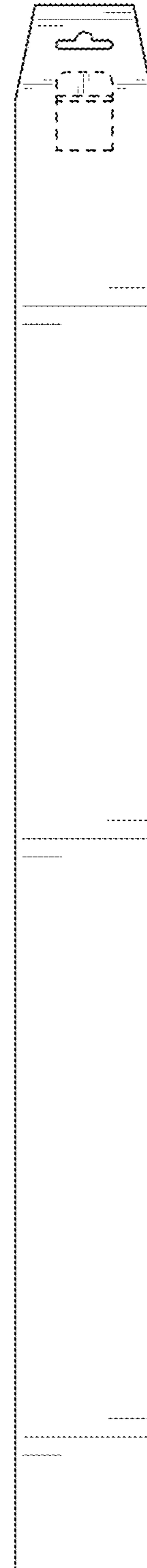


FIG. 10

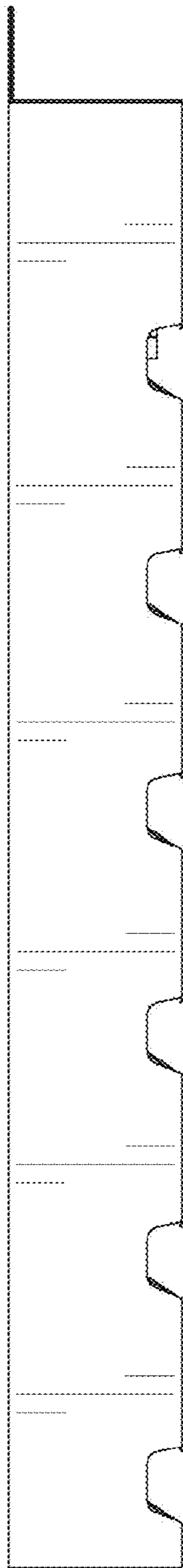


FIG. 11

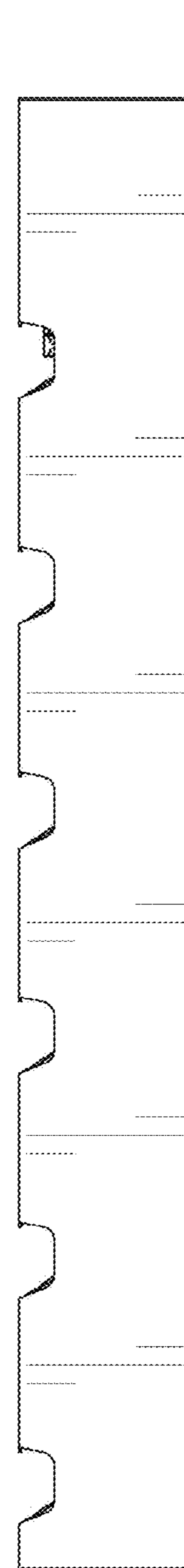


FIG. 12

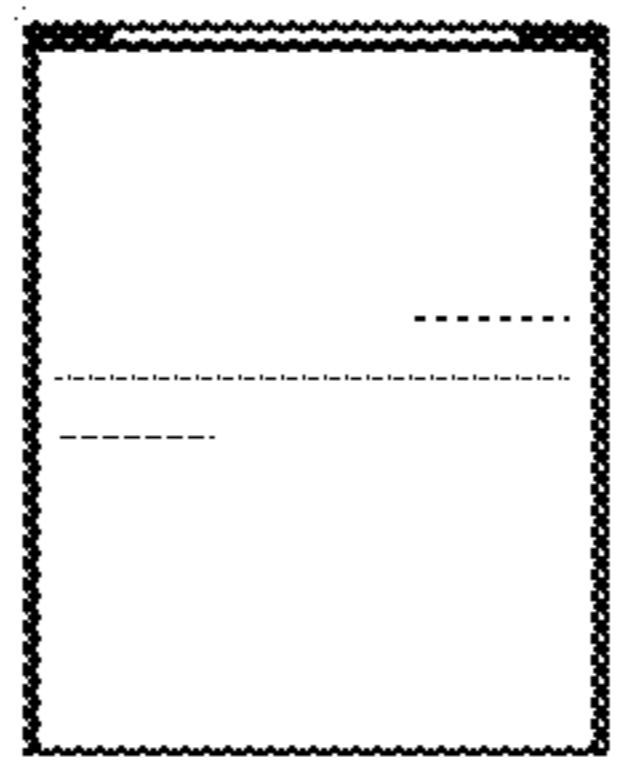


FIG. 13

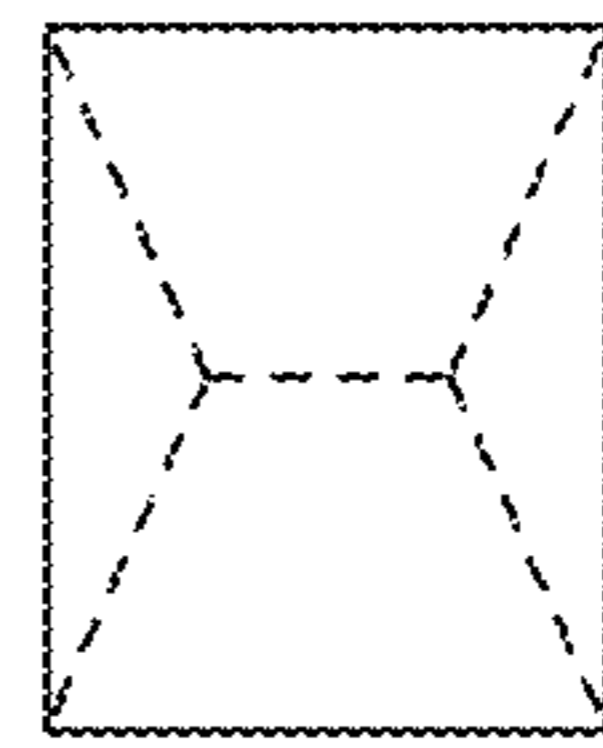


FIG. 14