



US00D703752S

(12) **United States Design Patent**
Logue

(10) **Patent No.:** **US D703,752 S**
(45) **Date of Patent:** **** *Apr. 29, 2014**

(54) **VENDING MACHINE**

(71) Applicant: **Logue and Co. Pty Ltd.**, Yowie Bay (AU)

(72) Inventor: **Anthony Thomas Logue**, Yowie Bay (AU)

(73) Assignee: **Logue & Co. Pty**, Yowie Bay (AU), as trustee for A.T. & L.M. Logue Family Trust

(*) Notice: This patent is subject to a terminal disclaimer.

(**) Term: **14 Years**

(21) Appl. No.: **29/447,420**

(22) Filed: **Mar. 4, 2013**

(30) **Foreign Application Priority Data**

Sep. 7, 2012 (AU) 14441/2012

Sep. 10, 2012 (AU) 14497/2012

(51) **LOC (10) Cl.** **20-01**

(52) **U.S. Cl.**
USPC **D20/1**

(58) **Field of Classification Search**

USPC D20/1-9; 221/4, 6, 12, 13, 68, 87, 110, 221/123, 124, 149, 150 R, 150 HC, 150 A, 221/156, 159, 187, 190, 211, 213, 226, 251, 221/279; D6/407, 513-515, 517, 520, 540; D7/300, 306-312; D9/415, 433, 733; D99/25; 194/236, 239, 350, 351; 206/526; 211/59.2; 222/129, 135, 222/144.5, 185.1, 185.2; 312/9.21, 34.22, 312/45

See application file for complete search history.

(56) **References Cited**

U.S. PATENT DOCUMENTS

902,347 A * 10/1908 Tillinghast 221/305
2,996,344 A * 8/1961 Garman 312/45

3,529,877 A * 9/1970 Cassidy 312/34.22
4,801,045 A * 1/1989 Barnhart 221/305
5,143,252 A * 9/1992 Shi 221/185
5,337,876 A * 8/1994 McGee et al. 194/236
D381,850 S * 8/1997 Alig et al. D6/517
D533,464 S * 12/2006 Wolpow D9/733
D537,734 S * 3/2007 Wolpow D9/733
D543,400 S * 5/2007 Ho D6/515
D631,343 S * 1/2011 Blunck D9/433
2003/0218023 A1 * 11/2003 Zangari et al. 221/150 R

* cited by examiner

Primary Examiner — Mary Ann Calabrese

(74) *Attorney, Agent, or Firm* — Sughrue Mion, PLLC

(57) **CLAIM**

The ornamental design for a vending machine, as shown and described.

DESCRIPTION

FIG. 1 is a front perspective view of a first embodiment of my design;

FIG. 2 is a front view thereof;

FIG. 3 is rear view thereof;

FIG. 4 is right side view thereof;

FIG. 5 is left side view thereof;

FIG. 6 is top view thereof;

FIG. 7 is bottom view thereof;

FIG. 8 is a front perspective view of a second embodiment of my design;

FIG. 9 is a front view thereof;

FIG. 10 is rear view thereof;

FIG. 11 is right side view thereof;

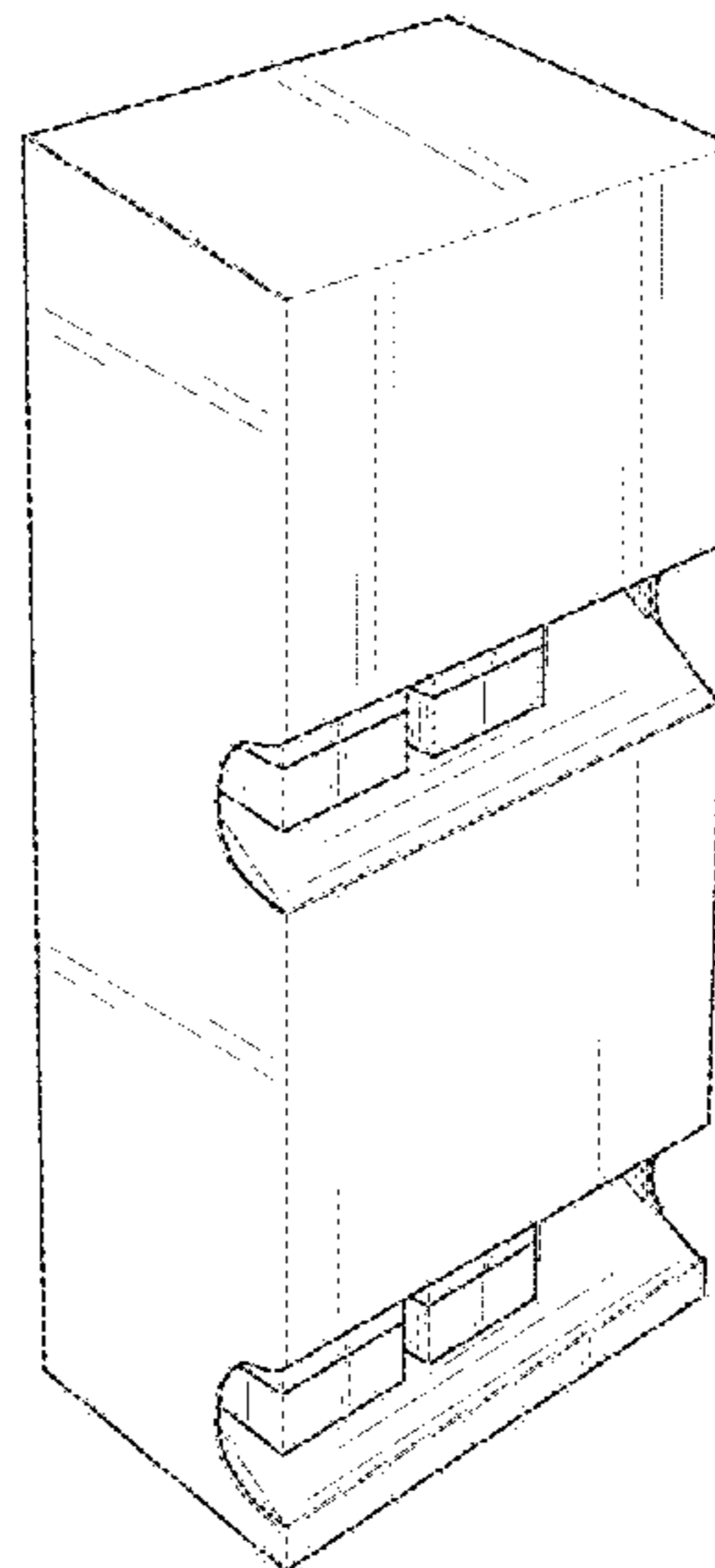
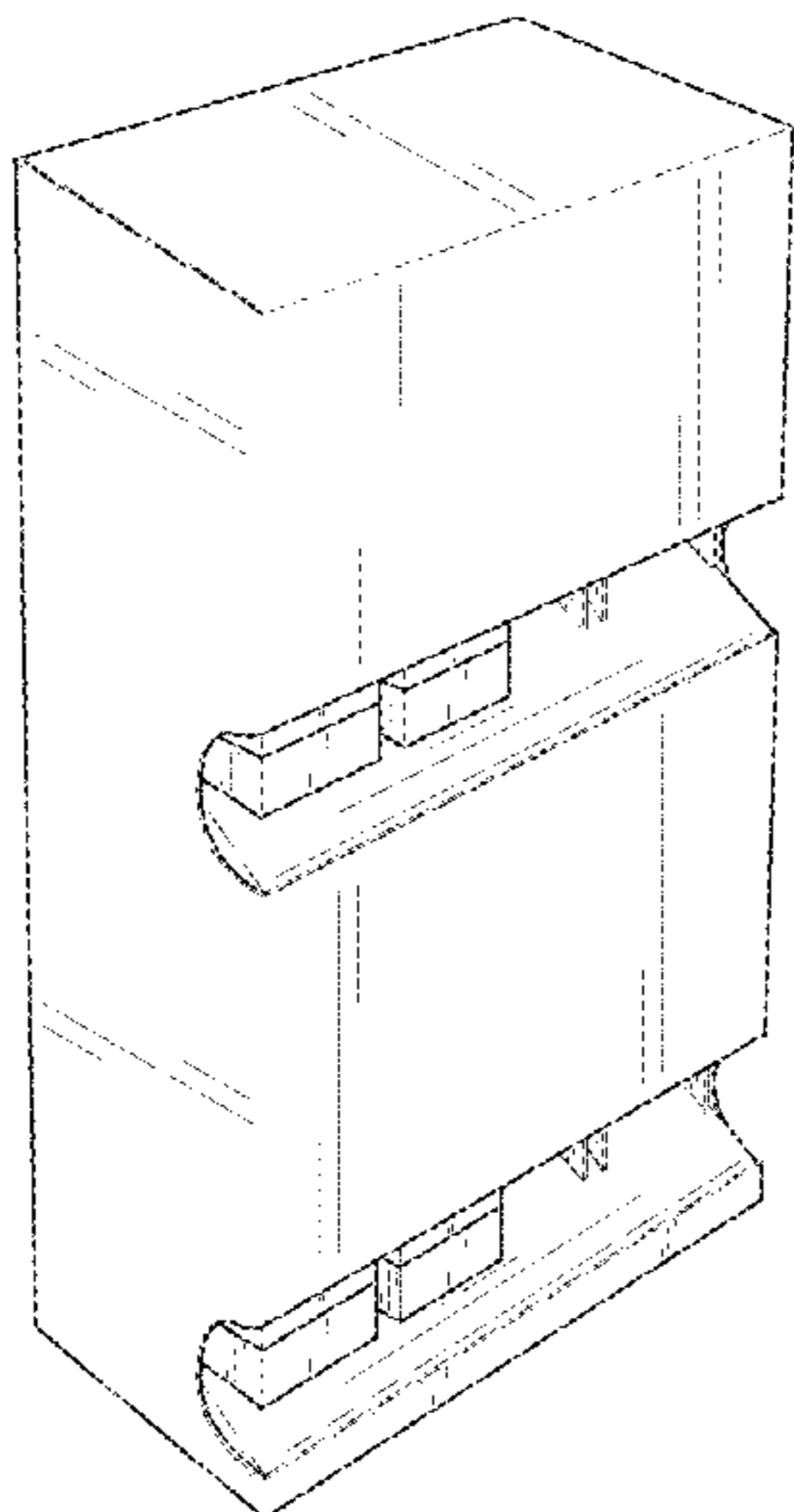
FIG. 12 is left side view thereof;

FIG. 13 is top view thereof; and,

FIG. 14 is bottom view thereof.

The features shown in broken lines shown environment only and form no part of the claimed design.

1 Claim, 8 Drawing Sheets



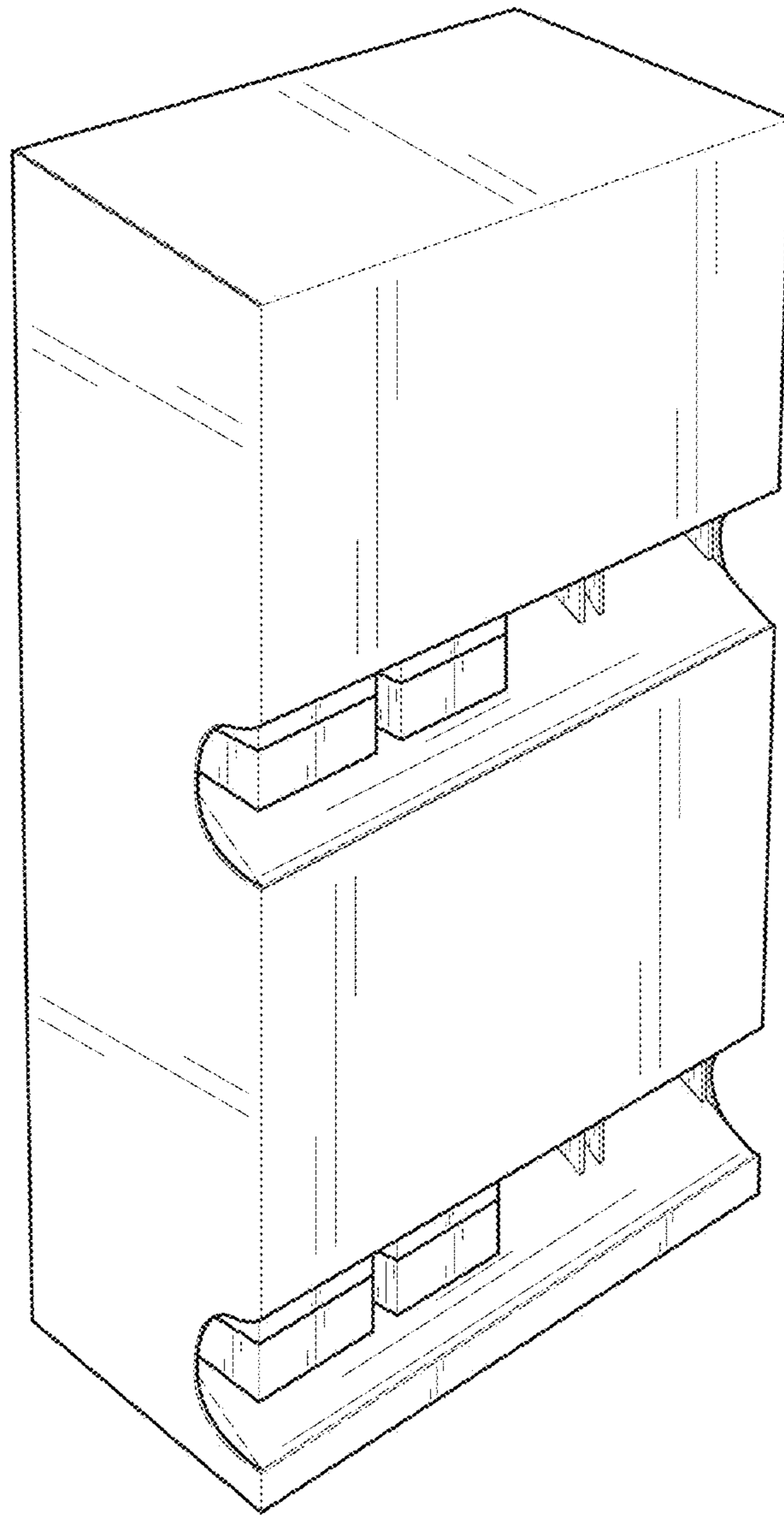


FIG. 1

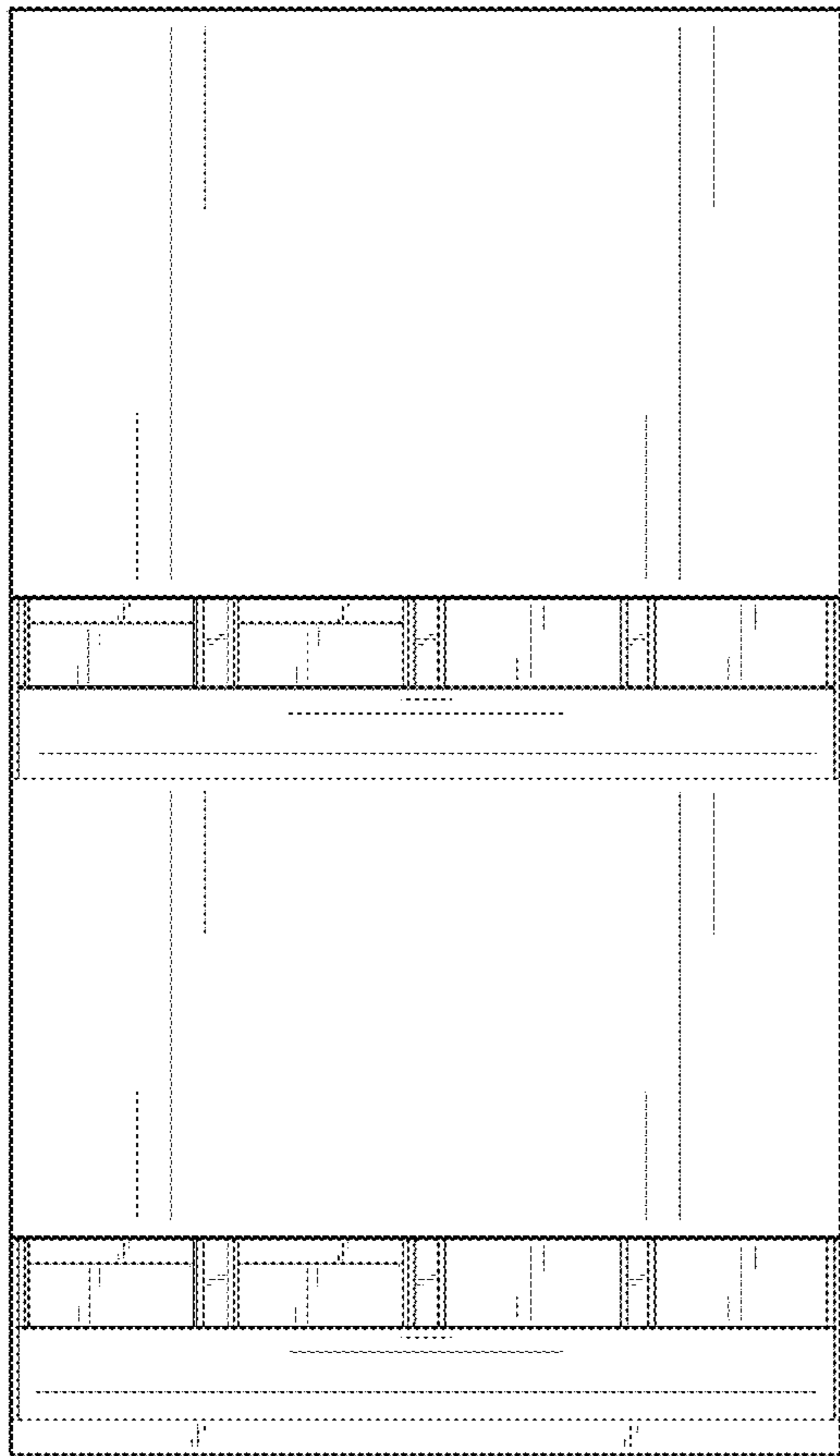


FIG. 2

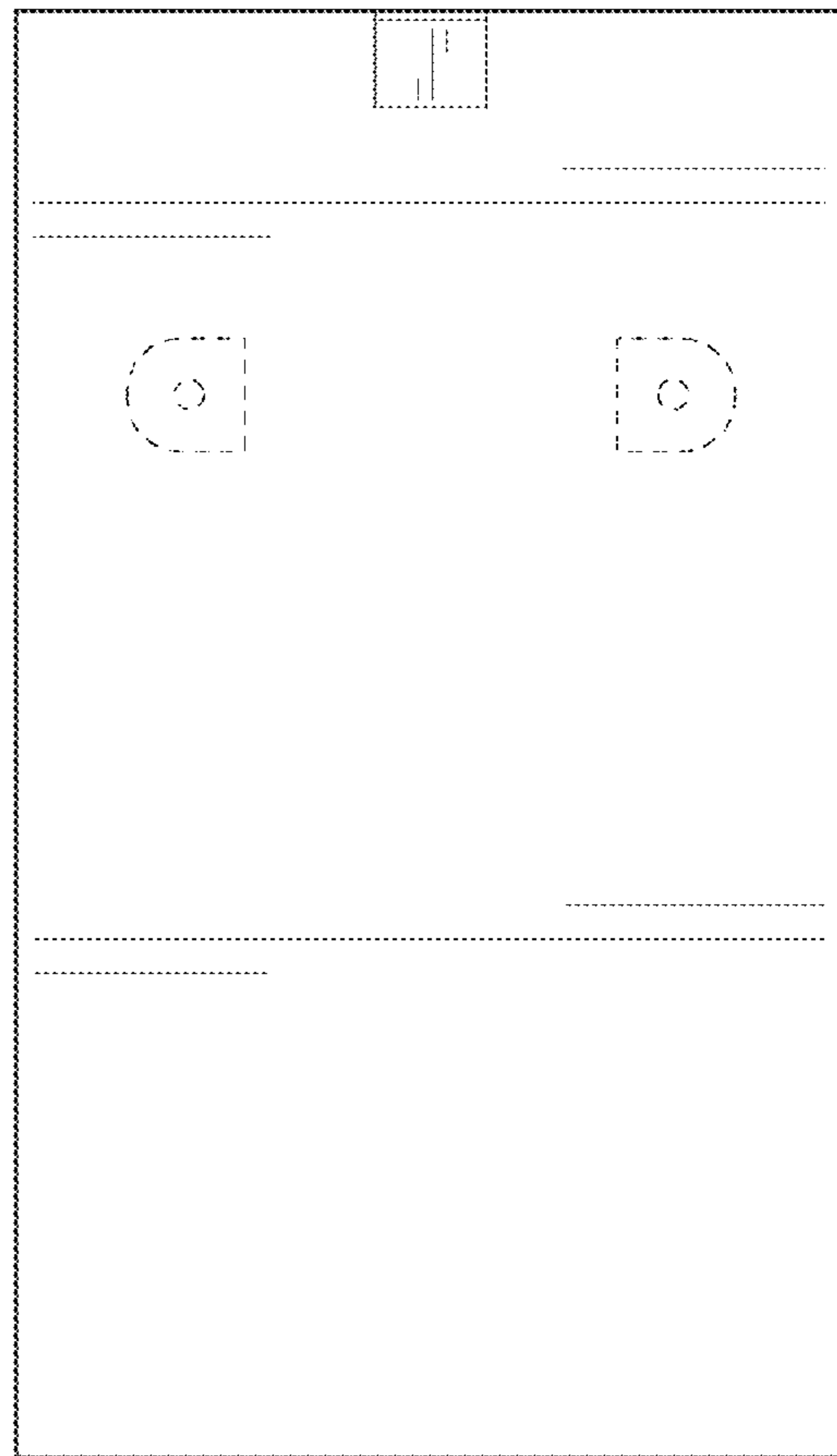


FIG. 3

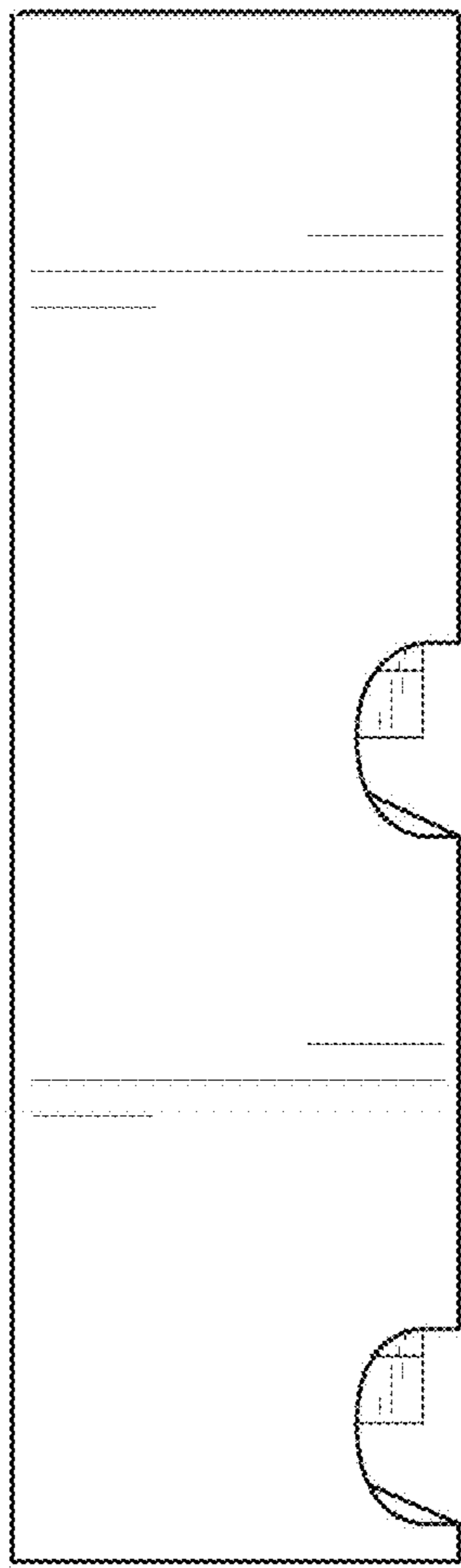


FIG. 4

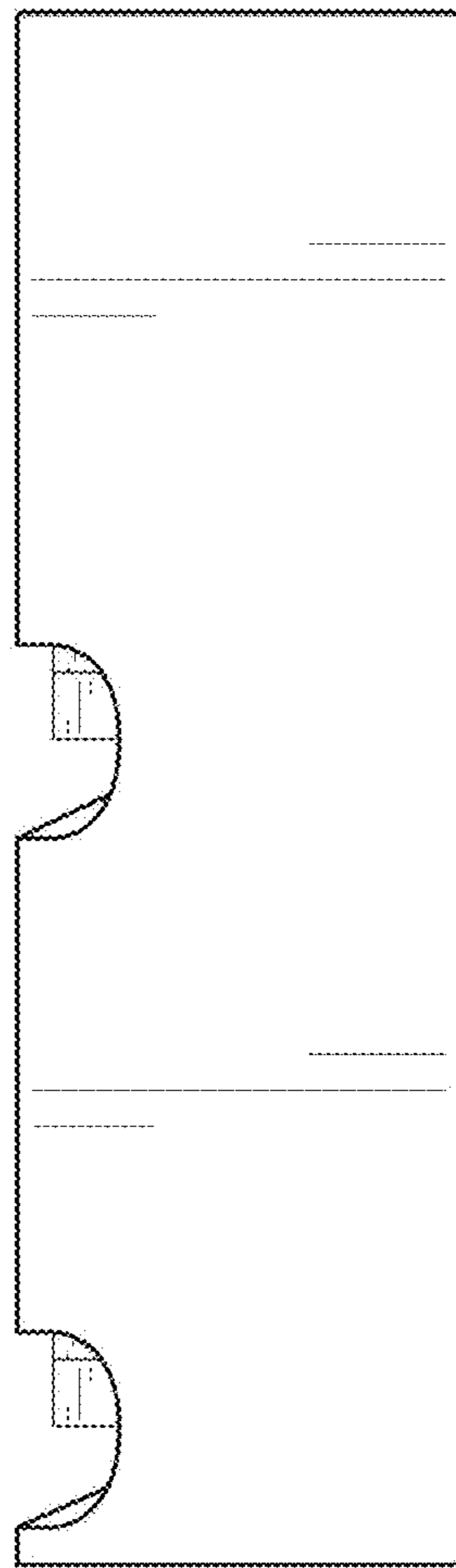


FIG. 5

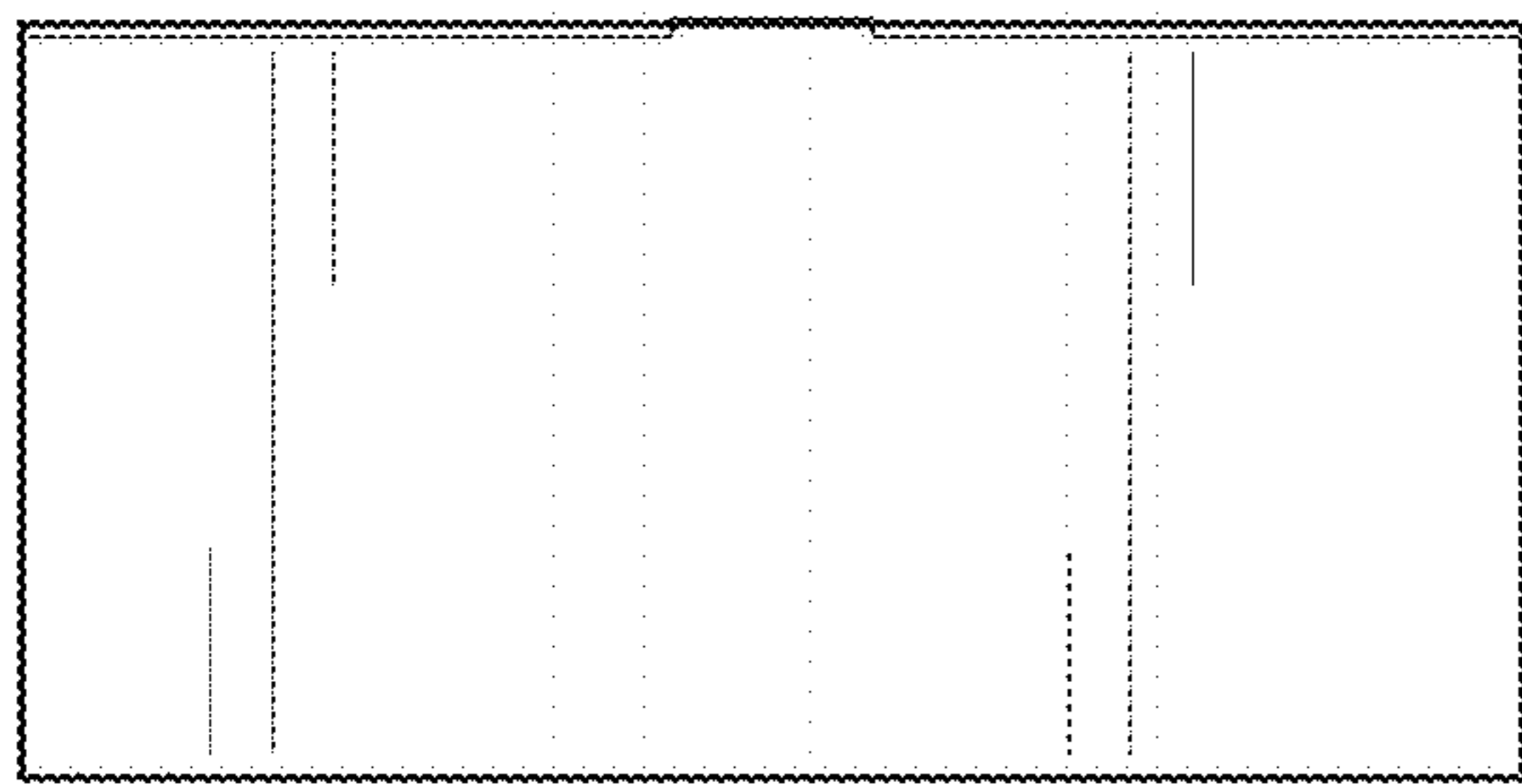


FIG. 6

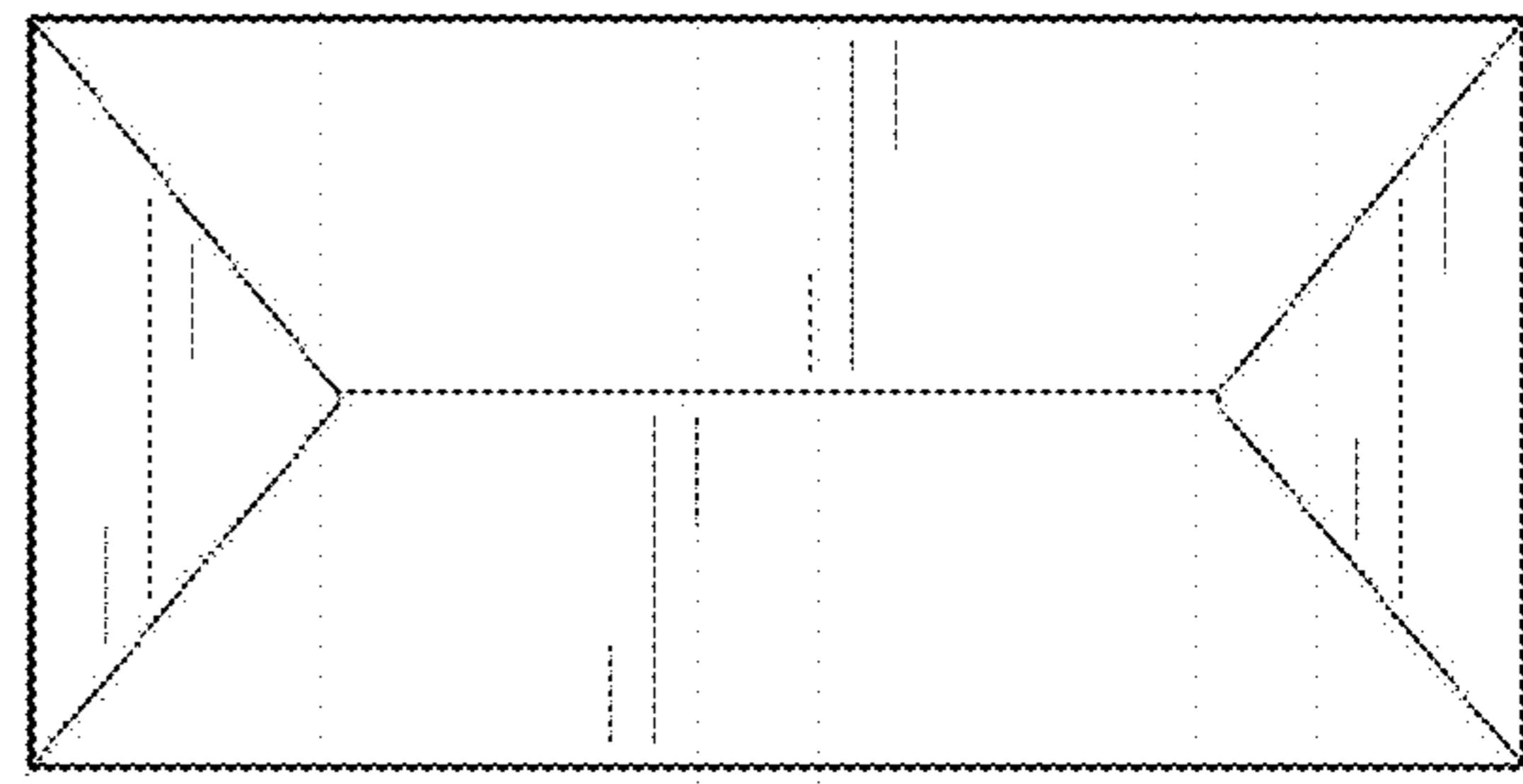


FIG. 7

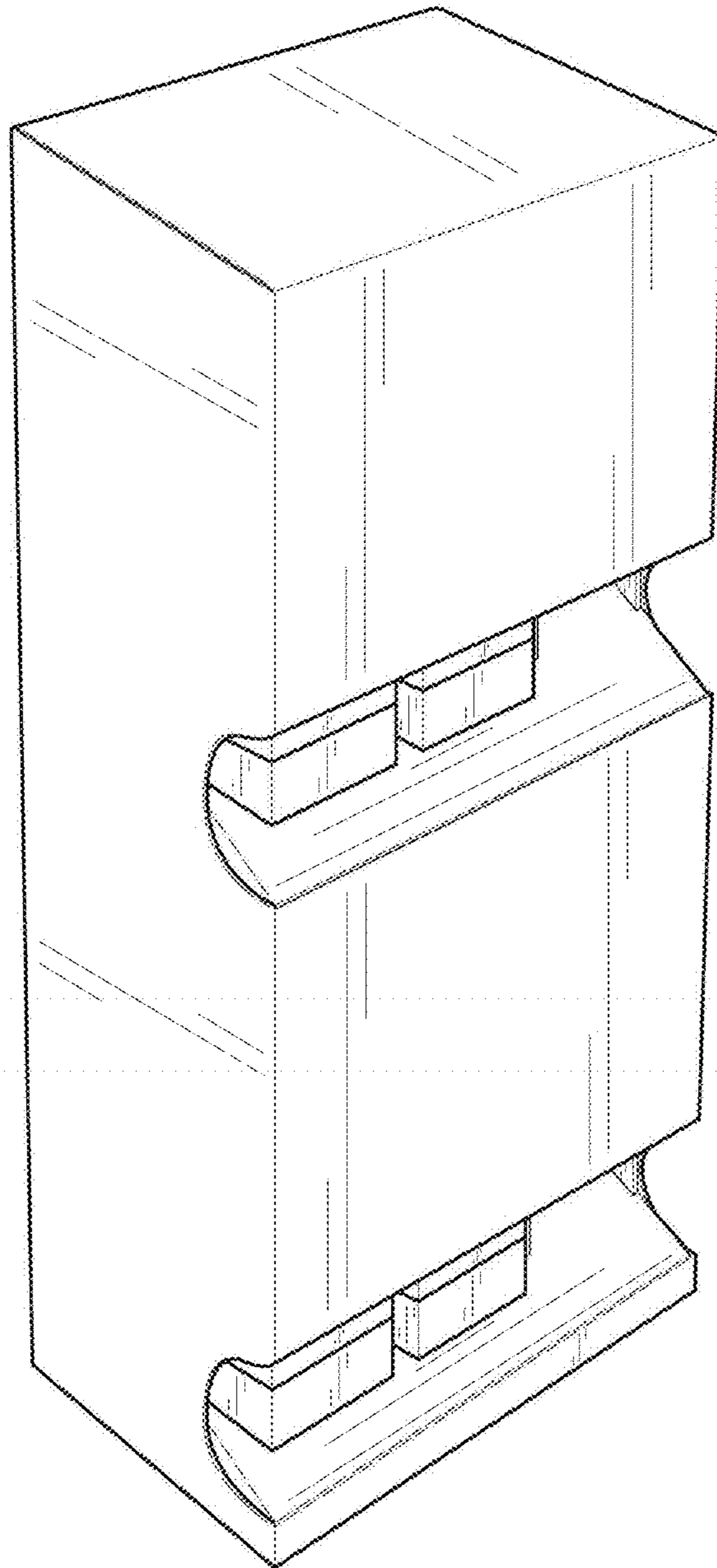


FIG. 8

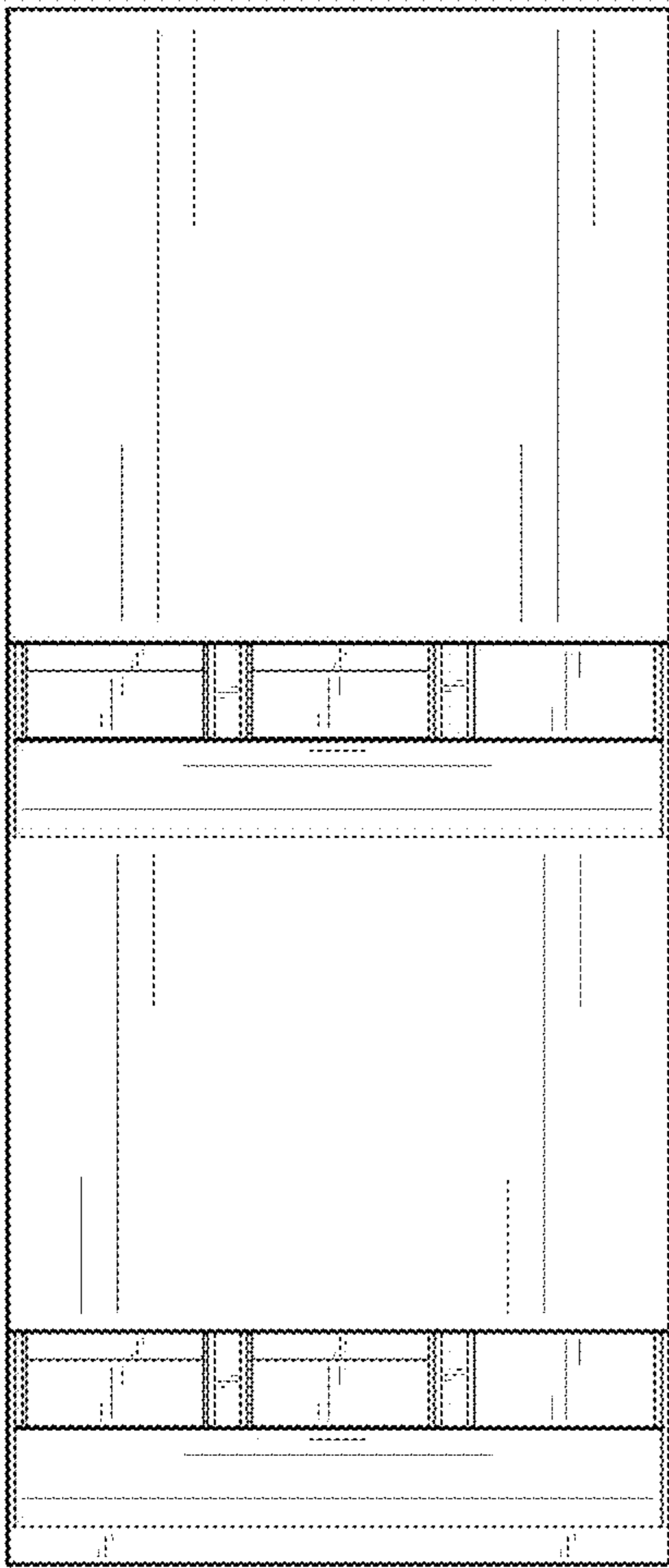


FIG. 9

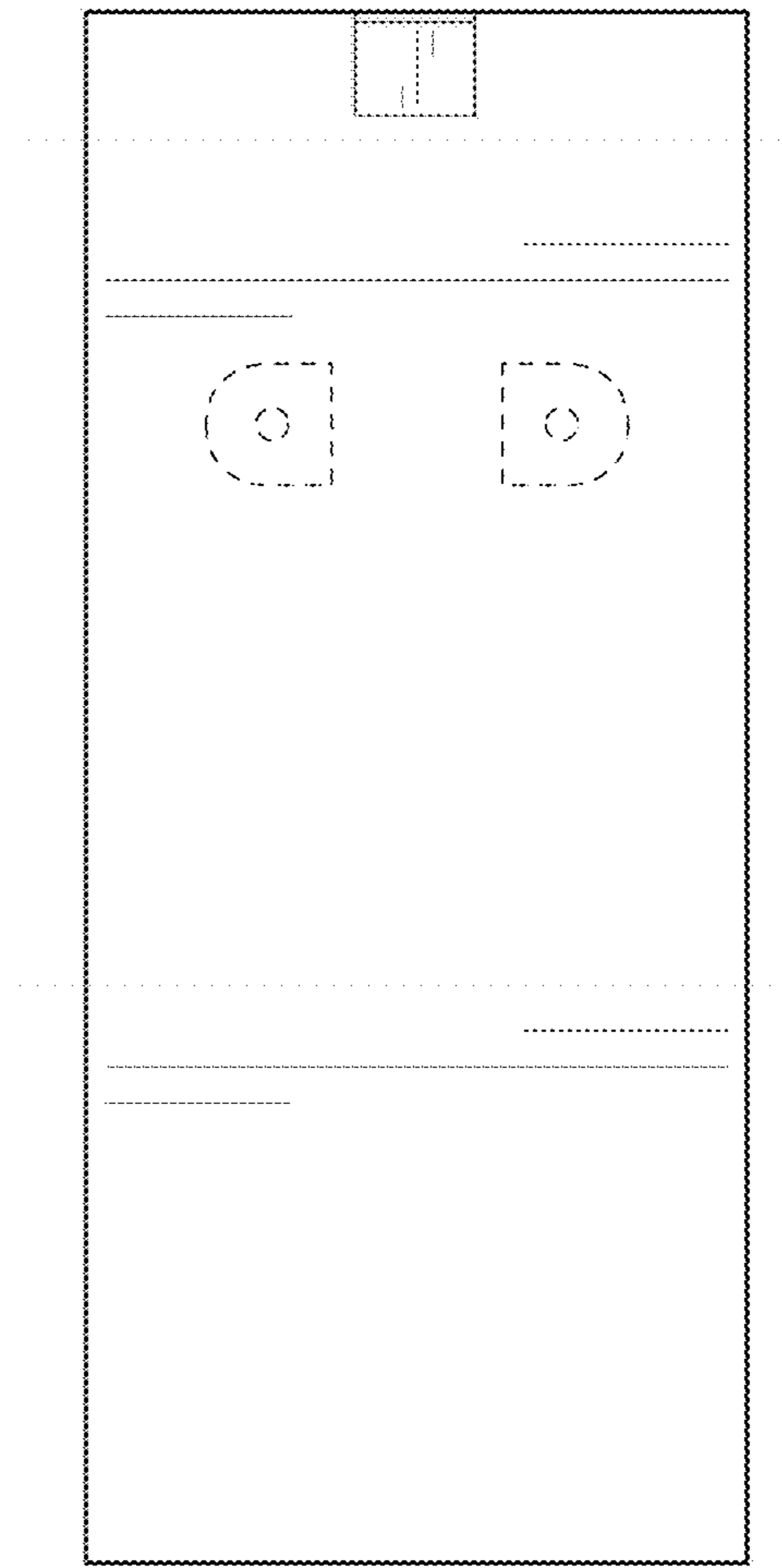


FIG. 10

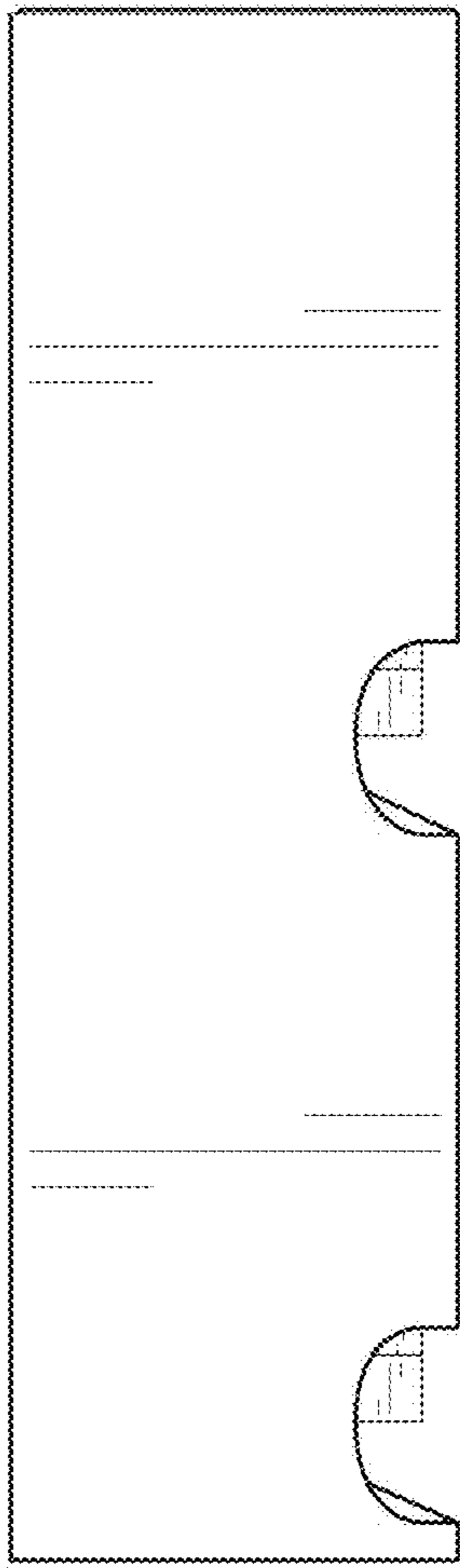


FIG. 11

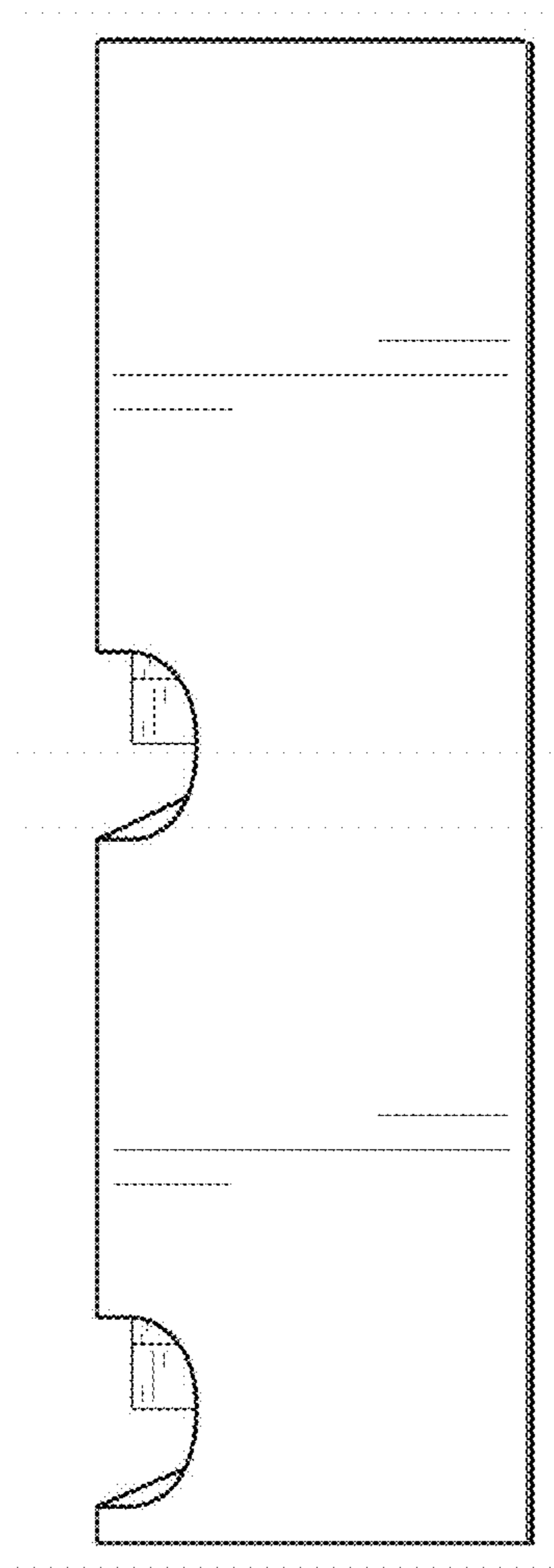


FIG. 12

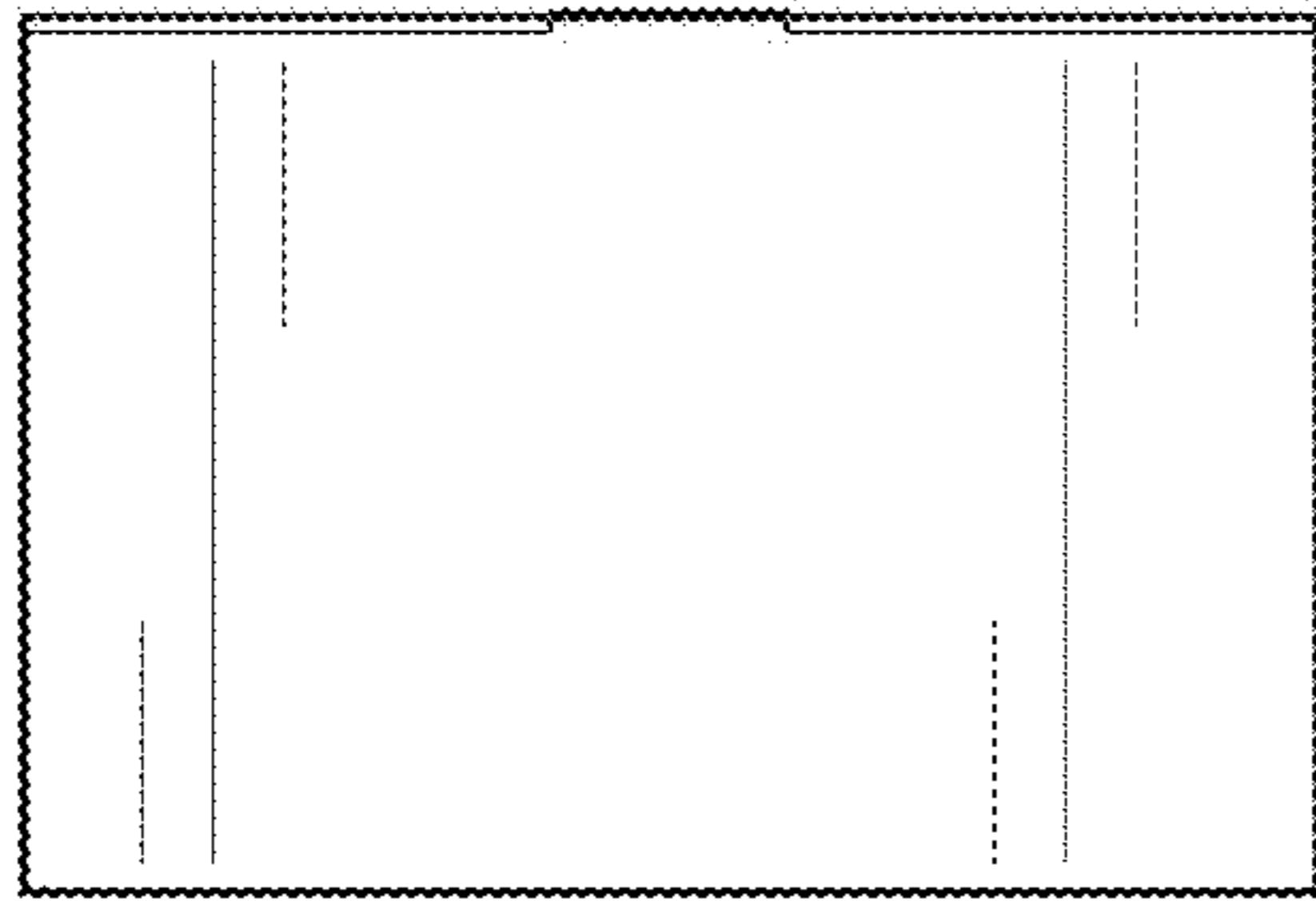


FIG. 13

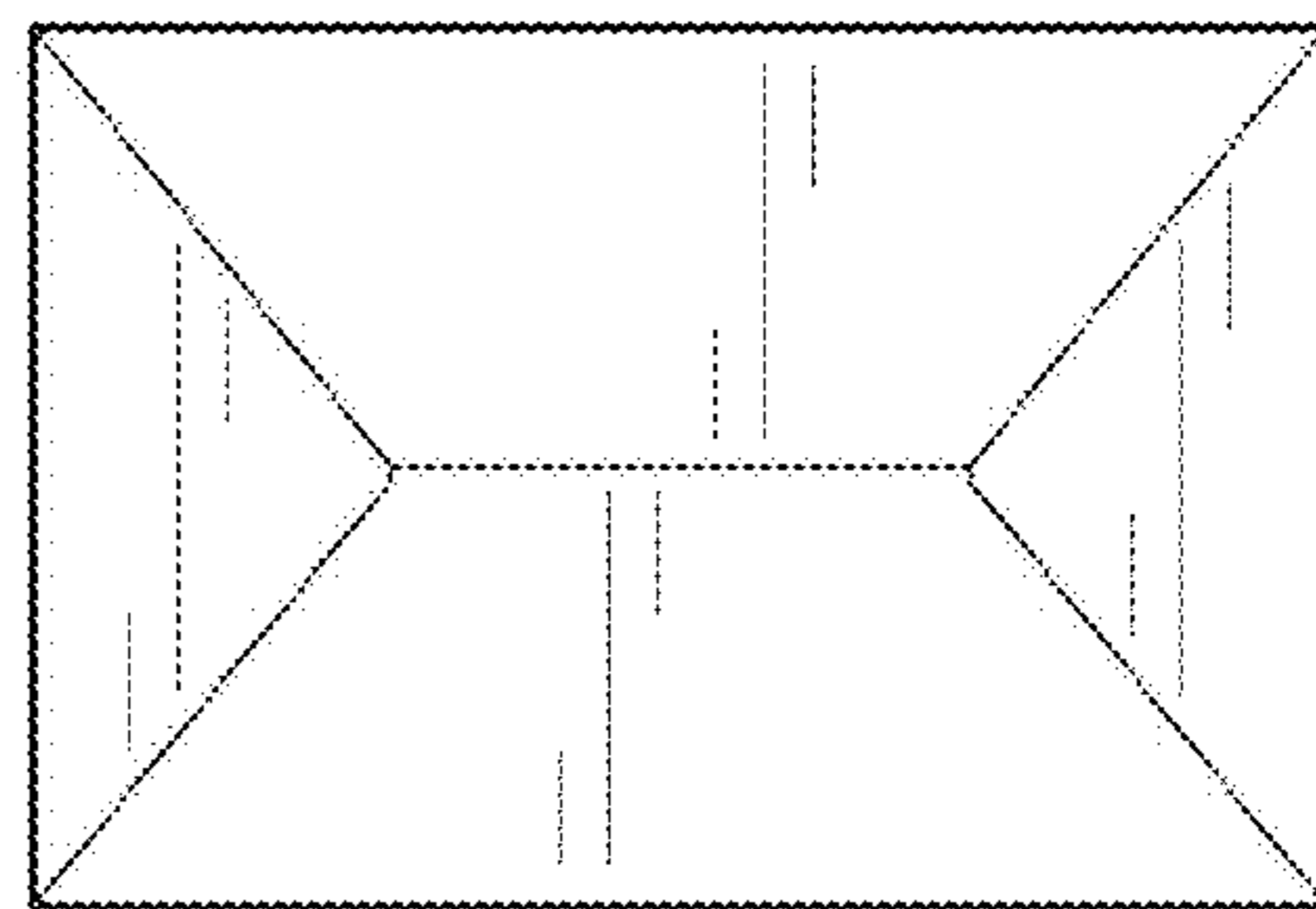


FIG. 14