



US00D703750S

(12) **United States Design Patent**
Tsai et al.

(10) **Patent No.:** **US D703,750 S**
(45) **Date of Patent:** **** Apr. 29, 2014**

(54) **NOTE TAB**

(71) Applicant: **Taiwan Hopax Chems. Mfg. Co., Ltd.,**
Kaohsiung (TW)

(72) Inventors: **Chin-Chung Tsai**, Kaohsiung (TW);
Yi-Hsuen Huang, Kaohsiung (TW);
Jen-Rong Liu, Kaohsiung (TW)

(73) Assignee: **Taiwan Hopax Chems. Mfg. Co., Ltd.,**
Kaohsiung (TW)

(**) Term: **14 Years**

(21) Appl. No.: **29/462,976**

(22) Filed: **Aug. 12, 2013**

(30) **Foreign Application Priority Data**

Mar. 15, 2013 (TW) 102301893

(51) **LOC (10) Cl.** **19-99**

(52) **U.S. Cl.**
USPC **D19/99**

(58) **Field of Classification Search**
USPC D19/1, 2, 65, 86, 99, 100; D20/22, 27,
D20/40; 24/67 R, 67.3, 67.5, 67.7, 67.9,
24/67.11, 546, 547, DIG. 8, DIG. 9;
D11/78.1; 40/359, 641, 666; 281/45
See application file for complete search history.

(56) **References Cited**

U.S. PATENT DOCUMENTS

876,252 A * 1/1908 Baker 40/641
1,452,250 A * 4/1923 Moore et al. 40/673
1,524,478 A * 1/1925 Hunter 40/360
2,181,977 A * 12/1939 Magovern 40/645
2,576,950 A * 12/1951 Pratt 40/651

3,425,389 A * 2/1969 Arcieri et al. 116/236
D253,389 S * 11/1979 South, Jr. D8/1
4,384,417 A * 5/1983 Thompson 40/659
D314,012 S * 1/1991 Klodt D19/65
D314,493 S * 2/1991 Keane D8/1
D321,333 S * 11/1991 Soule D11/221
D332,113 S * 12/1992 Yates D19/34
D361,094 S * 8/1995 Calkins et al. D20/26
D394,454 S * 5/1998 Williams et al. D19/34
D402,863 S * 12/1998 Hickmott D8/1
D428,445 S * 7/2000 Hickmott D20/22
D437,618 S * 2/2001 Faulkner D20/26
6,401,375 B1 * 6/2002 Hickmott 40/645
D520,065 S * 5/2006 Doyle D20/22
D541,346 S * 4/2007 Lau D19/65
D565,660 S * 4/2008 Lau D19/65
D566,187 S * 4/2008 Lau D19/65
D566,188 S * 4/2008 Lau D19/65
D566,768 S * 4/2008 Lau D19/65
D574,430 S * 8/2008 Lau D19/65
D595,773 S * 7/2009 Lau D19/65
D619,862 S * 7/2010 Brodek D8/1
2003/0029068 A1 * 2/2003 Weber 40/645

* cited by examiner

Primary Examiner — Elizabeth Albert

(74) *Attorney, Agent, or Firm* — Bacon & Thomas, PLLC

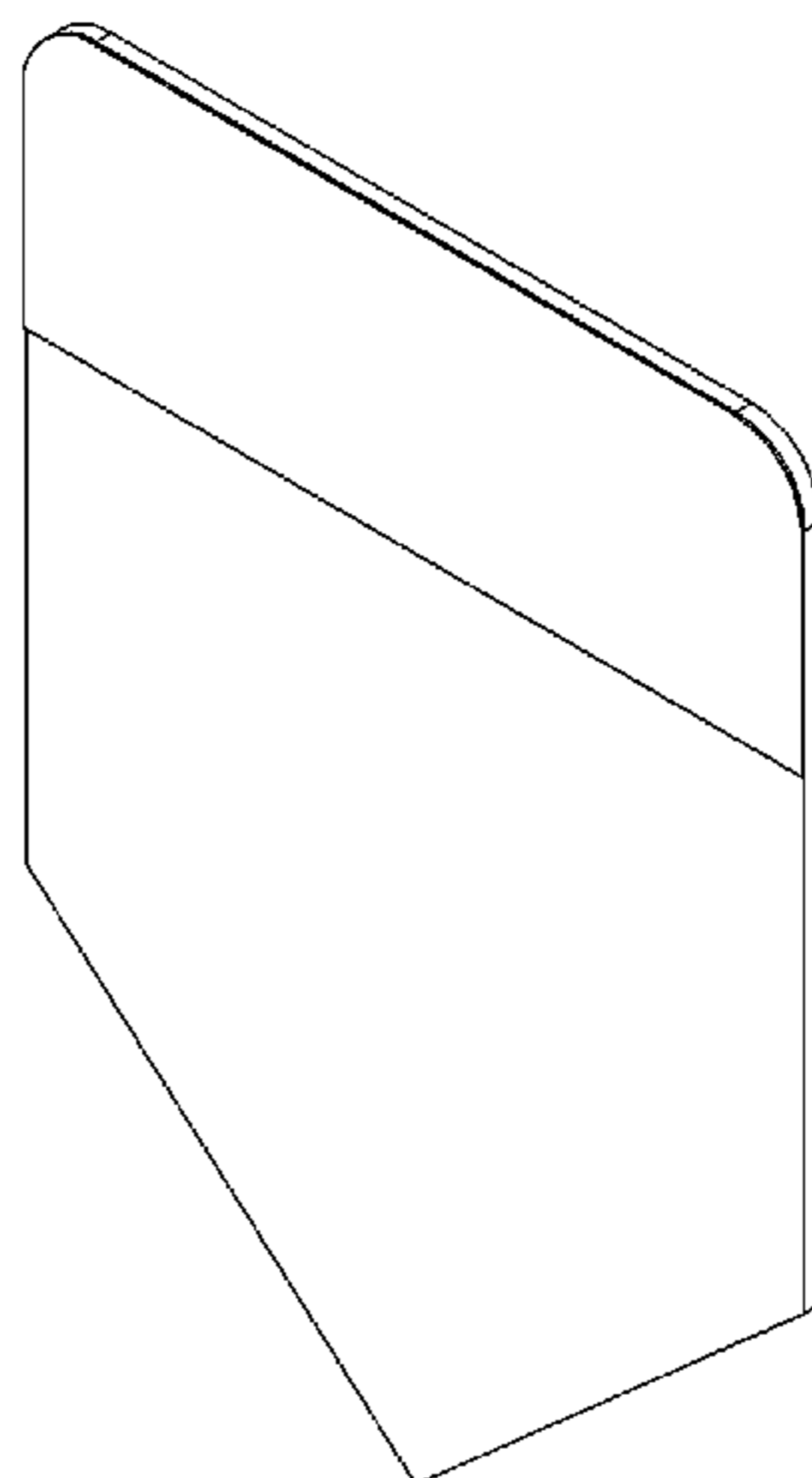
(57) **CLAIM**

The ornamental design for a note tab, as shown and described.

DESCRIPTION

FIG. 1 is a perspective view of a note tab showing our new design;
FIG. 2 is a front view thereof;
FIG. 3 is a rear view thereof;
FIG. 4 is a left side view thereof;
FIG. 5 is a right side view thereof;
FIG. 6 is a top view thereof; and,
FIG. 7 is a bottom view thereof.

1 Claim, 6 Drawing Sheets



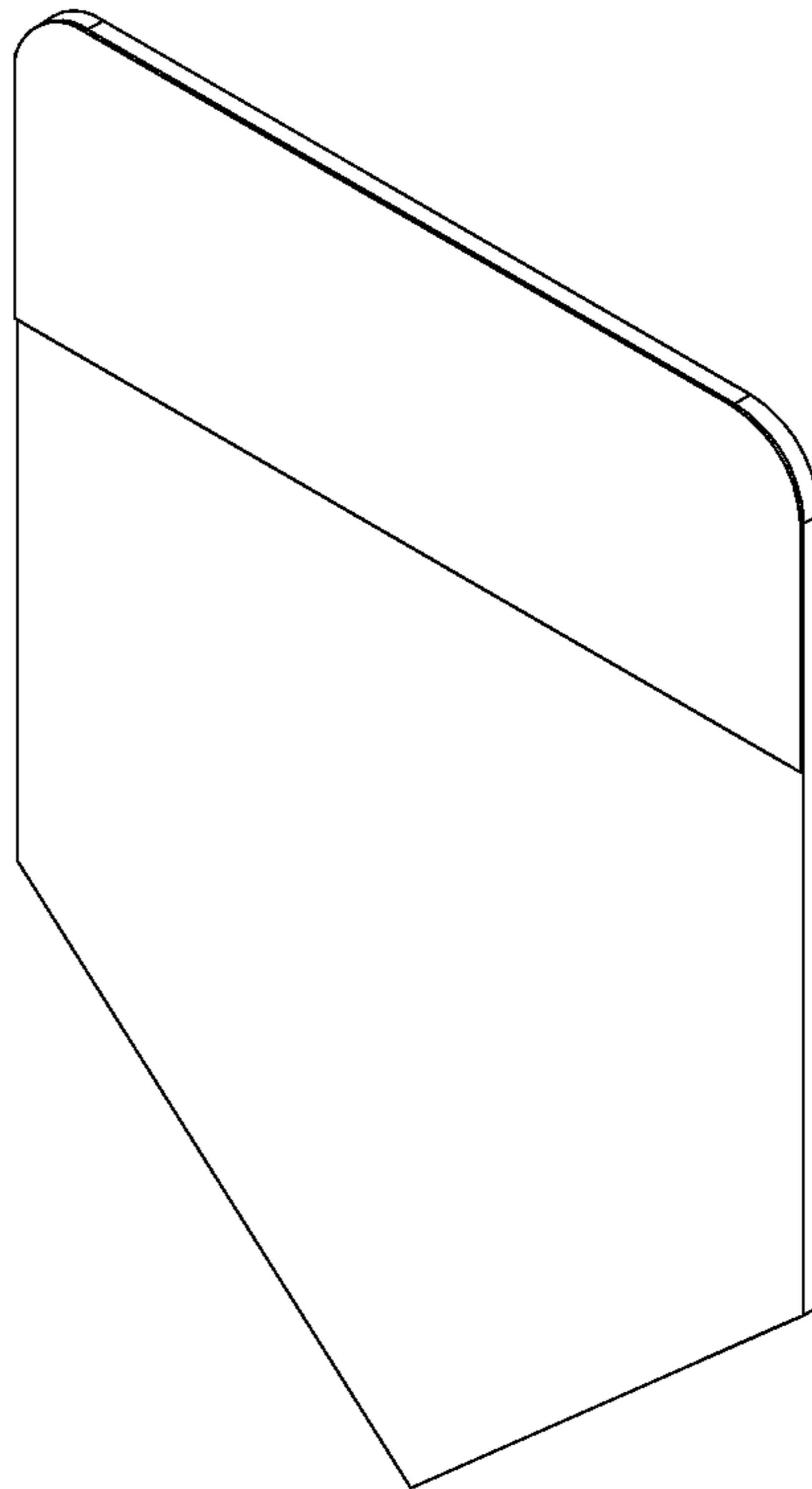


Fig.1

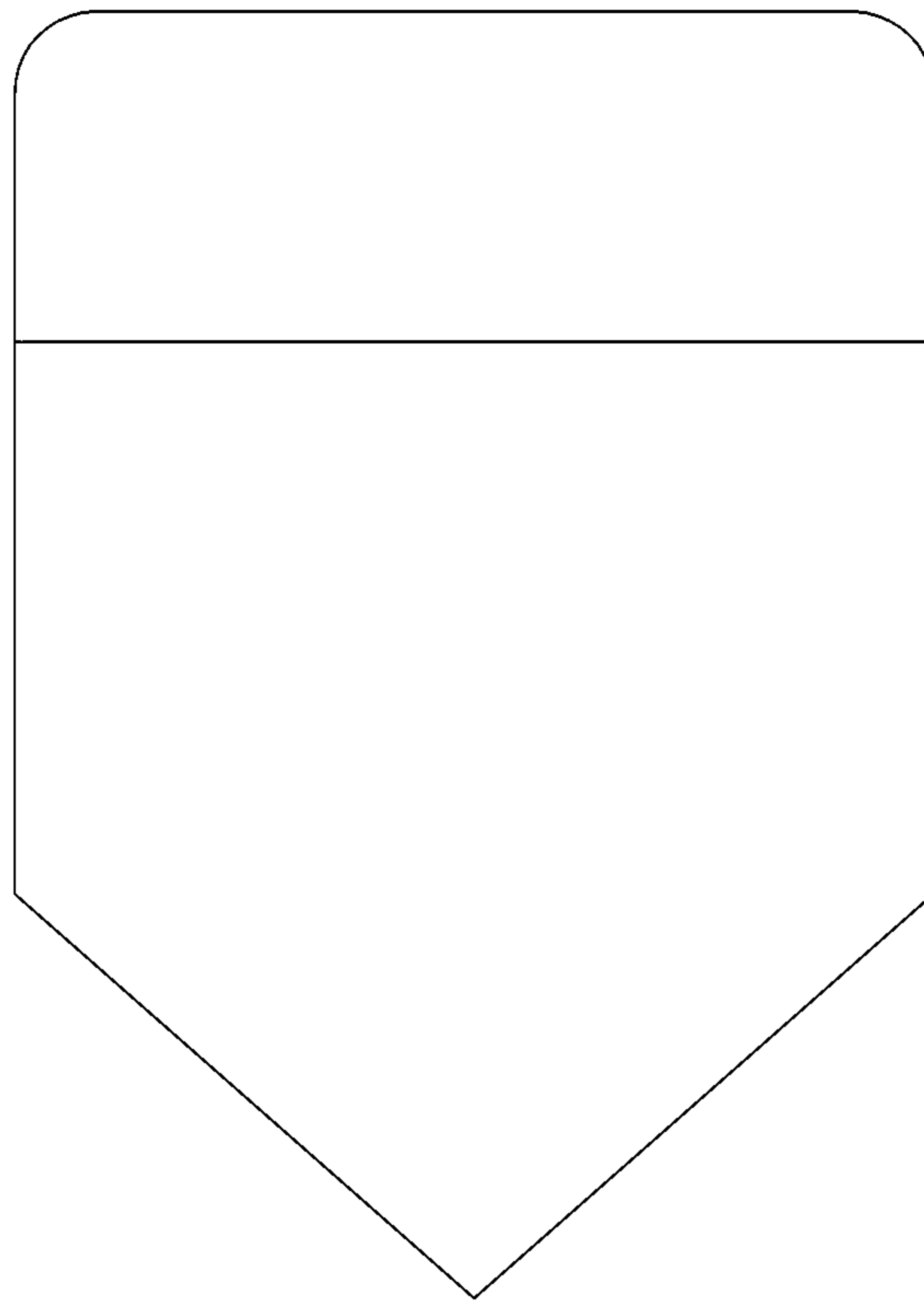


Fig.2

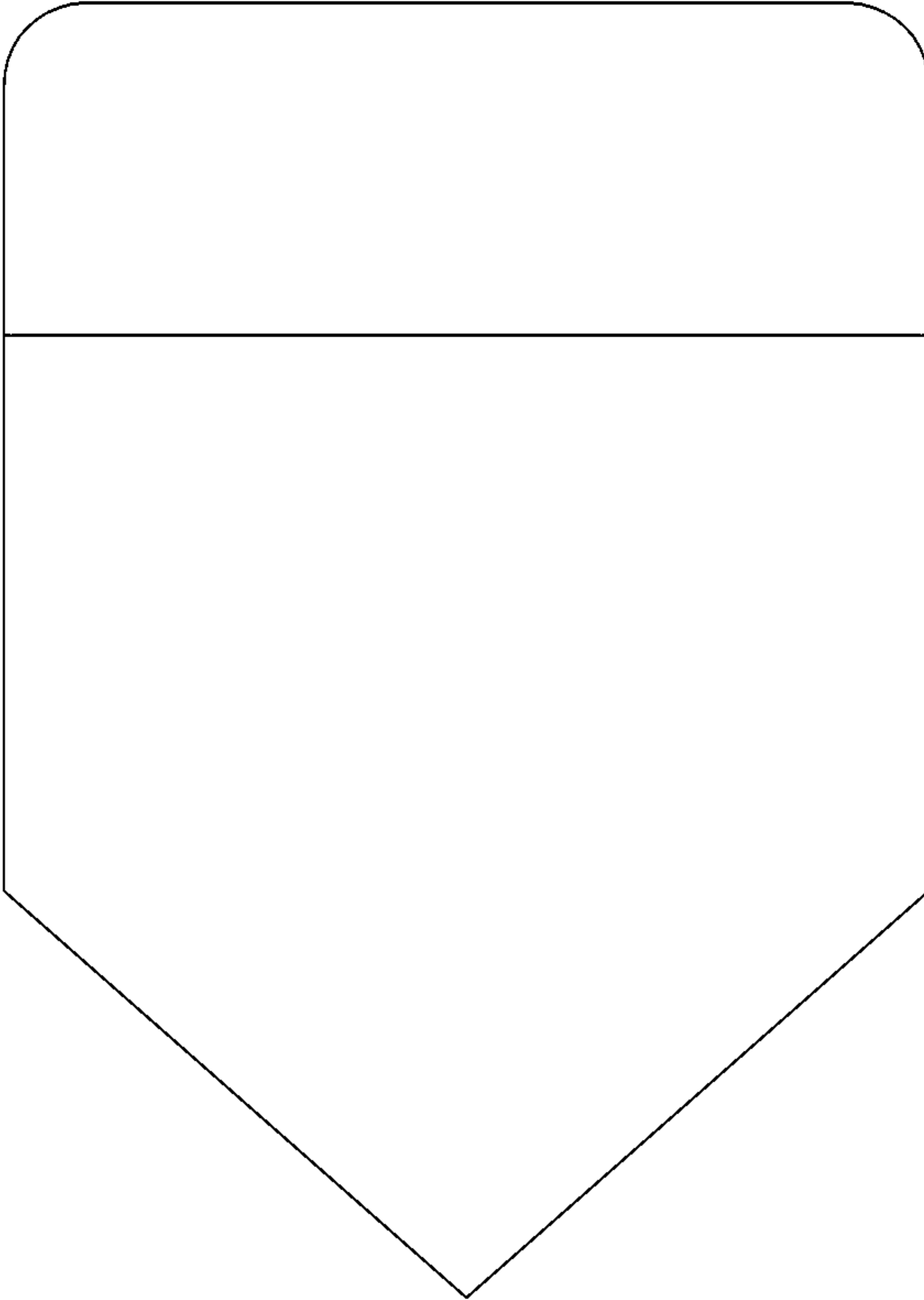


Fig.3

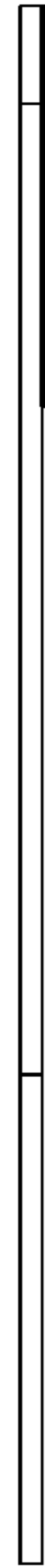


Fig.4



Fig.5

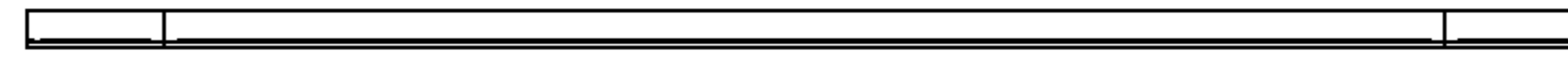


Fig.6

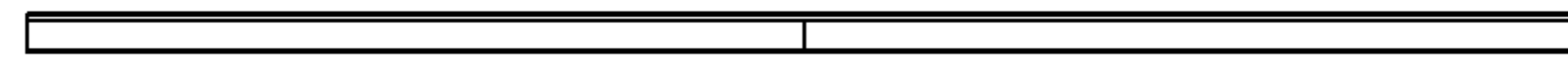


Fig.7