



US00D703744S

(12) **United States Design Patent**
Harvey Pennaz et al.

(10) **Patent No.:** **US D703,744 S**
(45) **Date of Patent:** **** Apr. 29, 2014**

(54) **ORGANIZER**

(71) Applicant: **3M Innovative Properties Company**,
St. Paul, MN (US)

(72) Inventors: **Jane E. Harvey Pennaz**, Roseville, MN
(US); **James E. Nash**, Bloomington, MN
(US); **Gerald E. Mueller**, Eagan, MN
(US)

(73) Assignee: **3M Innovative Properties Company**,
St. Paul, MN (US)

(**) Term: **14 Years**

(21) Appl. No.: **29/458,564**

(22) Filed: **Jun. 20, 2013**

(51) **LOC (10) Cl.** **19-02**

(52) **U.S. Cl.**
USPC **D19/86**

(58) **Field of Classification Search**

USPC D6/512, 513, 518, 675, 675.1, 675.2,
D6/682.2, 683, 683.1, 700, 704, 705, 706;
D9/734, 737; D19/65, 75, 77, 78,
D19/86-92; 206/39.5, 215, 494, 555;
211/45, 50, 126.1, 126.13, 126.16;
221/45, 46, 56; D8/394, 395

See application file for complete search history.

(56) **References Cited**

U.S. PATENT DOCUMENTS

3,343,289 A * 9/1967 Chamberlin 40/649
D225,906 S * 1/1973 Cline D19/65
3,918,187 A * 11/1975 Vogele 40/781
4,884,353 A * 12/1989 Taylor 40/611.01
D310,020 S * 8/1990 Fujioka D8/396

5,018,291 A * 5/1991 Pasquale et al. 40/584
D317,571 S * 6/1991 Henriksson D9/443
D332,711 S * 1/1993 Olson D6/449
5,241,768 A * 9/1993 Thompson 40/661
5,419,134 A * 5/1995 Gibson 40/611.05
5,771,619 A * 6/1998 Wells 40/643
5,933,994 A * 8/1999 Misaresh 40/649
D492,727 S * 7/2004 Nuttall et al. D19/65
D533,227 S * 12/2006 Nuttall D19/65
D534,588 S * 1/2007 Nuttall D19/65
D578,381 S * 10/2008 Wolff D8/395
D659,526 S * 5/2012 Boucher-Gagne et al. D8/395

* cited by examiner

Primary Examiner — Elizabeth Albert

(74) *Attorney, Agent, or Firm* — Irina Hass

(57) **CLAIM**

The ornamental design for an organizer, as shown and described.

DESCRIPTION

FIG. 1 is a perspective view showing the new design for an organizer;

FIG. 2 is a top view thereof;

FIG. 3 is a bottom view thereof;

FIG. 4 is a front view thereof, a rear view being a mirror image thereof; and,

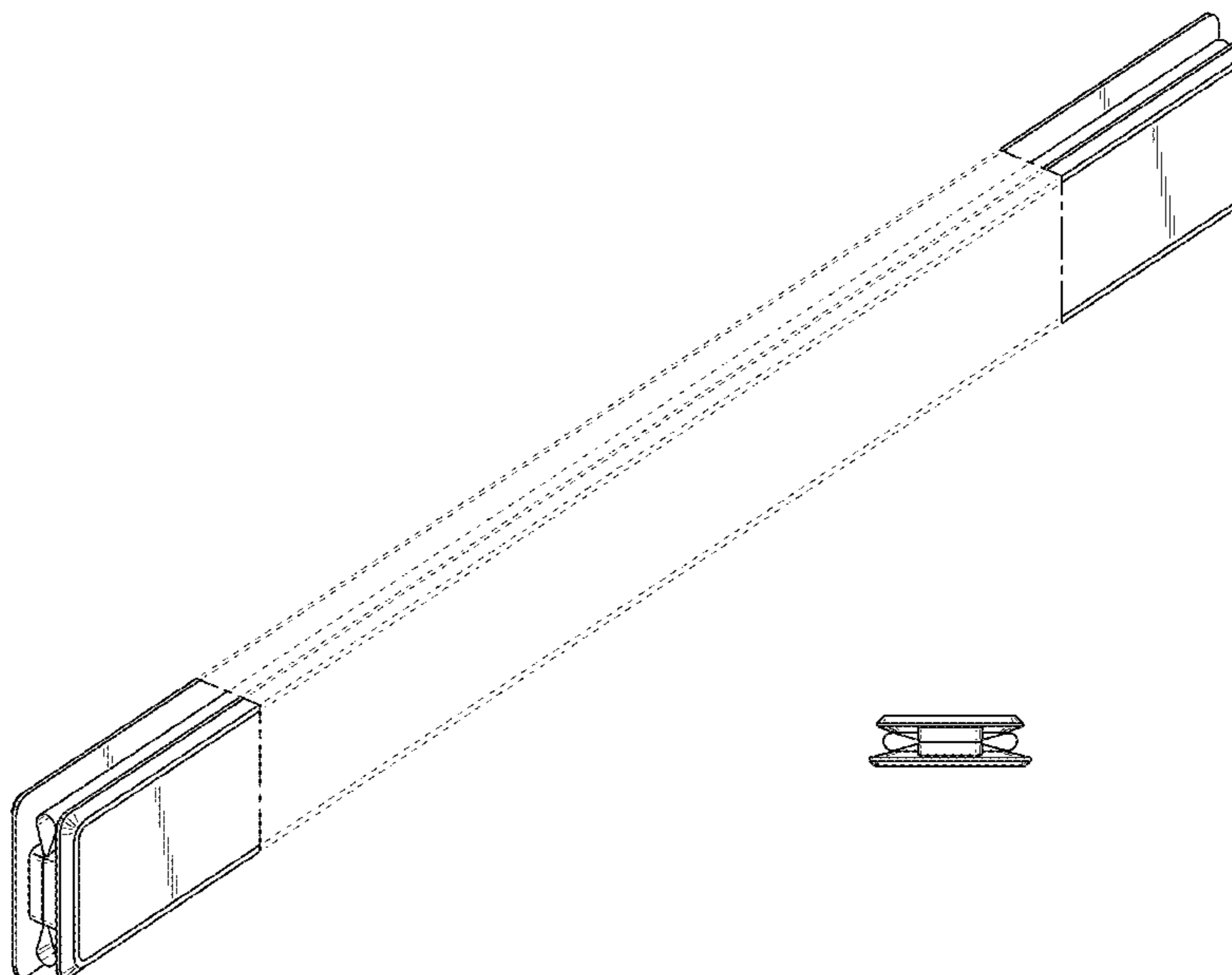
FIG. 5 is a left side view thereof, a right side view being a mirror image thereof.

The evenly spaced broken lines showing portions of the organizer in FIGS. 1, 2, 3, and 4 are included to show features that form no part of the claimed design.

The long and short broken lines on one side of the claimed ends of the organizer in

FIGS. 1, 2, 3, and 4 define the bounds of the claimed design and form no part thereof.

1 Claim, 2 Drawing Sheets



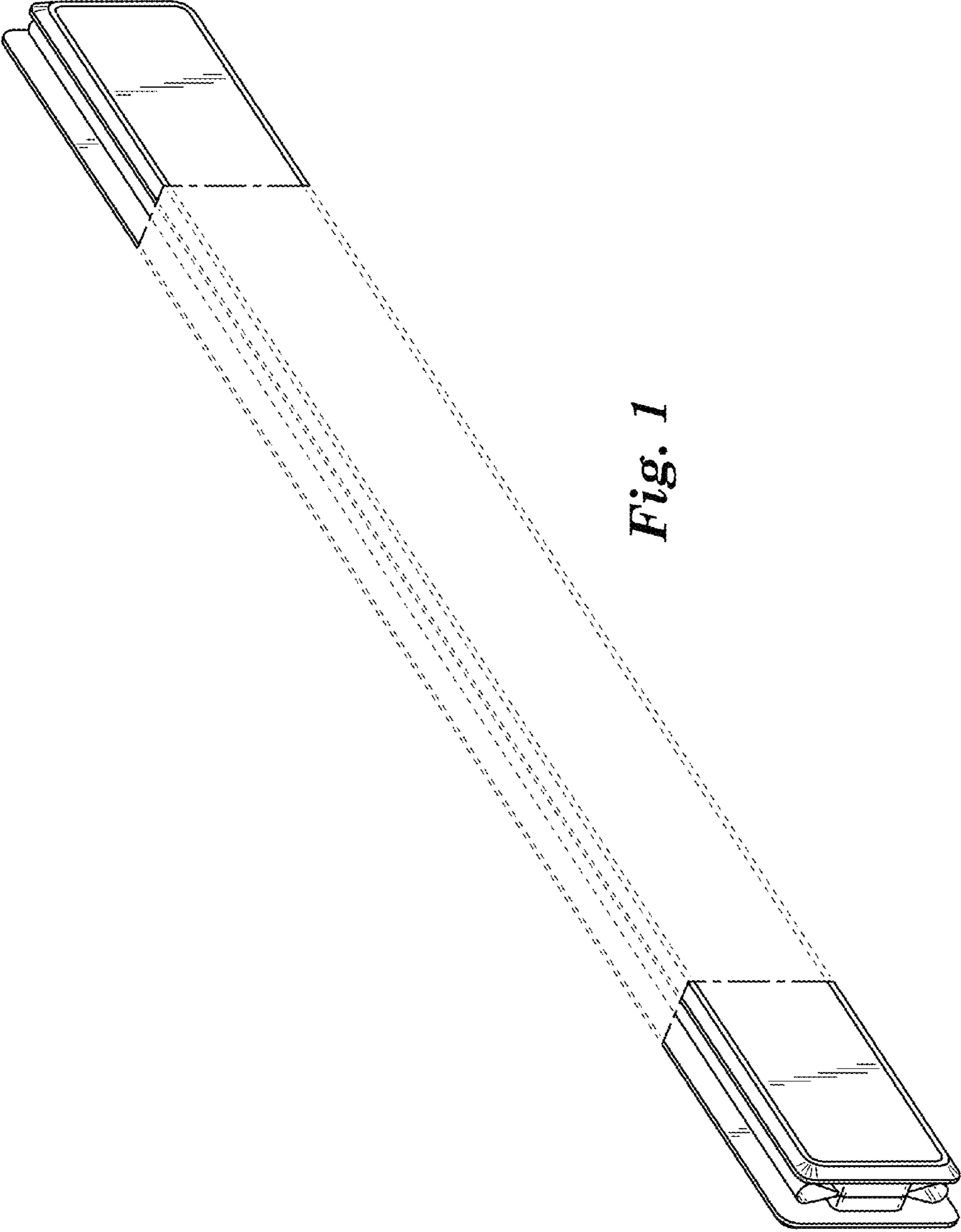


Fig. 1

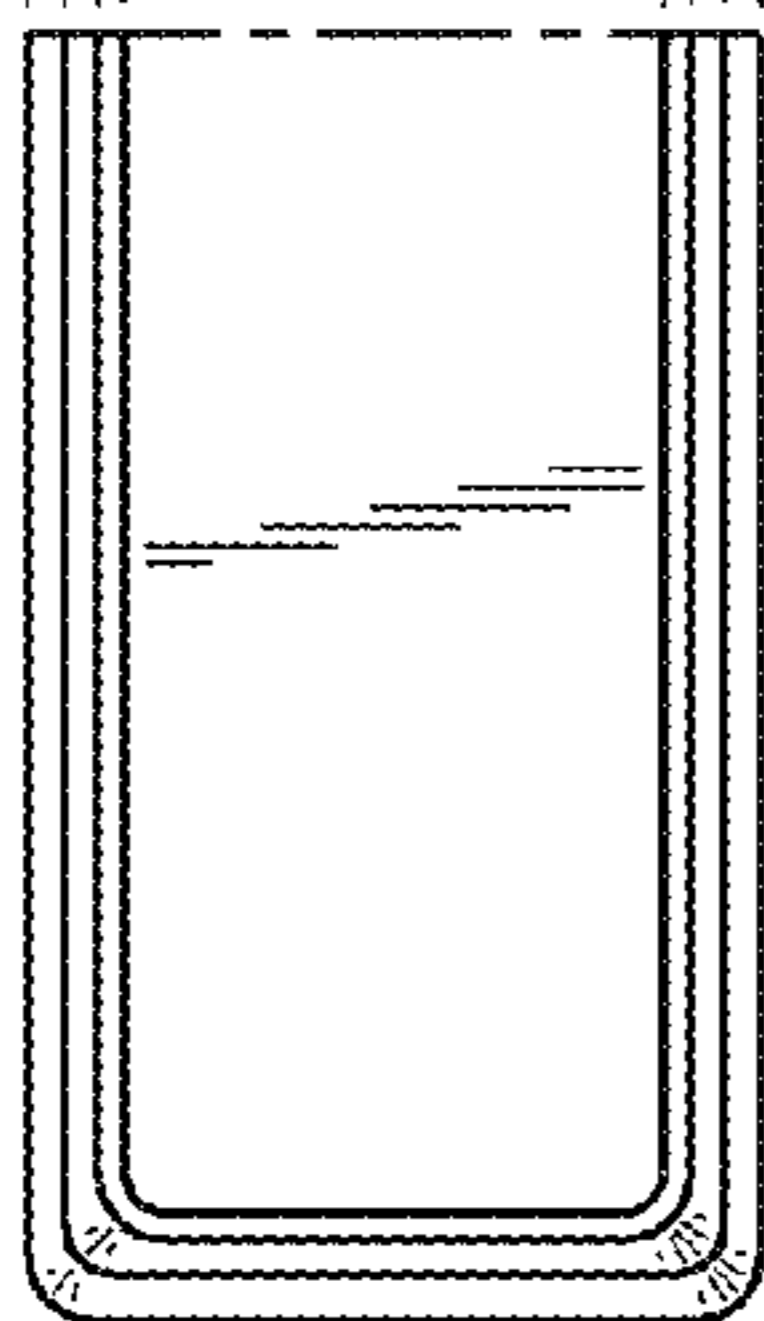
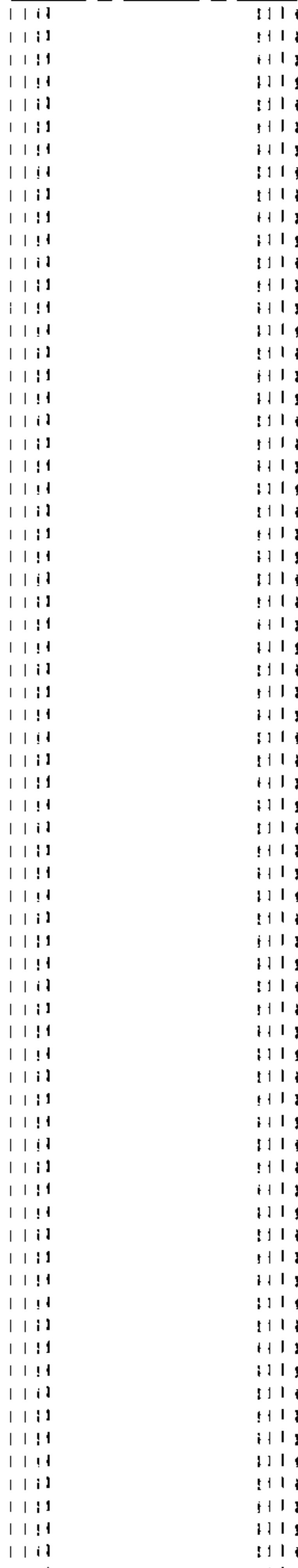
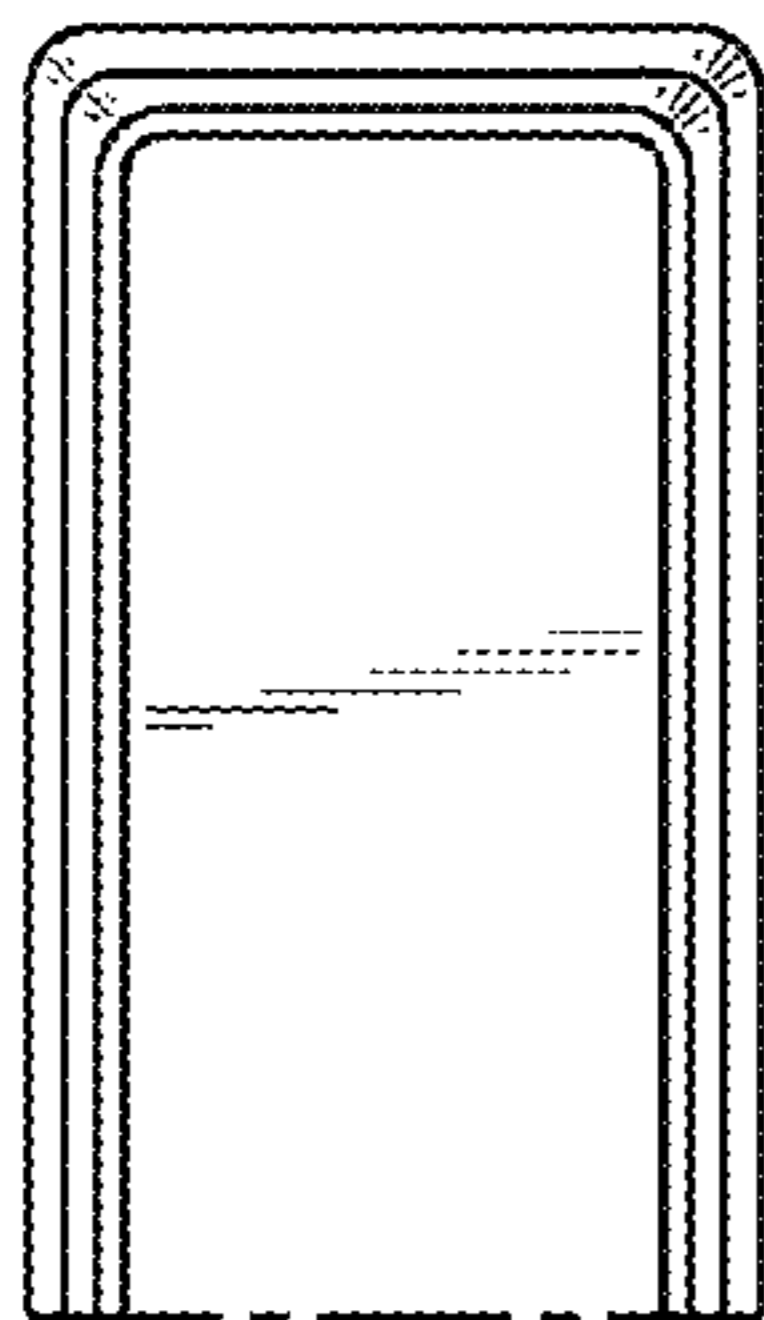


Fig. 2

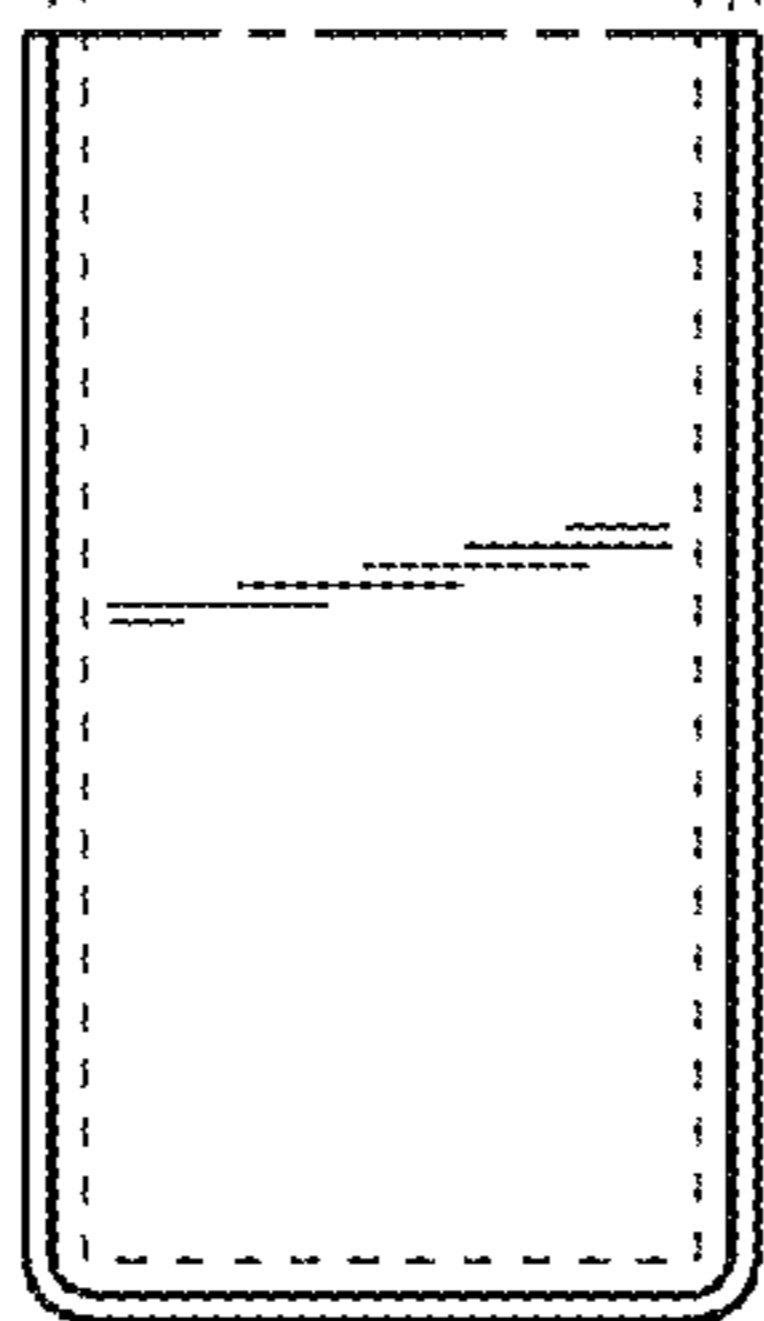
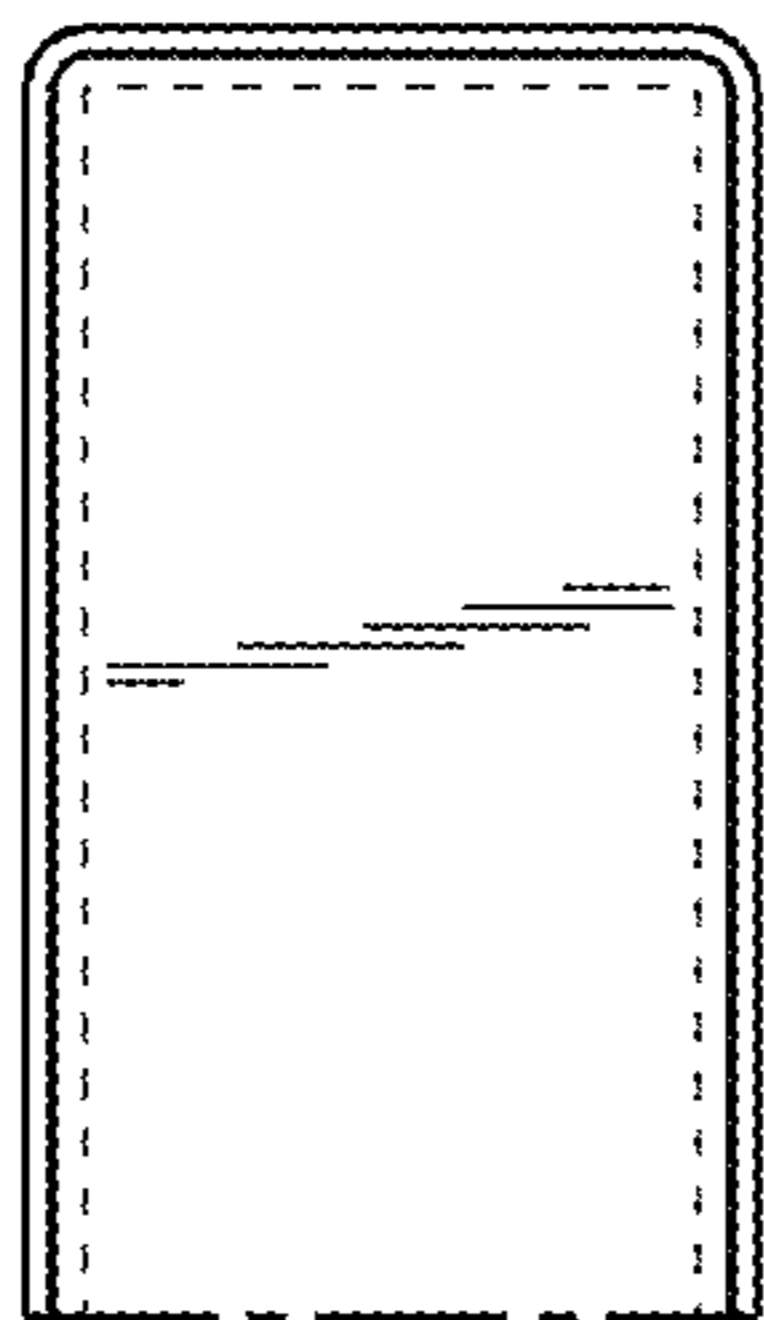


Fig. 3

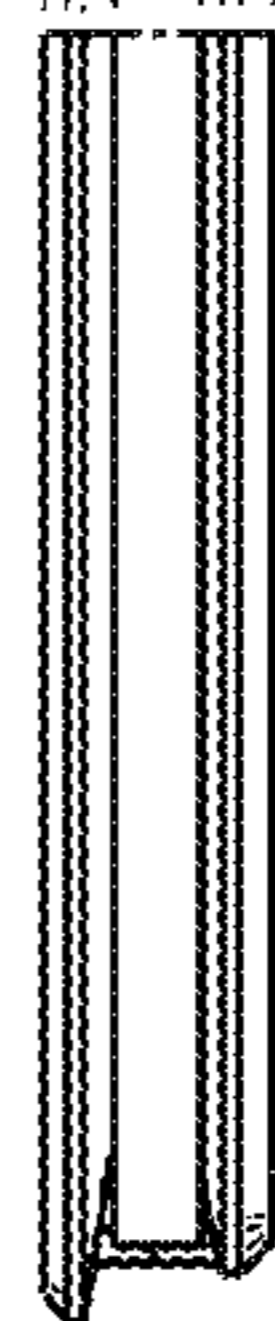
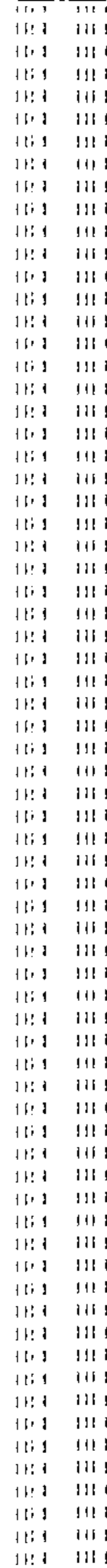
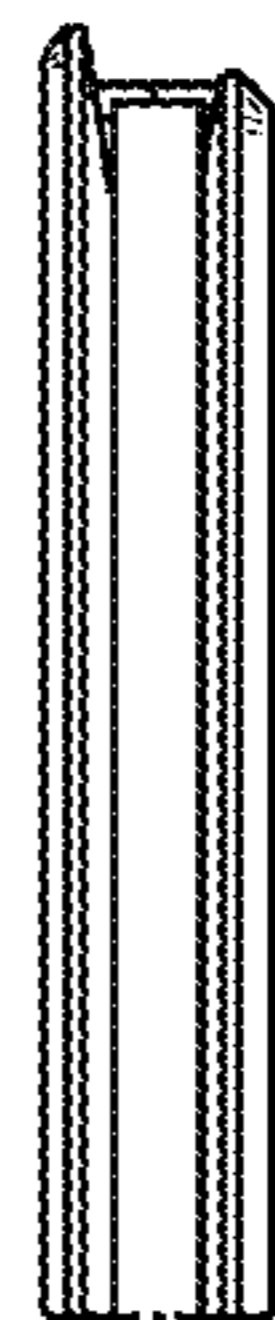


Fig. 4

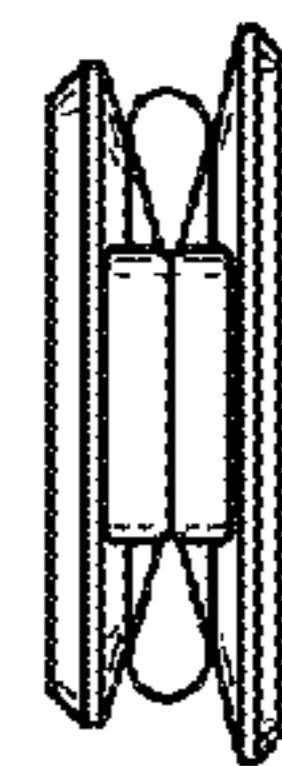


Fig. 5