



US00D703743S

(12) **United States Design Patent**
Harvey Pennaz et al.

(10) **Patent No.:** **US D703,743 S**
(45) **Date of Patent:** **** Apr. 29, 2014**

(54) **ORGANIZER**

(71) Applicant: **3M Innovative Properties Company**,
St. Paul, MN (US)

(72) Inventors: **Jane E. Harvey Pennaz**, Roseville, MN
(US); **James E. Nash**, Bloomington, MN
(US); **Gerald E. Mueller**, Eagan, MN
(US)

(73) Assignee: **3M Innovative Properties Company**,
St. Paul, MN (US)

(**) Term: **14 Years**

(21) Appl. No.: **29/458,553**

(22) Filed: **Jun. 20, 2013**

(51) **LOC (10) Cl.** **19-02**

(52) **U.S. Cl.**
USPC **D19/86**

(58) **Field of Classification Search**
USPC D6/512, 513, 518, 675, 675.1, 675.2,
D6/682.2, 683, 683.1, 700, 704, 705, 706;
D9/734, 737; D19/65, 75, 77, 78,
D19/86-92; 206/39.5, 215, 494, 555;
211/45, 50, 126.1, 126.13, 126.16;
221/45, 46, 56; D8/394, 395
See application file for complete search history.

(56) **References Cited**

U.S. PATENT DOCUMENTS

4,241,477 A * 12/1980 Freedom et al. 24/67 R
D300,298 S * 3/1989 Mori D8/72
D315,864 S * 4/1991 Embree et al. D8/395

5,018,291 A * 5/1991 Pasquale et al. 40/584
D328,668 S * 8/1992 Legrand D2/978
D332,711 S * 1/1993 Olson D6/449
D376,534 S * 12/1996 Wolff D8/395
D412,343 S * 7/1999 Offenhauer D19/65
D432,906 S * 10/2000 Stoddard D8/395
6,334,403 B1 * 1/2002 Burns 116/234
D454,447 S * 3/2002 Lanham D6/449
D492,727 S * 7/2004 Nuttall et al. D19/65
D534,588 S * 1/2007 Nuttall D19/65
D572,056 S * 7/2008 McConnell D6/511
D576,869 S * 9/2008 Yabe et al. D8/395
D578,381 S * 10/2008 Wolff D8/395
D658,052 S * 4/2012 Boucher-Gagne et al. D8/394
D659,526 S * 5/2012 Boucher-Gagne et al. D8/395
D665,860 S * 8/2012 Lovegrove et al. D21/694
D692,178 S * 10/2013 Scott et al. D28/7

* cited by examiner

Primary Examiner — Elizabeth Albert

(74) *Attorney, Agent, or Firm* — Irina Hass

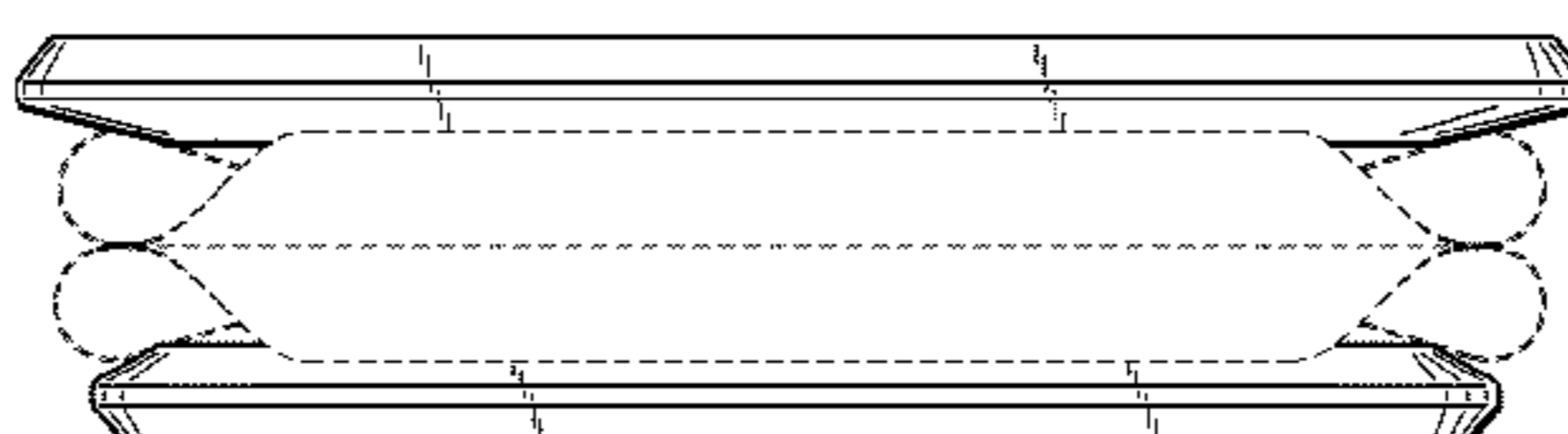
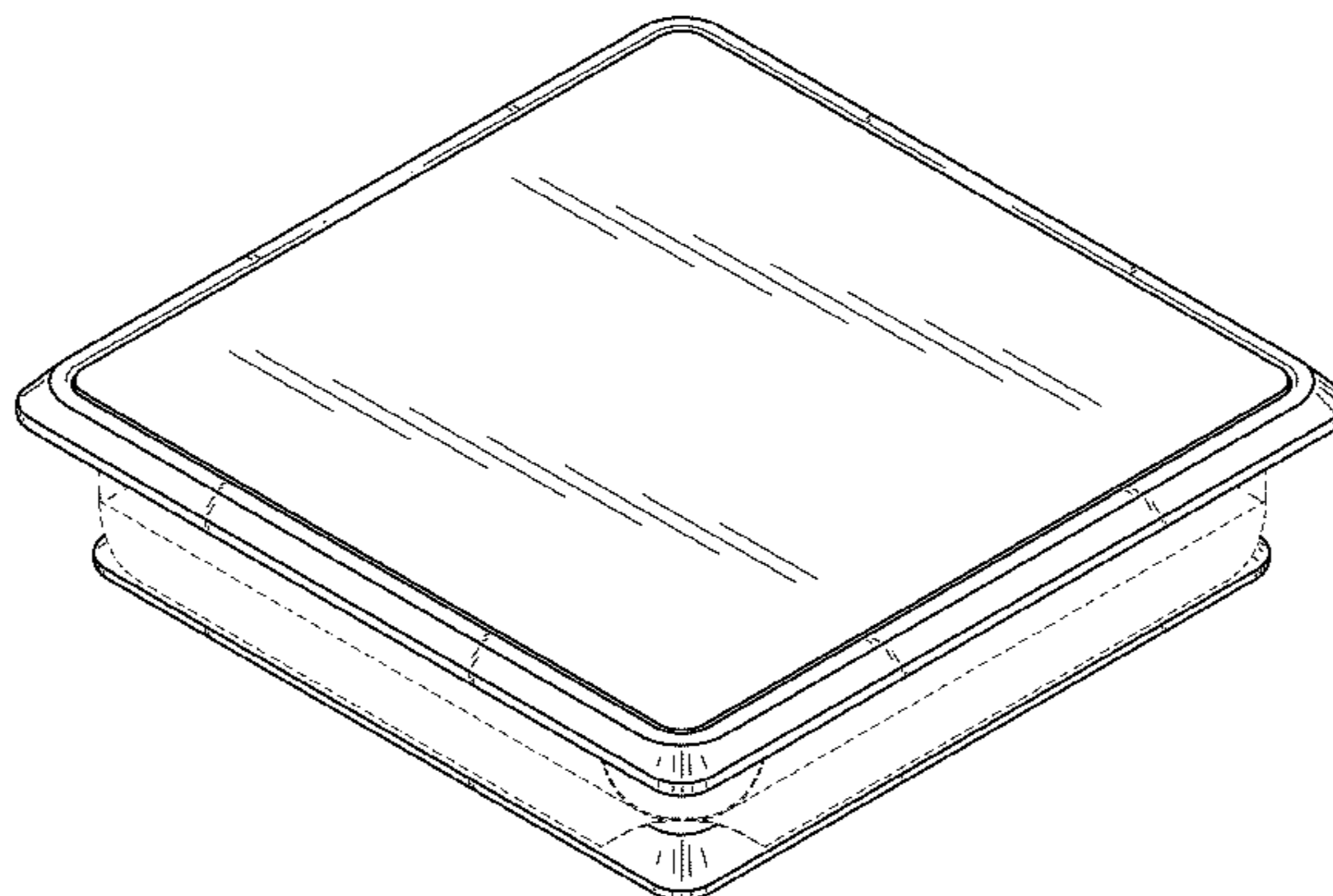
(57) **CLAIM**

The ornamental design for an organizer, as shown and described.

DESCRIPTION

FIG. 1 is a perspective view showing the new design for an organizer;
FIG. 2 is a front view thereof;
FIG. 3 is a side view thereof; and,
FIG. 4 is a rear view thereof.
The portions of the organizer in FIGS. 1, 3, and 4 shown in broken lines are included to show features that form no part of the claimed design.

1 Claim, 2 Drawing Sheets



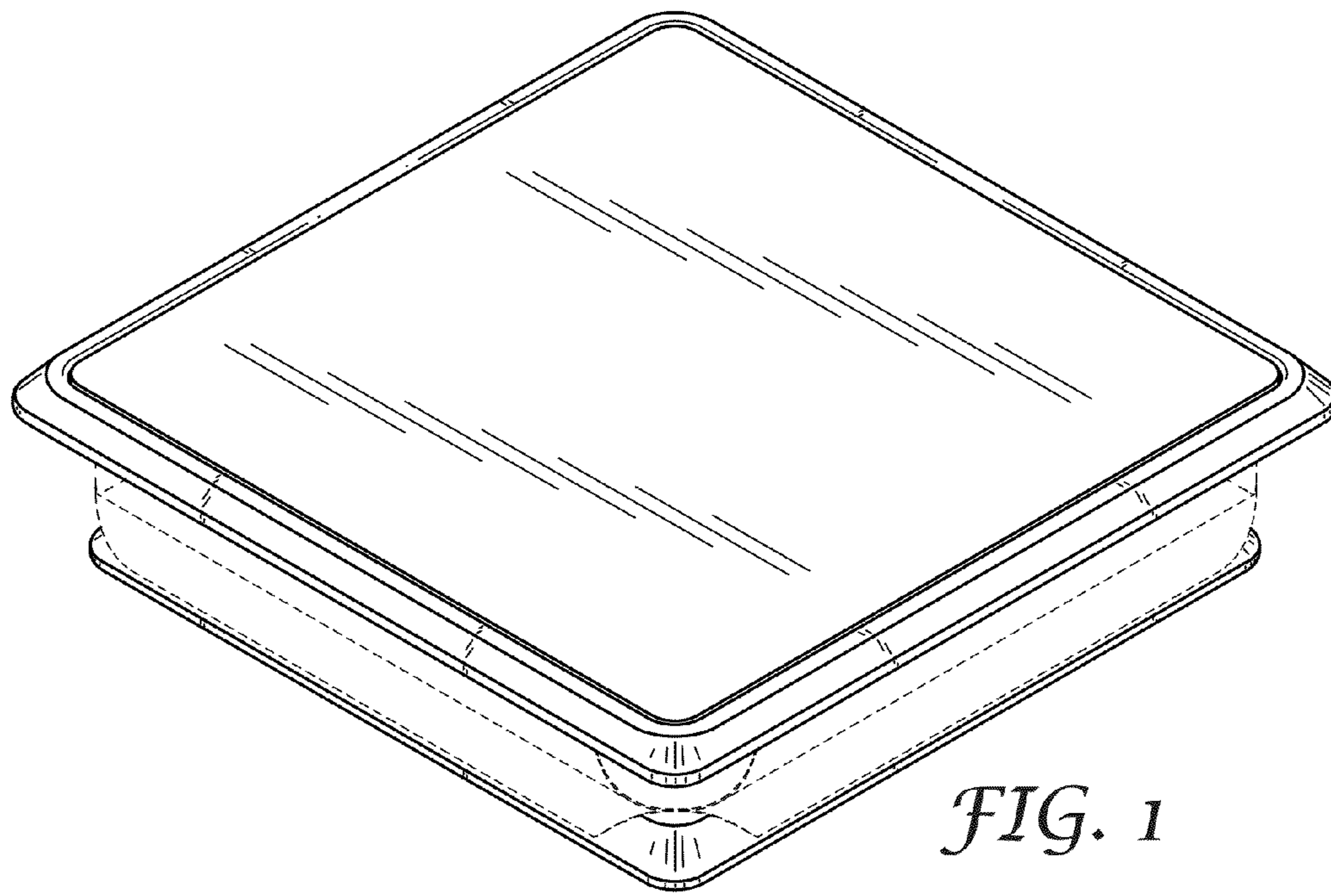


FIG. 1

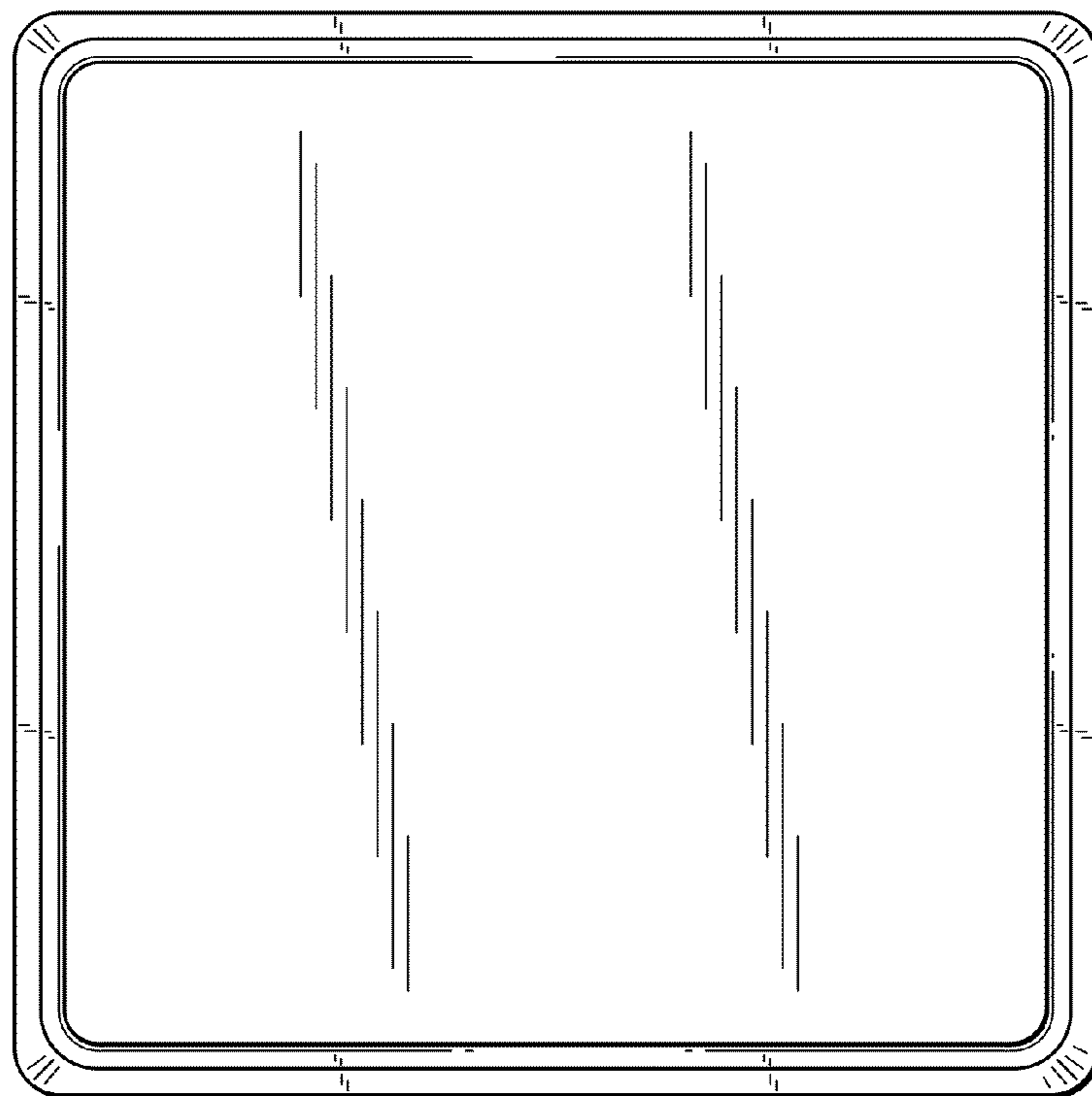


FIG. 2

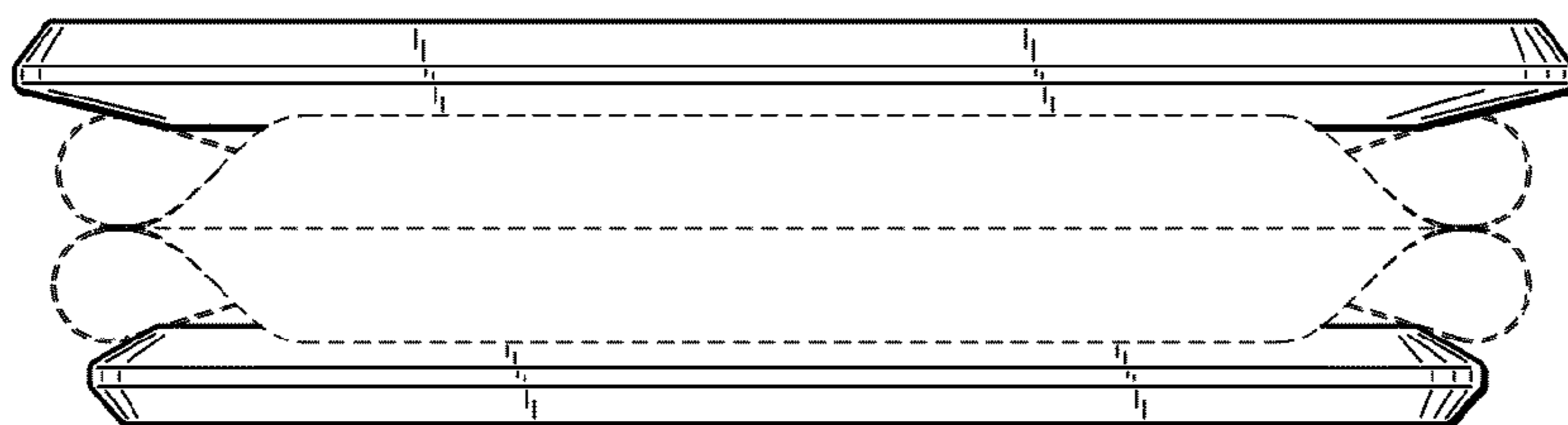


FIG. 3

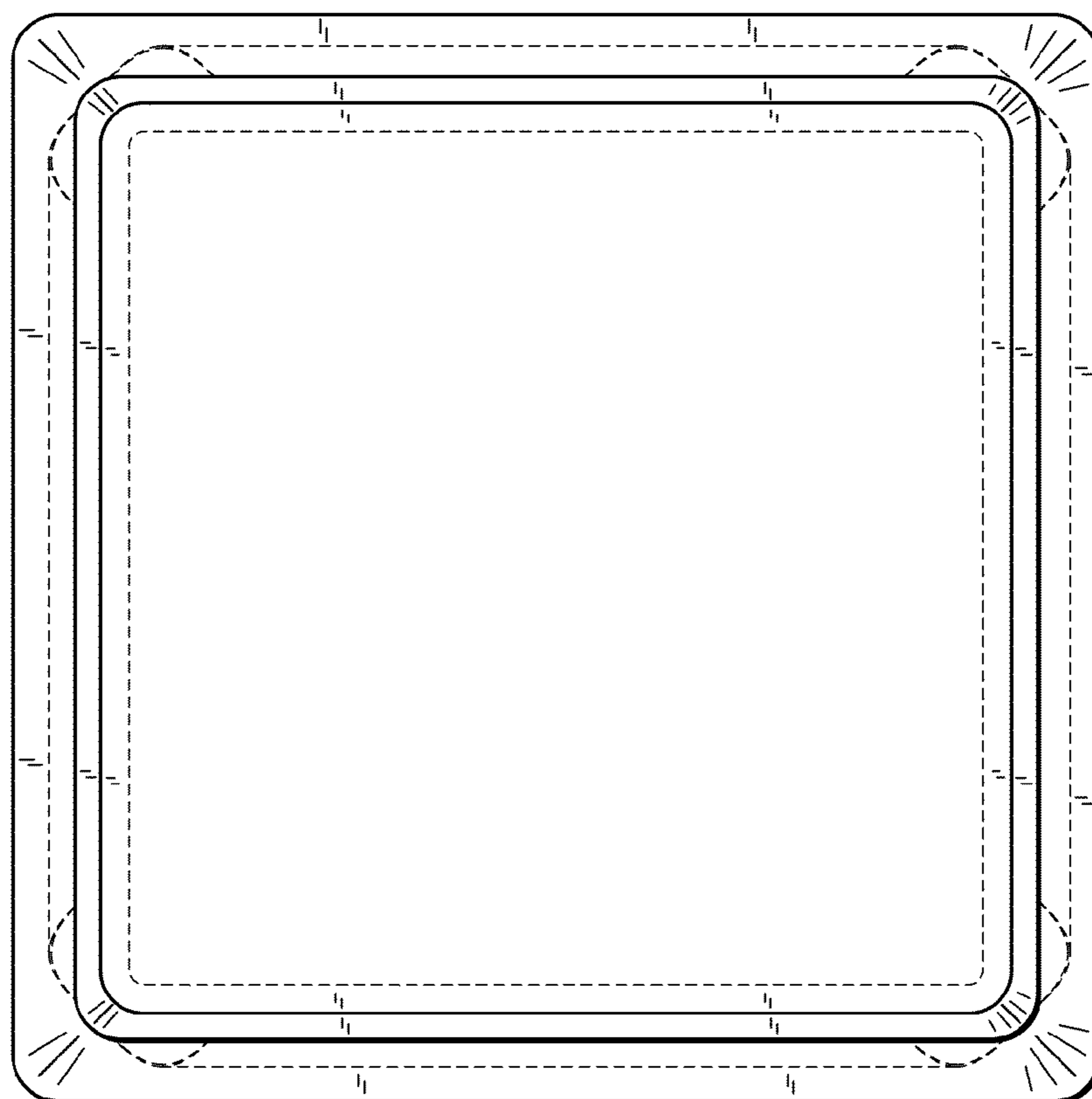


FIG. 4