



US00D703741S

(12) **United States Design Patent**  
**Ehrlich et al.**

(10) **Patent No.:** **US D703,741 S**

(45) **Date of Patent:** **\*\* Apr. 29, 2014**

(54) **FINANCIAL TRANSACTION CARDS**

(56) **References Cited**

- (71) Applicant: **Homer TLC, Inc.**, Wilmington, DE (US)
- (72) Inventors: **Nathan D. Ehrlich**, Duluth, GA (US);  
**Nichole A. Flynn**, Park Ridge, IL (US);  
**Sophie M. Rousseau**, Tucker, GA (US)
- (73) Assignee: **Homer TLC, Inc.**, Wilmington, DE (US)
- (\*\*) Term: **14 Years**

U.S. PATENT DOCUMENTS

D408,054	S	*	4/1999	Leedy, Jr. ....	D19/9
D506,340	S	*	6/2005	Brandon .....	D6/511
D512,095	S	*	11/2005	Allard et al. ....	D19/10
D526,012	S	*	8/2006	Dorr et al. ....	D19/9
D573,182	S	*	7/2008	Ricketts et al. ....	D19/10
D636,020	S	*	4/2011	Antonio .....	D19/9
D636,021	S	*	4/2011	Antonio .....	D19/10
D643,064	S	*	8/2011	Skelding et al. ....	D19/10
D650,440	S	*	12/2011	Irwin, Jr. ....	D19/10
D667,495	S	*	9/2012	Bender .....	D19/10
D676,487	S	*	2/2013	Mullen et al. ....	D19/10
D677,330	S	*	3/2013	Blum .....	D19/10

\* cited by examiner

*Primary Examiner* — Caron D Veynar  
*Assistant Examiner* — Abraham Bahta  
(74) *Attorney, Agent, or Firm* — Fulbright & Jaworski LLP

- (21) Appl. No.: **29/438,781**
- (22) Filed: **Dec. 3, 2012**
- (51) **LOC (10) Cl.** ..... **19-01**
- (52) **U.S. Cl.**  
USPC ..... **D19/10**
- (58) **Field of Classification Search**  
USPC ..... D19/1-12, 20-34, 100;  
40/124.01-124.15, 672, 661, 726, 776,  
40/617; 283/72, 74-75, 103, 105-117, 82,  
283/70, 94, 81, 907; 206/449; D21/385;  
D20/10, 22, 27, 40, 42, 11;  
D14/435-437; 235/380, 382, 487, 493,  
235/488; D6/613, 583; 360/2; 702/158, 86,  
702/97, 163, 166, 170

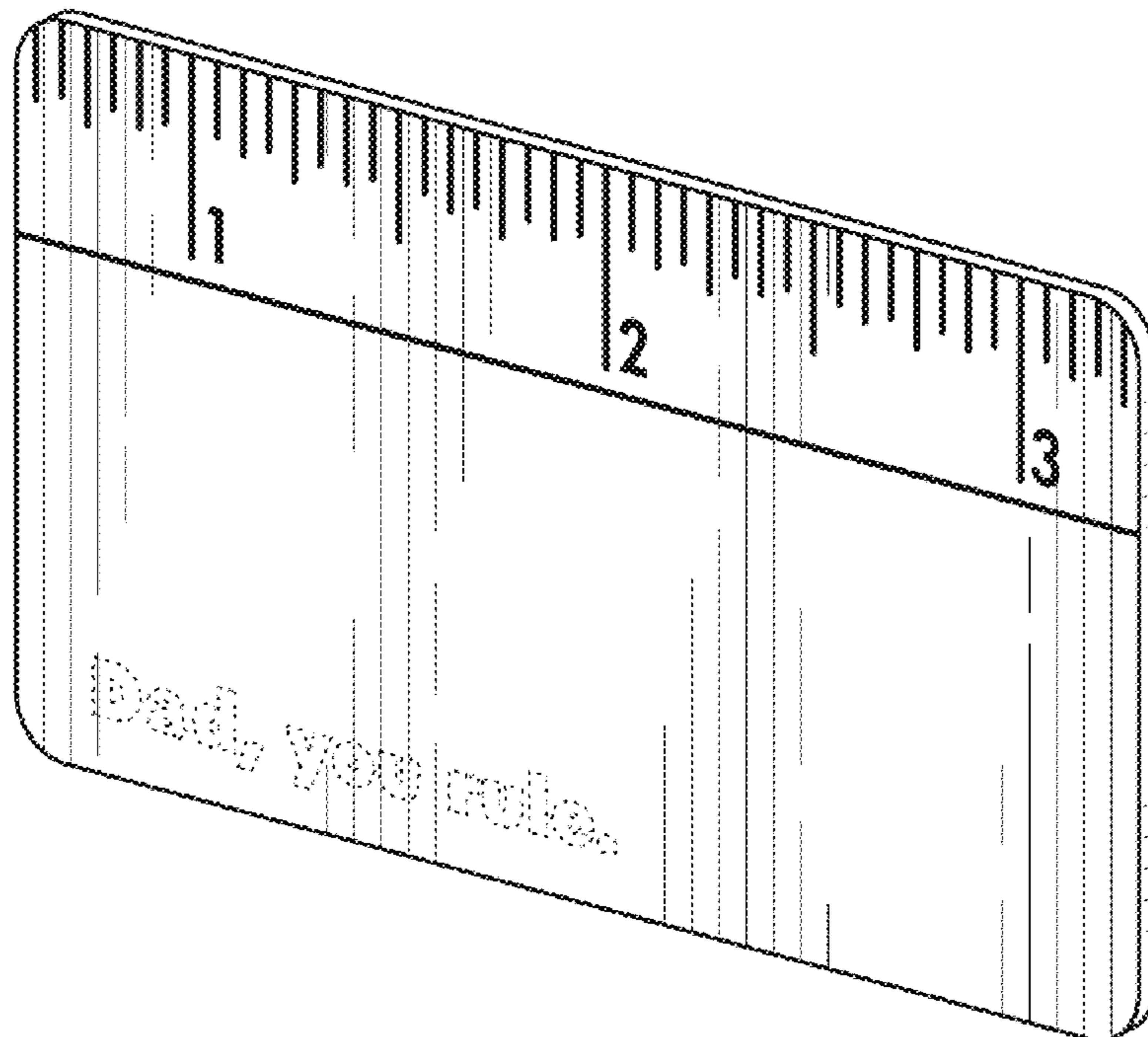
See application file for complete search history.

(57) **CLAIM**  
The ornamental design for a financial transaction card, as shown and described.

**DESCRIPTION**

FIG. 1 is a front perspective view of the financial transaction card showing our new design; FIG. 2 is a front side view thereof; and, FIG. 3 is a back side view thereof. The broken line shown in FIGS. 1-2 represents a text and the broken line shown in FIG.3 represents an example of a magnetic stripe on a financial transaction card, and forms no part of the claimed design.

**1 Claim, 1 Drawing Sheet**



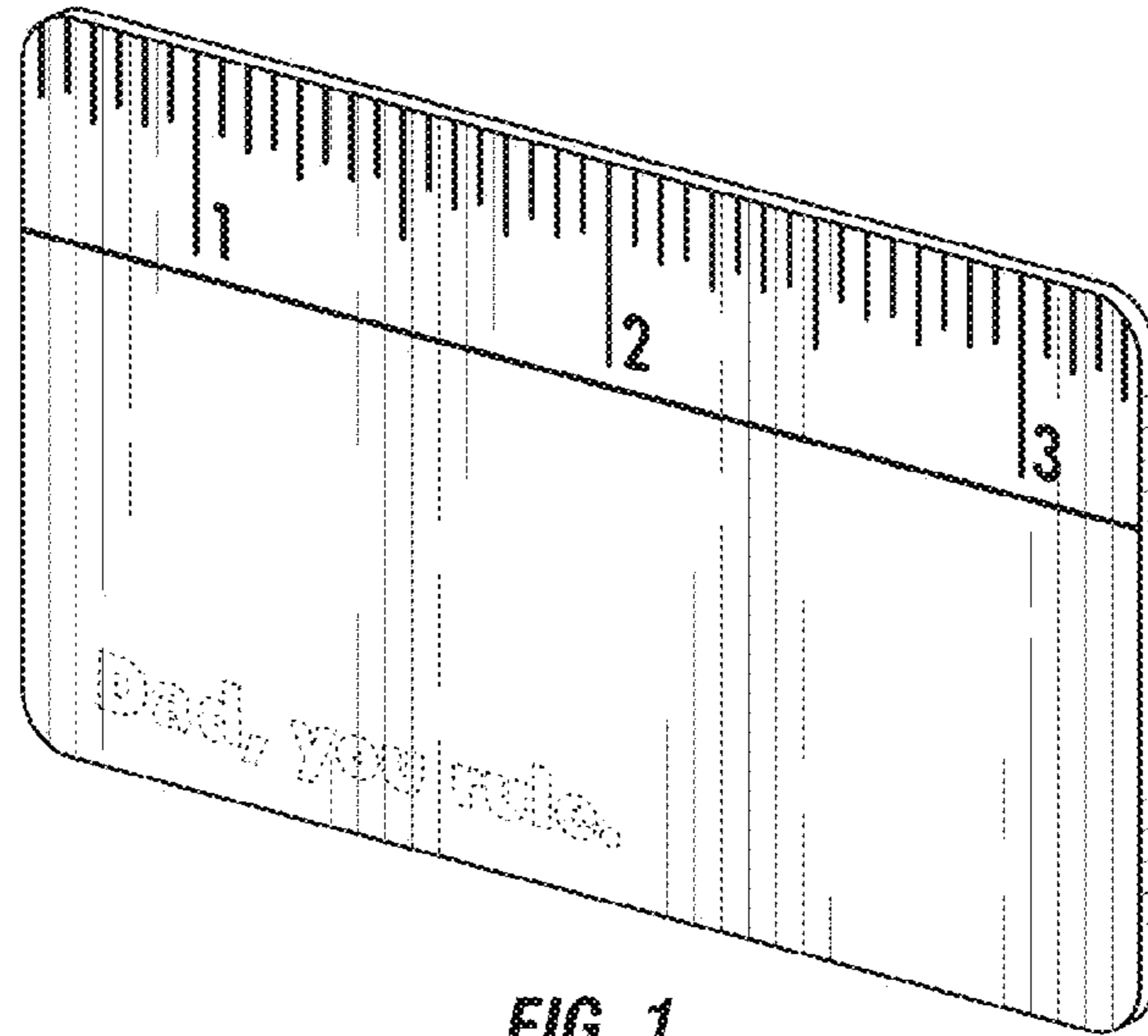


FIG. 1

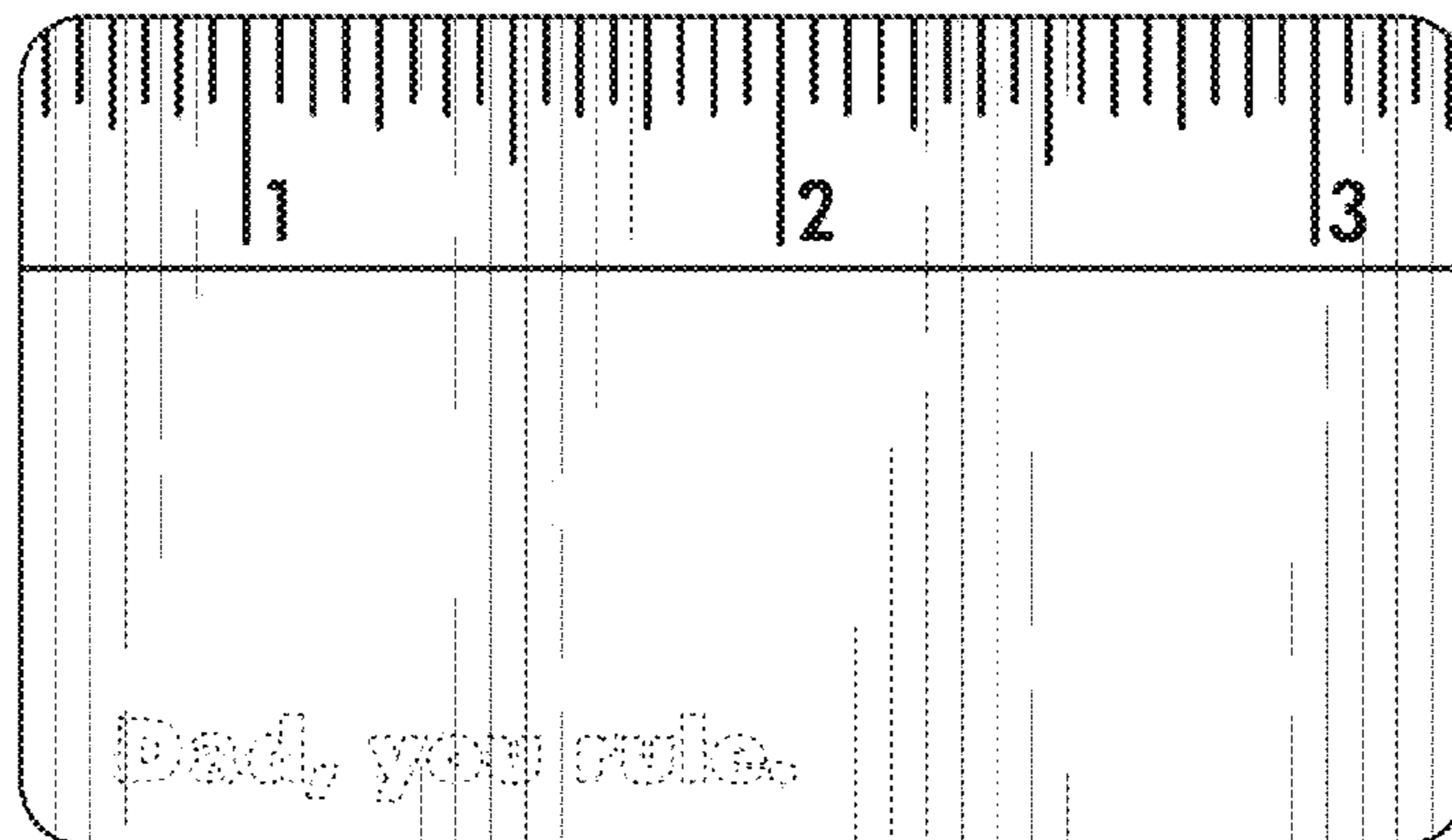


FIG. 2

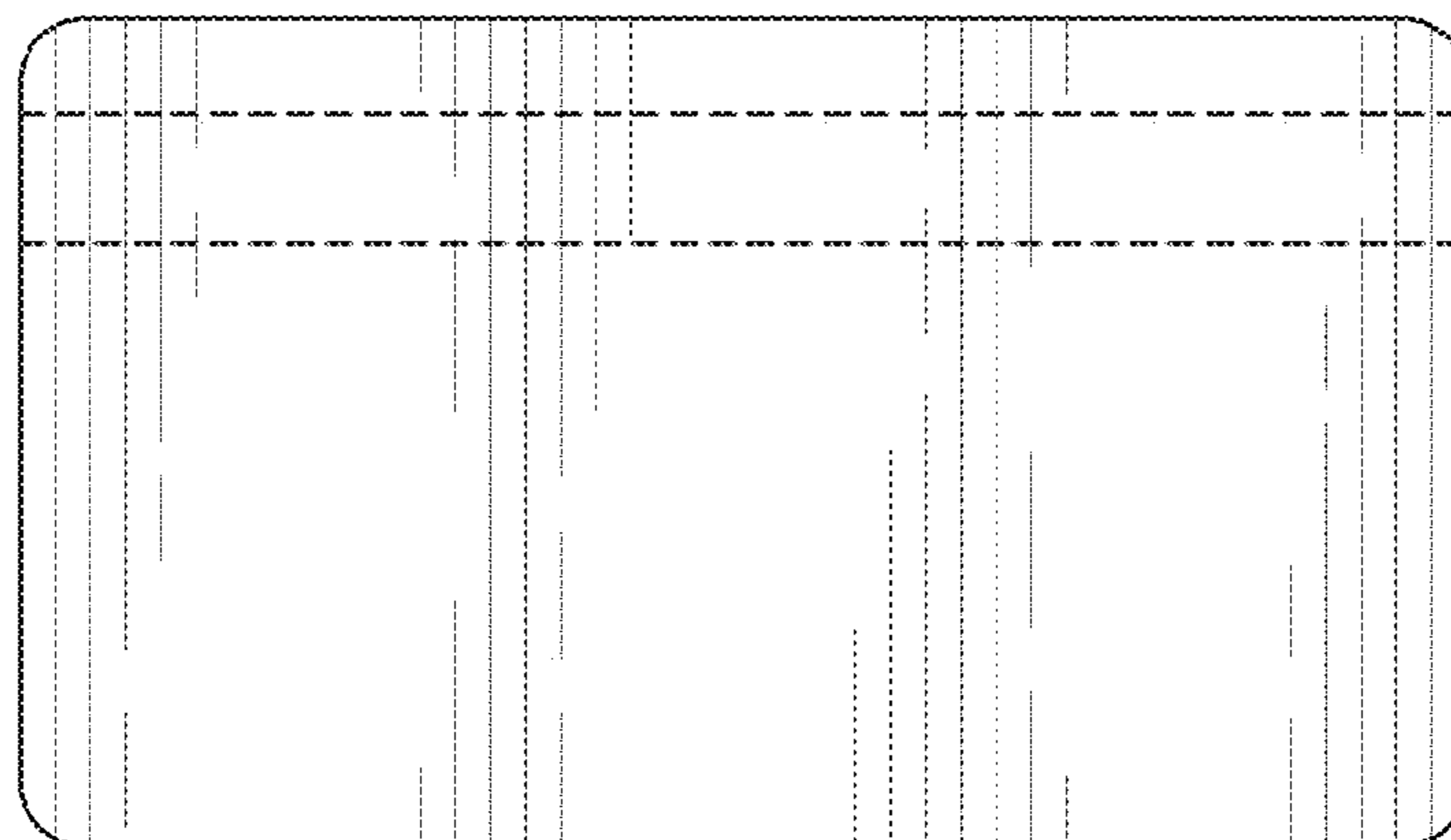


FIG. 3