



US00D703738S

(12) **United States Design Patent**
Etoh et al.

(10) **Patent No.:** **US D703,738 S**

(45) **Date of Patent:** **** Apr. 29, 2014**

(54) **PHOTOCONDUCTOR CARTRIDGE**

(71) Applicants: **Takuya Etoh**, Ohta-ku (JP); **Hongjie Tan**, Shanghai (CN); **Fei Zhang**, Shanghai (CN); **Junquan Huang**, Shanghai (CN); **Chuanyi Yang**, Shanghai (CN)

(72) Inventors: **Takuya Etoh**, Ohta-ku (JP); **Hongjie Tan**, Shanghai (CN); **Fei Zhang**, Shanghai (CN); **Junquan Huang**, Shanghai (CN); **Chuanyi Yang**, Shanghai (CN)

(73) Assignee: **Ricoh Company, Ltd.**, Tokyo (JP)

(**) Term: **14 Years**

(21) Appl. No.: **29/445,120**

(22) Filed: **Feb. 7, 2013**

(30) **Foreign Application Priority Data**

Oct. 30, 2012 (JP) 2012-026316

(51) **LOC (10) Cl.** **18-02**

(52) **U.S. Cl.**
USPC **D18/56**

(58) **Field of Classification Search**
USPC D18/40, 43, 56; 347/86-87
See application file for complete search history.

(56) **References Cited**

U.S. PATENT DOCUMENTS

D501,022 S * 1/2005 Saiki et al. D18/40
D544,528 S * 6/2007 Kim D18/43

D584,345 S * 1/2009 Choi et al. D18/43
D597,594 S * 8/2009 Ito et al. D18/56
D647,956 S * 11/2011 Kweon et al. D18/43
D650,835 S * 12/2011 Han D18/43
D666,665 S * 9/2012 Kweon et al. D18/43

* cited by examiner

Primary Examiner — Cathy A MacCormac

(74) *Attorney, Agent, or Firm* — Oblon, Spivak, McClelland, Maier & Neustadt, L.L.P.

(57) **CLAIM**

The ornamental design for a photoconductor cartridge, as shown and described.

DESCRIPTION

FIG. 1 is a front elevational view of a photoconductor cartridge;
FIG. 2 is a left side elevational view thereof;
FIG. 3 is a right side elevational view thereof;
FIG. 4 is a top plan view thereof;
FIG. 5 is a bottom plan view thereof;
FIG. 6 is a front, top, and left side perspective view thereof;
FIG. 7 is a front, bottom, and right side perspective view thereof; and,
FIG. 8 is a detail view showing a partial enlarged front elevational view thereof, along line 8-8 in FIG. 1.
The broken lines in the drawings depict environmental subject matter only and form no part of the claimed design. The dash-dot lines in FIG. 8 correspond to the area defined by lines 8-8 in FIG. 1 and form no part of the claimed design.

1 Claim, 4 Drawing Sheets

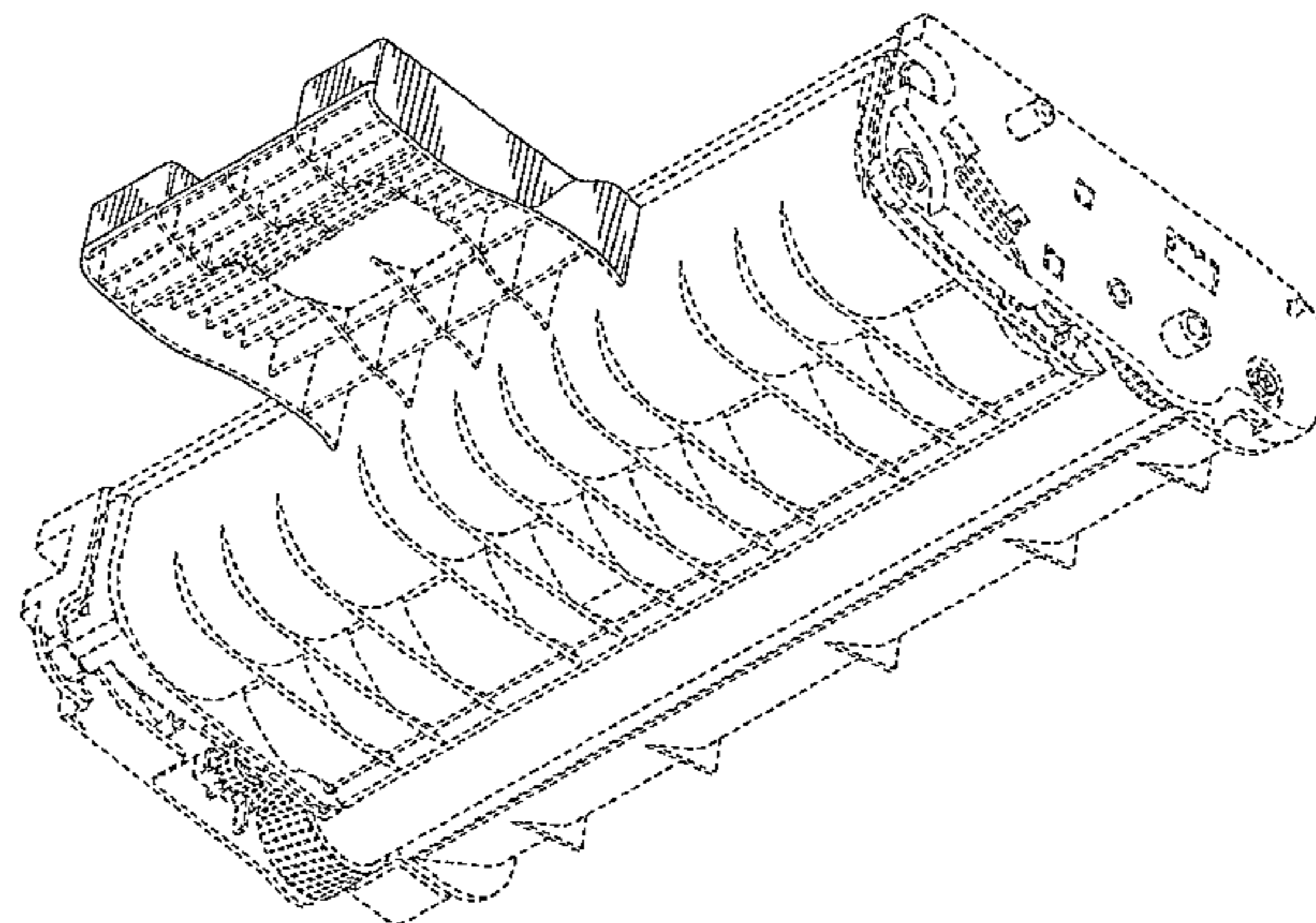
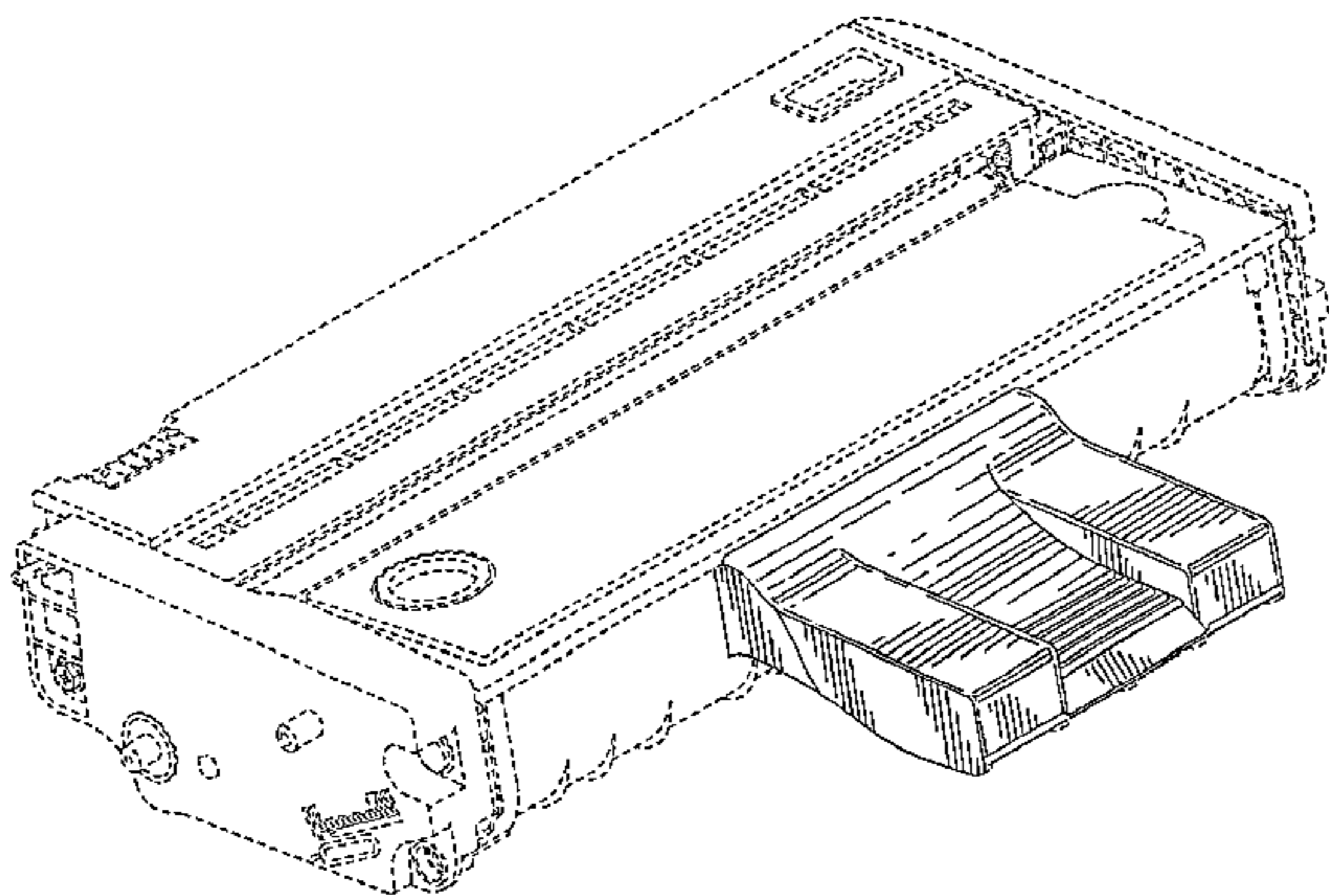


FIG. 1

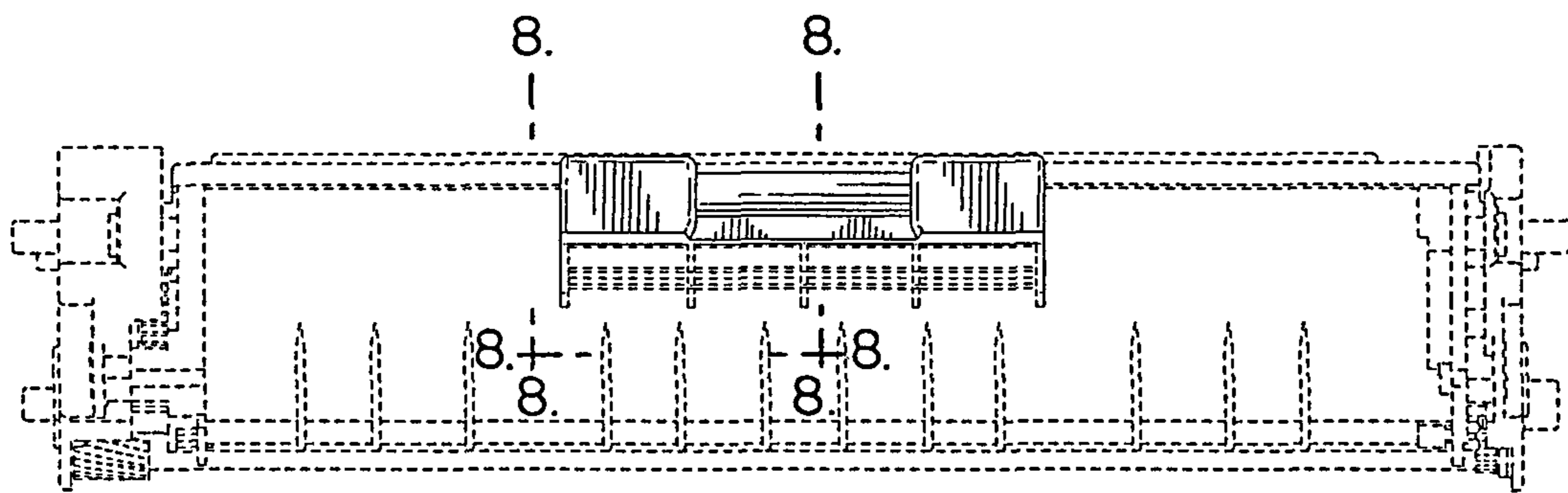


FIG. 2

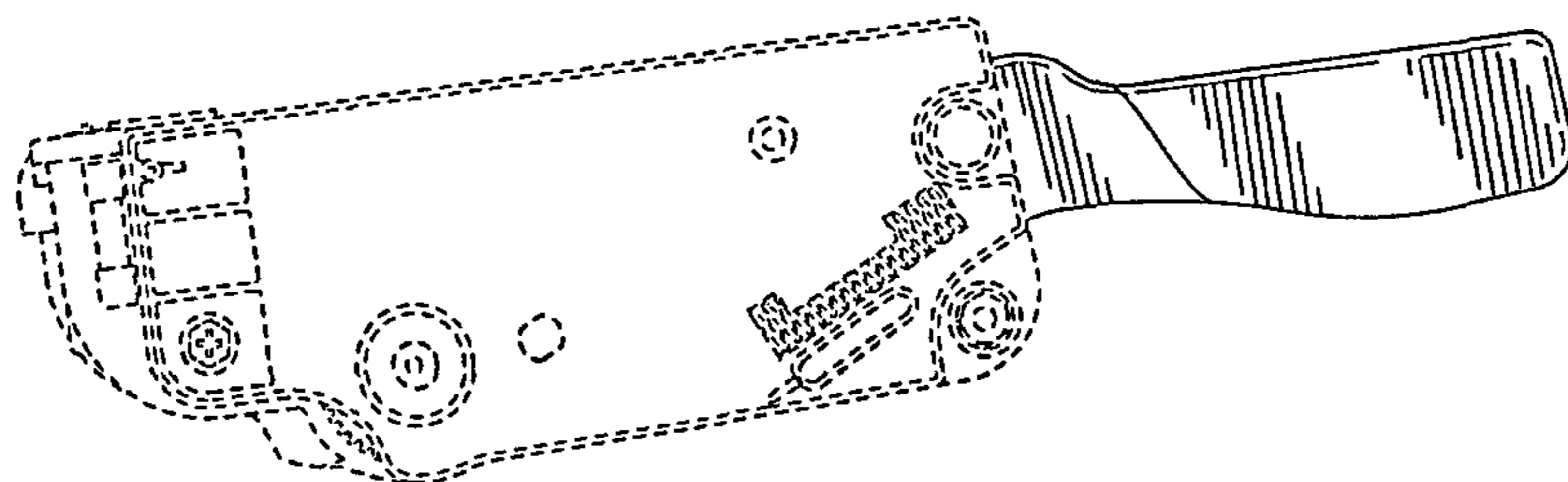


FIG.3

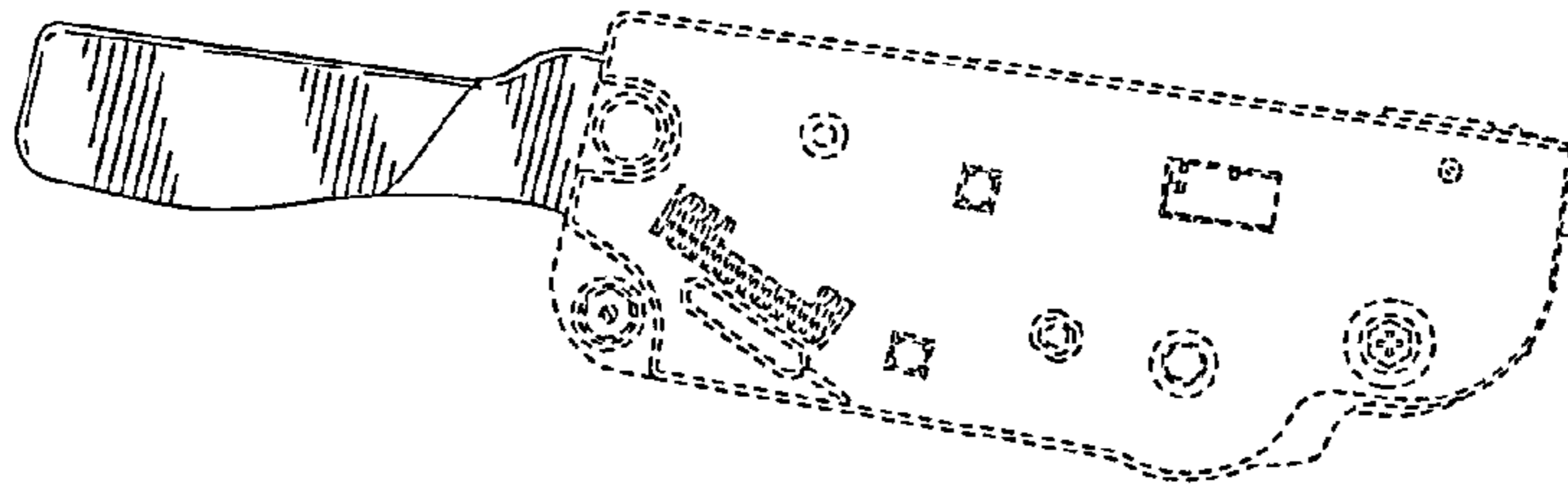


FIG.4

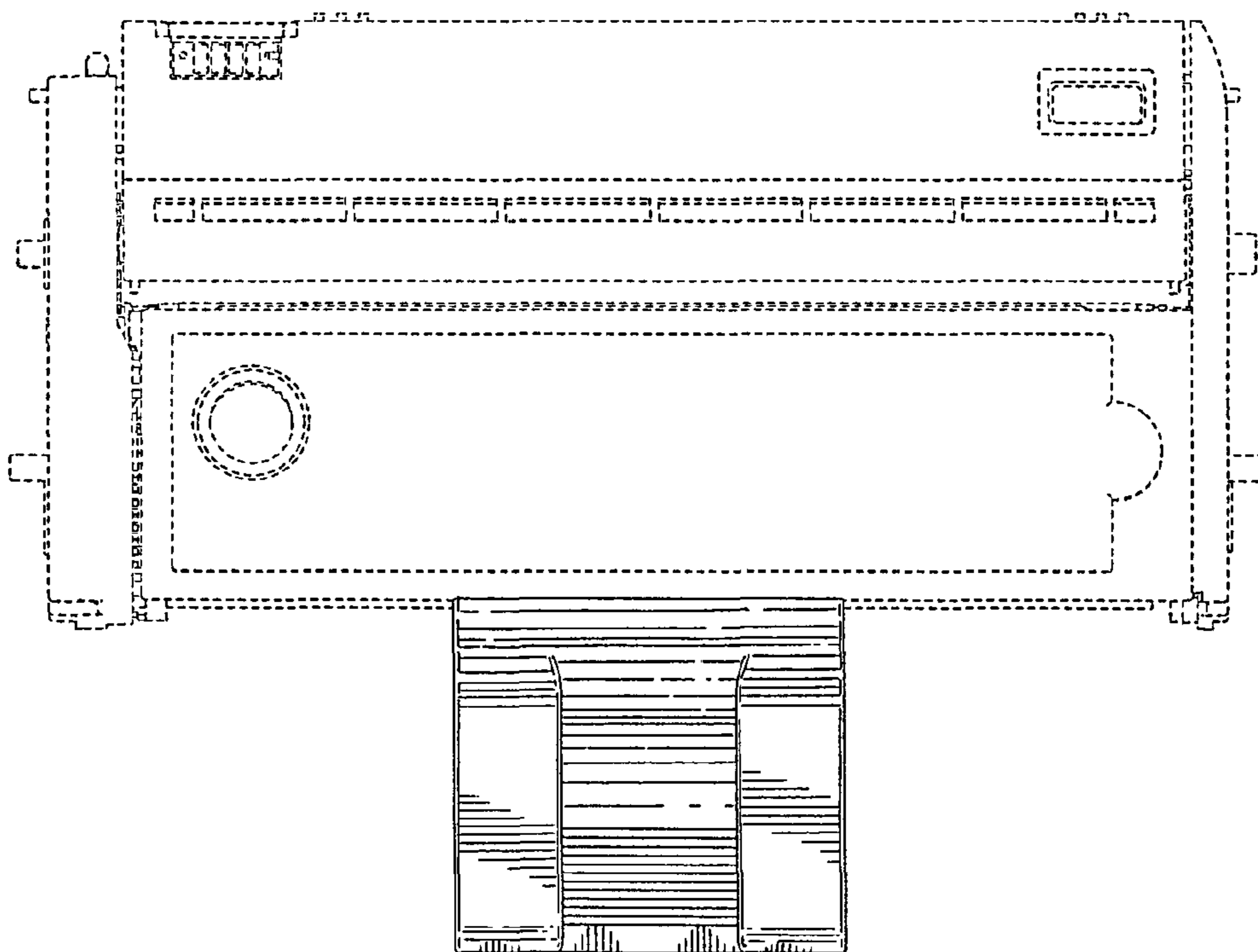


FIG.5

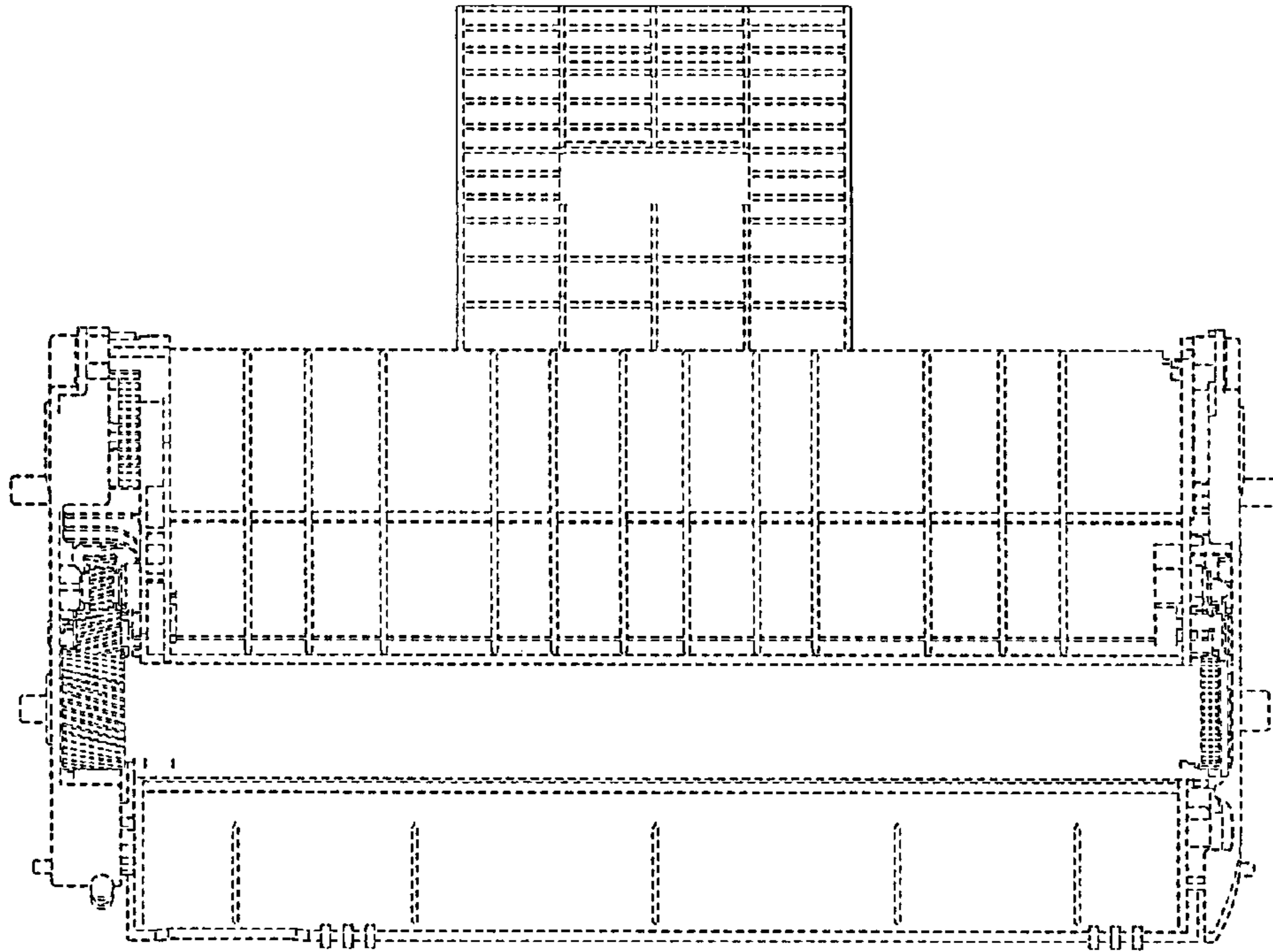


FIG.6

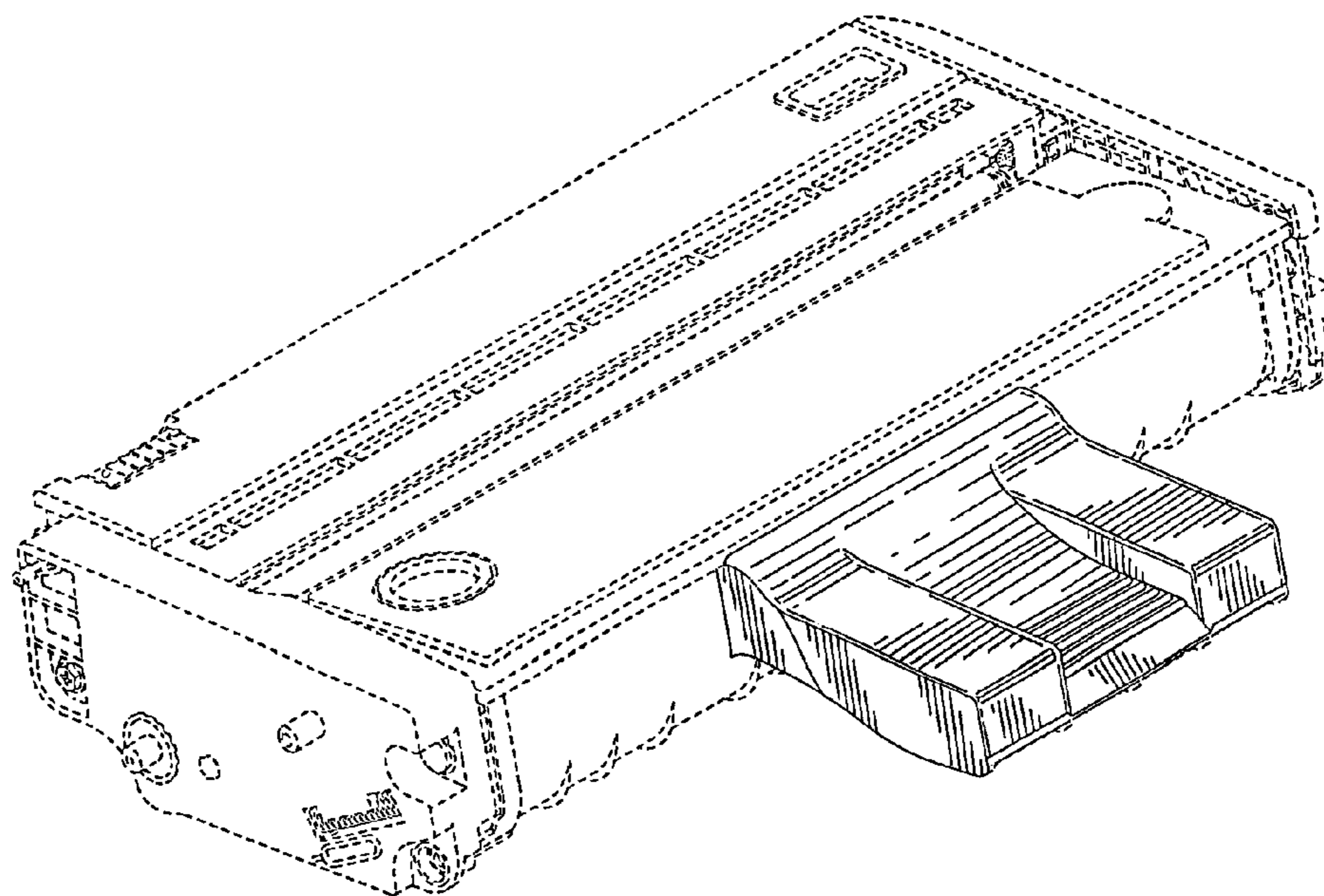


FIG.7

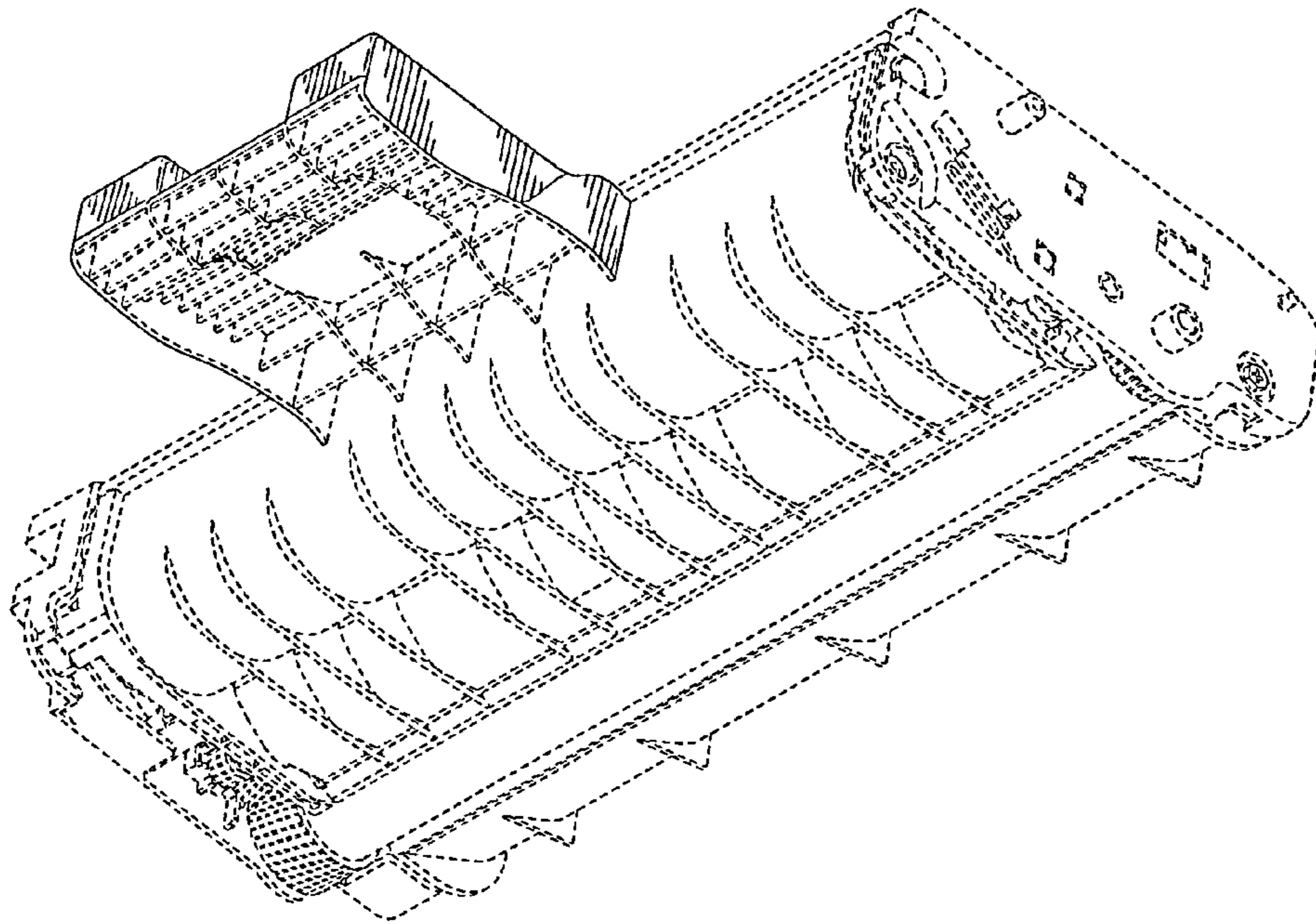


FIG.8

