



US00D703737S

(12) **United States Design Patent**  
**Nakayama et al.**

(10) **Patent No.:** **US D703,737 S**  
(45) **Date of Patent:** **\*\* Apr. 29, 2014**

(54) **LABEL PRINTER**

(56) **References Cited**

(71) Applicant: **Seiko Epson Corporation**, Tokyo (JP)

U.S. PATENT DOCUMENTS

(72) Inventors: **Tetsu Nakayama**, Matsumoto (JP);  
**Yoshihiro Tatara**, Shiojiri (JP); **Yuko Fujikawa**, Shiojiri (JP); **Yasutomo Takahashi**, Matsumoto (JP); **Daisuke Sato**, Matsumoto (JP)

|           |   |   |         |                 |       |         |
|-----------|---|---|---------|-----------------|-------|---------|
| D332,462  | S | * | 1/1993  | Takahashi       | ..... | D18/19  |
| D363,082  | S | * | 10/1995 | Watanabe et al. | ..... | D18/19  |
| D378,377  | S | * | 3/1997  | Komatsu         | ..... | D18/19  |
| D398,629  | S | * | 9/1998  | Nakamura et al. | ..... | D18/19  |
| D410,674  | S | * | 6/1999  | Tanaka et al.   | ..... | D18/19  |
| 5,921,688 | A | * | 7/1999  | Furuya et al.   | ..... | 101/288 |
| D424,606  | S | * | 5/2000  | Yatabe          | ..... | D18/19  |
| D477,629  | S | * | 7/2003  | Hattori et al.  | ..... | D18/19  |
| D490,842  | S | * | 6/2004  | Kamiya et al.   | ..... | D18/19  |
| D526,005  | S | * | 8/2006  | Matsumoto       | ..... | D18/19  |

(73) Assignee: **Seiko Epson Corporation**, Tokyo (JP)

\* cited by examiner

(\*\*) Term: **14 Years**

*Primary Examiner* — Cathy A MacCormac

(21) Appl. No.: **29/435,769**

(57) **CLAIM**

The ornamental design for a label printer, as shown and described.

(22) Filed: **Oct. 29, 2012**

**DESCRIPTION**

(30) **Foreign Application Priority Data**

Jun. 13, 2012 (JP) ..... 2012-014025

(51) **LOC (10) Cl.** ..... **18-02**

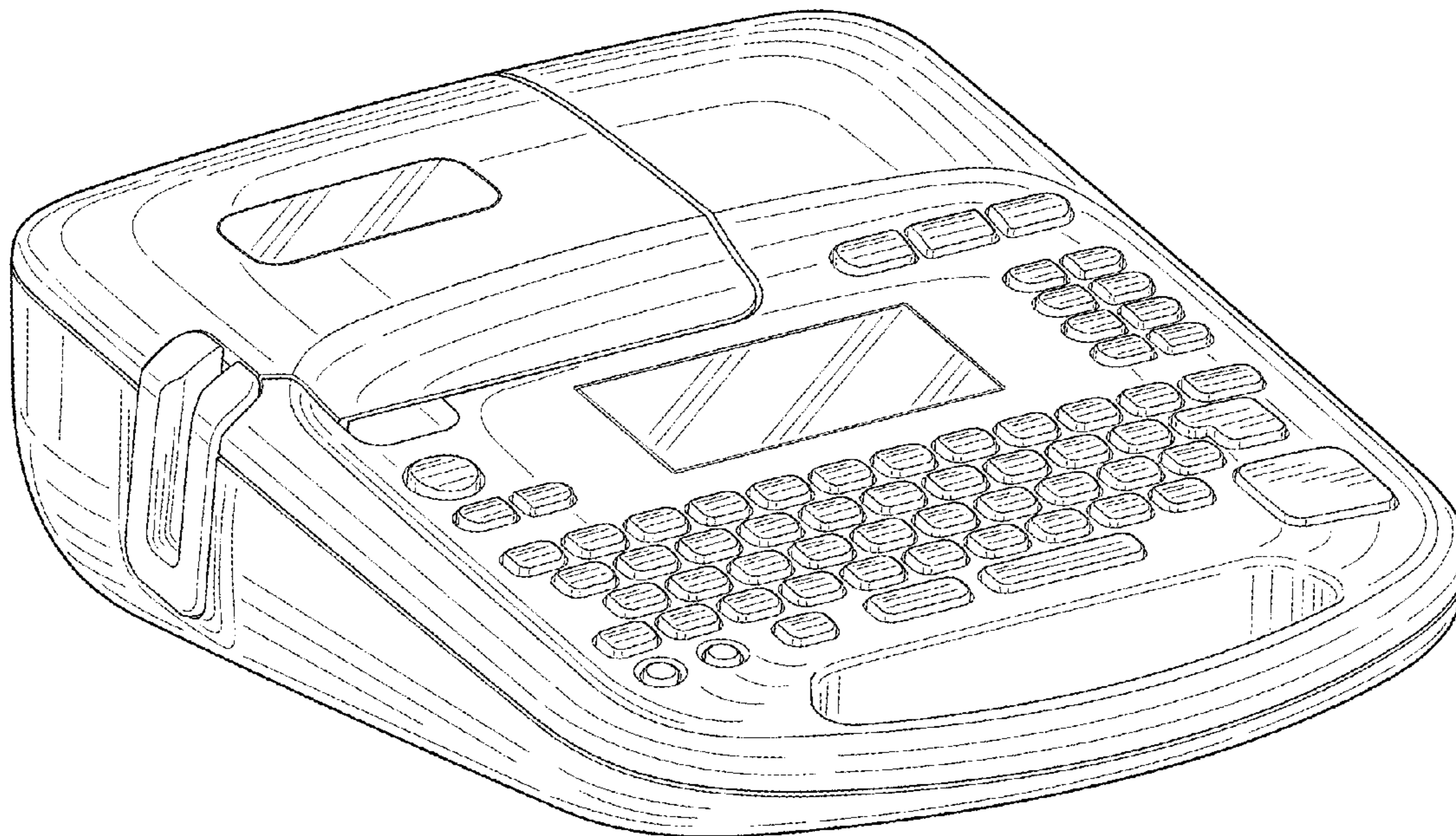
(52) **U.S. Cl.**  
USPC ..... **D18/52**

(58) **Field of Classification Search**  
USPC ..... D18/6-7, 14, 19, 52; D14/347, 426;  
D19/68; 101/288; 156/384; 400/56,  
400/62-63

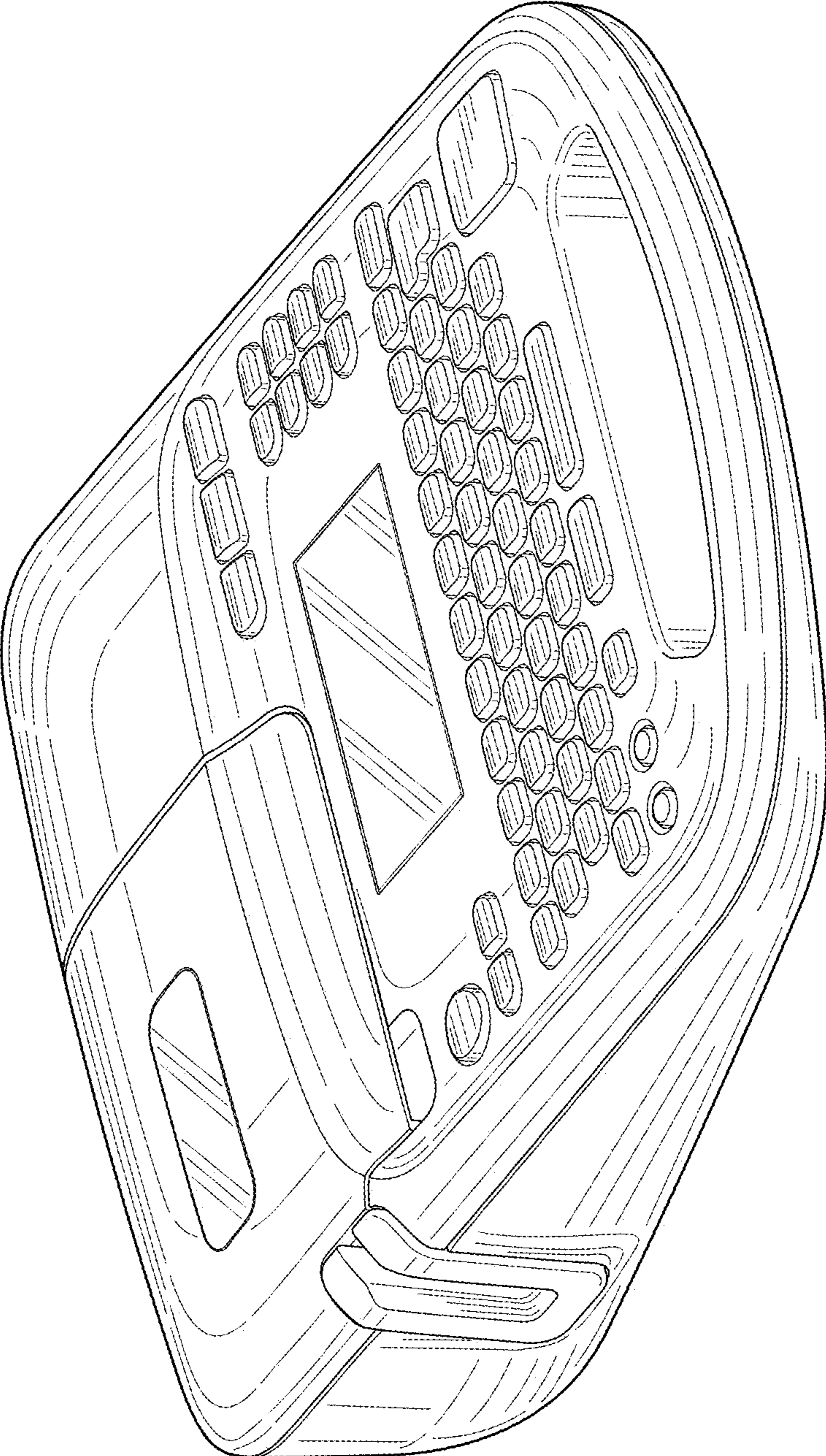
FIG. 1 is a front, top, and left side perspective view of a label printer showing our new design;  
FIG. 2 is a rear, bottom, and right side perspective view thereof;  
FIG. 3 is a front view thereof;  
FIG. 4 is a rear view thereof;  
FIG. 5 is a top plan view thereof;  
FIG. 6 is a bottom plan view thereof;  
FIG. 7 is a right side view thereof; and,  
FIG. 8 is a left side view thereof.  
The broken lines are for illustration only and form no part of the claimed design.

See application file for complete search history.

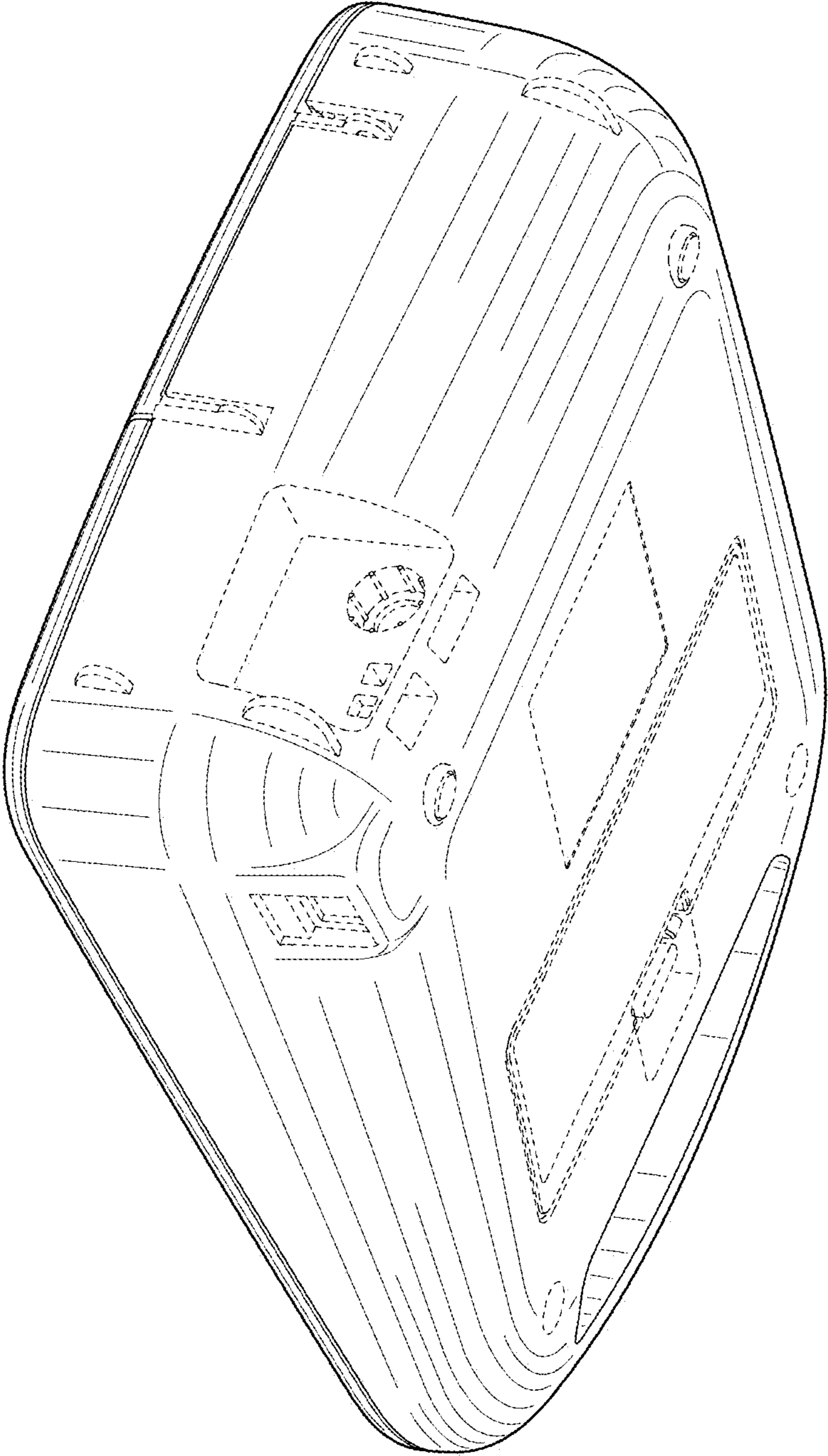
**1 Claim, 8 Drawing Sheets**



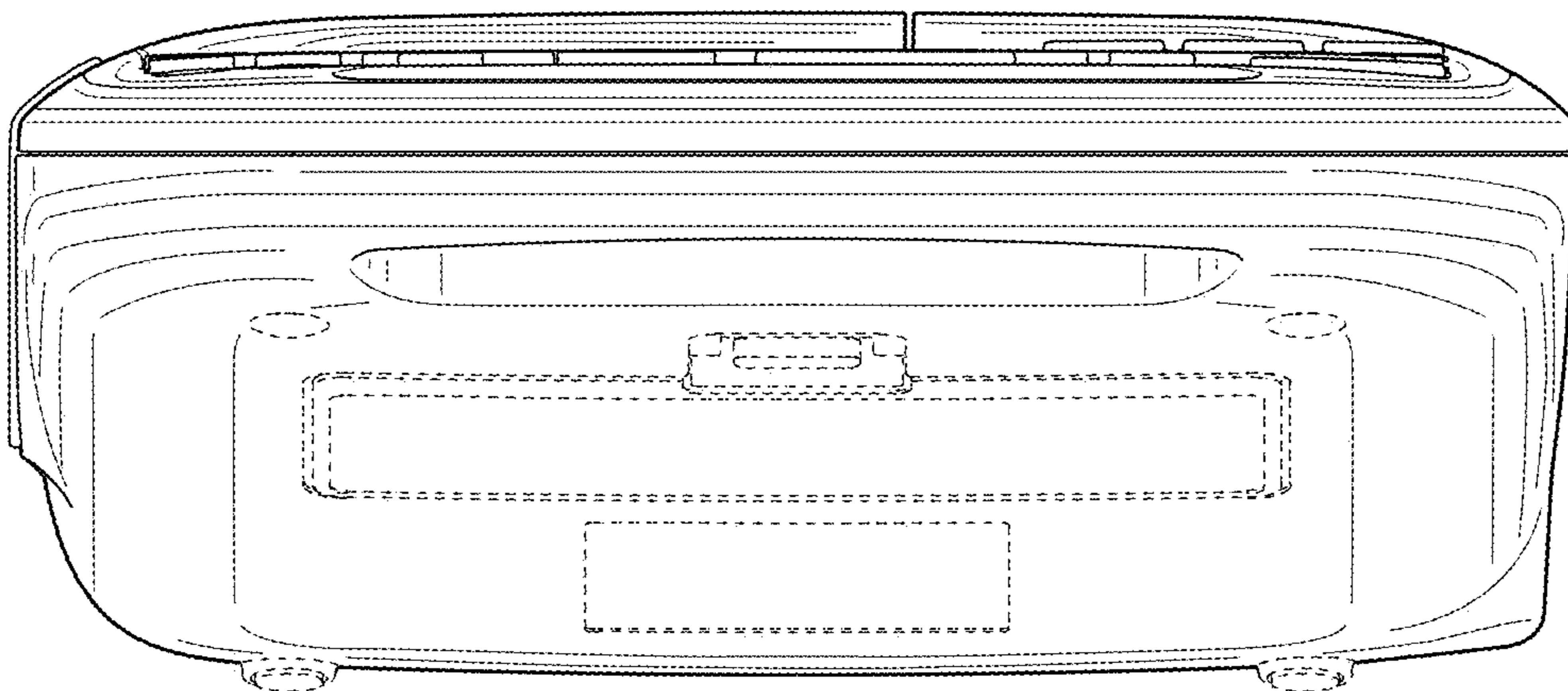
**FIG. 1**



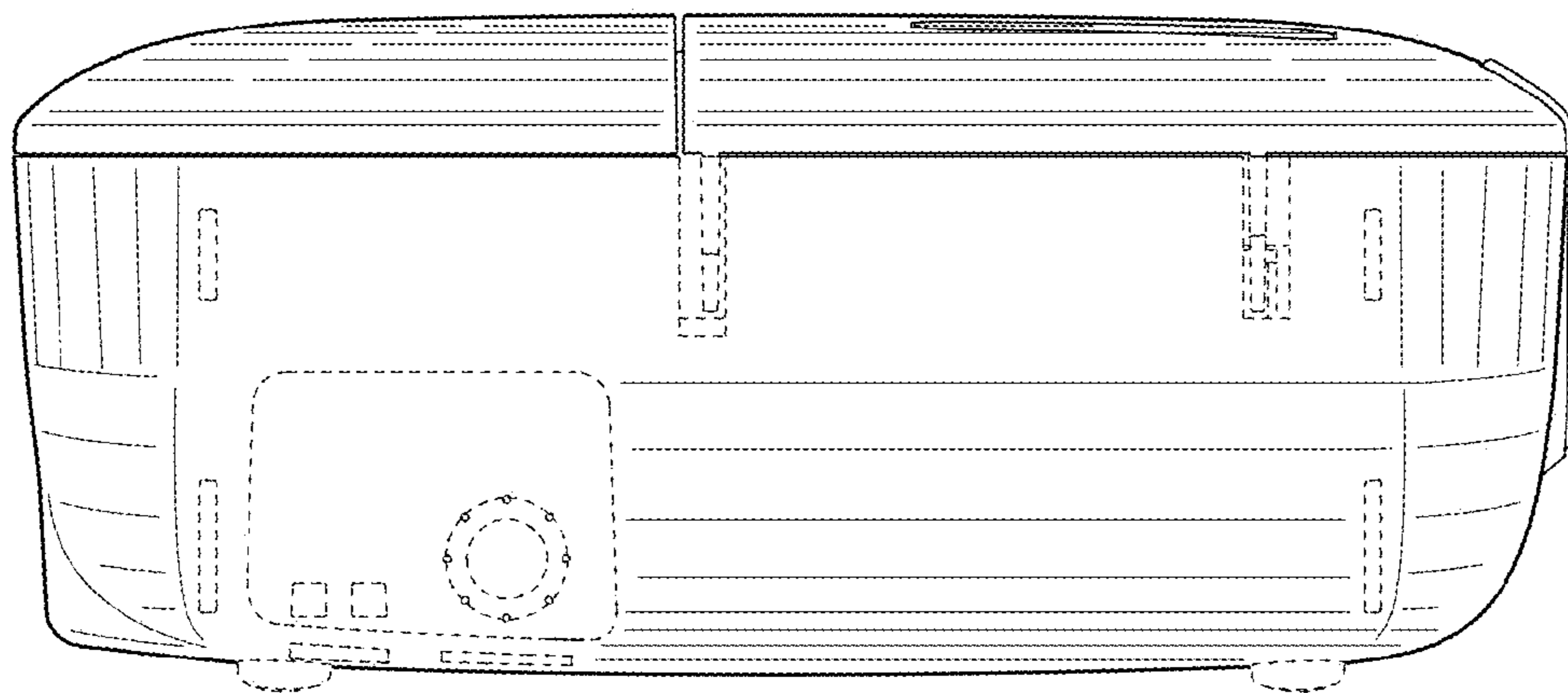
**FIG. 2**



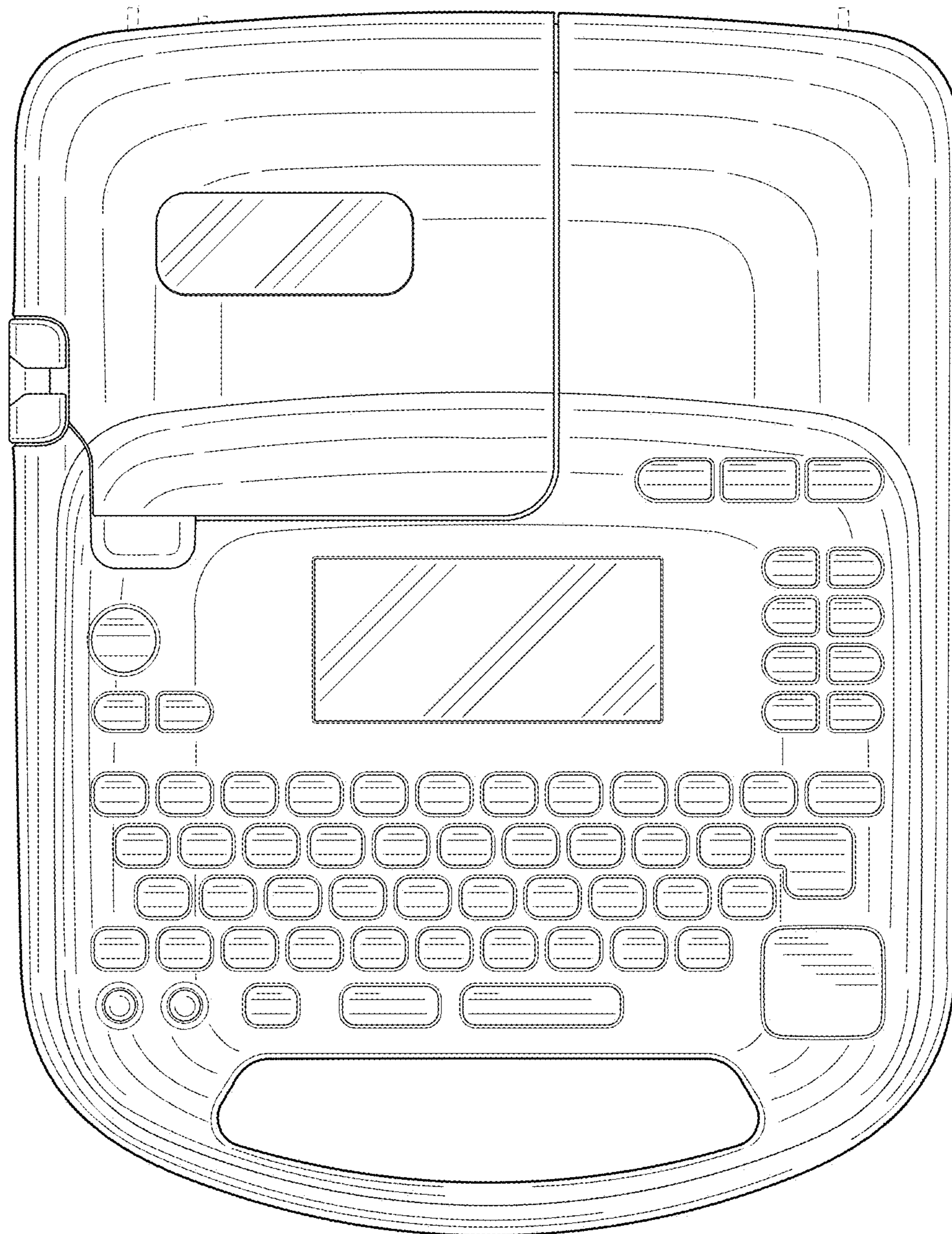
*FIG. 3*



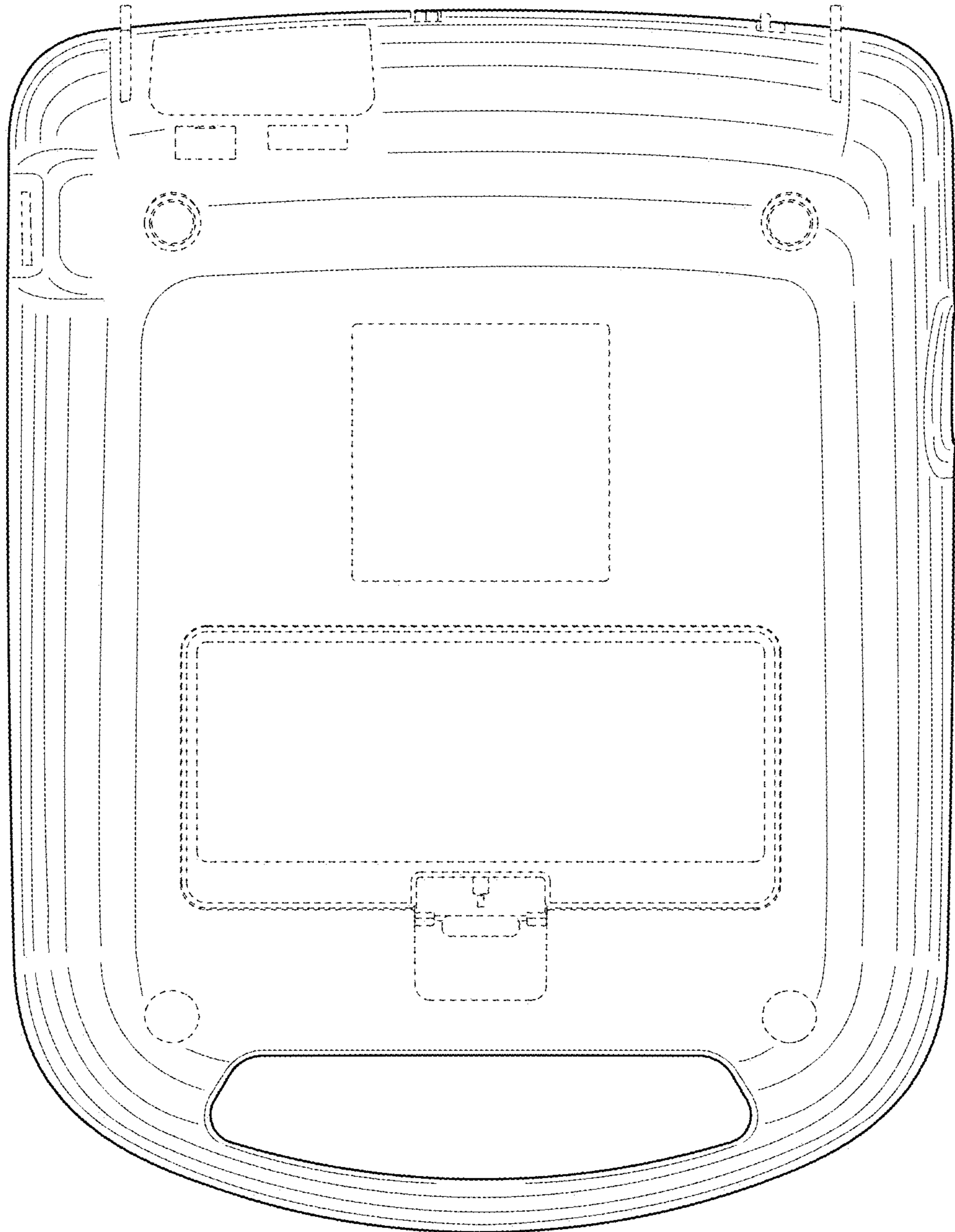
**FIG. 4**



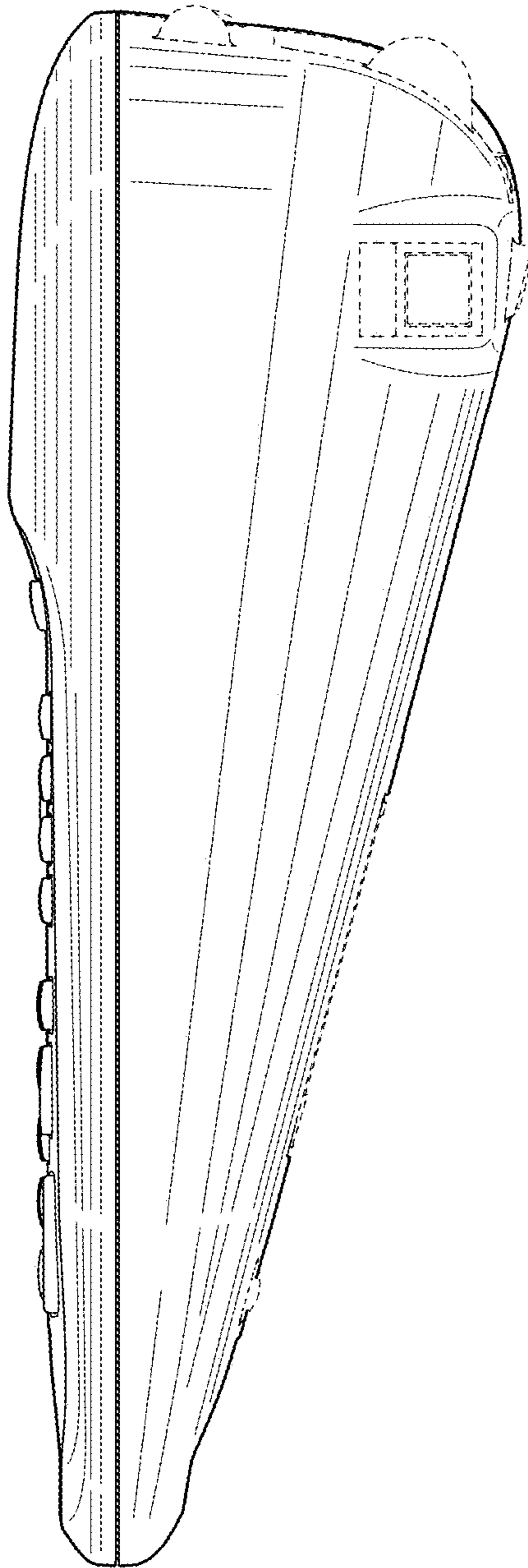
**FIG. 5**



**FIG. 6**



**FIG. 7**





*FIG. 8*

