



US00D703736S

(12) **United States Design Patent**
Best et al.

(10) **Patent No.:** **US D703,736 S**
(45) **Date of Patent:** **** Apr. 29, 2014**

(54) **FOOD SAFETY PRINTER**

OTHER PUBLICATIONS

(75) Inventors: **David J. Best**, Miamisburg, OH (US);
Clyde N. Tharp, Dayton, OH (US)

(73) Assignee: **Avery Dennison Corporation**,
Glendale, CA (US)

(**) Term: **14 Years**

(21) Appl. No.: **29/427,758**

(22) Filed: **Jul. 23, 2012**

(51) **LOC (10) Cl.** **14-02**

(52) **U.S. Cl.**
USPC **D18/50**

(58) **Field of Classification Search**
USPC D18/14, 19, 36-38, 50, 53, 54, 54.1, 55,
D18/59; D14/420-425, 462-470; 400/613,
400/613.1-613.4, 690.1-690.4, 691-694
See application file for complete search history.

(56) **References Cited**

U.S. PATENT DOCUMENTS

D197,445	S	*	2/1964	Bravo	D18/36
D197,818	S	*	3/1964	Hockenberry	D18/36
D207,059	S	*	2/1967	Regal	D14/469
D210,427	S	*	3/1968	Bravo et al.	D18/37
D213,446	S	*	3/1969	Sabella	D14/420
D218,538	S	*	8/1970	Bixler et al.	D18/54
D239,719	S	*	4/1976	Tooke	D18/54
D279,902	S	*	7/1985	Genaro et al.	D18/54
D319,636	S	*	9/1991	Lampe	D18/54
D350,364	S	*	9/1994	Kawashima et al.	D18/50
D477,018	S	*	7/2003	Dwyer et al.	D18/50
D552,166	S	*	10/2007	Ohashi	D18/50
D630,679	S	*	1/2011	Yoshioka et al.	D18/50

“Innovative Food Rotation Label System for Restaurants Saves Time Reduces Waste”, Ecolab, May 22, 2010.
[“http://fss.ecolab.com/webapp/wcs/stores/servlet/us/food-safety/prep-n-print/prep-n-print/prep-n-print-purchase-11900-04-00#WC_CachedItemDisplay_div_15”](http://fss.ecolab.com/webapp/wcs/stores/servlet/us/food-safety/prep-n-print/prep-n-print/prep-n-print-purchase-11900-04-00#WC_CachedItemDisplay_div_15); Product information for Prep-n-Print by Ecolab, Oct. 25, 2012.
 Product Bulletin for the FreshMarx Model 9415 by Avery Dennison, Avery Dennison retailers catalog, vol. FM2, 2010, pp. 4-5.
[“http://www.brother-usa.com/labelprinter/modeldetail.aspx?PRODUCTID=QL650TD#.UlqPhGdQS4Q”](http://www.brother-usa.com/labelprinter/modeldetail.aspx?PRODUCTID=QL650TD#.UlqPhGdQS4Q); Product information for QL-650TD by Brother, Oct. 25, 2012.
[“http://www.garveyproducts.com/PublishingImages/File/Garvey%20FRESH%20IS%20BEST_PRINT%20page%201%20and%202.pdf”](http://www.garveyproducts.com/PublishingImages/File/Garvey%20FRESH%20IS%20BEST_PRINT%20page%201%20and%202.pdf); Product information for the date coding Garvey labeler, No Date.

(Continued)

Primary Examiner — Cathy A MacCormac
(74) *Attorney, Agent, or Firm* — Avery Dennison Corporation

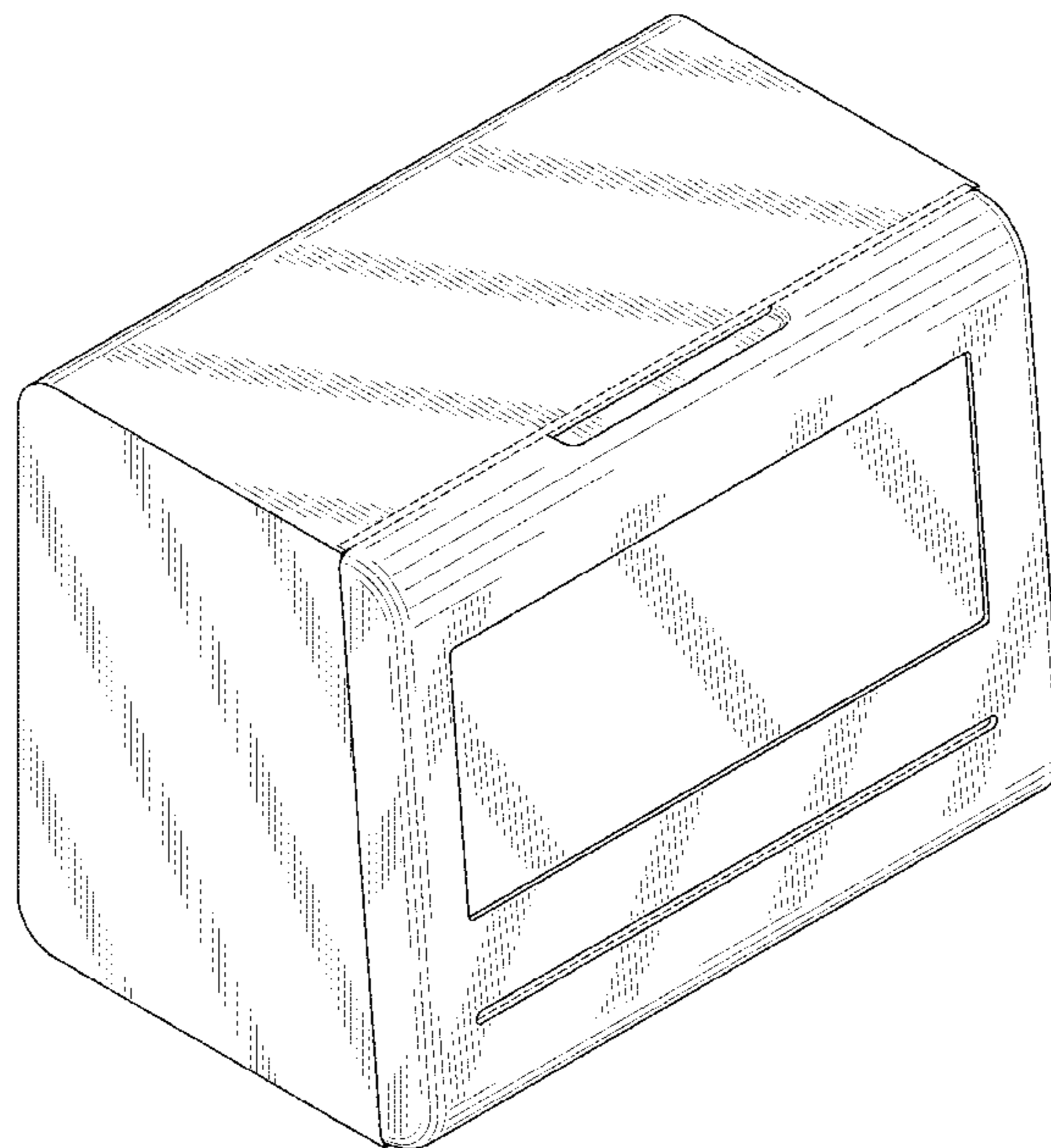
(57) **CLAIM**

The ornamental design for a food safety printer, as shown.

DESCRIPTION

FIG. 1 is an isometric view of a printer showing my new design;
 FIG. 2 is a front view of the printer of FIG. 1;
 FIG. 3 is a rear view of the printer of FIG. 1;
 FIG. 4 is a top view of the printer of FIG. 1;
 FIG. 5 is bottom view of the printer of FIG. 1;
 FIG. 6 is a left side view of the printer of FIG. 1; and,
 FIG. 7 is a right side view of the printer of FIG. 1.
 The broken lines are for illustration only and form no part of the claimed design.

1 Claim, 7 Drawing Sheets



(56)

References Cited

OTHER PUBLICATIONS

“http://www.garveyproducts.com/PublishingImages/File/Garvey%20FRESH%20IS%20BEST_

PRINT%20page%201%20and%202.pdf”; Product information for the Label Minder 2.0 by DayMark, Oct. 25, 2012.

“http://transact-tech.com/products/ithaca_9800.html”; Product information for Ithaca 9800 by Transact Technologies, Oct. 26, 2012.

* cited by examiner

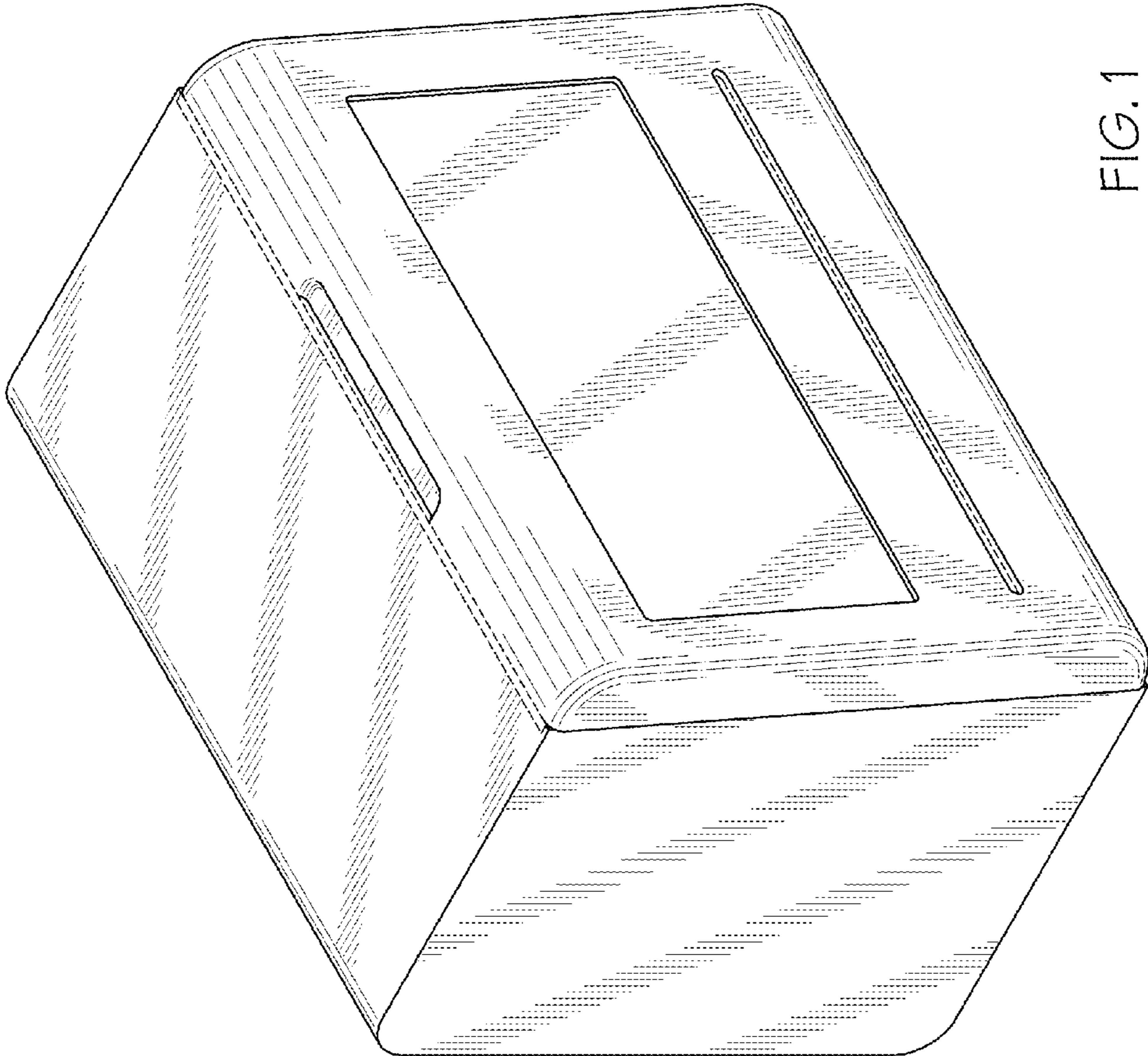


FIG. 1

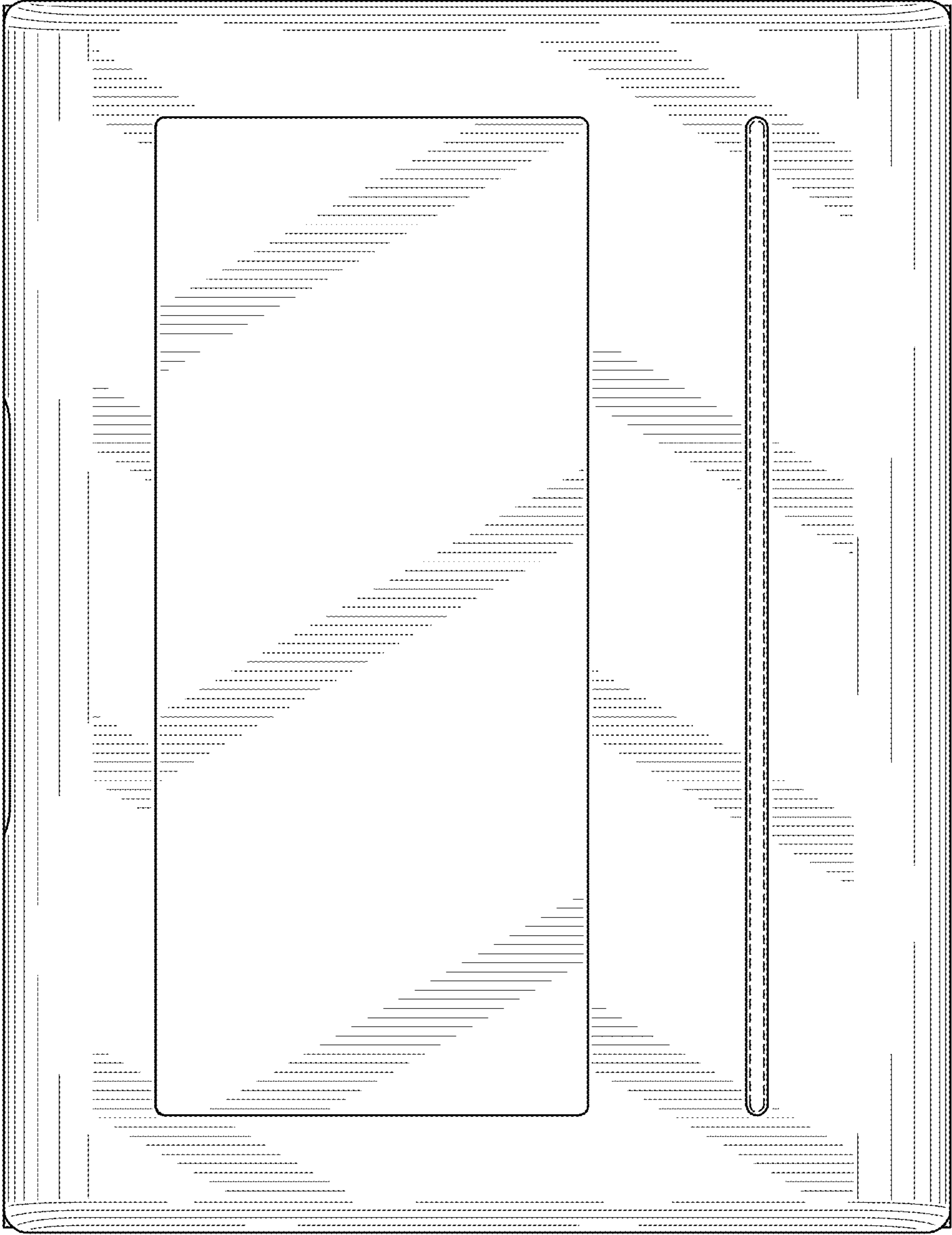


FIG. 2

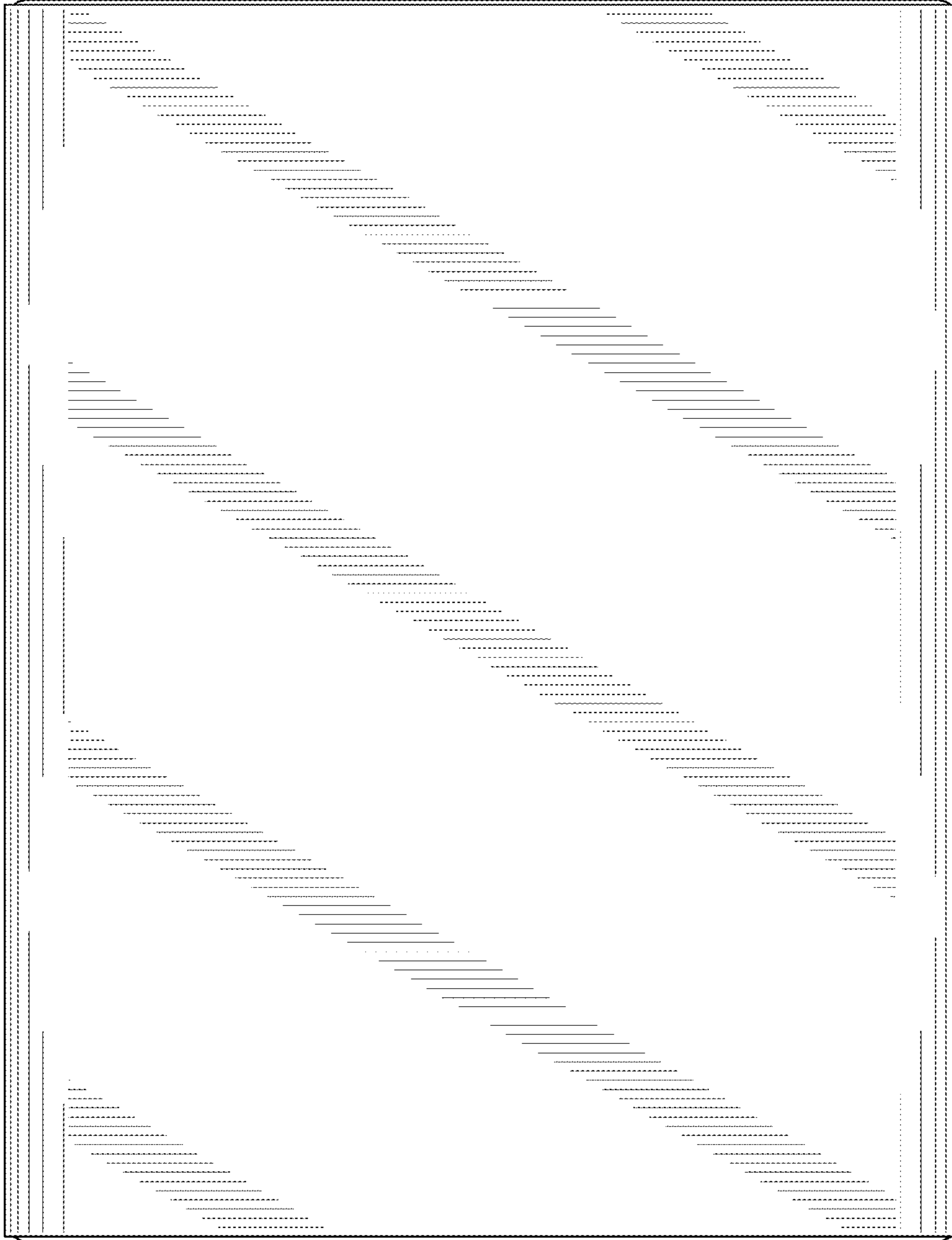


FIG. 3

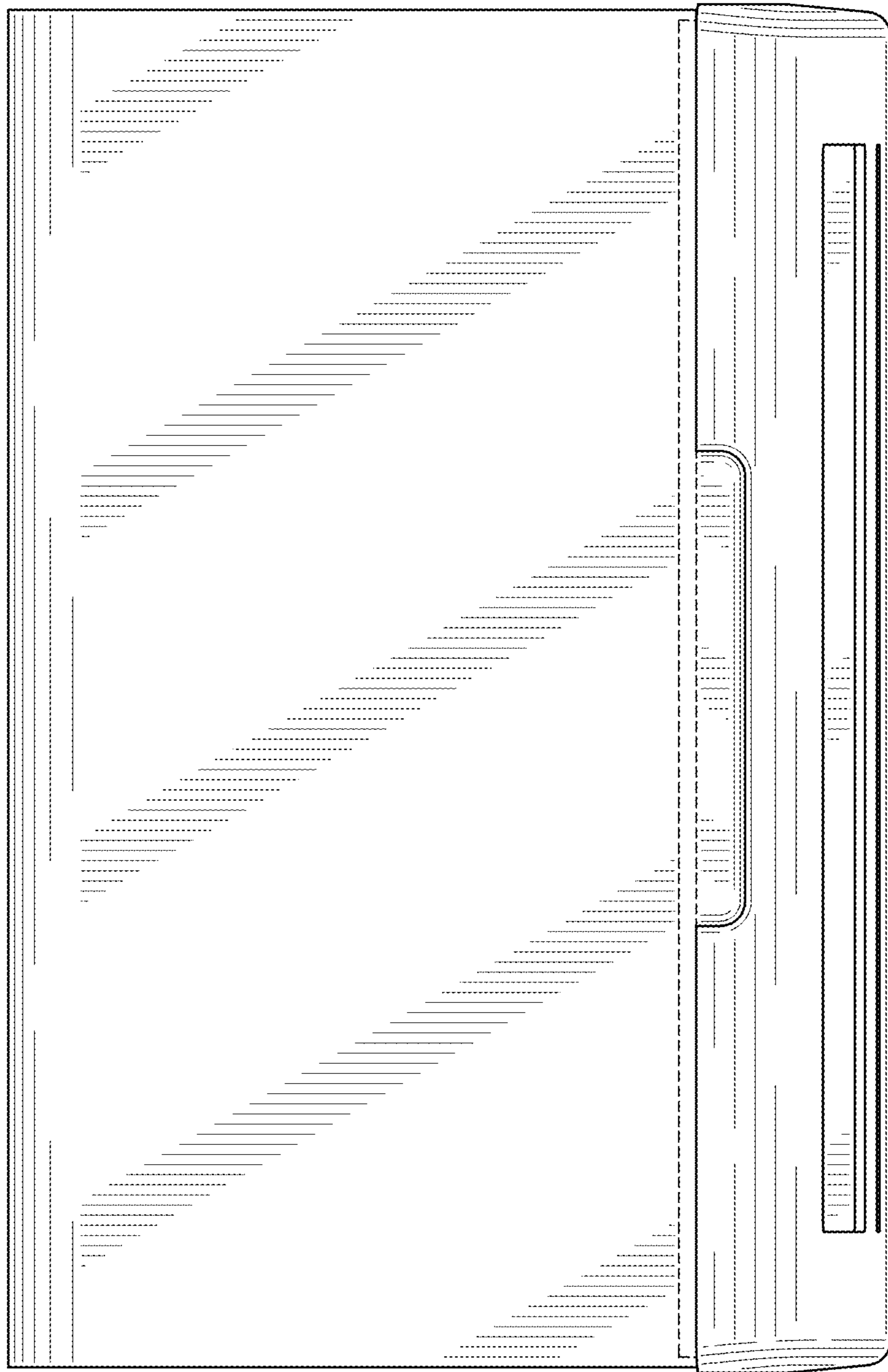


FIG. 4

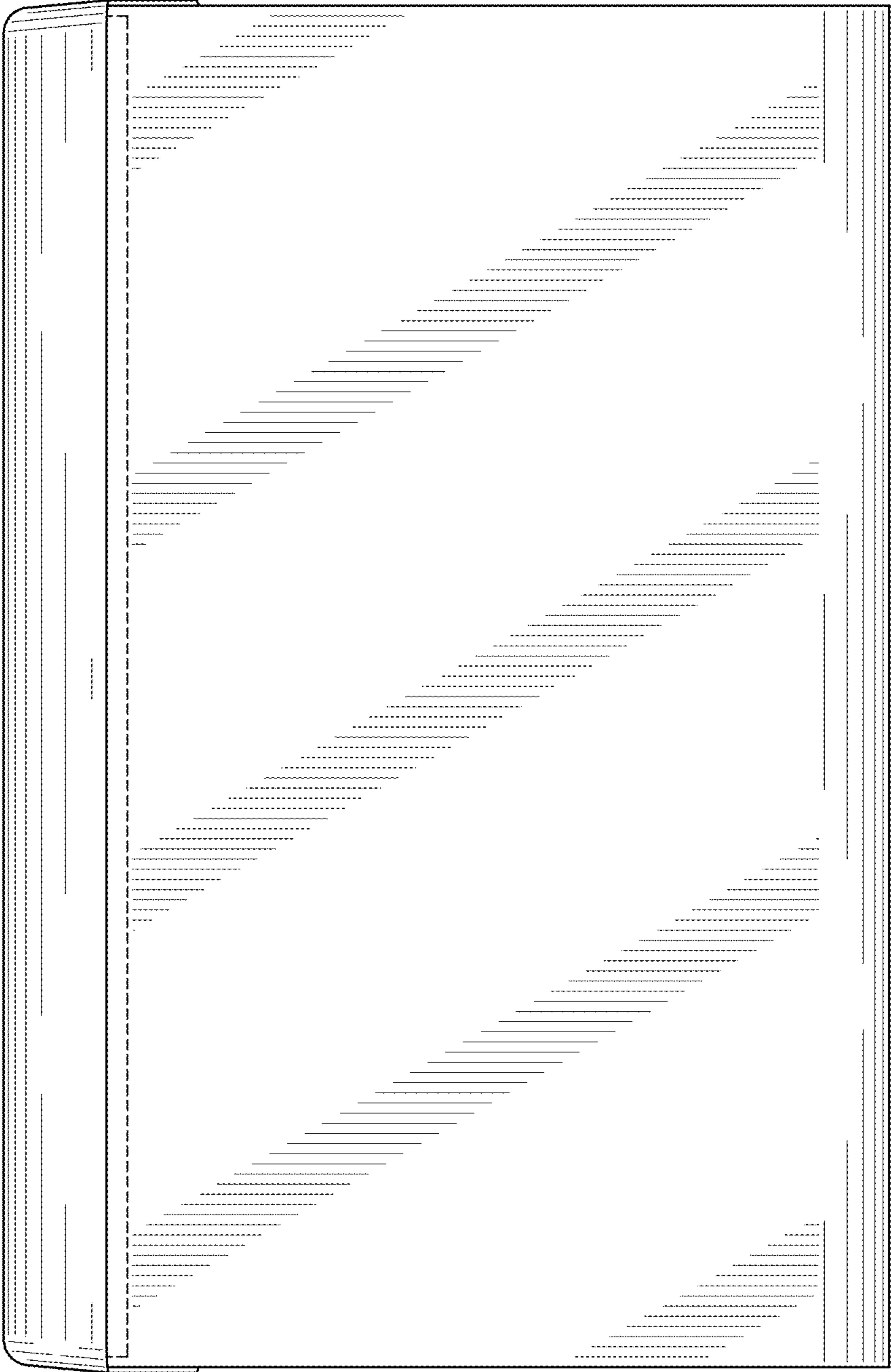


FIG. 5

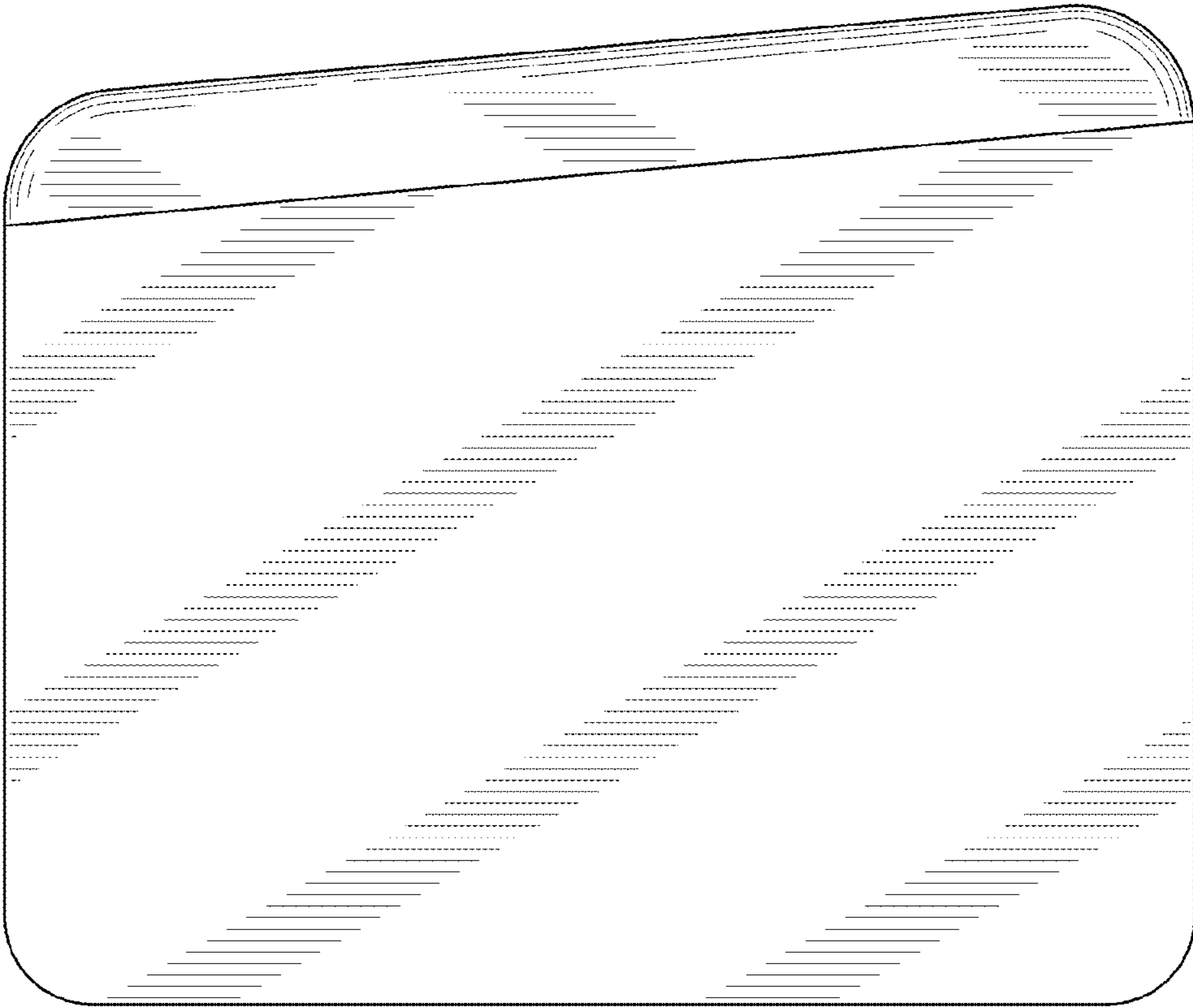


FIG. 6

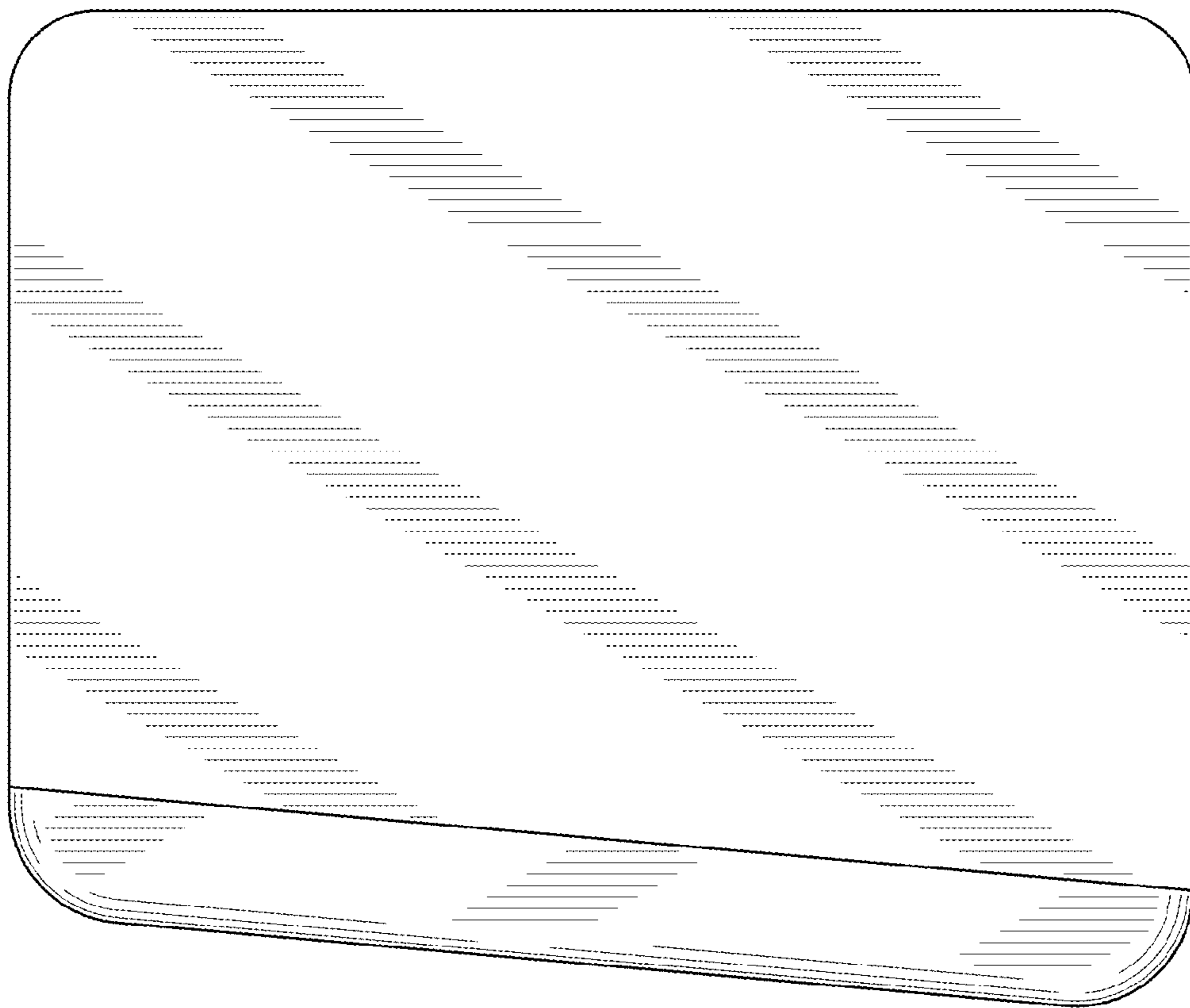


FIG. 7