



US00D703727S

(12) **United States Design Patent**
DiChiara

(10) **Patent No.:** **US D703,727 S**

(45) **Date of Patent:** **** *Apr. 29, 2014**

(54) **SUNGLASSES**

(71) Applicant: **Liberty Sport Inc.**, Fairfield, NJ (US)

(72) Inventor: **Carmine DiChiara**, Fairfield, NJ (US)

(73) Assignee: **Liberty Sport Inc.**, Fairfield, NJ (US)

(*) Notice: This patent is subject to a terminal disclaimer.

(**) Term: **14 Years**

(21) Appl. No.: **29/458,217**

(22) Filed: **Jun. 17, 2013**

(51) **LOC (10) Cl.** **16-06**

(52) **U.S. Cl.**
USPC **D16/311**

(58) **Field of Classification Search**
USPC D16/101, 300-342, 900; D29/109-110;
351/41, 44, 51-52, 62, 158, 92,
351/103-123, 140-153, 45-46; 2/426-432,
2/447-449, 441, 434-437, 13, 15;
D21/483, 659-661; D14/372
See application file for complete search history.

(56) **References Cited**

U.S. PATENT DOCUMENTS

D524,355 S *	7/2006	Chuang	D16/326
D535,681 S *	1/2007	Yang	D16/311
D591,789 S *	5/2009	Li	D16/326
D622,301 S *	8/2010	Fulton	D16/311
D628,616 S *	12/2010	Yuan	D16/306
D689,116 S *	9/2013	Chen	D16/311
2005/0088613 A1 *	4/2005	Jackson et al.	351/154

* cited by examiner

Primary Examiner — Raphael Barkai

(74) *Attorney, Agent, or Firm* — Superior IP, PLLC; Dustin L. Call

(57) **CLAIM**

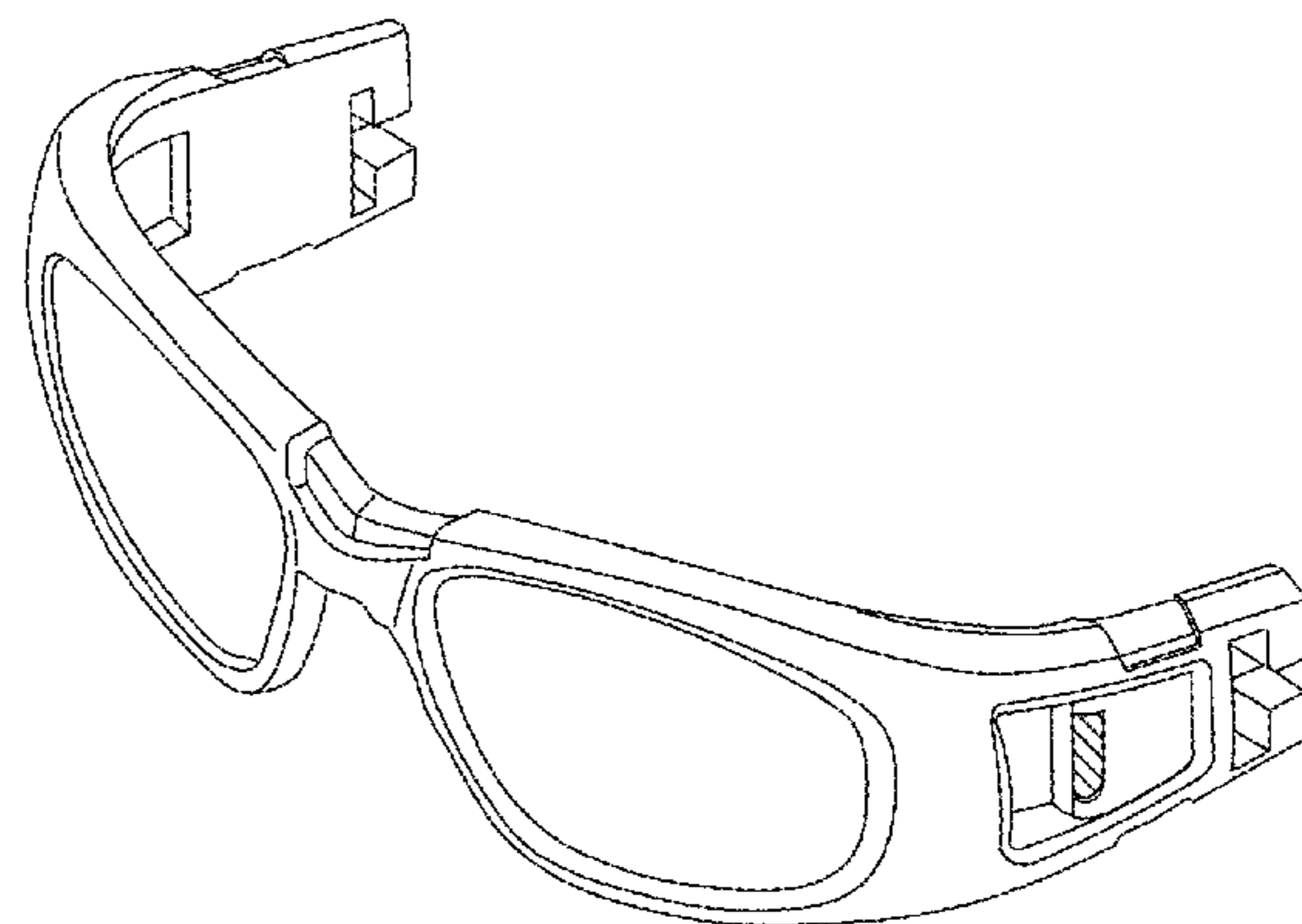
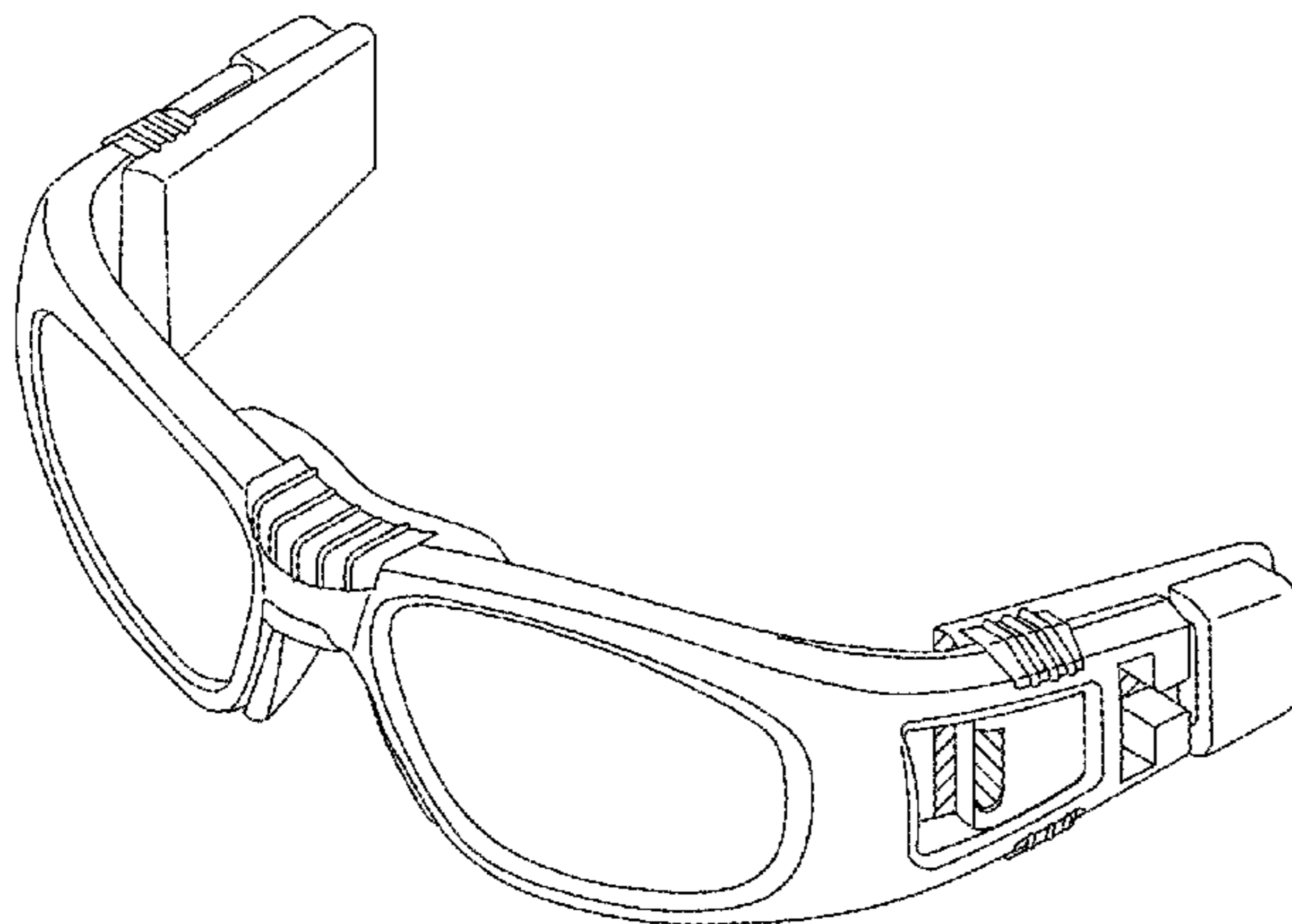
The ornamental design for sunglasses, as shown and described.

DESCRIPTION

FIG. 1 is a front view of the sunglasses;
 FIG. 2 is a front view thereof with the side pad, side clip and bridge clip removed;
 FIG. 3 is a front left perspective view thereof, the front right perspective view being a mirror image thereof;
 FIG. 4 is a front left perspective view thereof with the side pad, side clip and bridge clip removed, the front right perspective view being a mirror image thereof;
 FIG. 5 is a left side view thereof, the right side view being a mirror image thereof;
 FIG. 6 is a left side view thereof with the side pad, side clip and bridge clip removed, the right side view being a mirror image thereof;
 FIG. 7 is a top view thereof;
 FIG. 8 is a top view thereof with the side pad, side clip and bridge clip removed;
 FIG. 9 is a bottom view thereof;
 FIG. 10 is a bottom view thereof with the side pad, side clip and bridge clip removed;
 FIG. 11 is a bottom rear view thereof; and,
 FIG. 12 is a bottom rear view thereof with the side pad, side clip and bridge clip removed.

The hatch lines showing environment in the drawings are included for illustrative purposes only and form no part of the claimed design.

1 Claim, 6 Drawing Sheets



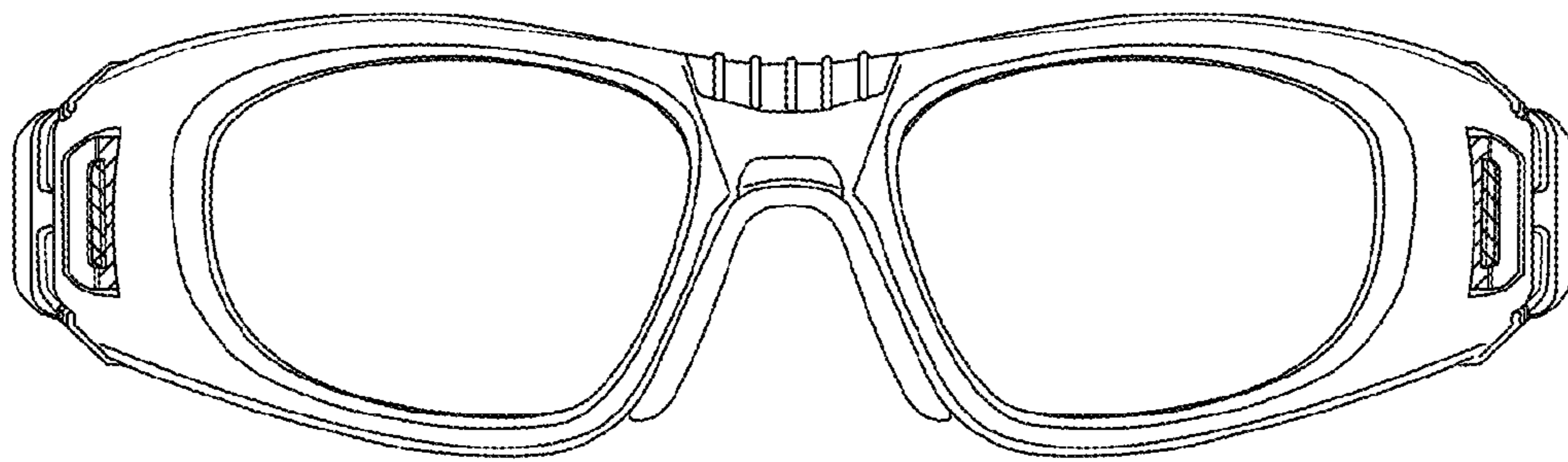


FIG. 1

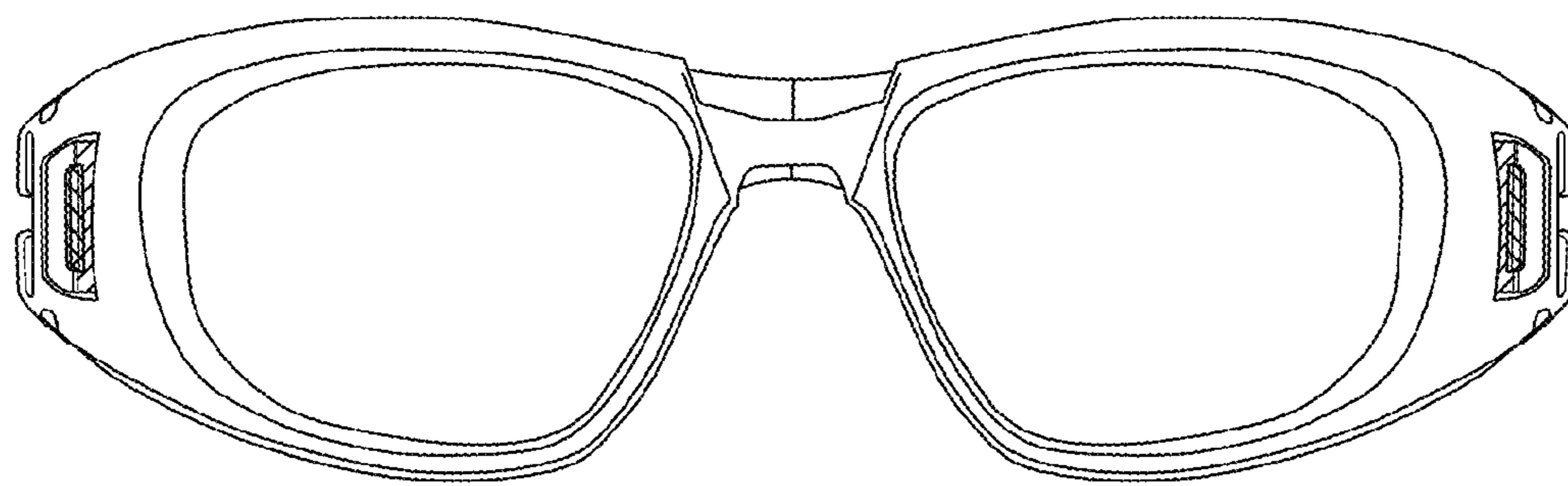


FIG. 2

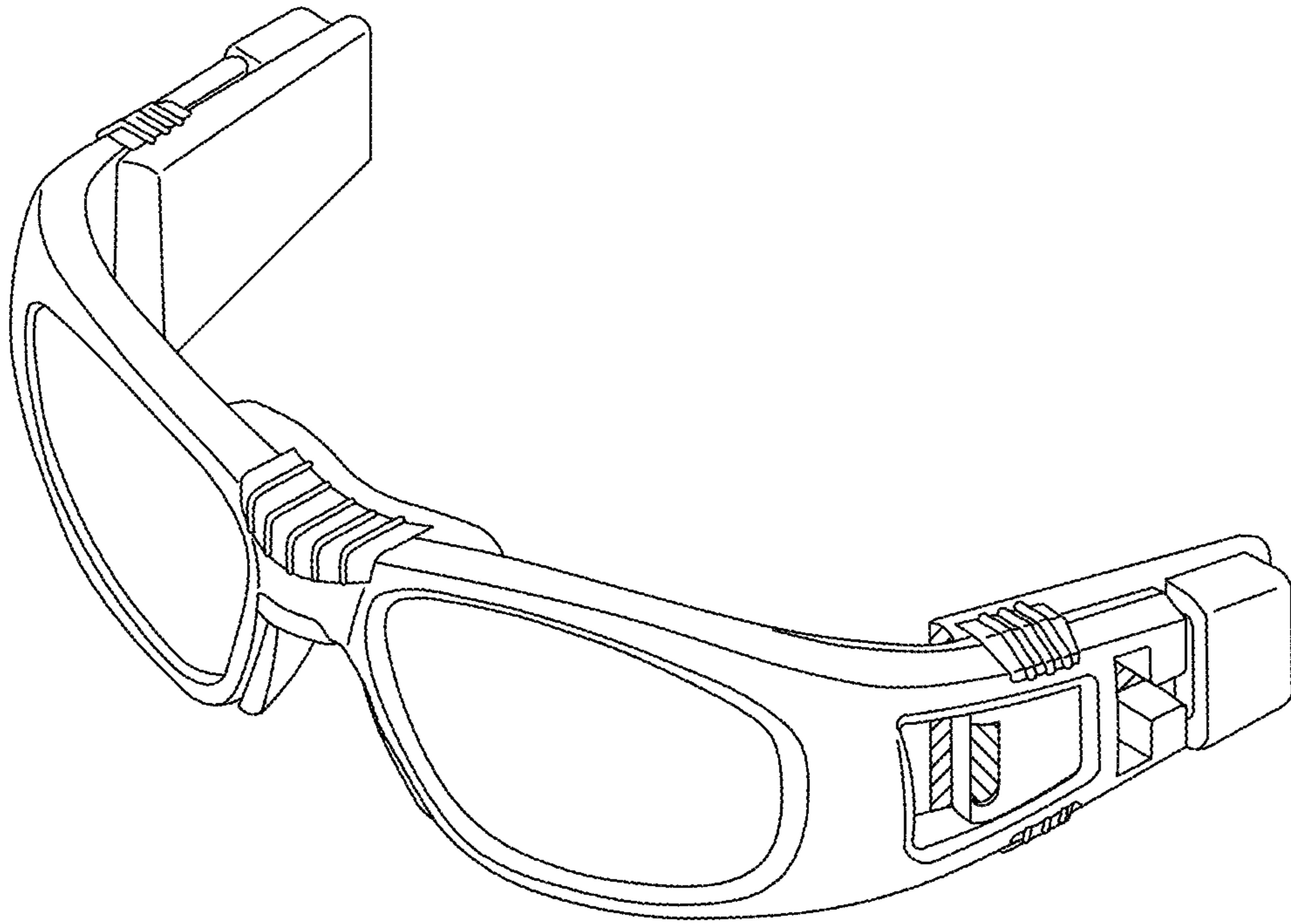


FIG. 3

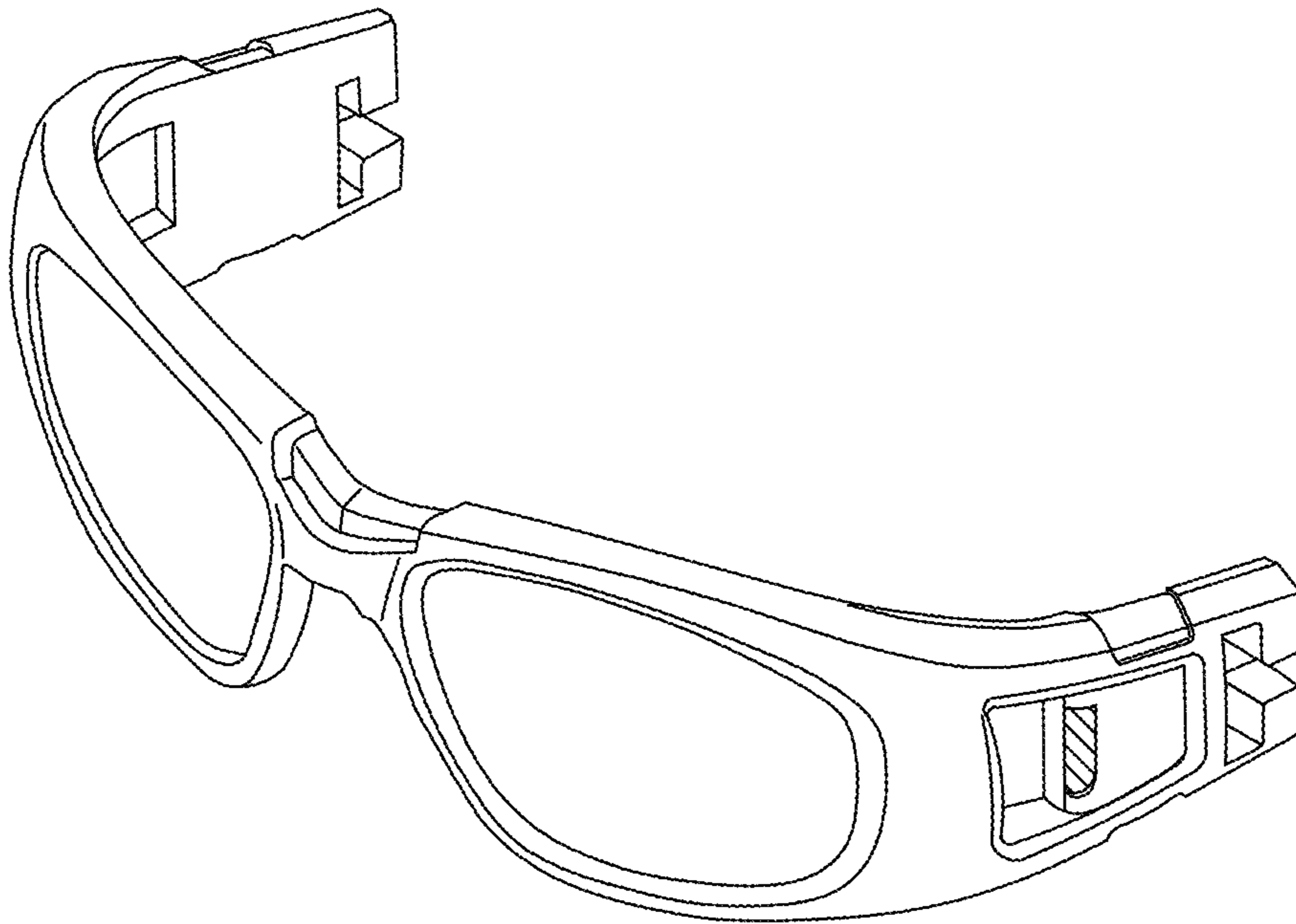


FIG. 4

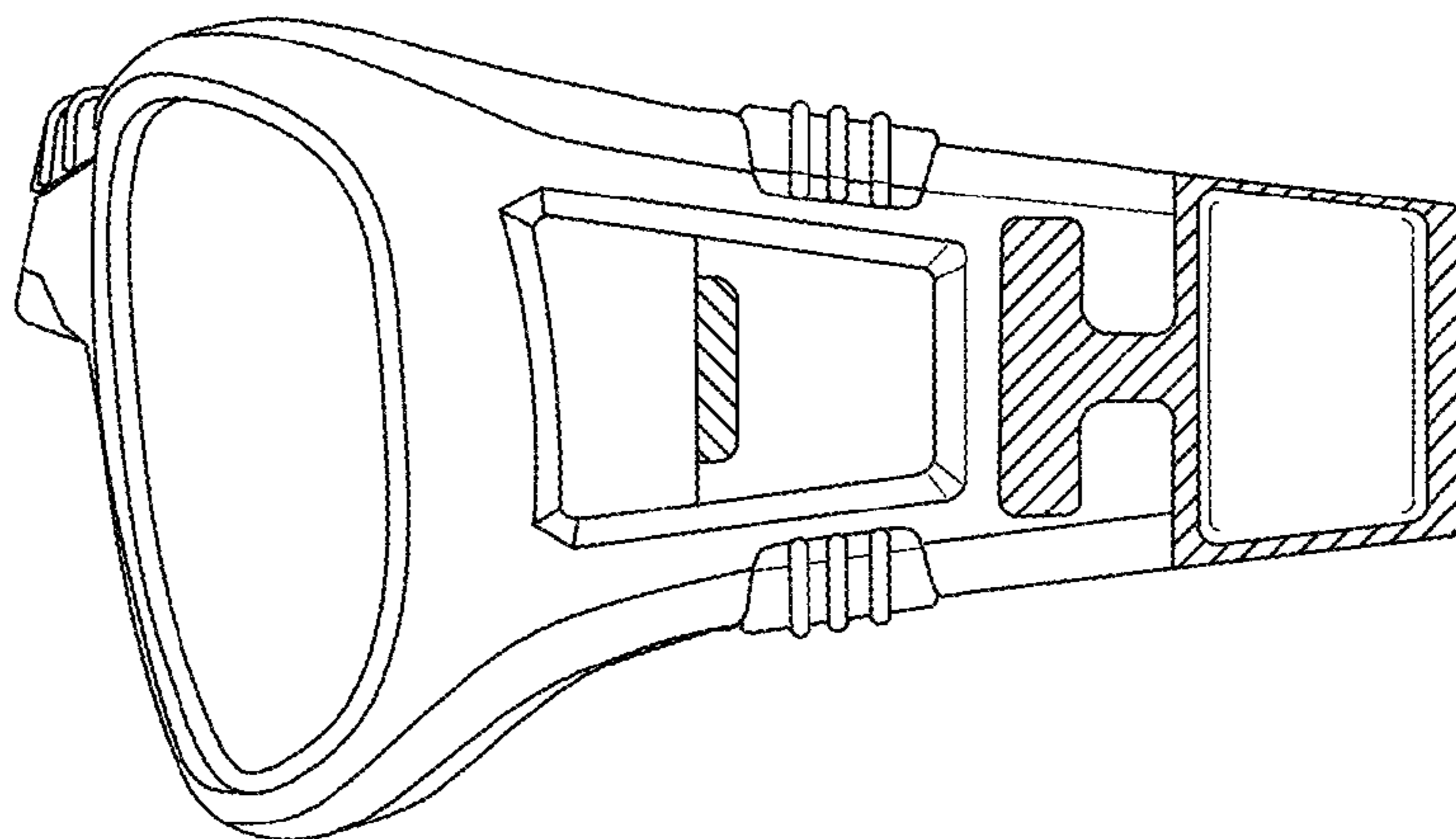


FIG. 5

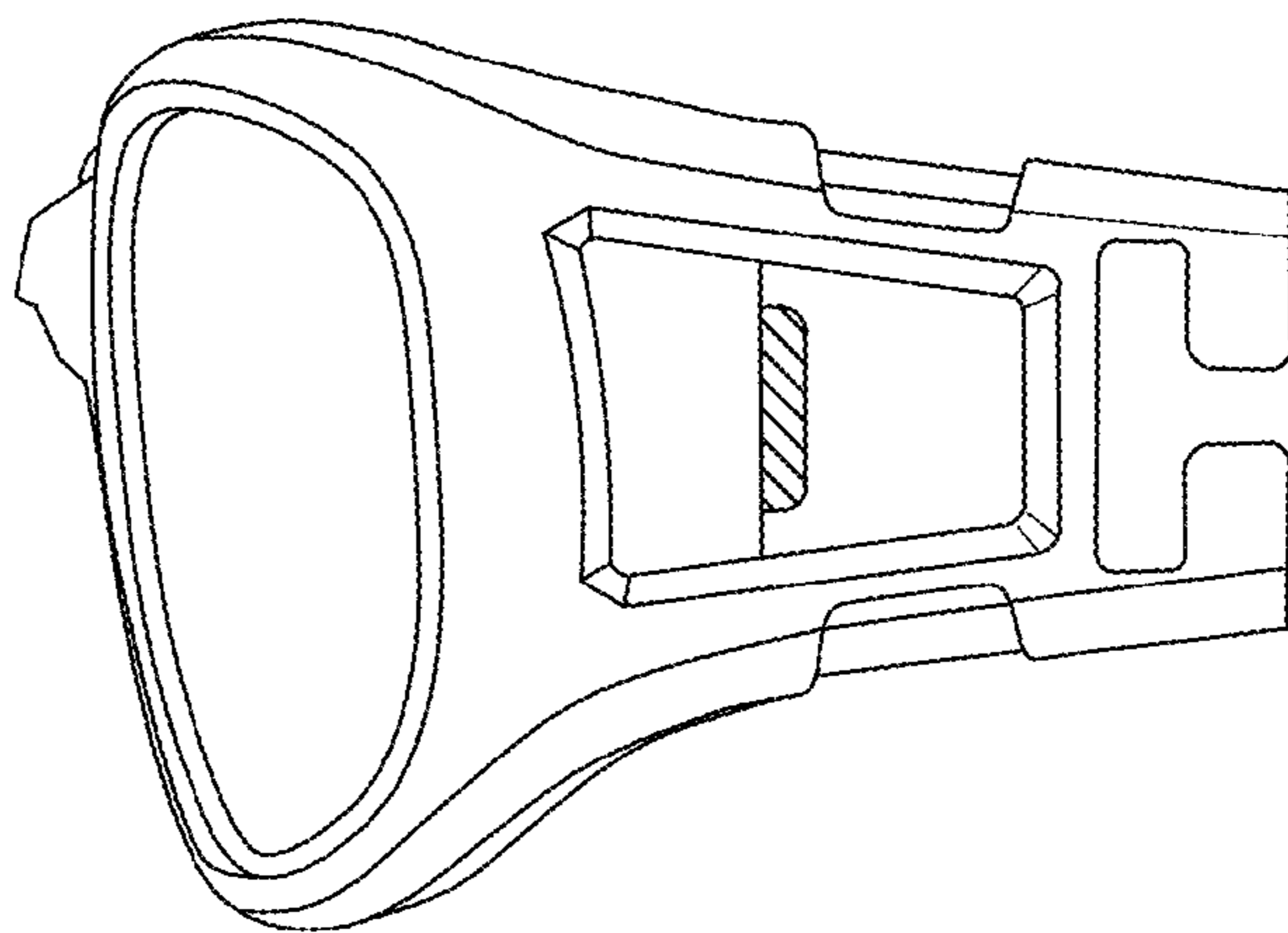


FIG. 6

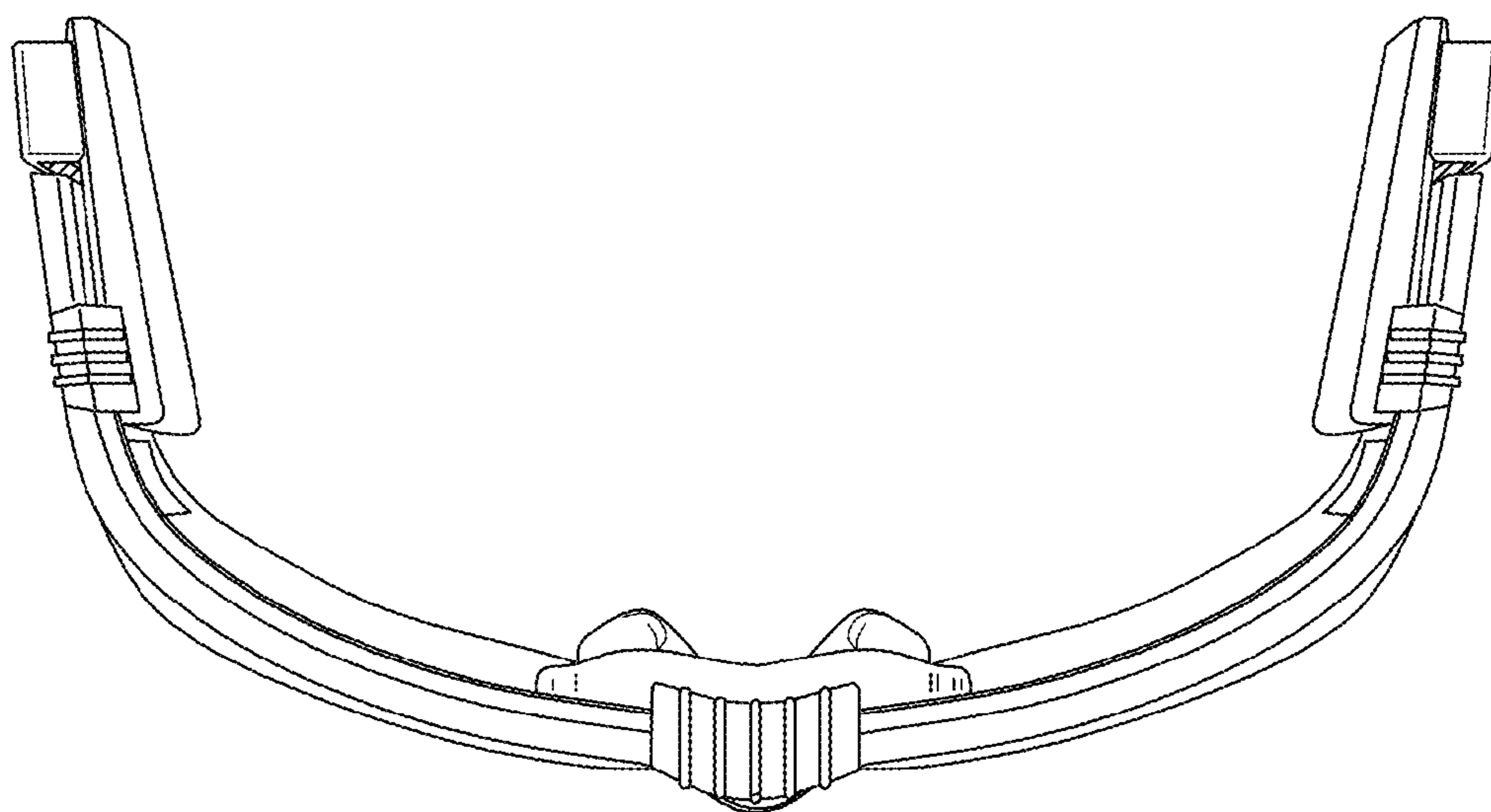


FIG. 7

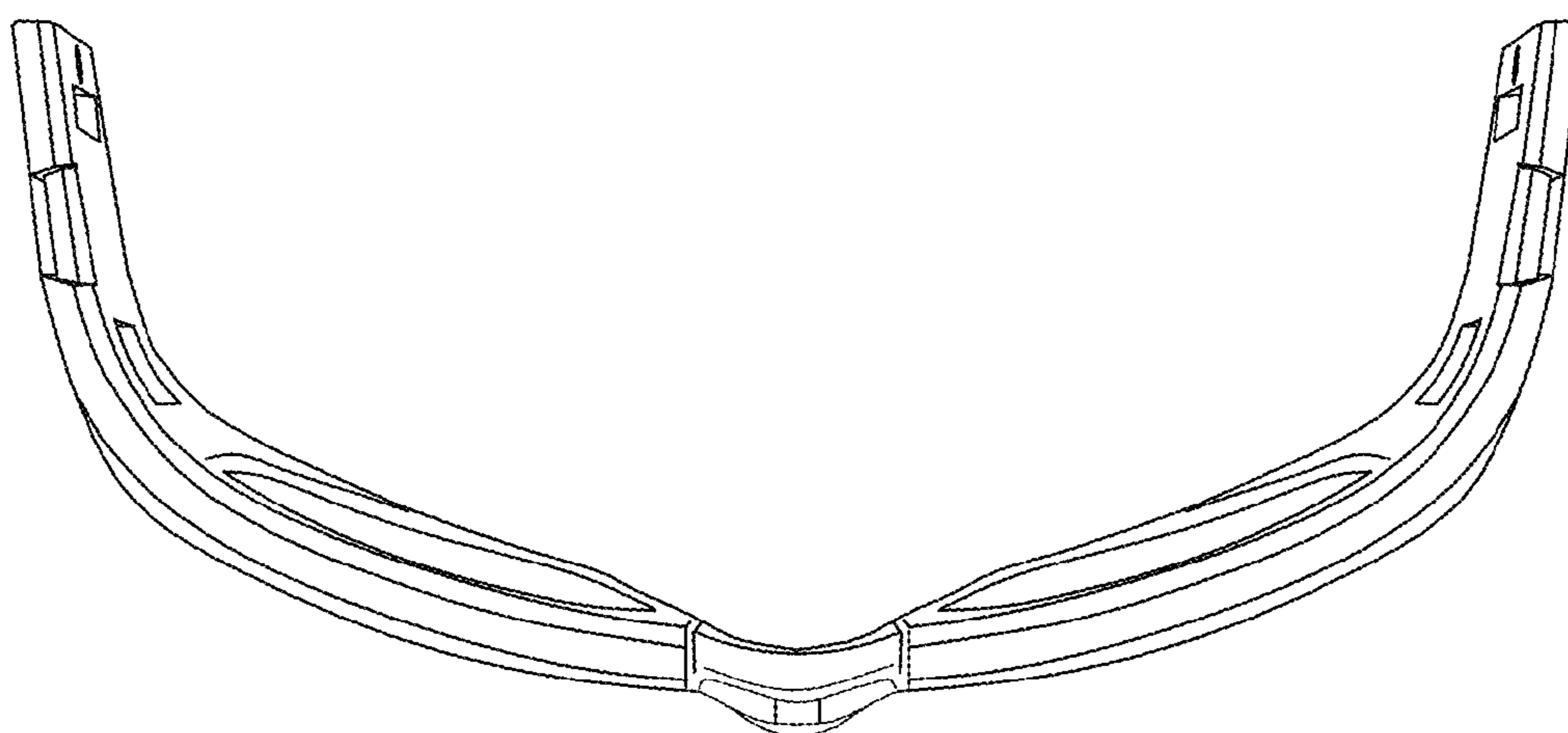


FIG. 8

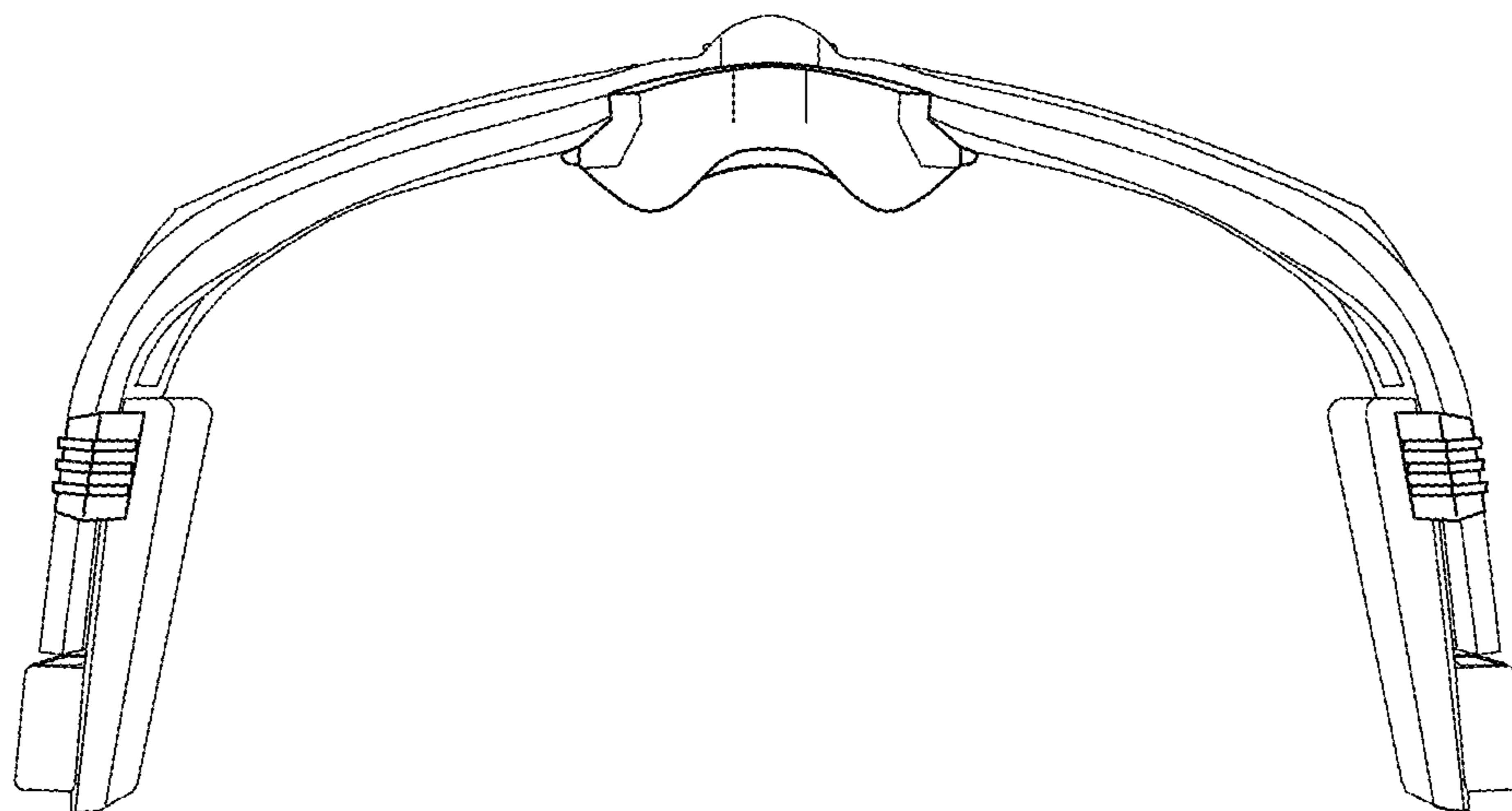


FIG. 9

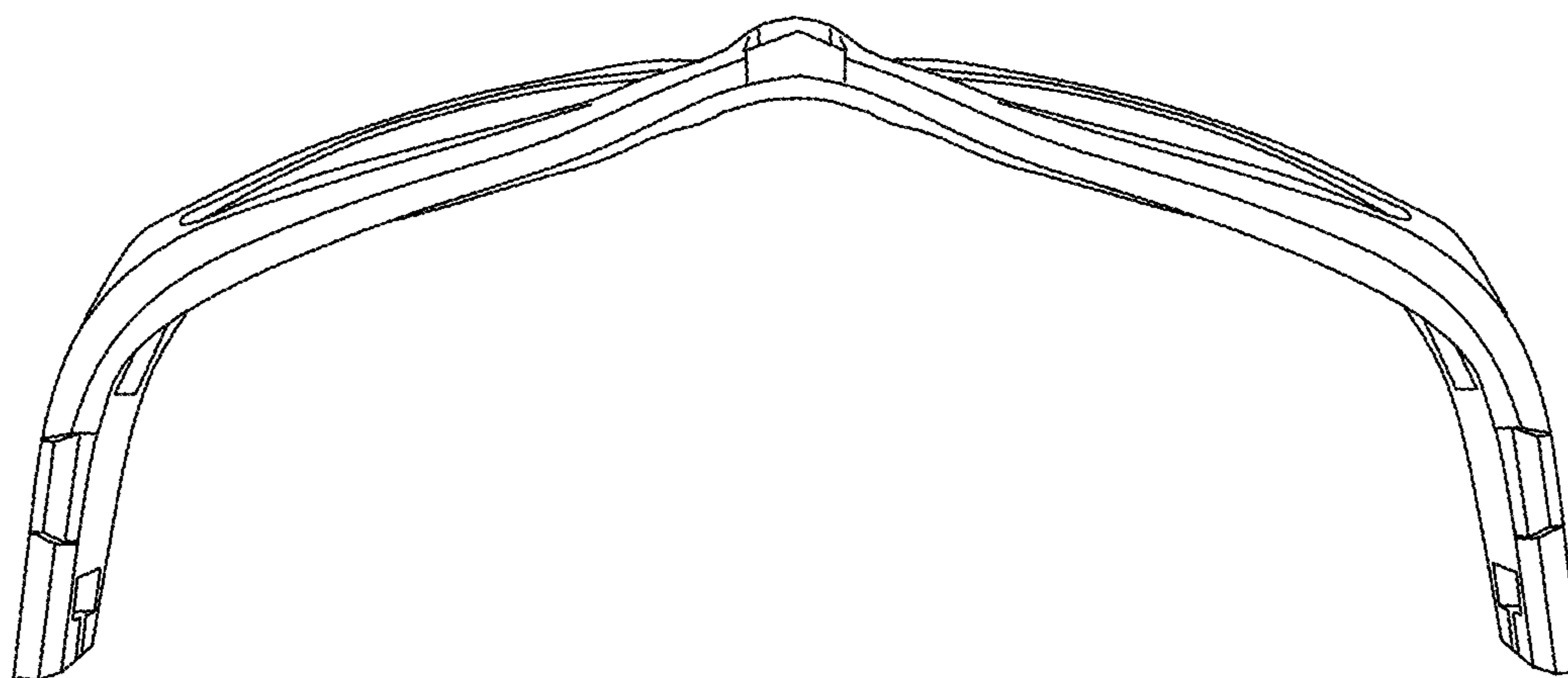


FIG. 10

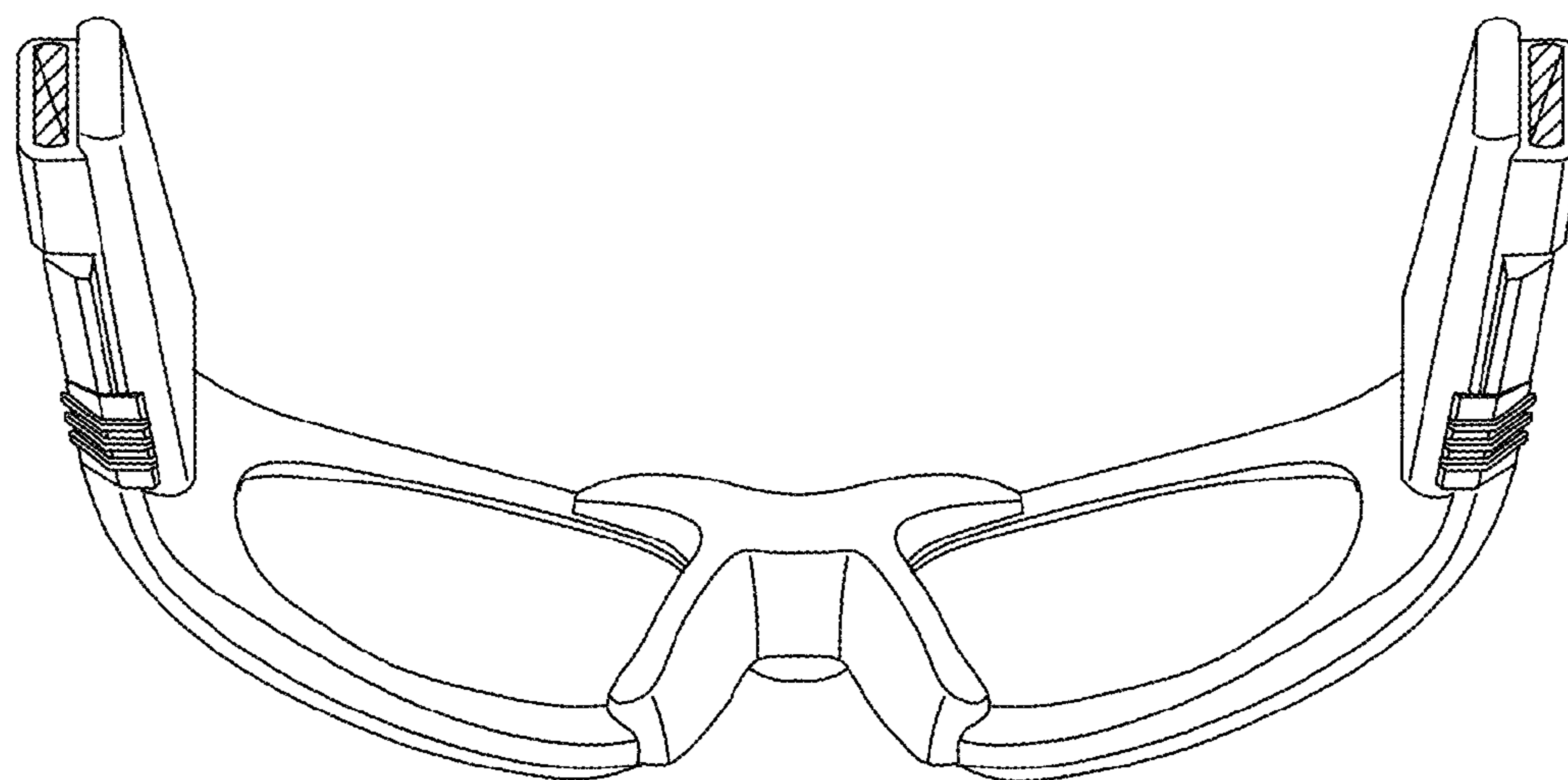


FIG. 11

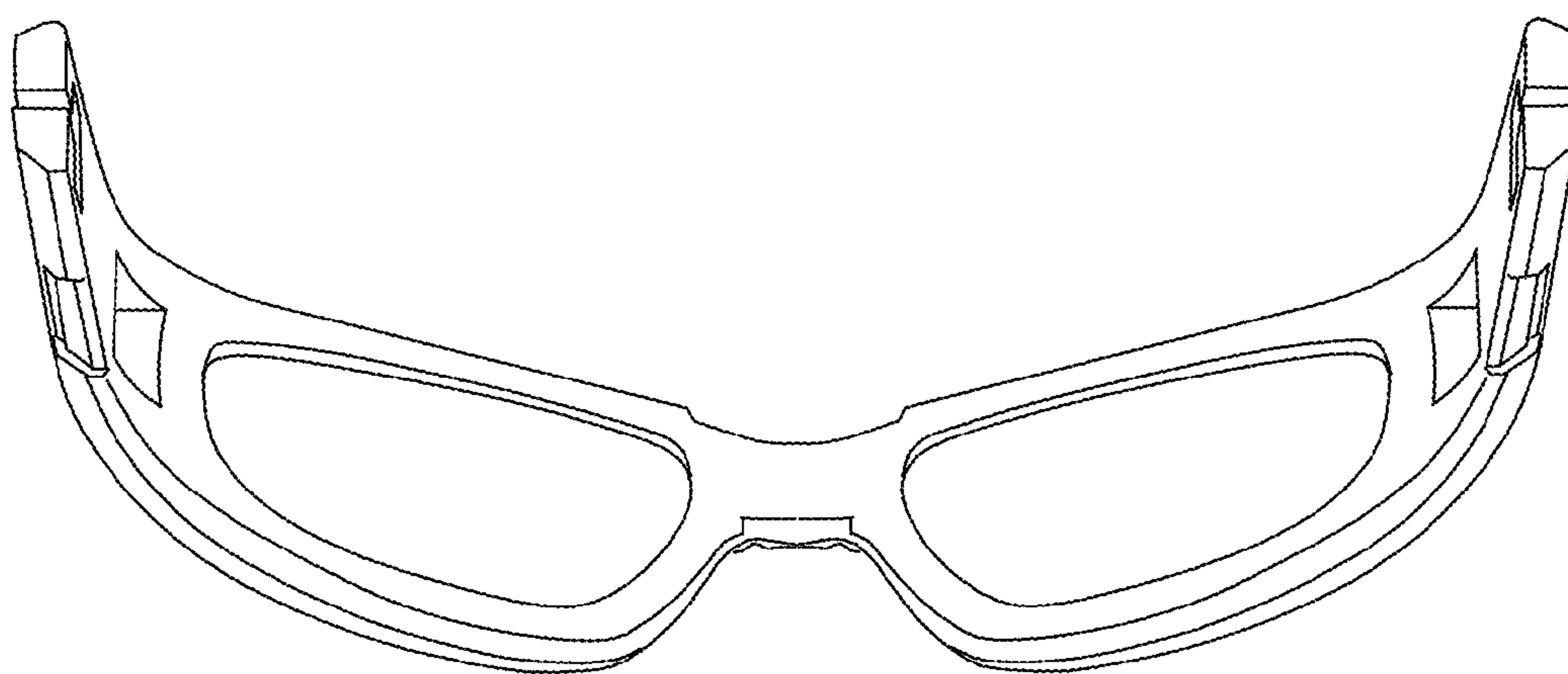


FIG. 12