



US00D703724S

(12) **United States Design Patent**  
**Olsson**

(10) **Patent No.:** **US D703,724 S**  
(45) **Date of Patent:** **\*\* Apr. 29, 2014**

- (54) **WEARABLE DISPLAY DEVICE**
- (75) Inventor: **Maj Isabelle Olsson**, San Francisco, CA (US)
- (73) Assignee: **Google Inc.**, Mountain View, CA (US)
- (\*\*) Term: **14 Years**
- (21) Appl. No.: **29/404,641**
- (22) Filed: **Oct. 24, 2011**
- (51) **LOC (10) Cl.** ..... **16-06**
- (52) **U.S. Cl.**  
USPC ..... **D16/300; D16/325**
- (58) **Field of Classification Search**  
USPC ..... D16/101, 300-342, 900; D29/109-110;  
351/41, 44, 51-52, 62, 158, 92,  
351/103-123, 140-153, 45-46; 2/426-432,  
2/447-449, 441, 434-437, 13, 15;  
D21/483, 659-661; D14/372  
See application file for complete search history.

7,631,968	B1	12/2009	Dobson et al.	
D647,123	S	10/2011	Cho	
8,029,132	B1	10/2011	Park	
D649,177	S	11/2011	Cho et al.	
D659,739	S *	5/2012	Olsson et al.	D16/300
D659,740	S *	5/2012	Olsson et al.	D16/300
D660,341	S *	5/2012	Olsson et al.	D16/300
D662,964	S *	7/2012	Olsson et al.	D16/300
D665,008	S *	8/2012	Olsson et al.	D16/309
D671,589	S *	11/2012	Olsson	D16/300

\* cited by examiner

*Primary Examiner* — Raphael Barkai

(74) *Attorney, Agent, or Firm* — Lerner, David, Littenberg, Krumholz & Mentlik, LLP

(57) **CLAIM**

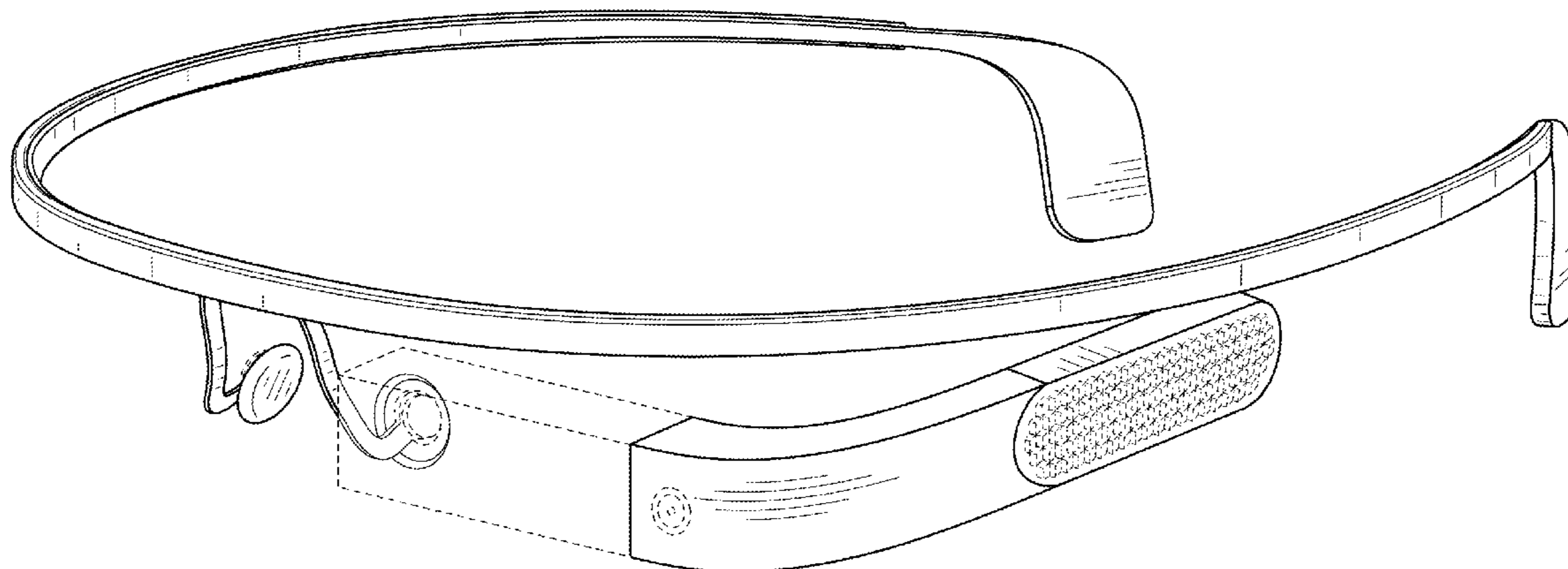
The ornamental design for a wearable display device, as shown and described.

**DESCRIPTION**

FIG. 1 is a front perspective view of a wearable display device according to of our design;  
 FIG. 2 is a front elevation view of the wearable display device of FIG. 1;  
 FIG. 3 is a back elevation view of the wearable display device of FIG. 1;  
 FIG. 4 is a right elevation view of the wearable display device of FIG. 1;  
 FIG. 5 is a left elevation view of the wearable display device of FIG. 1;  
 FIG. 6 is a top elevation view of the wearable display device of FIG. 1; and,  
 FIG. 7 is a bottom elevation view of the wearable display device of FIG. 1.  
 Broken lines are environmental only and form no part of the claimed design.

**1 Claim, 5 Drawing Sheets**

- (56) **References Cited**  
U.S. PATENT DOCUMENTS
- |           |   |         |                |
|-----------|---|---------|----------------|
| 3,944,344 | A | 3/1976  | Wichers        |
| D327,079  | S | 6/1992  | Allen          |
| D334,557  | S | 4/1993  | Hunter et al.  |
| D337,320  | S | 7/1993  | Hunter et al.  |
| D354,974  | S | 1/1995  | Wielhouwer     |
| D402,651  | S | 12/1998 | Depay et al.   |
| D428,620  | S | 7/2000  | Maturaporn     |
| D436,960  | S | 1/2001  | Budd et al.    |
| D512,985  | S | 12/2005 | Travers et al. |
| D533,893  | S | 12/2006 | Canavan et al. |
| D559,250  | S | 1/2008  | Pombo          |
| D565,082  | S | 3/2008  | McClure et al. |
| D578,120  | S | 10/2008 | Lowe et al.    |
| D602,064  | S | 10/2009 | Mitsui et al.  |



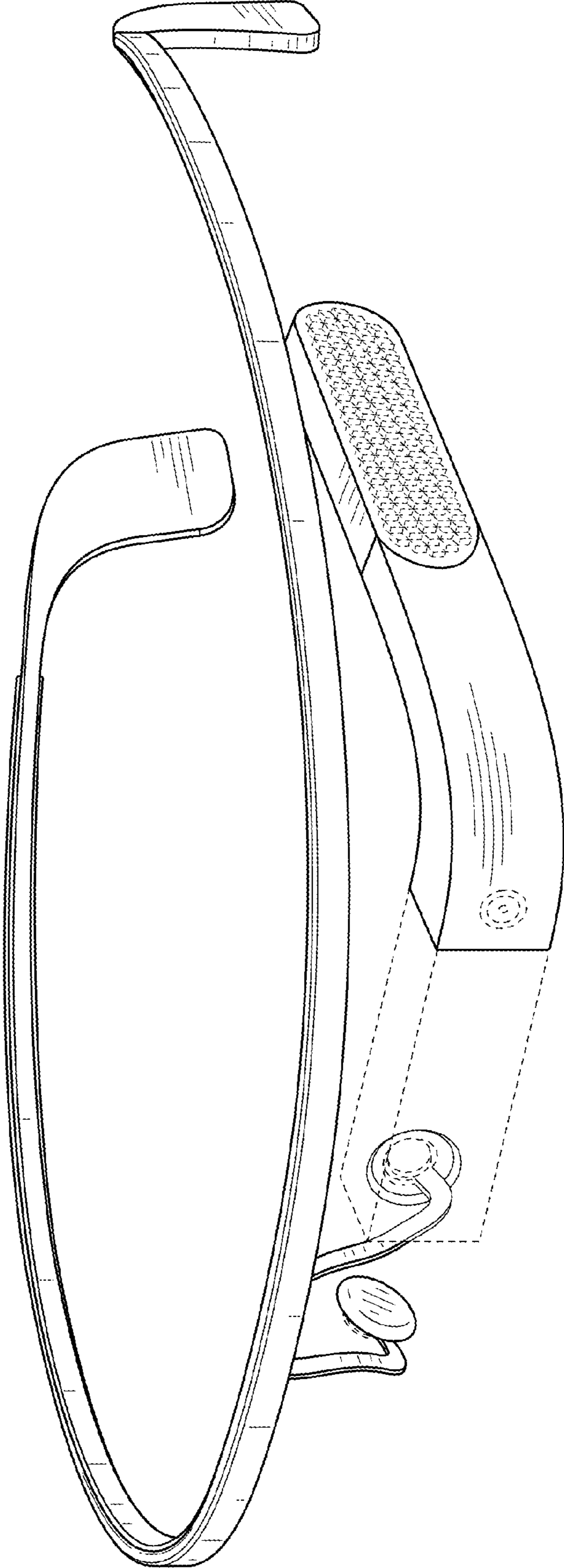


FIG. 1

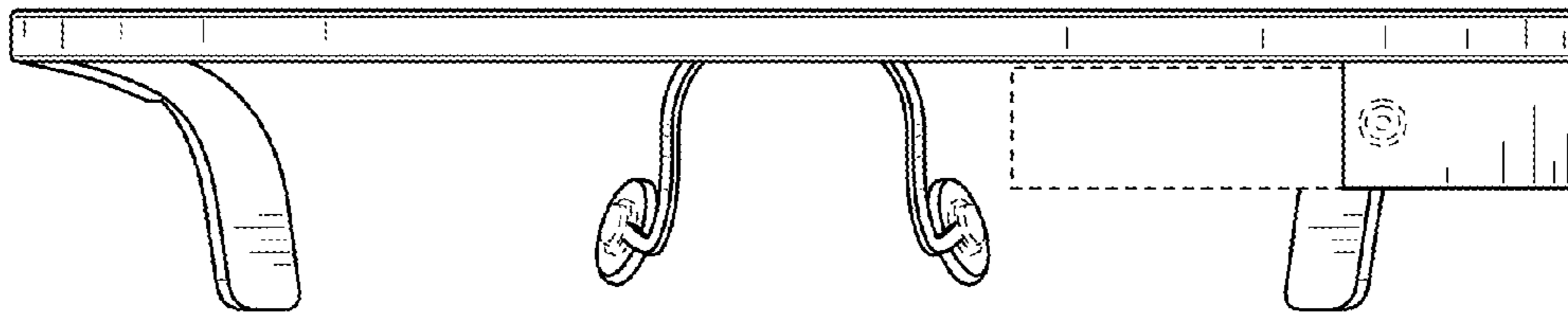


FIG. 2

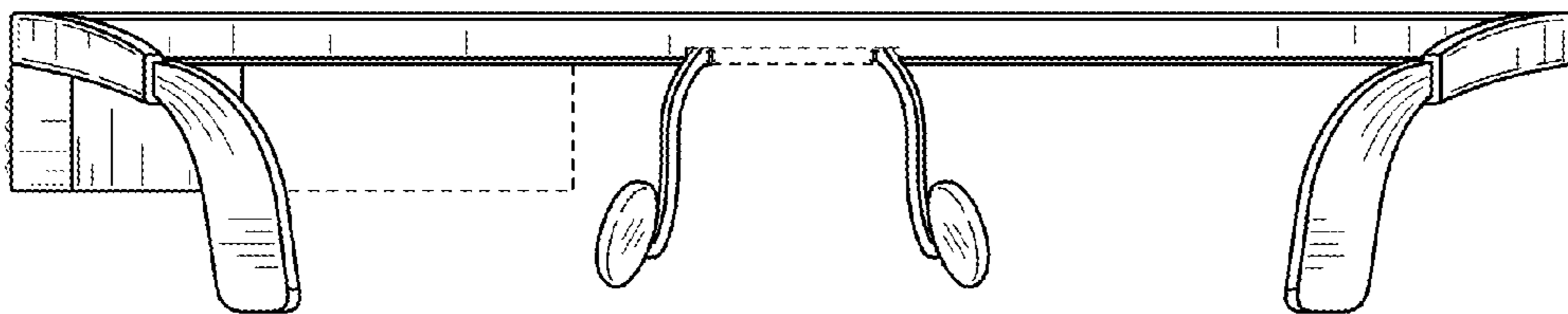


FIG. 3

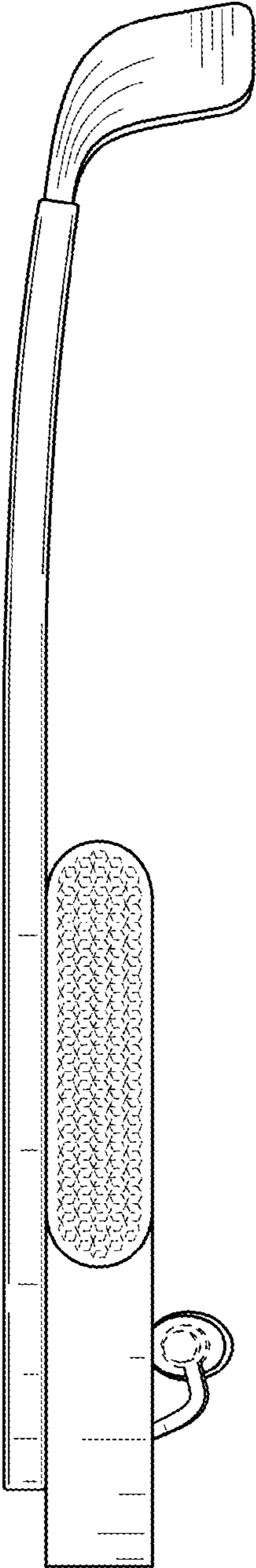


FIG. 4

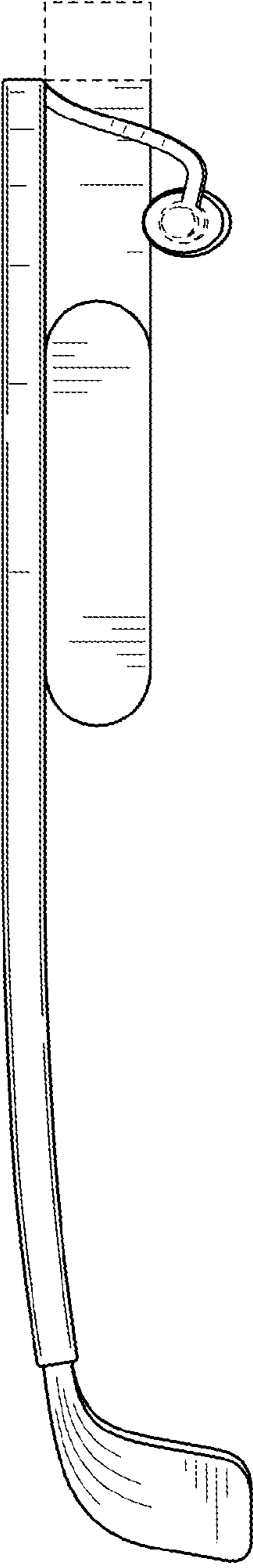


FIG. 5

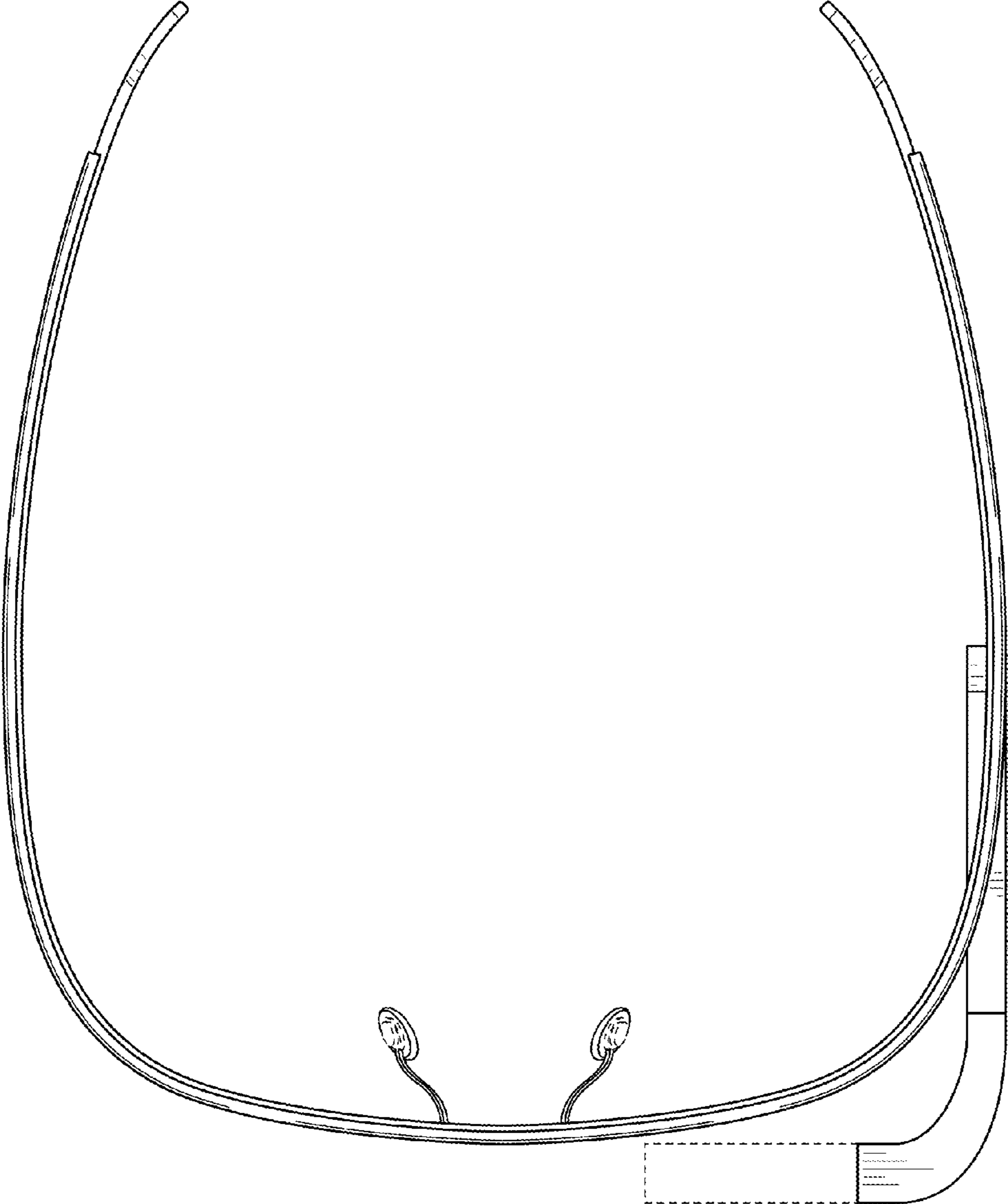


FIG. 6

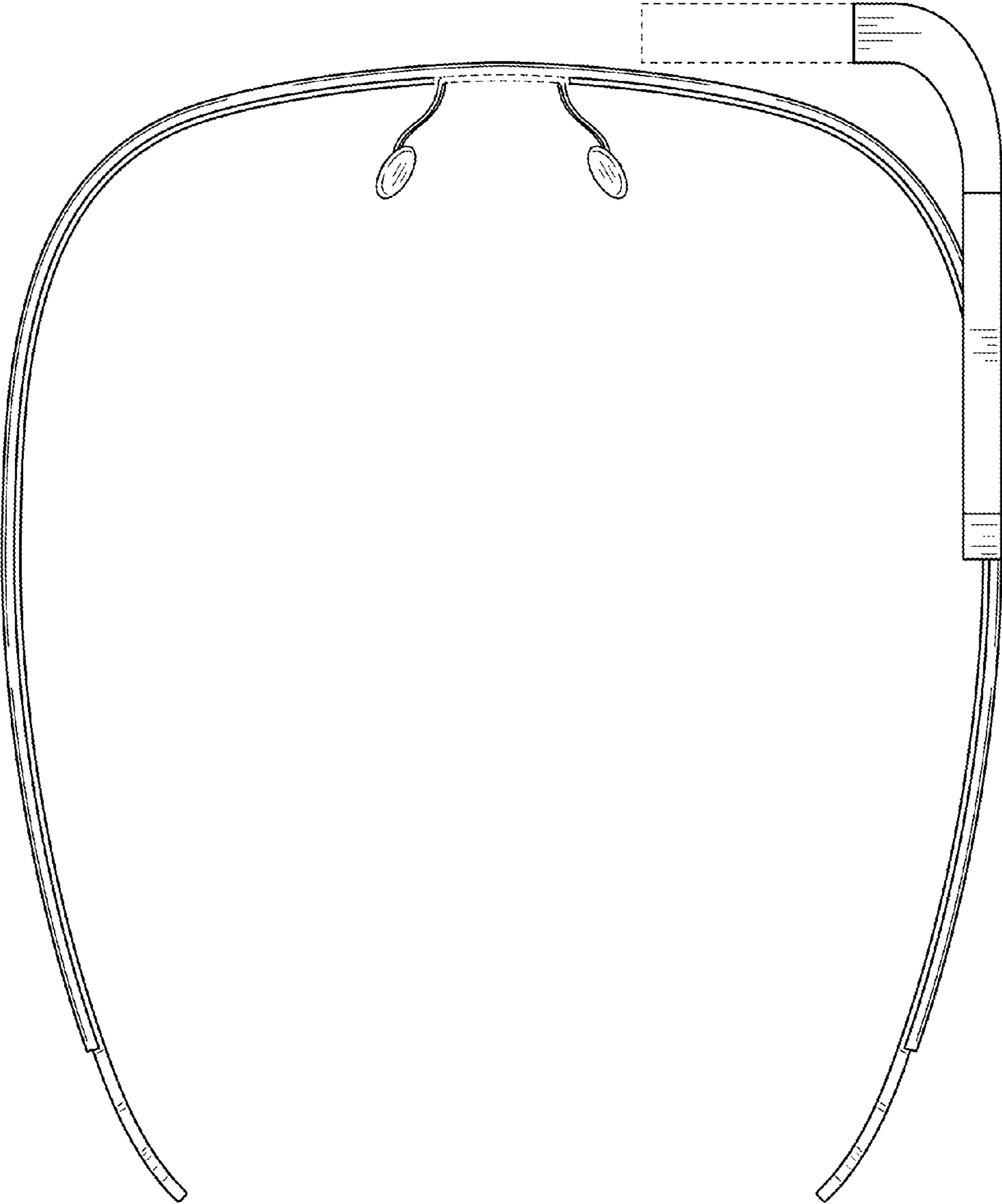


FIG. 7