



US00D703723S

(12) **United States Design Patent**
Soejima

(10) **Patent No.:** **US D703,723 S**
(45) **Date of Patent:** **** Apr. 29, 2014**

(54) **ELECTRONIC FLASH DEVICE**
(75) Inventor: **Kenichi Soejima**, Kanagawa (JP)
(73) Assignee: **Nikon Corporation**, Tokyo (JP)
(**) Term: **14 Years**
(21) Appl. No.: **29/415,427**
(22) Filed: **Mar. 9, 2012**

D422,293 S * 4/2000 Harata D16/239
D453,351 S * 2/2002 Kitera D16/240
D502,488 S * 3/2005 Miyashita D16/240
D525,276 S * 7/2006 de Leon D16/239
D562,875 S * 2/2008 Kitera D16/240
D629,032 S * 12/2010 Miyashita D16/219

OTHER PUBLICATIONS

Nikon 1 SB-N5 Speedlight. [online] Retrieved on Aug. 20, 2013 from URL: <<http://www.nikonusa.com/en/Nikon-Products/Product/Nikon1-Flashes/3617/Nikon-1-SB-N5-Speedlight.html>>.*

* cited by examiner

(30) **Foreign Application Priority Data**
Sep. 16, 2011 (JP) 2011-021230
(51) **LOC (10) Cl.** **16-05**
(52) **U.S. Cl.**
USPC **D16/239**
(58) **Field of Classification Search**
USPC D16/237, 239, 240; D26/24, 37-38, 63,
D26/110, 113, 129; 362/3, 16-18, 182, 552,
362/612; D13/180, 182; 313/313-316;
348/370; 396/200
See application file for complete search history.

Primary Examiner — Susan Bennett Hattan
Assistant Examiner — Vy Koenig
(74) *Attorney, Agent, or Firm* — Wolf, Greenfield & Sacks, P.C.; Randy J. Pritzker

(57) **CLAIM**
The ornamental design for an electronic flash device, as shown and described.

DESCRIPTION

FIG. 1 is a front perspective view of an electronic flash device showing my new design;
FIG. 2 is a front view thereof;
FIG. 3 is a rear view thereof;
FIG. 4 is a top plan view thereof;
FIG. 5 is a bottom plan view thereof;
FIG. 6 is a right side view thereof; and,
FIG. 7 is a left side view thereof.
The broken lines in the drawings depict environmental subject matter and form no part of the claimed design.

(56) **References Cited**
U.S. PATENT DOCUMENTS
D262,634 S * 1/1982 Schlagheck et al. D16/240
D262,715 S * 1/1982 Schlagheck et al. D16/240
D262,716 S * 1/1982 Schlagheck et al. D16/240
D264,221 S * 5/1982 Schlagheck et al. D16/240
D342,753 S * 12/1993 Haga D16/239
5,794,082 A * 8/1998 Matsui et al. 396/56

1 Claim, 7 Drawing Sheets

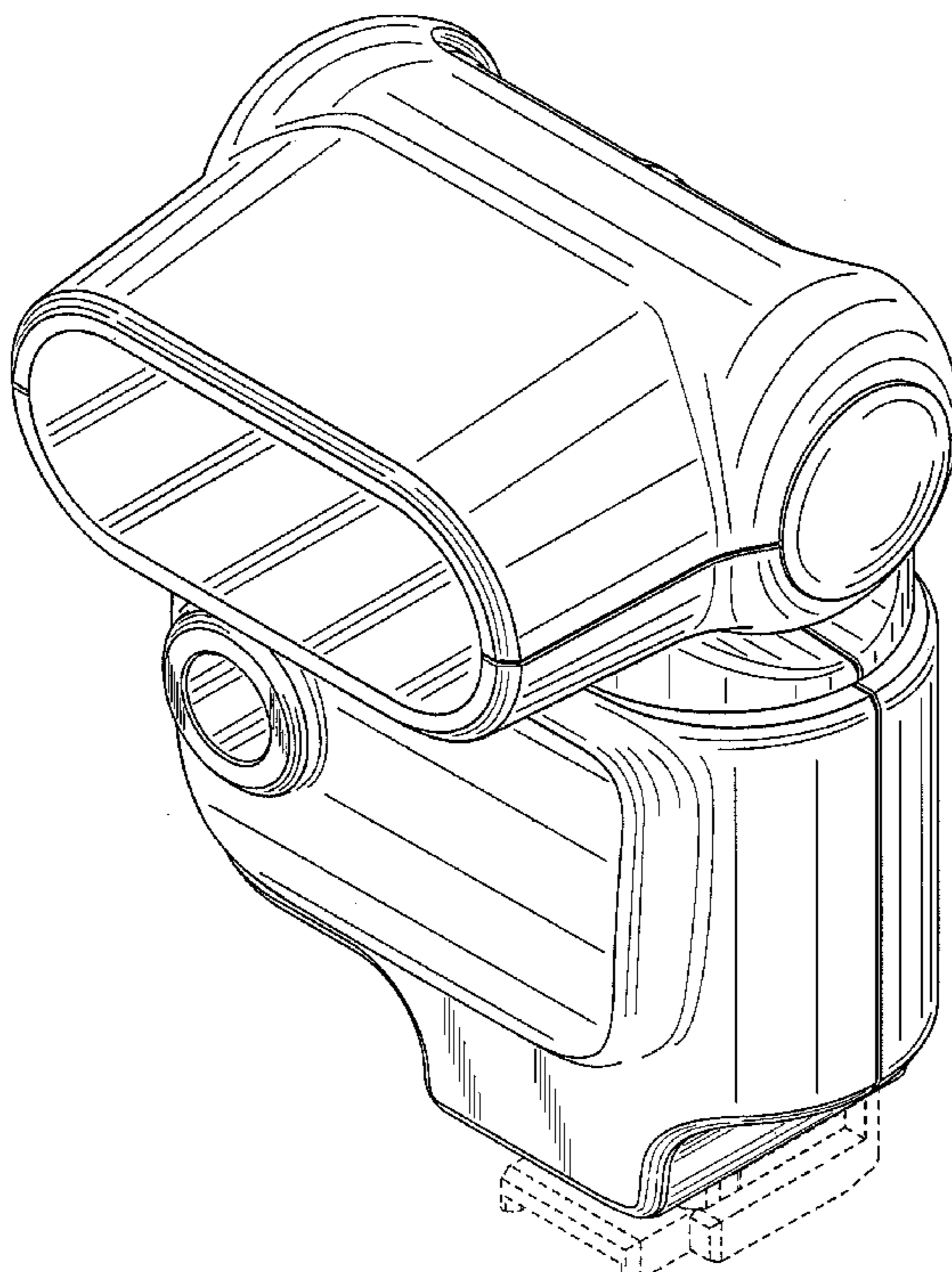


FIG. 1

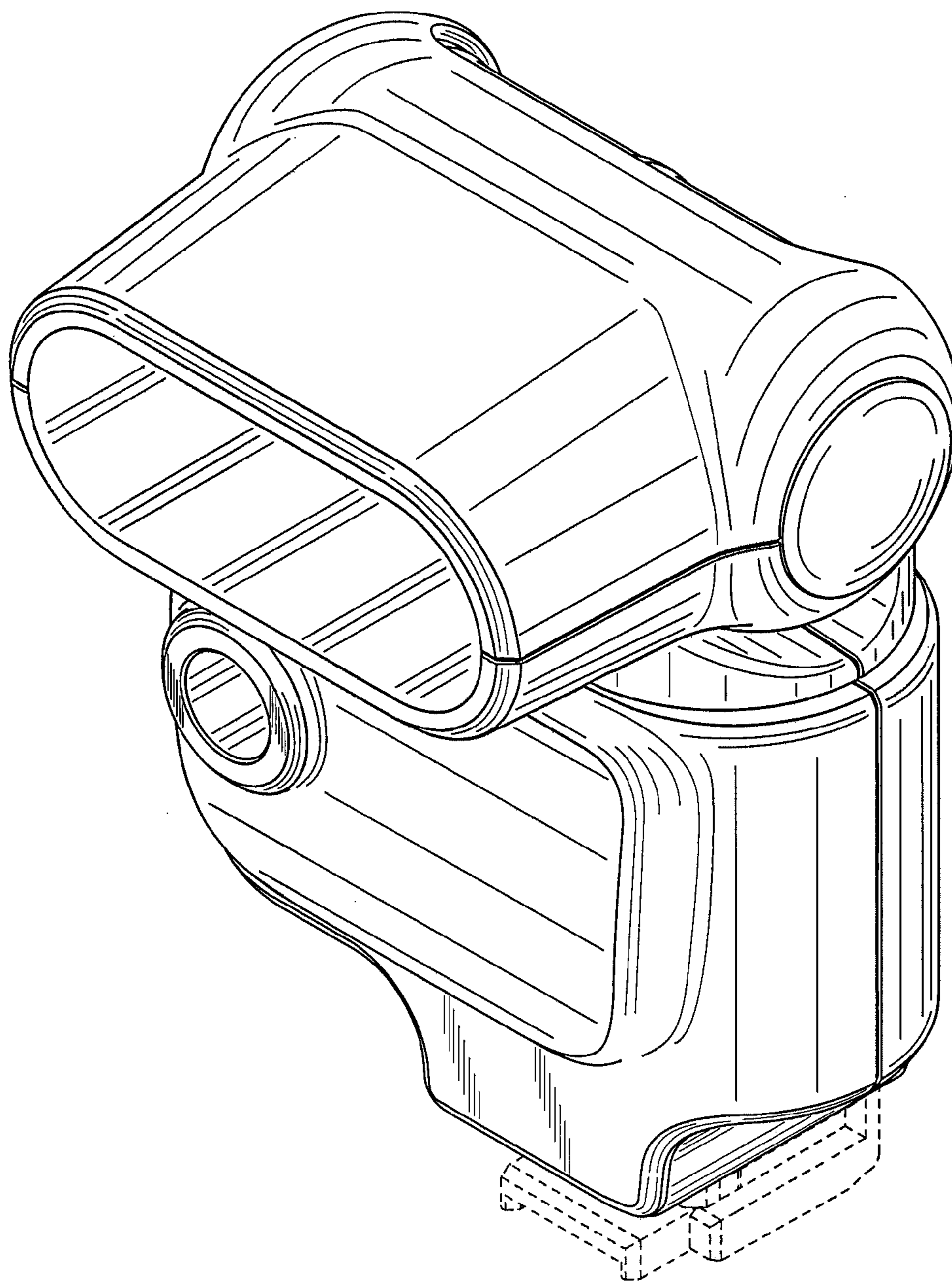


FIG. 2

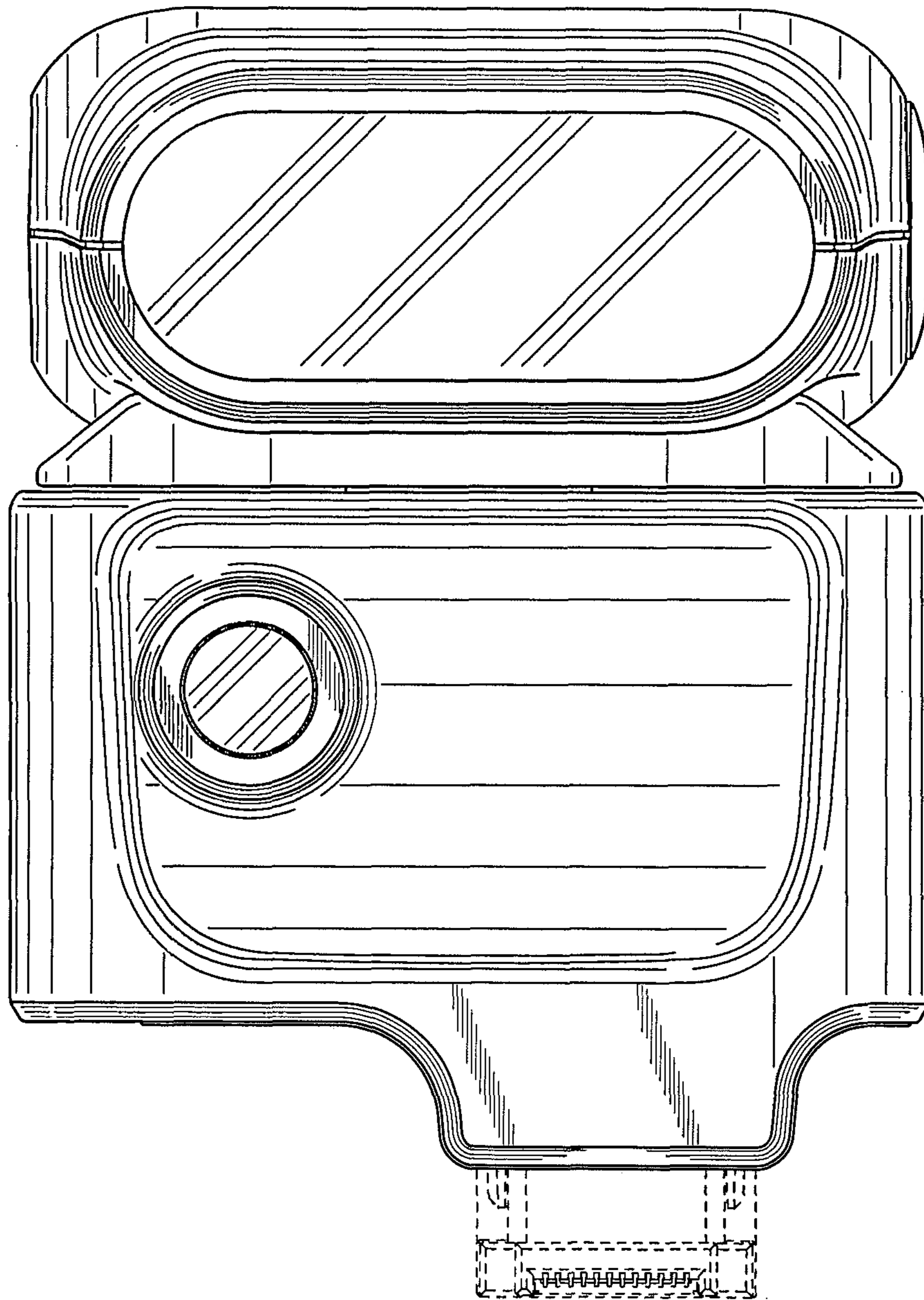


FIG. 3

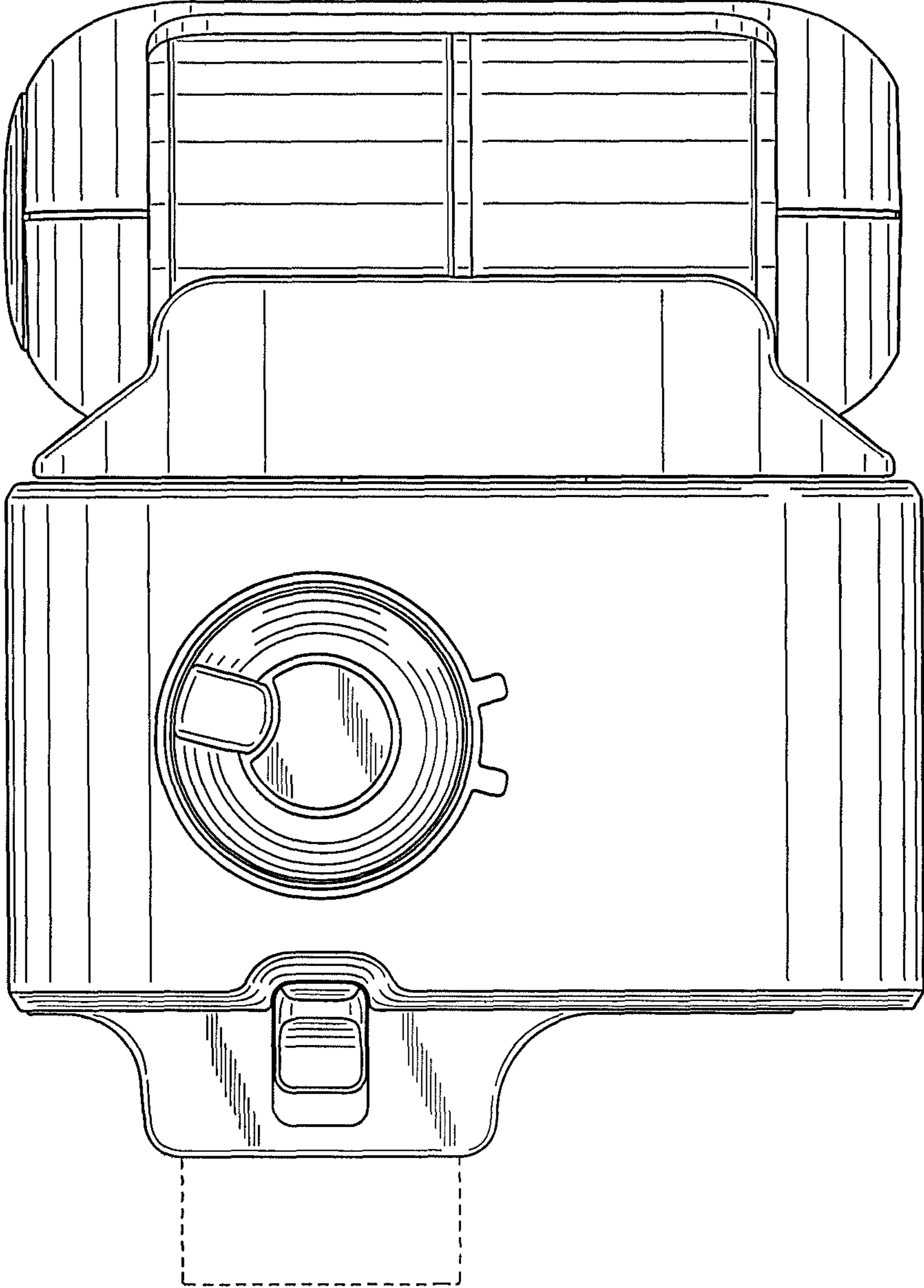


FIG. 4

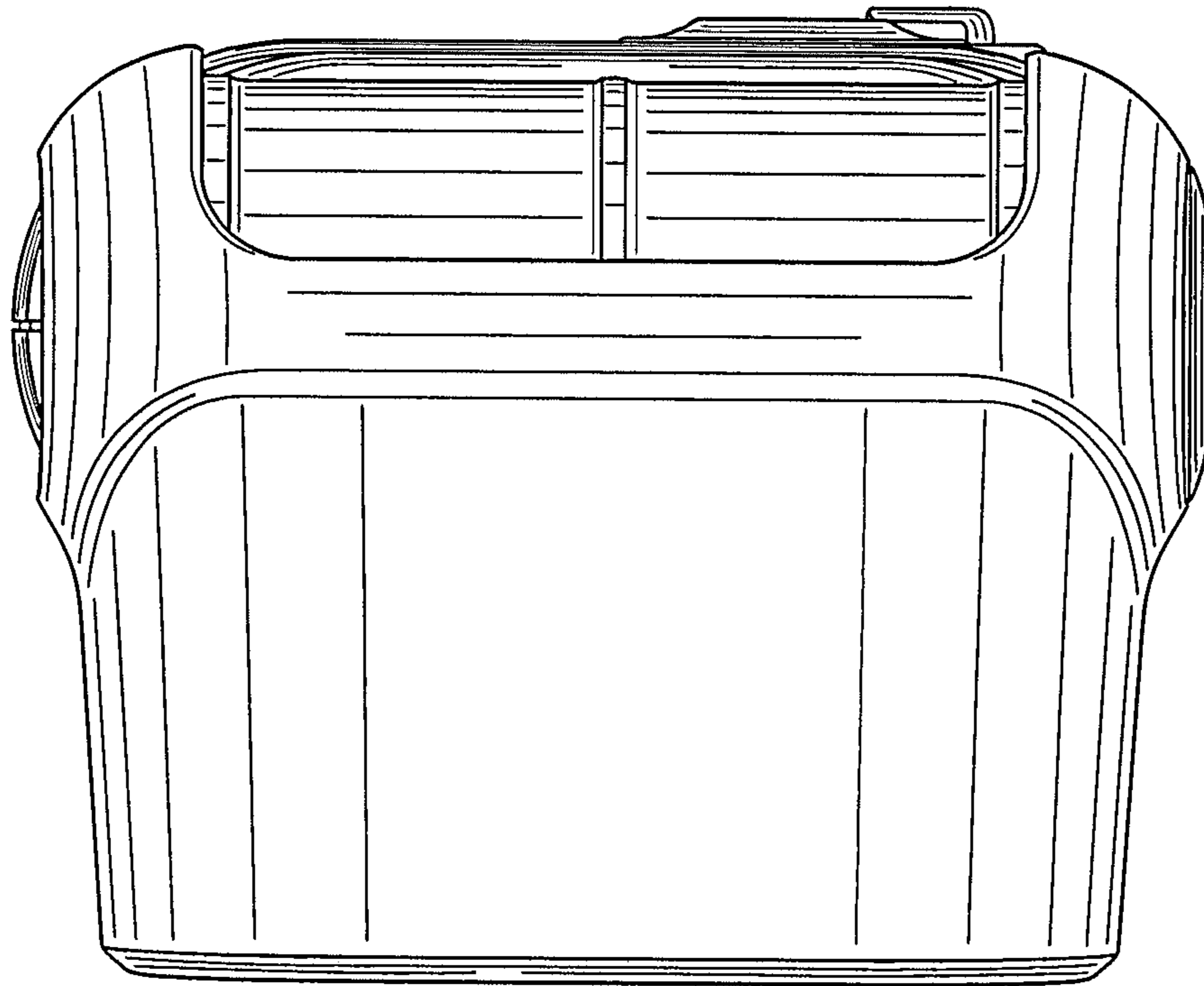


FIG. 5

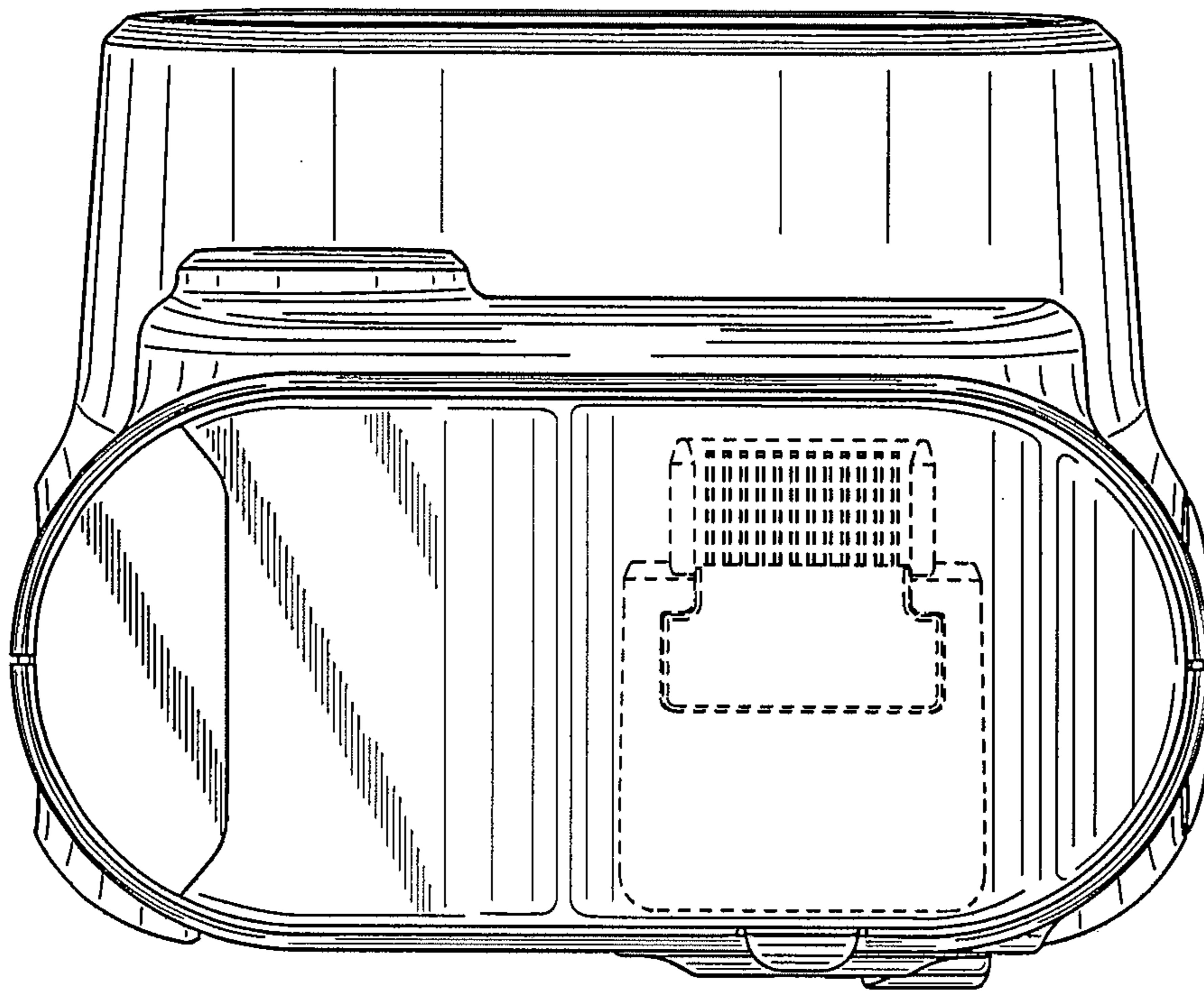


FIG. 6

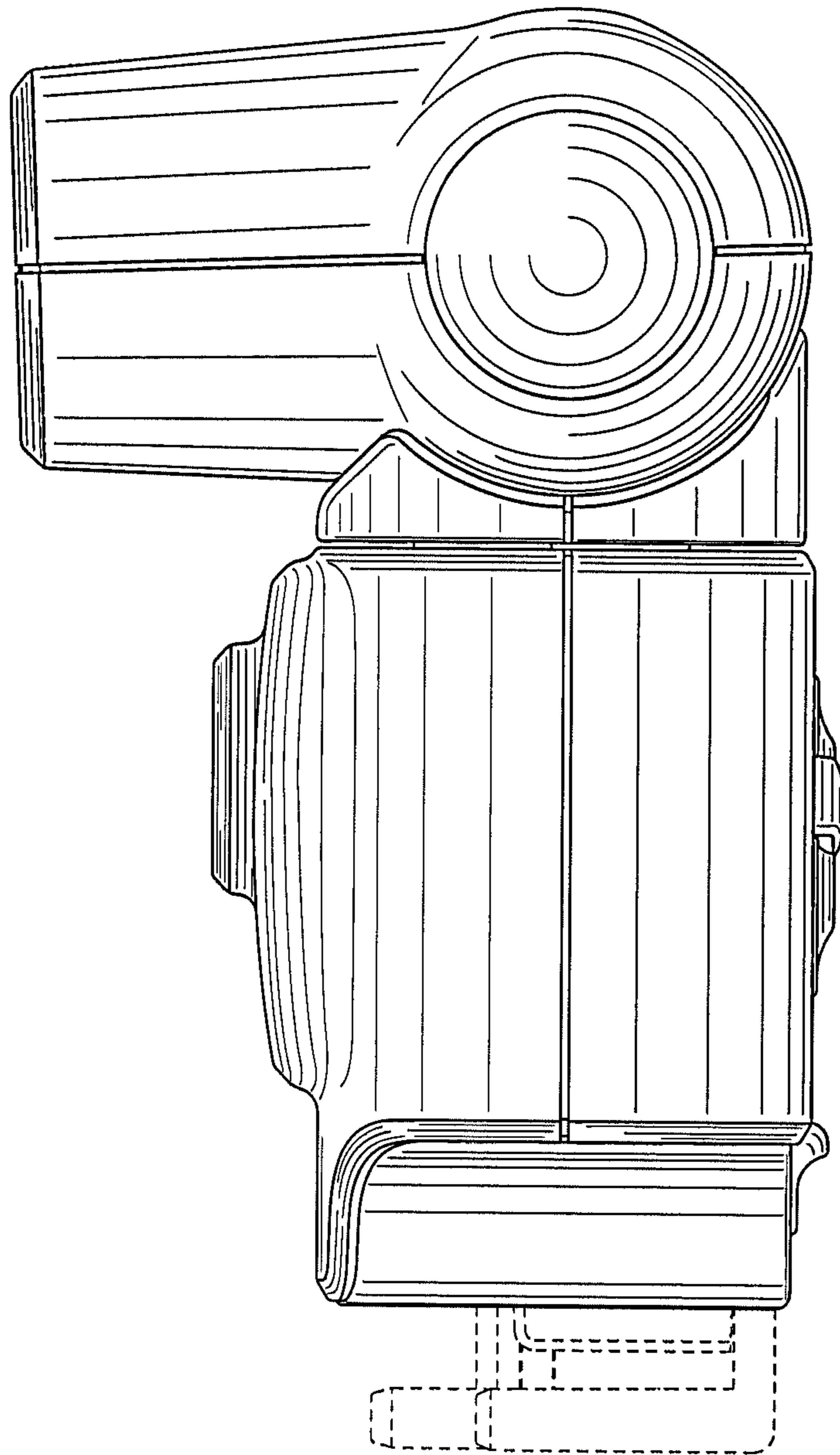


FIG. 7

