



US00D703722S

(12) **United States Design Patent**
Kim et al.

(10) **Patent No.:** **US D703,722 S**

(45) **Date of Patent:** **** Apr. 29, 2014**

(54) **CASE FOR CAMERA**

(71) Applicant: **Samsung Electronics Co., Ltd.**,
Suwon-Si (KR)

(72) Inventors: **Joon Ha Kim**, Seoul (KR); **Woohyeok Jeong**, Seoul (KR)

(73) Assignee: **Samsung Electronics Co., Ltd.**,
Gyeonggi-do (KR)

(**) Term: **14 Years**

(21) Appl. No.: **29/456,812**

(22) Filed: **Jun. 4, 2013**

(30) **Foreign Application Priority Data**

Dec. 24, 2012 (KR) 30-2012-0062028

(51) **LOC (10) Cl.** **16-05**

(52) **U.S. Cl.**
USPC **D16/237; D3/267**

(58) **Field of Classification Search**
USPC D16/237, 239, 240; D14/203.4, 250,
D14/345, 440, 449; 362/3, 16-18, 182, 552,
362/612; D3/205, 227, 247, 263, 267, 268,
D3/298; D8/73, 107, 310, 352, 373, 382;
D9/435, 445, 453, 454; D11/78.1
See application file for complete search history.

(56) **References Cited**

U.S. PATENT DOCUMENTS

D244,405 S * 5/1977 Takata et al. D3/267
D410,916 S * 6/1999 Oba D14/432

D476,149 S * 6/2003 Andre et al. D3/218
D543,699 S * 6/2007 Kuroda D3/268
D574,614 S * 8/2008 Sanders D3/247
D580,167 S * 11/2008 Jones D3/267
D593,088 S * 5/2009 Lee et al. D14/345
D619,451 S * 7/2010 Carlesso D8/395
D633,123 S * 2/2011 Katsuraku et al. D16/219
D681,000 S * 4/2013 Koh et al. D14/203.4

* cited by examiner

Primary Examiner — Susan Bennett Hattan

Assistant Examiner — Vy Koenig

(74) *Attorney, Agent, or Firm* — Harness, Dickey & Pierce,
P.L.C.

(57) **CLAIM**

The ornamental design for a case for camera, as shown and described.

DESCRIPTION

FIG. 1 is the front/right-side/top perspective view of a case for camera showing our new design;
FIG. 2 is the front elevational view thereof;
FIG. 3 is the rear elevational view thereof;
FIG. 4 is the left-side elevational view thereof;
FIG. 5 is the right-side elevational view thereof;
FIG. 6 is the top-side plan view thereof;
FIG. 7 is the bottom-side plan view thereof; and,
FIG. 8 is an isometric view of the case for camera, showing that the case slides on a camera.
The broken lines shown in FIG. 8 represent environmental subject matter and form no part of the claimed design.

1 Claim, 5 Drawing Sheets

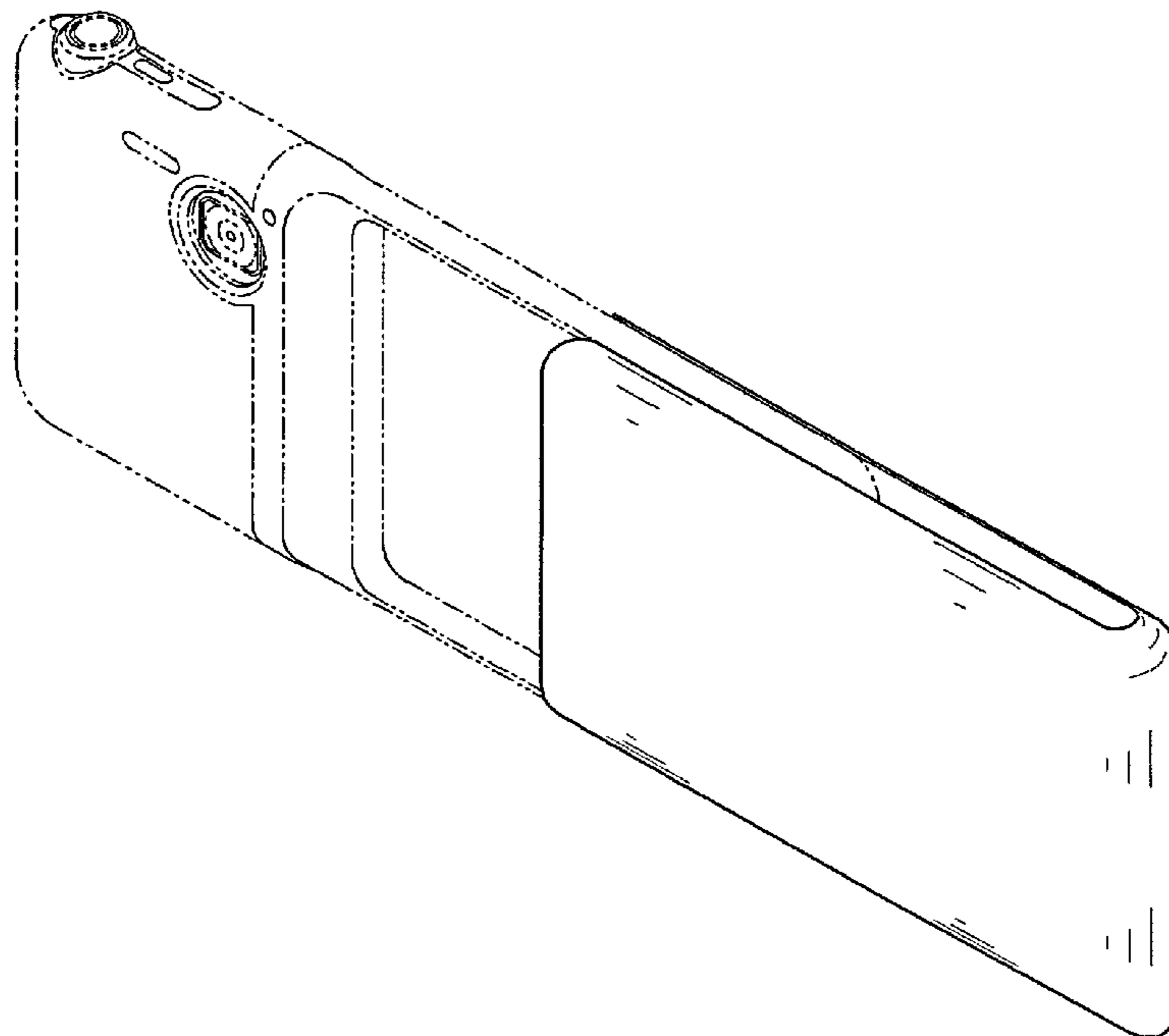


FIG. 1

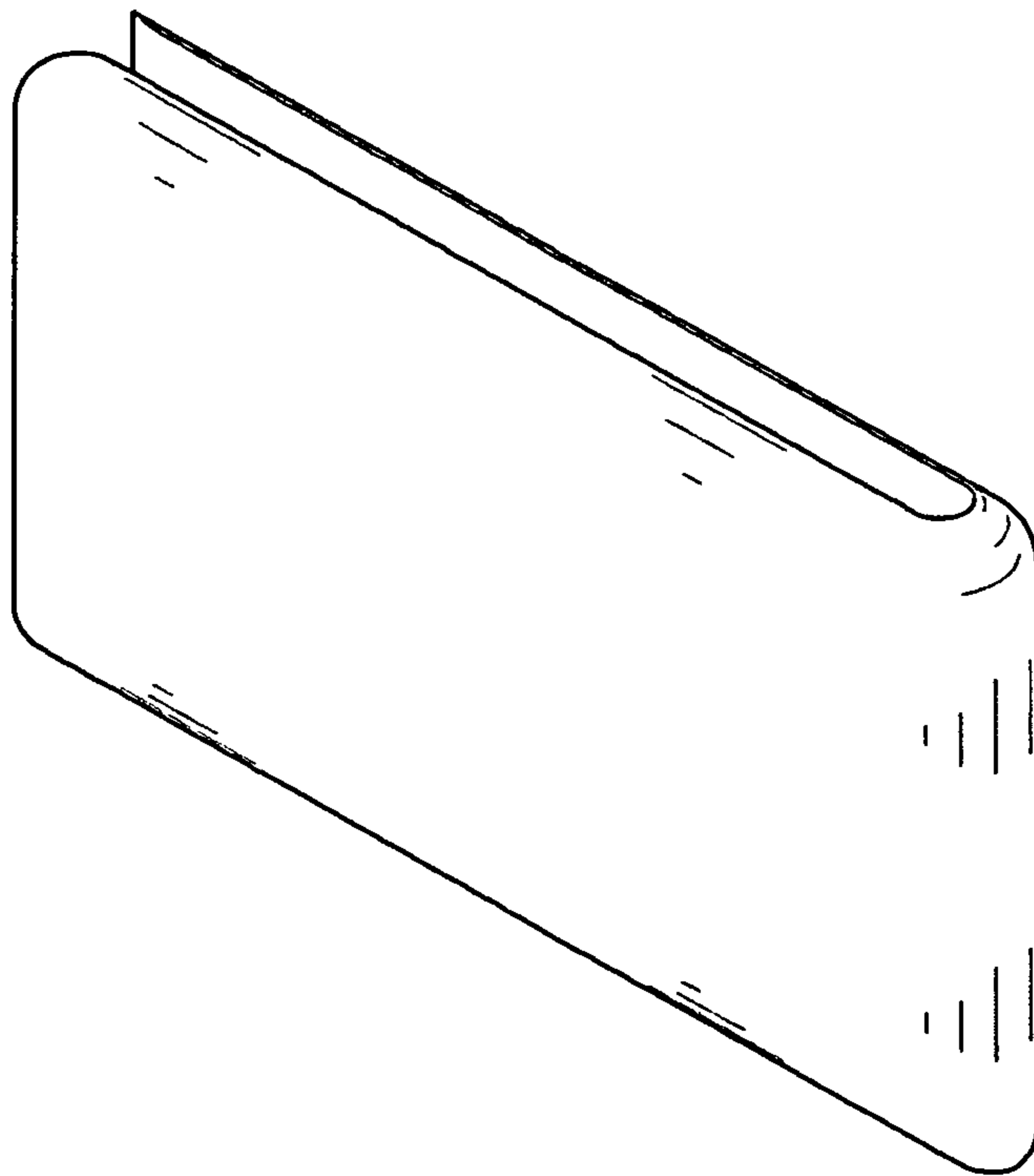


FIG. 2

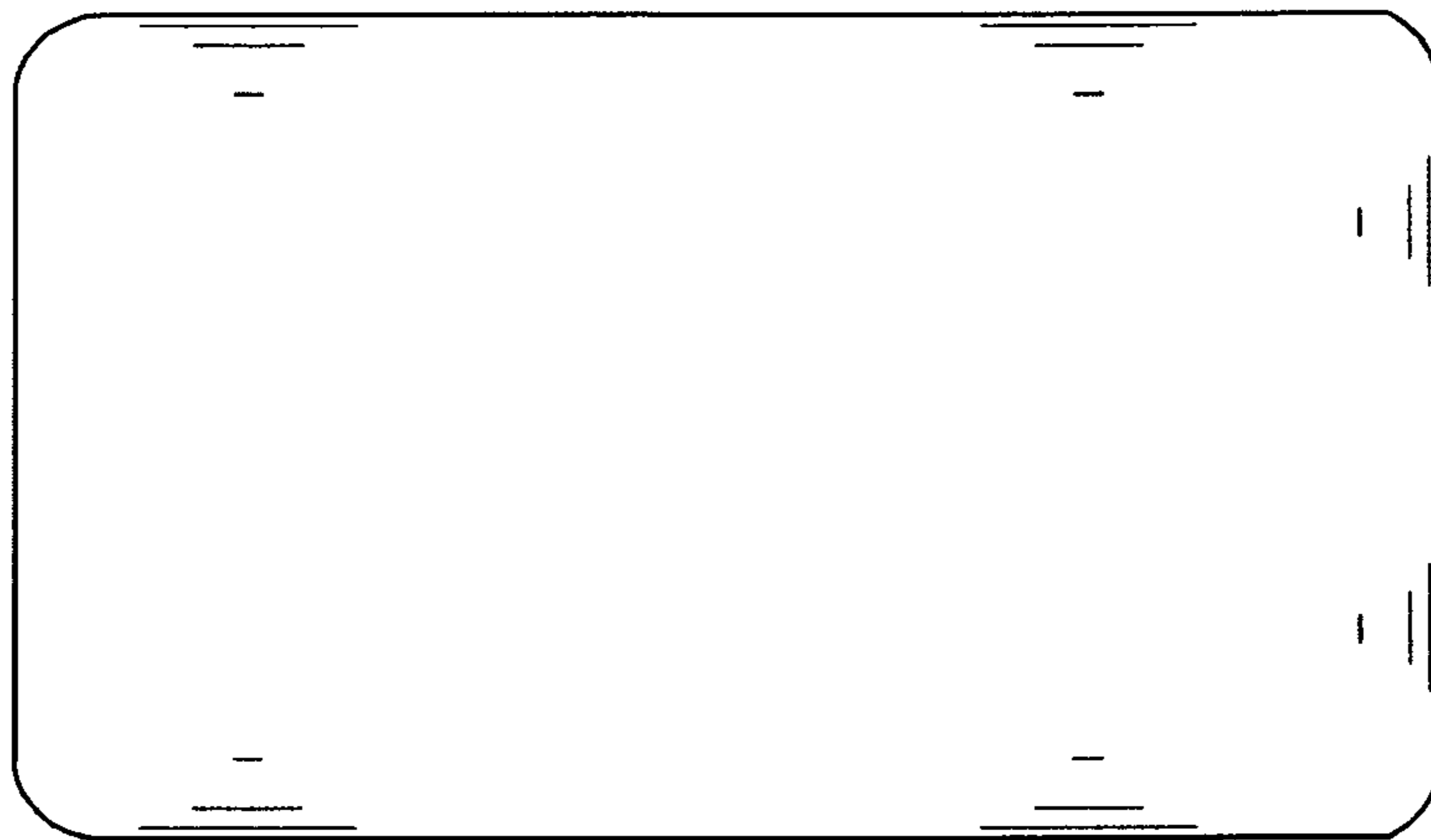


FIG. 3

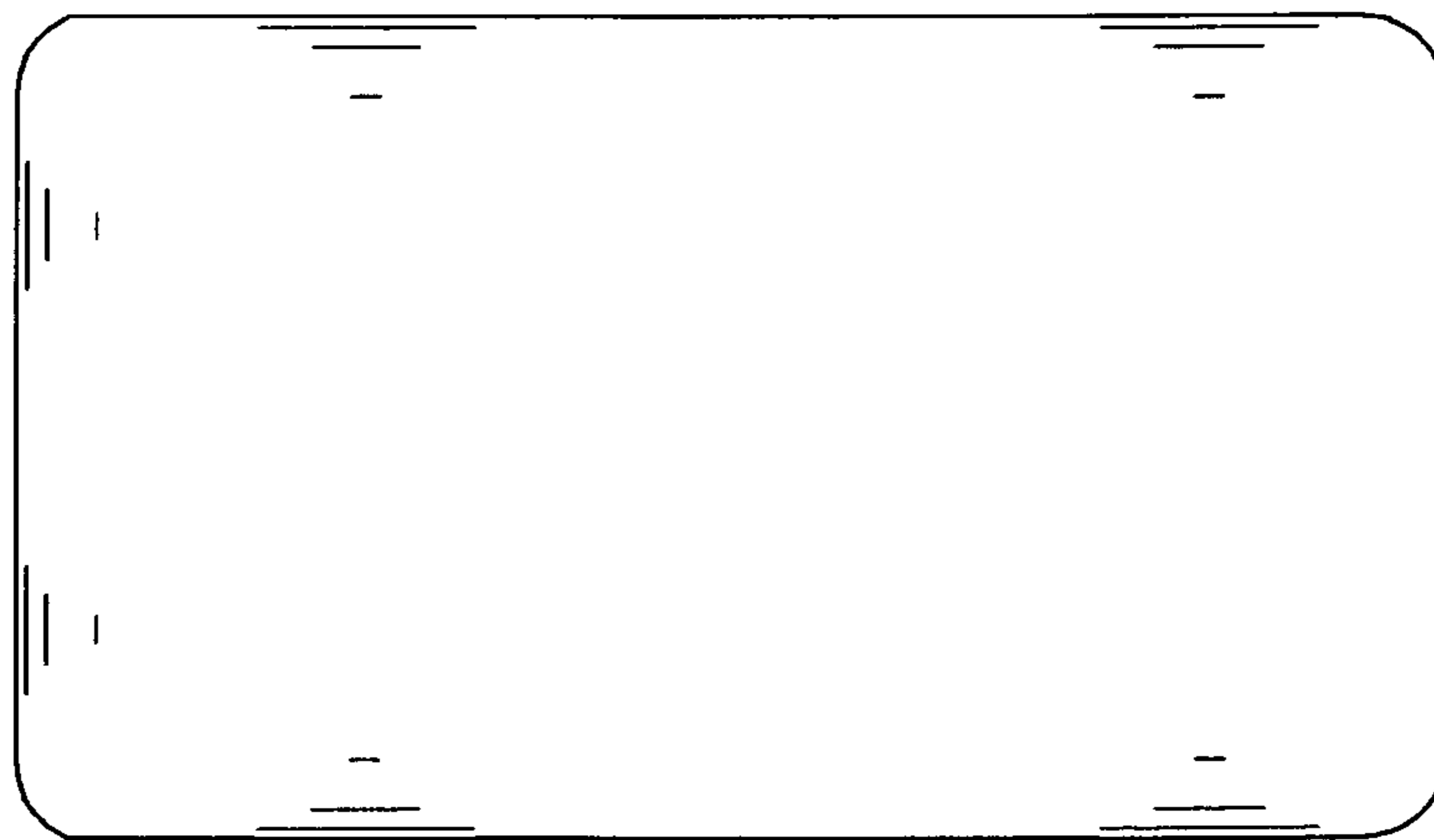


FIG. 4

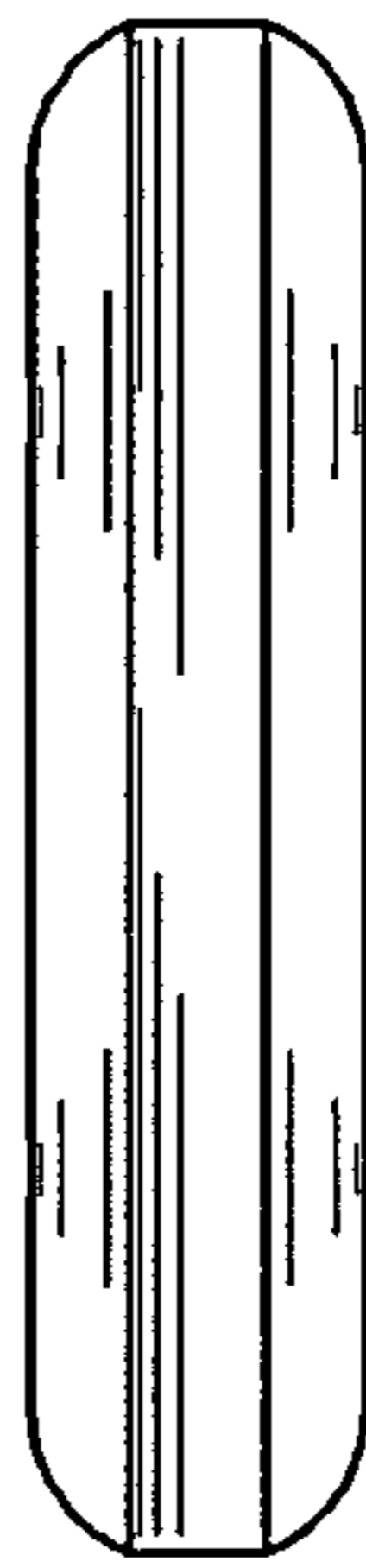


FIG. 5

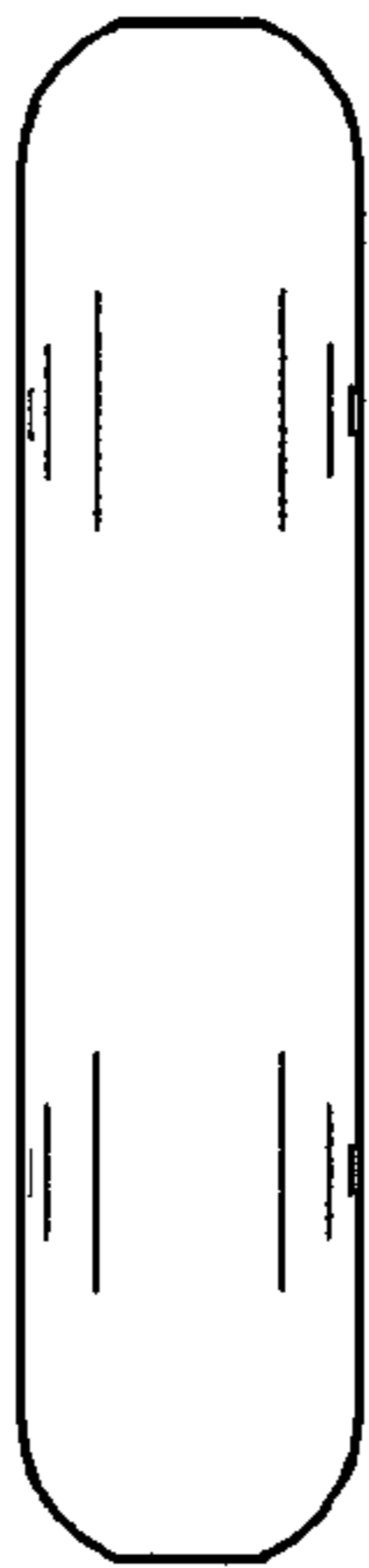


FIG. 6

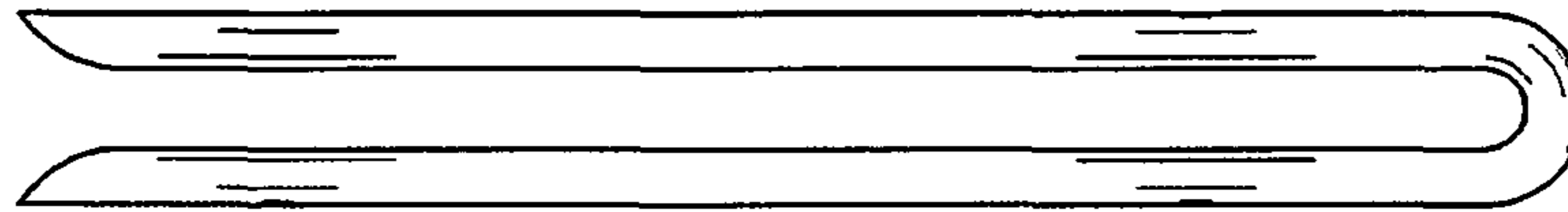


FIG. 7

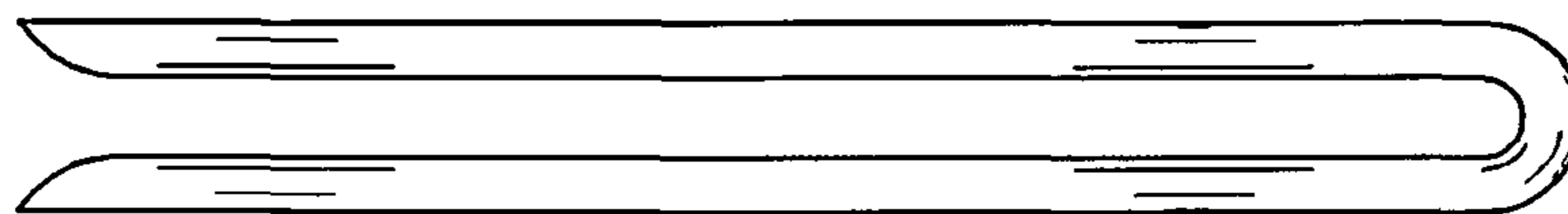


FIG. 8

