



US00D703721S

(12) **United States Design Patent**
Hayashi et al.

(10) **Patent No.:** **US D703,721 S**
(45) **Date of Patent:** **** Apr. 29, 2014**

(54) **WIRELESS CONTROL KIT FOR CAMERA**

(71) Applicant: **Samsung Electronics Co., Ltd.**,
Suwon-si (KR)

(72) Inventors: **Haruo Hayashi**, Seoul (KR); **Min-Geun Kim**, Goyang-Si (KR)

(73) Assignee: **Samsung Electronics Co., Ltd.**,
Suwon-si (KR)

(**) Term: **14 Years**

(21) Appl. No.: **29/446,901**

(22) Filed: **Feb. 28, 2013**

(30) **Foreign Application Priority Data**

Aug. 28, 2012 (KR) 30-2012-0041131

(51) **LOC (10) Cl.** **16-05**

(52) **U.S. Cl.**
USPC **D16/237**

(58) **Field of Classification Search**

USPC D16/237, 239, 240; D14/203.4, 250,
D14/345, 440, 449; 362/3, 16-18, 182, 552,
362/612; D3/205, 227, 247, 263, 267, 268,
D3/298; D8/73, 107, 310, 352, 373, 382;
D9/435, 445, 453, 454; D11/78.1

See application file for complete search history.

(56) **References Cited**

U.S. PATENT DOCUMENTS

D437,771 S * 2/2001 Barnes et al. D8/352
D501,714 S * 2/2005 Trybus D3/205

D573,826 S * 7/2008 Rubin et al. D6/546
D638,831 S * 5/2011 Paradise D14/253
D646,267 S * 10/2011 Salzedo D14/253
D667,403 S * 9/2012 Maus D14/385
D669,461 S * 10/2012 Wikel D14/253
D671,949 S * 12/2012 Jeon et al. D14/447
D681,040 S * 4/2013 Rossiter et al. D14/434
D685,323 S * 7/2013 Szymanski et al. D13/108

* cited by examiner

Primary Examiner — Susan Bennett Hattan

Assistant Examiner — Vy Koenig

(74) *Attorney, Agent, or Firm* — NSIP Law

(57) **CLAIM**

The ornamental design for a wireless control kit for camera,
as shown and described.

DESCRIPTION

FIG. 1 is a front perspective view of a wireless control kit for camera;

FIG. 2 is a front view of the wireless control kit for camera of FIG. 1;

FIG. 3 is a rear view of the wireless control kit for camera of FIG. 1;

FIG. 4 is a left-side view of the wireless control kit for camera of FIG. 1;

FIG. 5 is a right-side view of the wireless control kit for camera of FIG. 1;

FIG. 6 is a top plan view of the wireless control kit for camera of FIG. 1; and,

FIG. 7 is a bottom plan view of the wireless control kit for camera of FIG. 1.

1 Claim, 5 Drawing Sheets

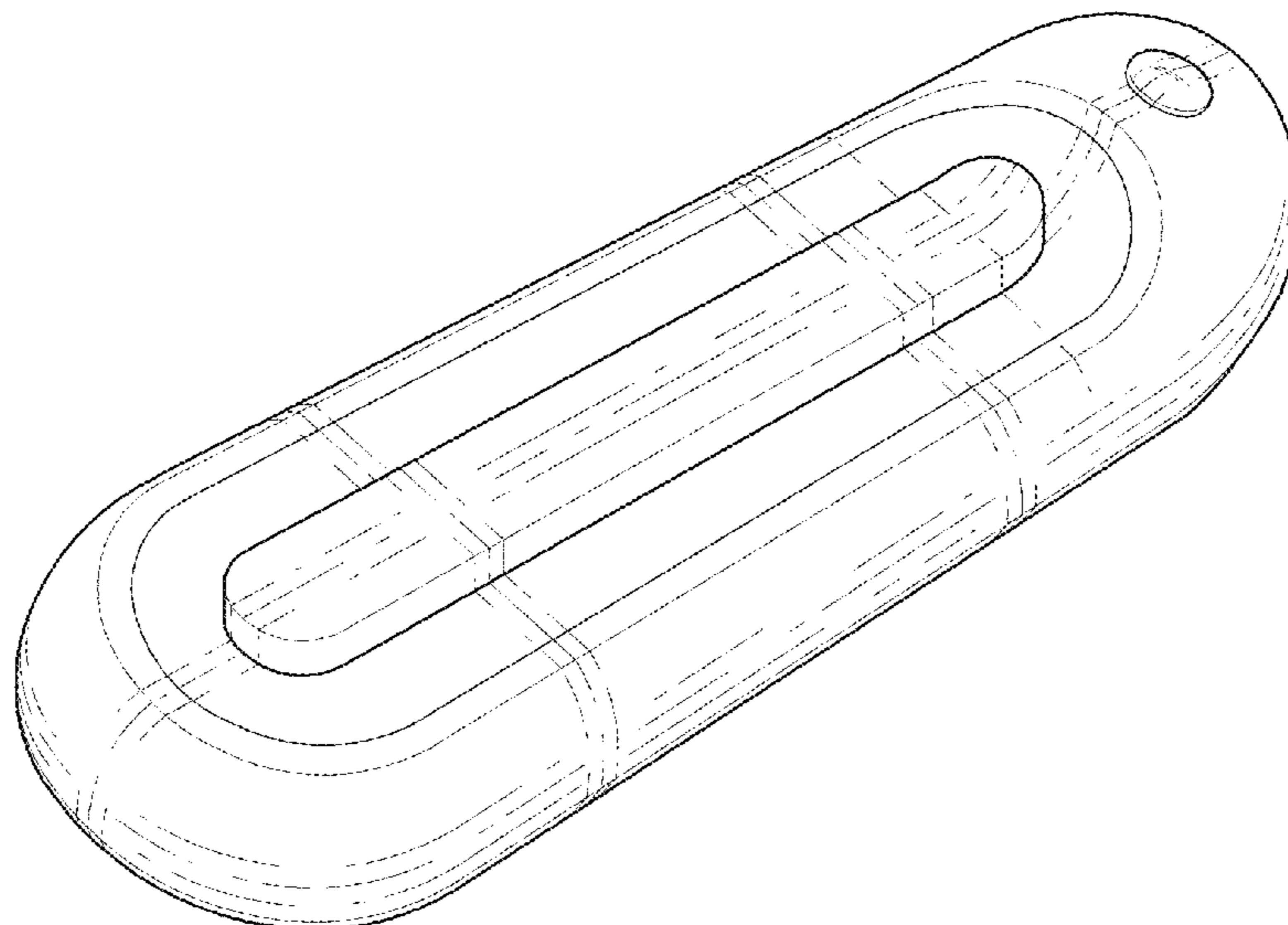


FIG. 1

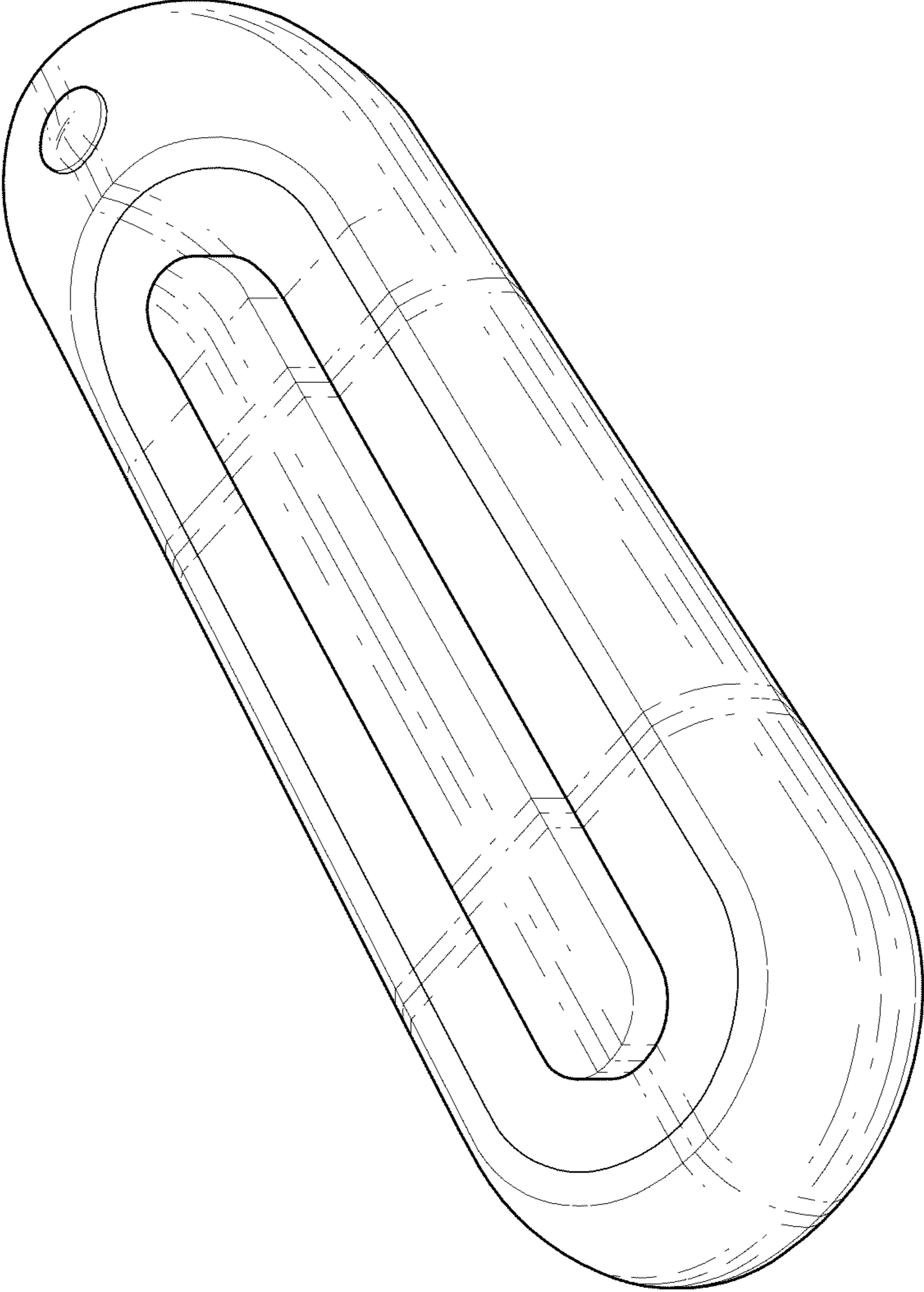


FIG. 2

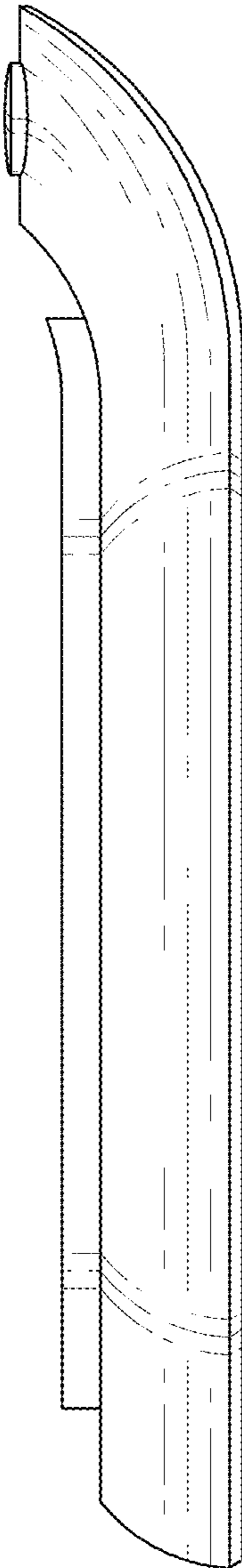


FIG. 3

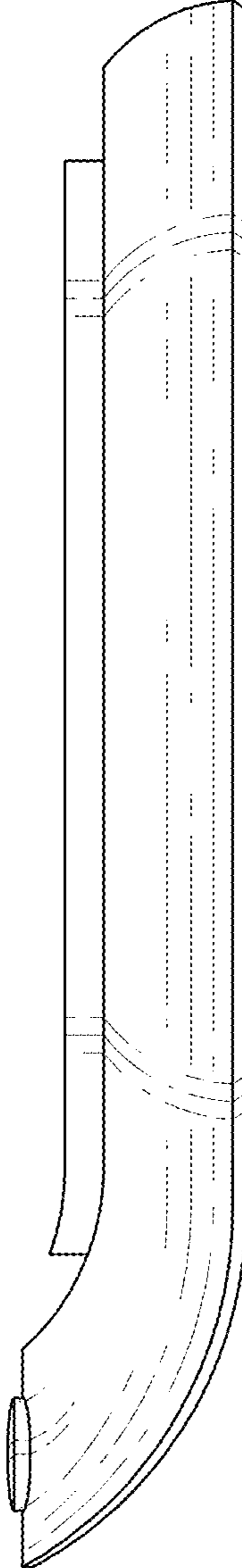


FIG. 4

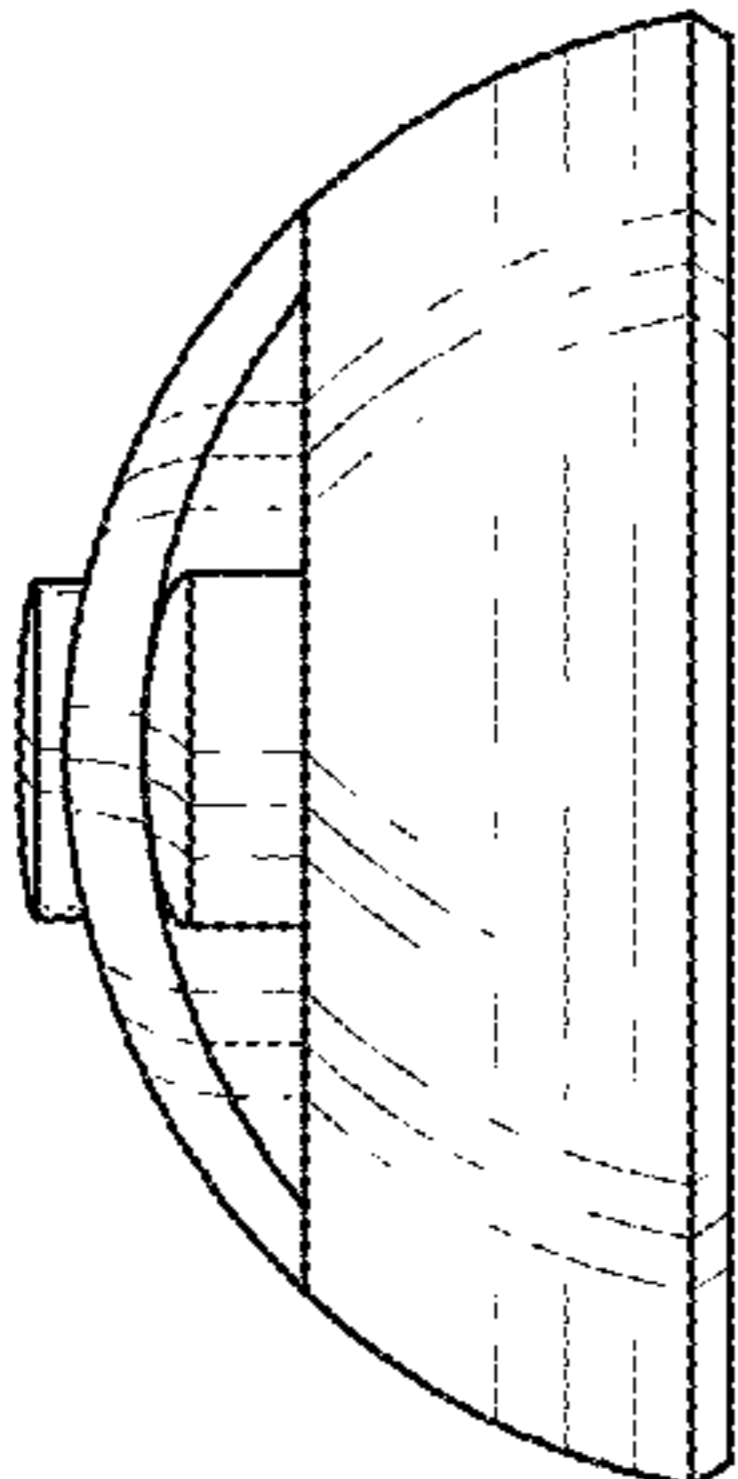


FIG. 5

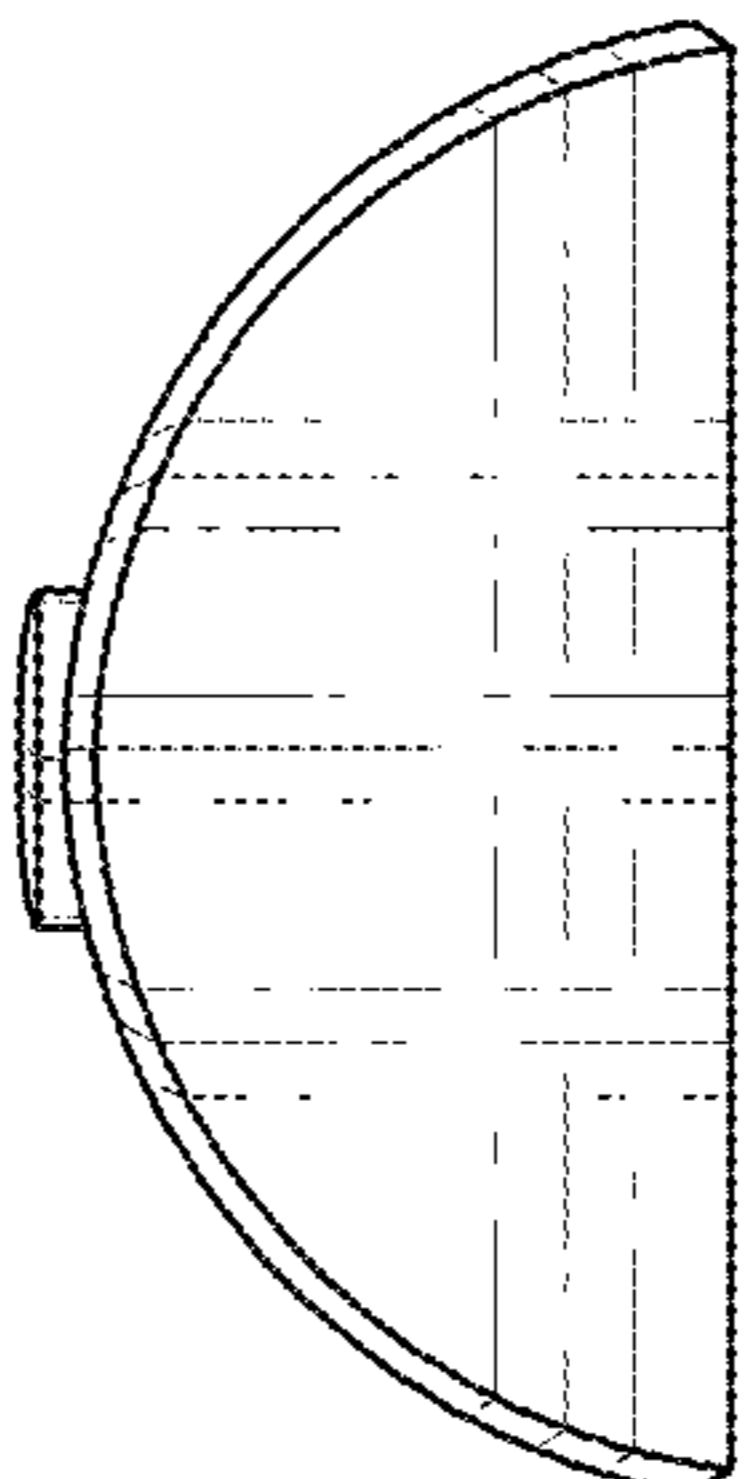


FIG. 6

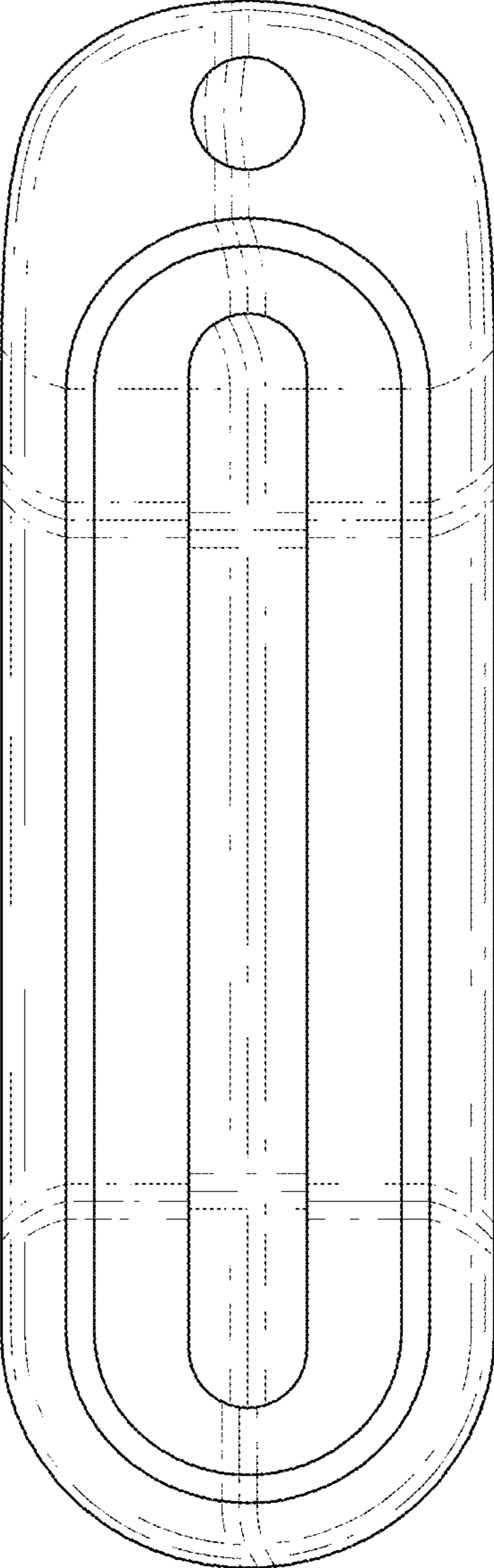


FIG. 7

