



US00D703720S

(12) **United States Design Patent**  
**Umehara et al.**

(10) **Patent No.:** **US D703,720 S**  
(45) **Date of Patent:** **\*\* Apr. 29, 2014**

(54) **FIXTURE FOR CAMERA ATTACHMENTS**

(75) Inventors: **Takashi Umehara**, Tokyo (JP); **Akio Shindate**, London (GB)

(73) Assignee: **Nikon Corporation**, Tokyo (JP)

(\*\*) Term: **14 Years**

(21) Appl. No.: **29/415,419**

(22) Filed: **Mar. 9, 2012**

(30) **Foreign Application Priority Data**

Sep. 15, 2011 (JP) ..... 2011-021150

(51) **LOC (10) Cl.** ..... **16-05**

(52) **U.S. Cl.**  
USPC ..... **D16/237**

(58) **Field of Classification Search**  
USPC ..... D16/237, 239, 240; D14/203.4, 250,  
D14/345, 440, 449; 362/3, 16-18, 182, 552,  
362/612; D3/205, 227, 247, 263, 267, 268,  
D3/298; D8/73, 107, 310, 352, 373, 382;  
D9/435, 445, 453, 454  
See application file for complete search history.

(56) **References Cited**

**U.S. PATENT DOCUMENTS**

D330,672 S \* 11/1992 Wilkinson, III ..... D8/373  
D378,343 S \* 3/1997 Macor ..... D8/73  
D402,188 S \* 12/1998 Hetner et al. .... D8/373

D557,595 S \* 12/2007 Ernst et al. .... D8/373  
D678,754 S \* 3/2013 Burr ..... D8/366  
D682,463 S \* 5/2013 Bernard ..... D26/140  
D686,272 S \* 7/2013 Umehara et al. .... D16/243

\* cited by examiner

*Primary Examiner* — Susan Bennett Hattan

*Assistant Examiner* — Vy Koenig

(74) *Attorney, Agent, or Firm* — Wolf, Greenfield & Sacks, P.C.; Randy J. Pritzker

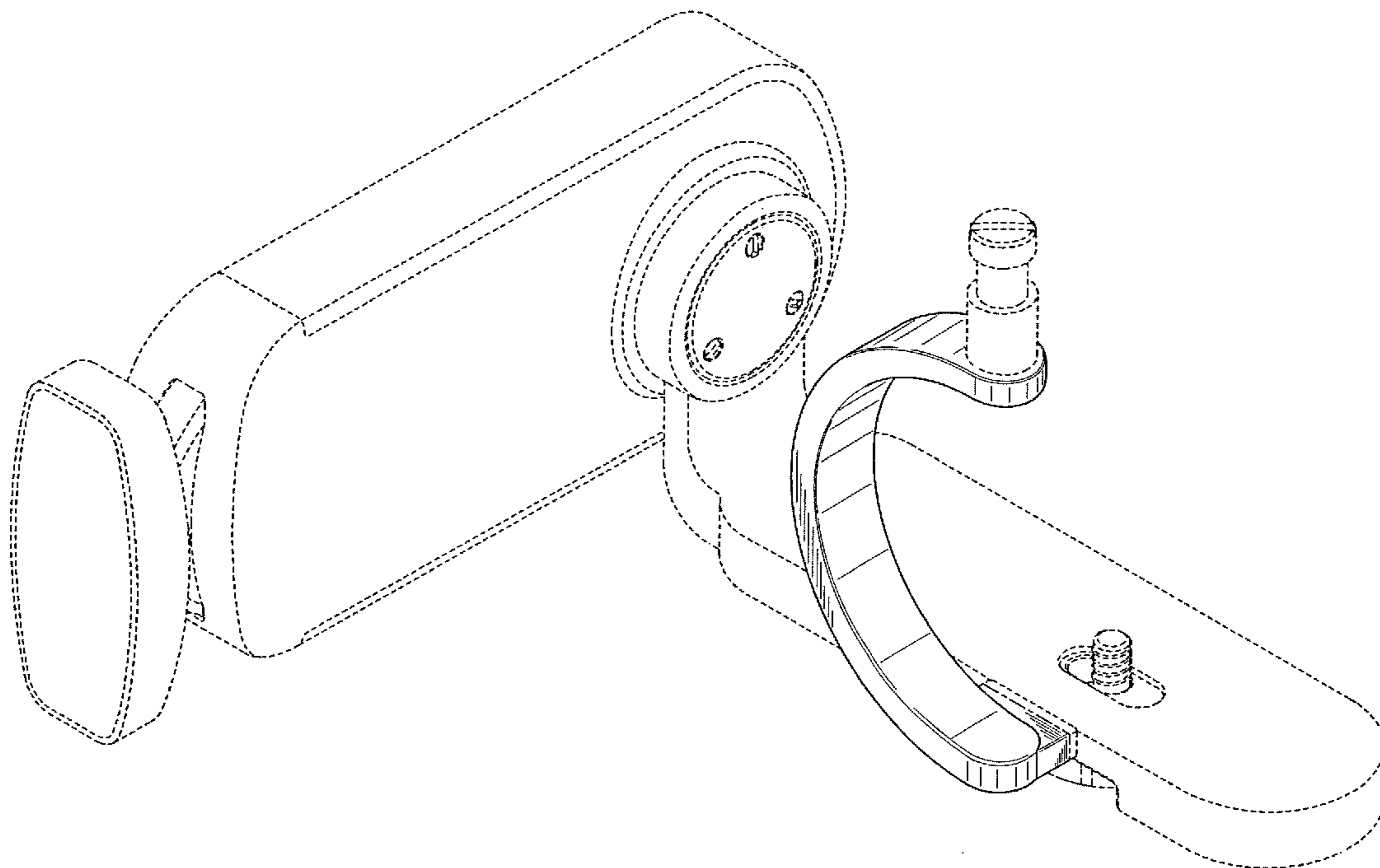
(57) **CLAIM**

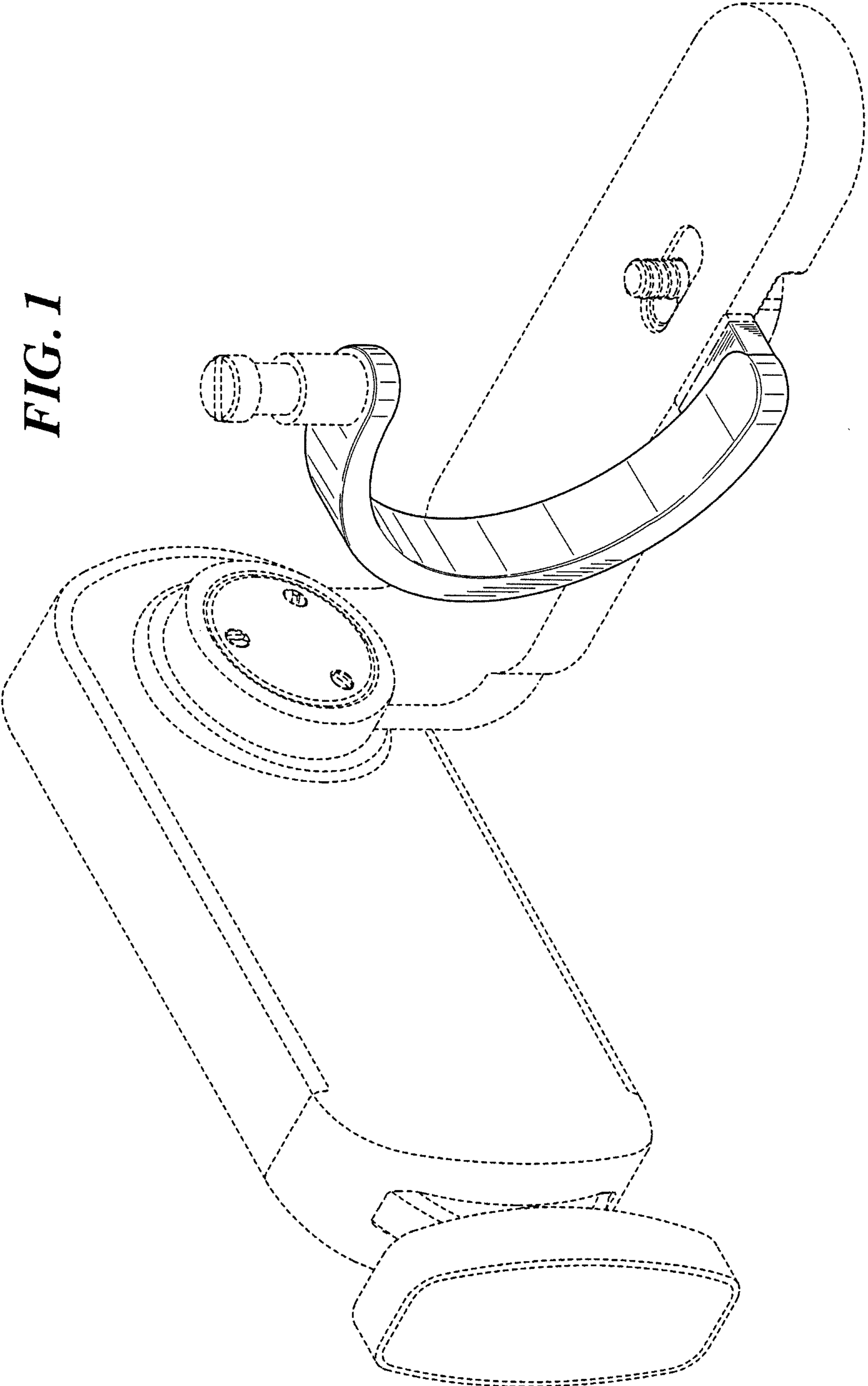
The ornamental design for a fixture for camera attachments, as shown and described.

**DESCRIPTION**

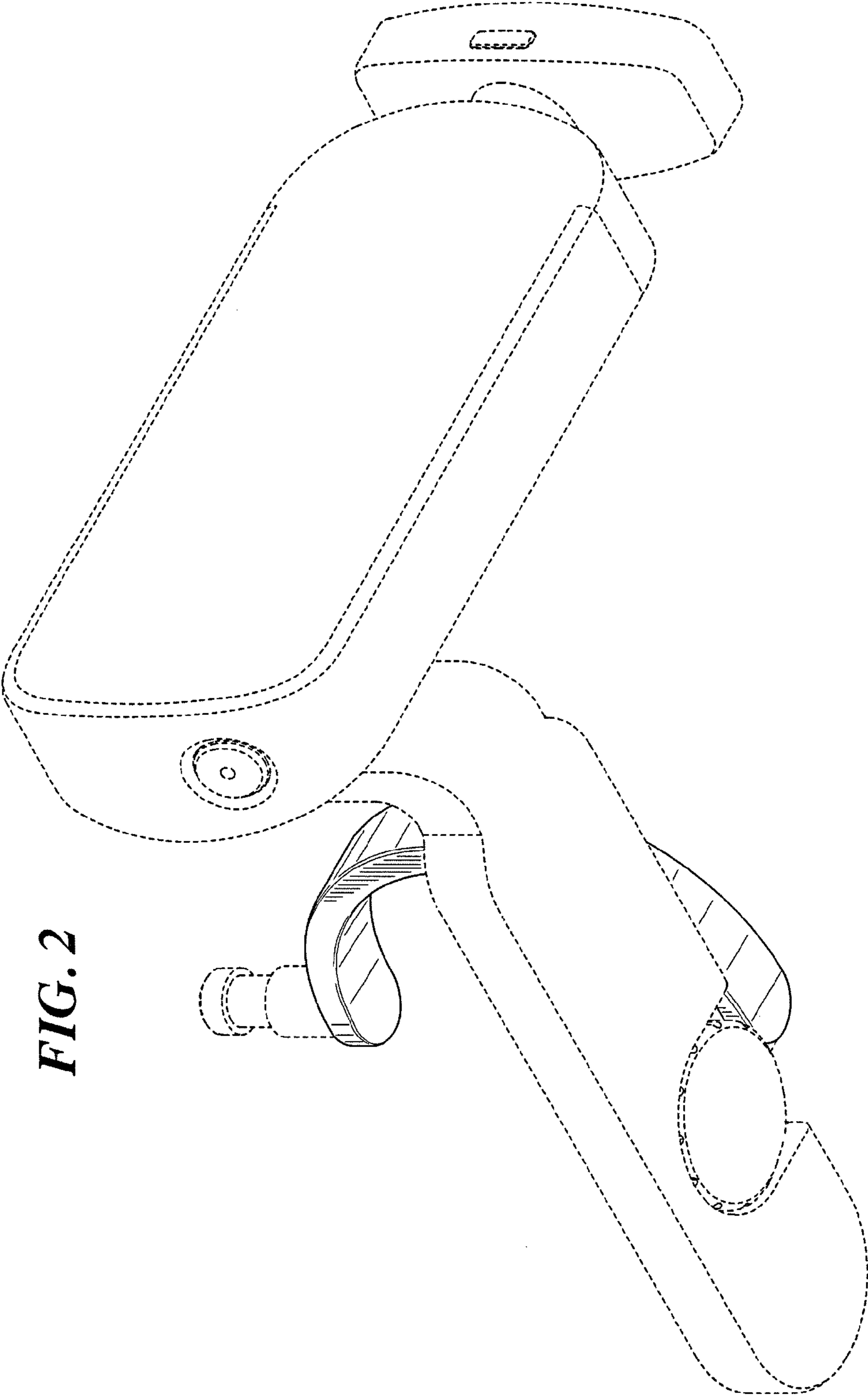
FIG. 1 is a front perspective view of a fixture for camera attachments showing our new design; FIG. 2 is a rear perspective view thereof; FIG. 3 is a front view thereof; FIG. 4 is a rear view thereof; FIG. 5 is a top plan view thereof; FIG. 6 is a bottom plan view thereof; FIG. 7 is a right side view thereof; FIG. 8 is a left side view thereof; and, FIG. 9 is a referential view showing the article in use. The features shown in broken lines in the drawings depict environmental subject matter only and form no part of the claimed design. The dash-dotted lines denote the boundary of the claim and form no part of the claimed design.

**1 Claim, 9 Drawing Sheets**



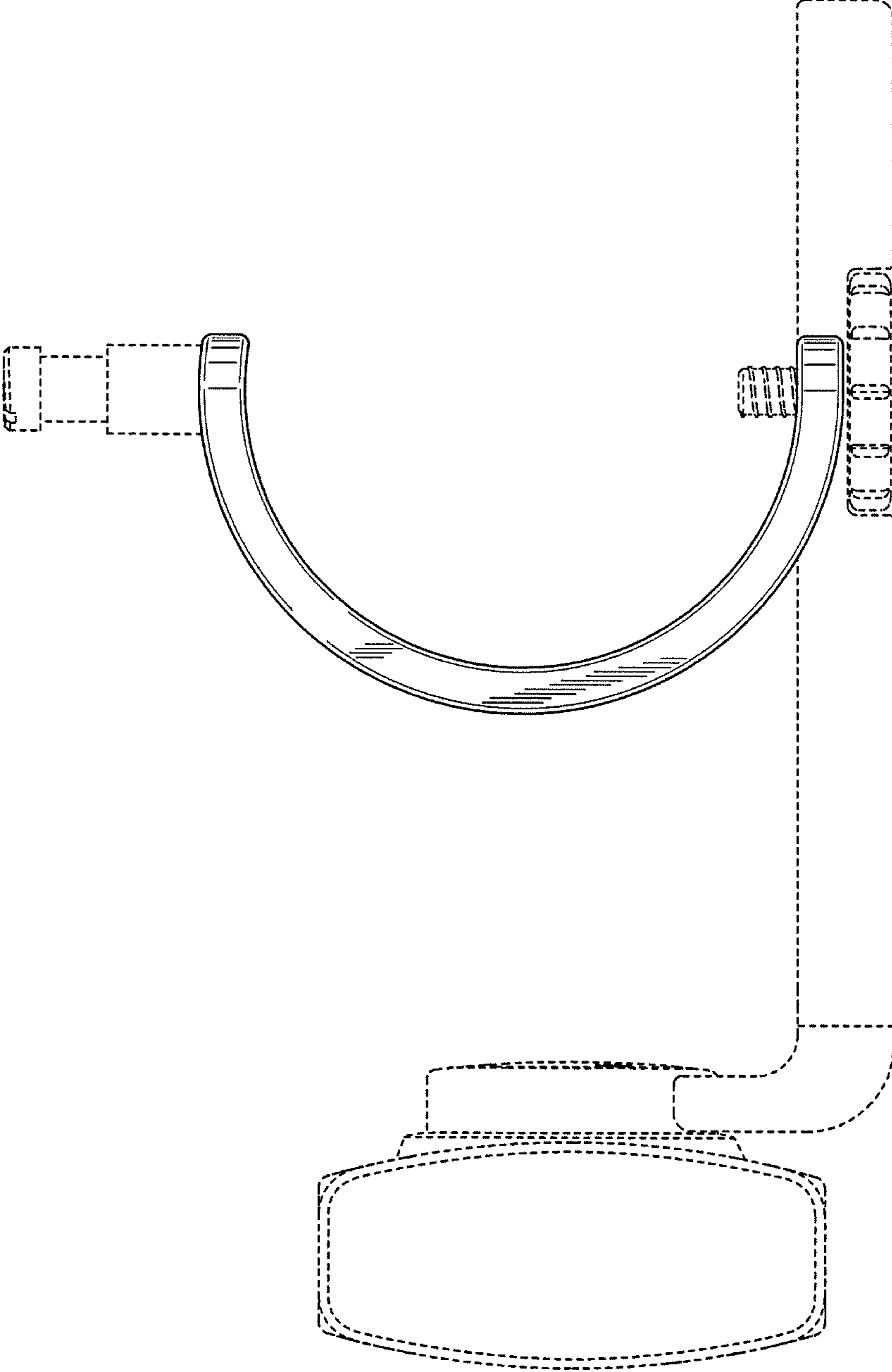


**FIG. 1**

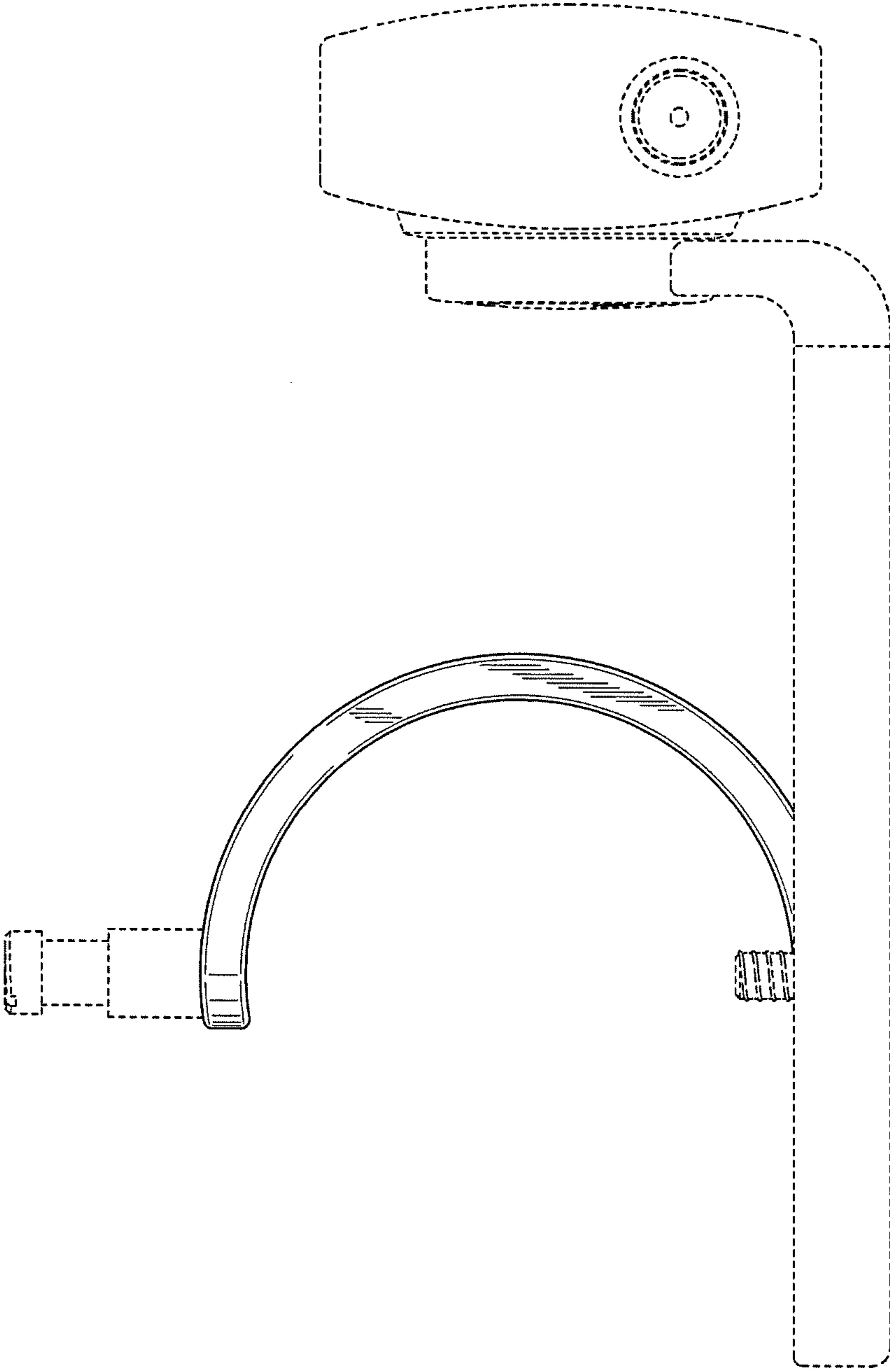


**FIG. 2**

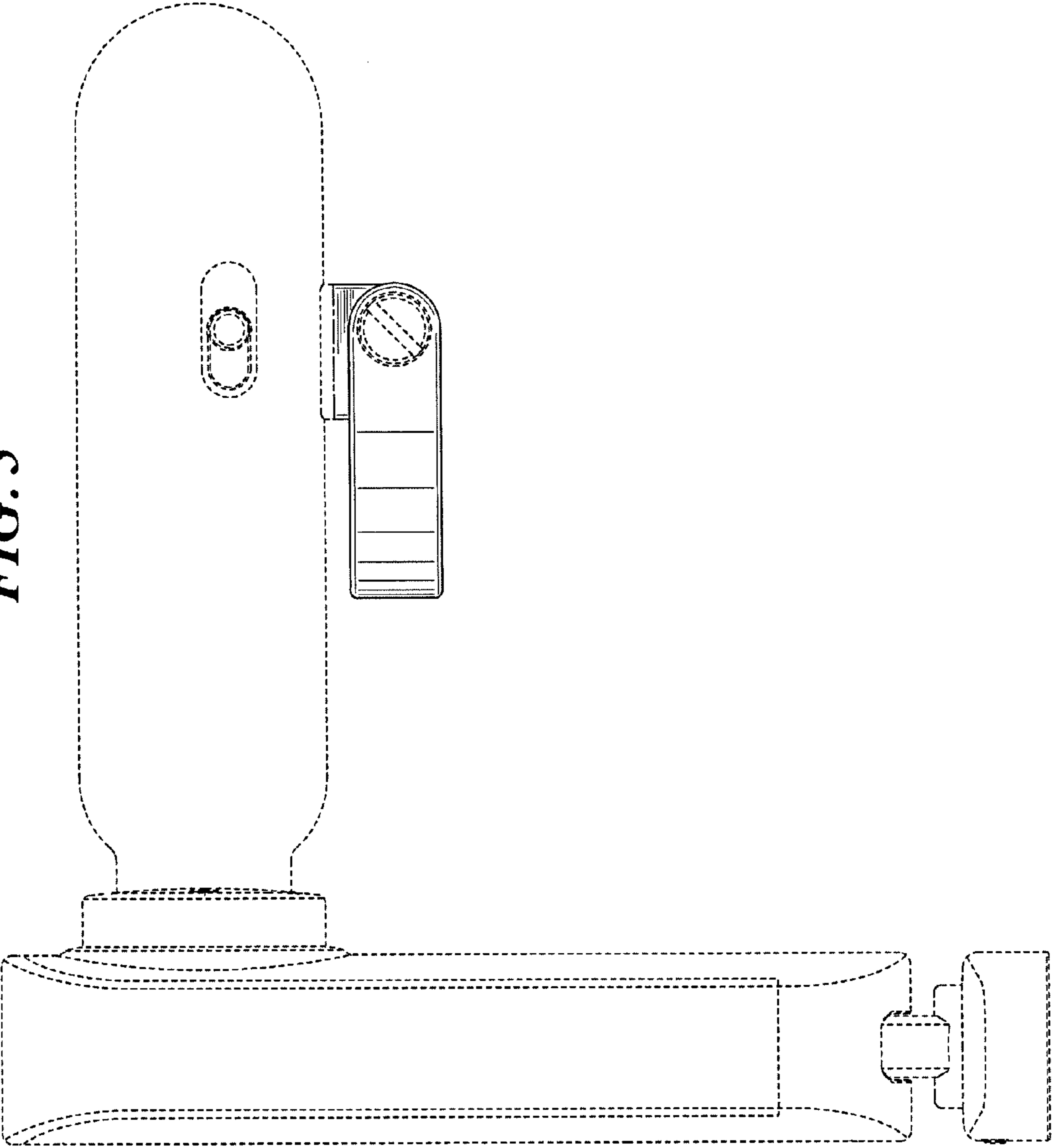
**FIG. 3**



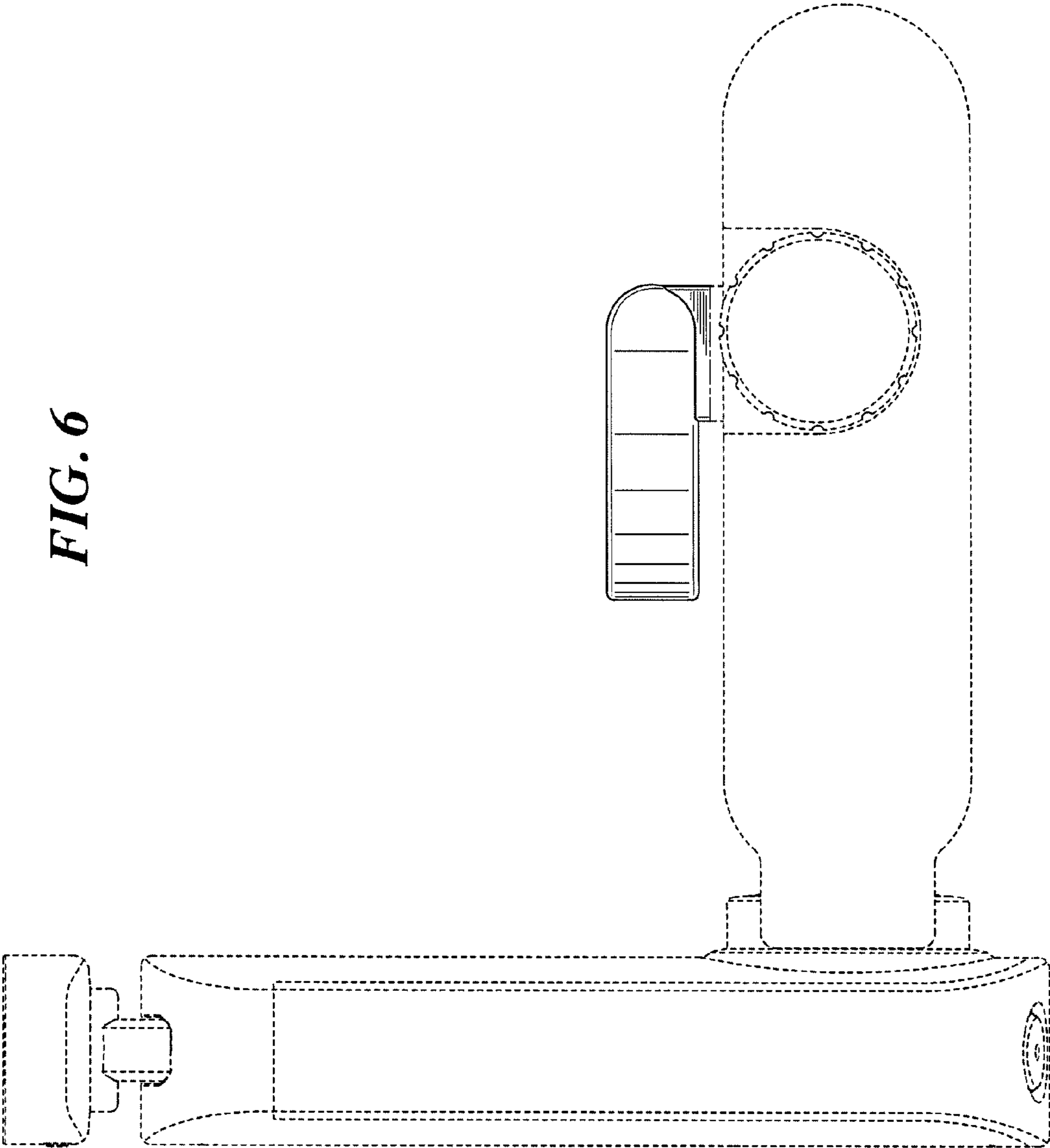
**FIG. 4**



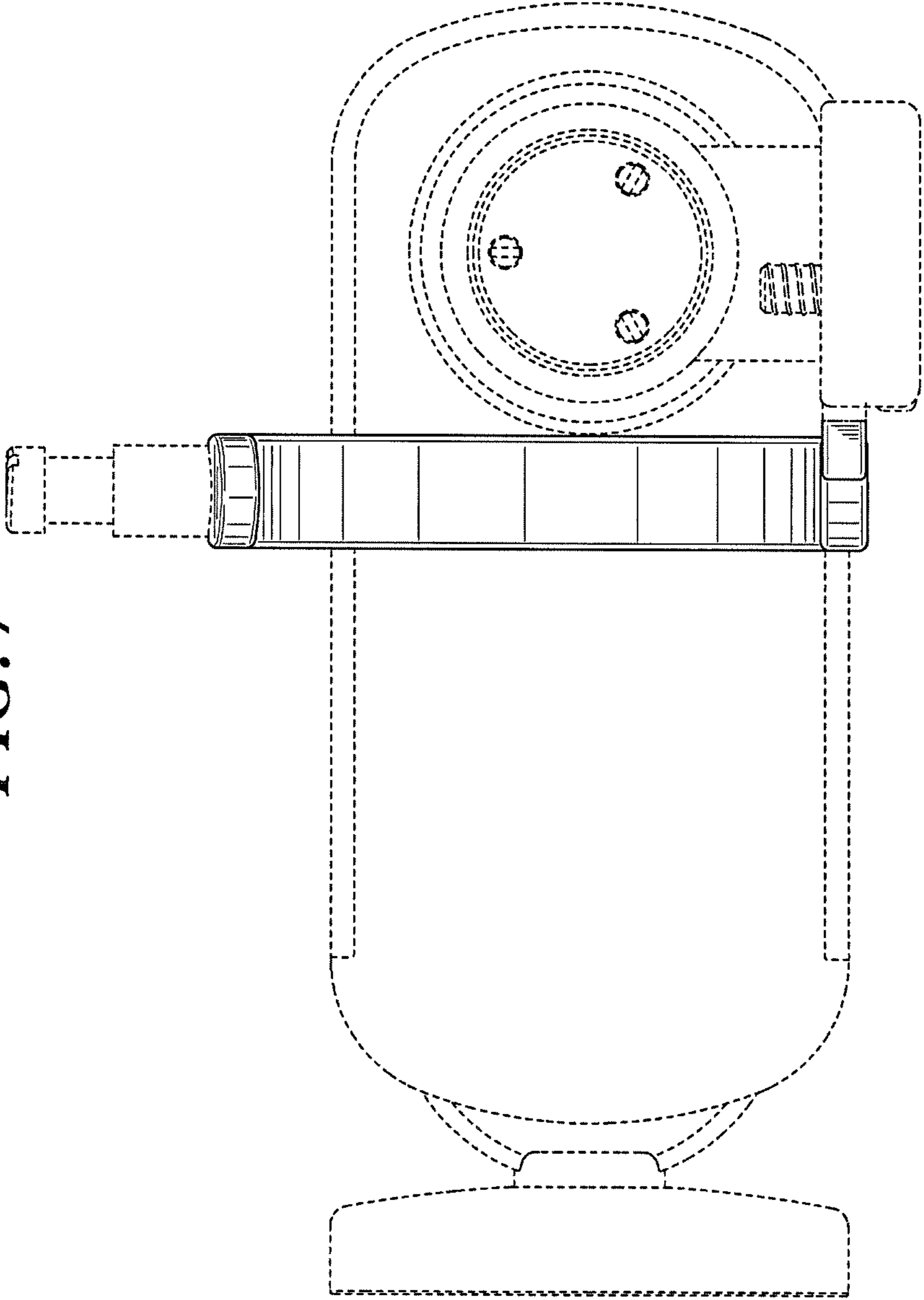
*FIG. 5*



**FIG. 6**



**FIG. 7**





**FIG. 8**

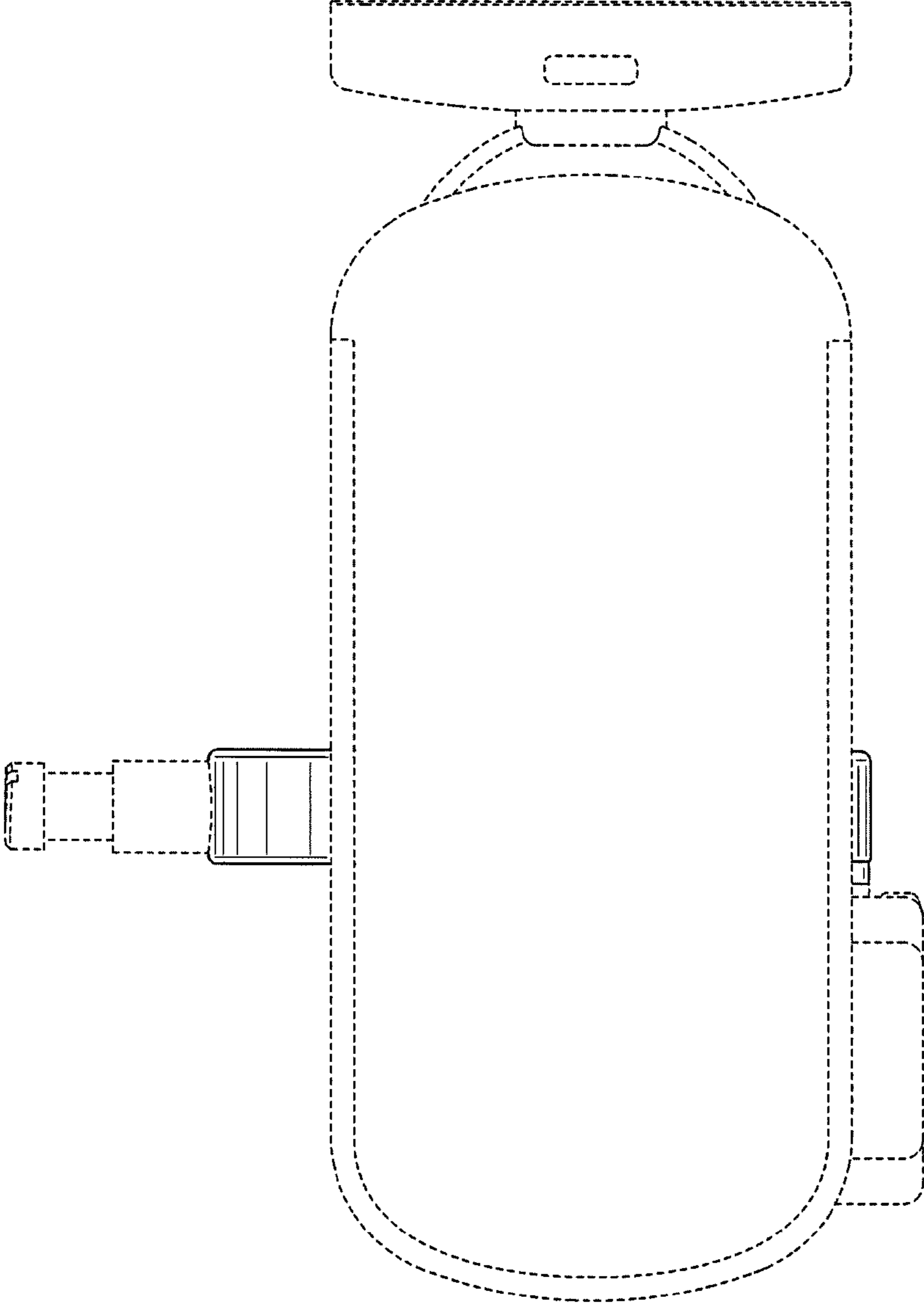


FIG. 9

