



US00D703717S

(12) **United States Design Patent**  
**Williams**

(10) **Patent No.:** **US D703,717 S**  
(45) **Date of Patent:** **\*\* Apr. 29, 2014**

(54) **FLUID DISCRIMINATION DEVICE**

FOREIGN PATENT DOCUMENTS

- (71) Applicant: **Berrys (Holdings) Technologies Limited**, Birmingham (GB)
- (72) Inventor: **Jacque Williams**, Birmingham (GB)
- (73) Assignee: **Berrys (Holdings) Technologies Limited**, Birmingham (GB)

DE	201 14 800	U1	2/2002
EP	0 598 341	A1	5/1994
EP	0 697 370	A1	2/1996
EP	1 050 753	A2	8/2000
EP	1 354 847	A1	10/2003
EP	2 088 422	A1	8/2009
GB	2 466 719	A	7/2010
JP	60-004844	A	1/1985

(Continued)

(\*\*) Term: **14 Years**

OTHER PUBLICATIONS

- (21) Appl. No.: **29/453,021**
- (22) Filed: **Apr. 24, 2013**
- (51) **LOC (10) Cl.** ..... **15-99**
- (52) **U.S. Cl.**  
USPC ..... **D15/199**
- (58) **Field of Classification Search**  
USPC ..... D15/143, 148, 150, 151, 152, 199;  
D24/158-160, 172, 186; 73/61.43,  
73/61.44, 61.61; 123/133, 381, 494;  
137/3, 9, 93; 141/1, 4, 59, 83, 94, 100,  
141/104; 222/52, 128, 133; 351/206;  
356/136; 600/398-400, 402  
See application file for complete search history.

International Search Report Corresponding to International Application No. PCT/GB2011/052014; Date of Mailing: Apr. 12, 2012; 6 Pages.

*Primary Examiner* — Patricia Palasik  
(74) *Attorney, Agent, or Firm* — Myers Bigel Sibley & Sajovec, P.A.

(57) **CLAIM**  
The ornamental design for a fluid discrimination device, as shown and described.

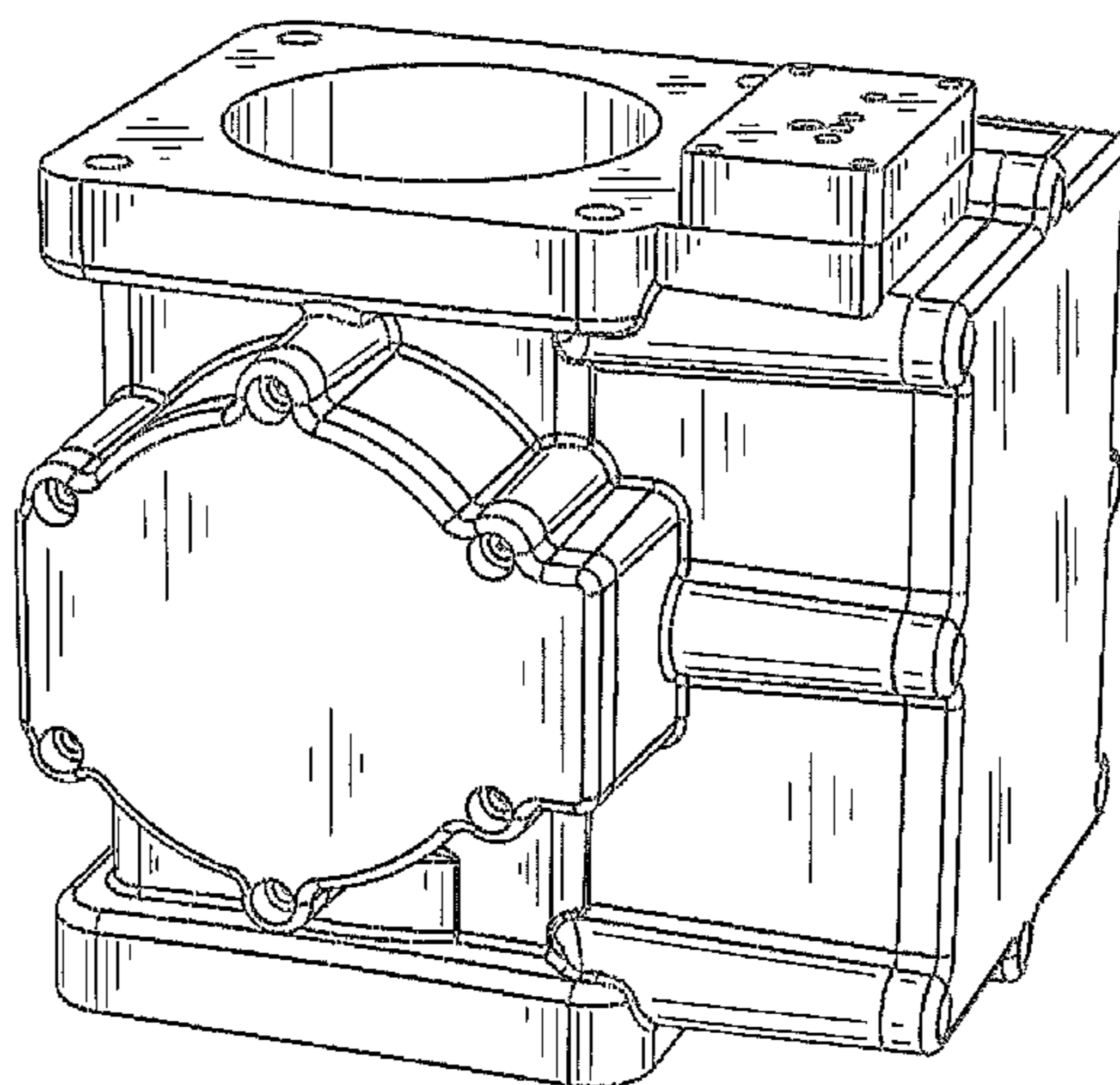
**DESCRIPTION**

FIG. 1 is a front perspective view of a fluid discrimination device showing my design; FIG. 2 is a front view thereof; FIG. 3 is a rear view thereof; FIG. 4 is a side view thereof; FIG. 5 is an opposing side view thereof; FIG. 6 is a top view thereof; FIG. 7 is a bottom view thereof; and, FIG. 8 is an exemplary environmental view illustrating the discrimination device used at a refueling station to inhibit mis-fueling of a vehicle from an improper fuel in a storage tank.  
The broken lines shown herein are for illustrative purposes only and form no part of the claimed design.

(56) **References Cited**  
U.S. PATENT DOCUMENTS

3,628,867	A	12/1971	Brady	
4,438,749	A	3/1984	Schwippert	
5,157,453	A	10/1992	Suzuki et al.	
5,172,738	A	12/1992	Komukai et al.	
5,452,076	A	9/1995	Schopper et al.	
D368,919	S *	4/1996	Lannoch	D15/148
6,199,603	B1	3/2001	DiGianfilippo et al.	
6,374,845	B1	4/2002	Melendez et al.	
D673,595	S *	1/2013	Cho et al.	D15/148
D676,884	S *	2/2013	Zhang et al.	D15/148
D690,339	S *	9/2013	Sigmund	D15/148
2001/0017349	A1*	8/2001	Holzapfel et al.	250/231.13
2003/0209280	A1	11/2003	Zerangue, Sr.	

**1 Claim, 8 Drawing Sheets**



(56)

**References Cited**

FOREIGN PATENT DOCUMENTS

JP 1-145550 A 6/1989  
JP 7-242144 A 9/1995

JP 08-002595 A 1/1996  
JP 2008-107098 A 5/2008  
WO WO 2007/003860 A2 1/2007  
WO WO 2012/052752 A3 4/2012

\* cited by examiner

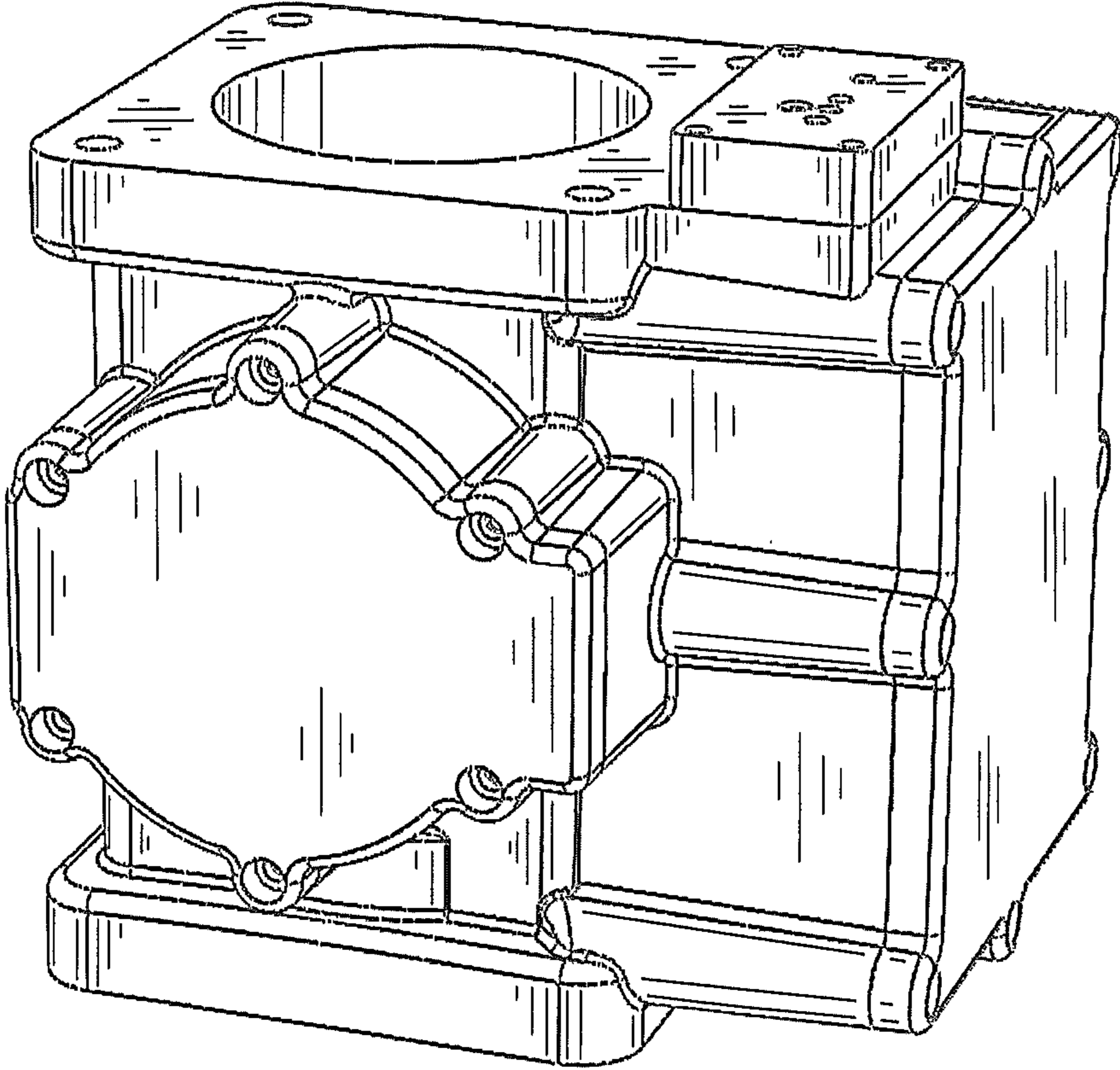


FIG. 1

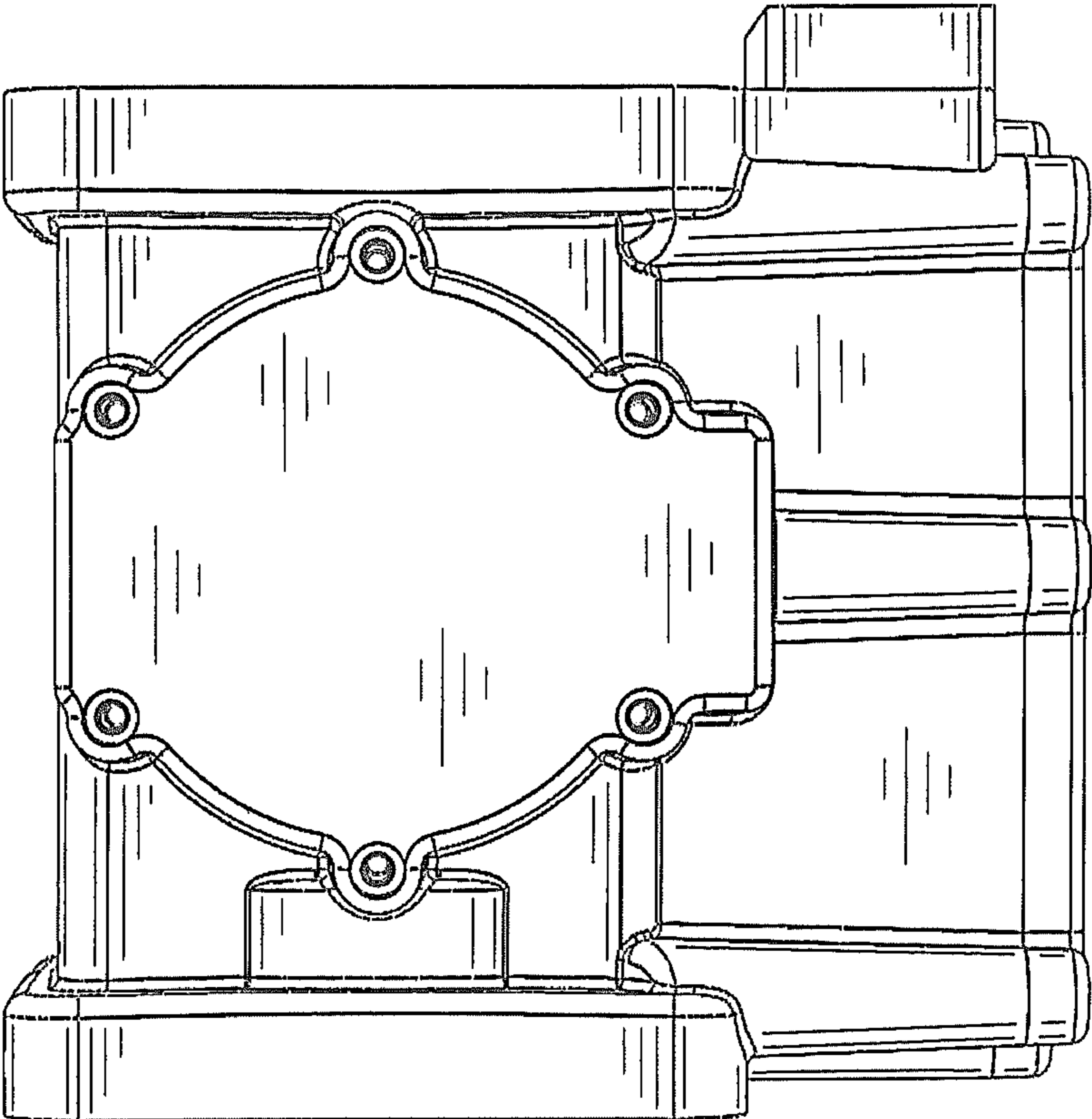


FIG. 2

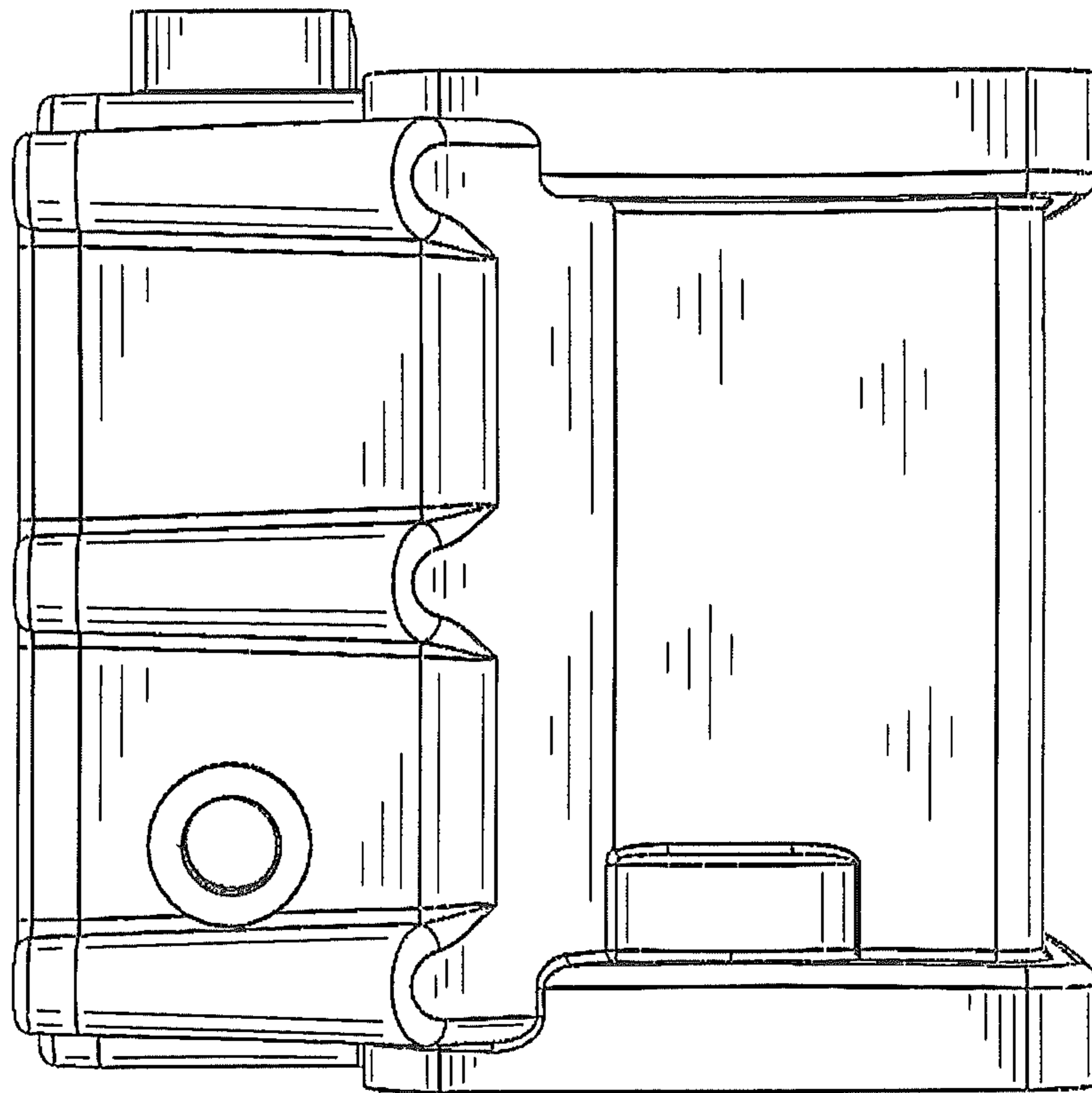


FIG. 3

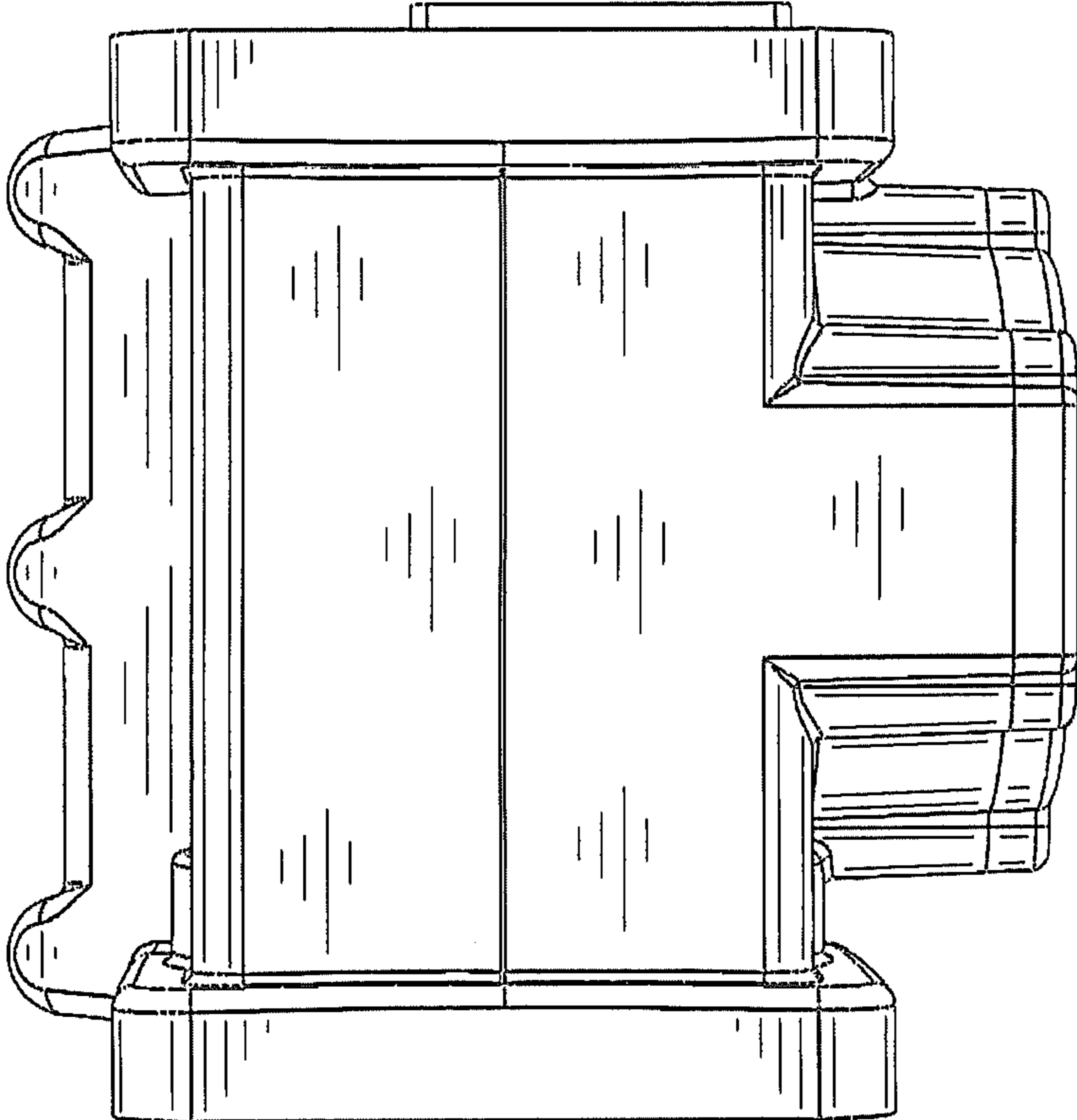


FIG. 4

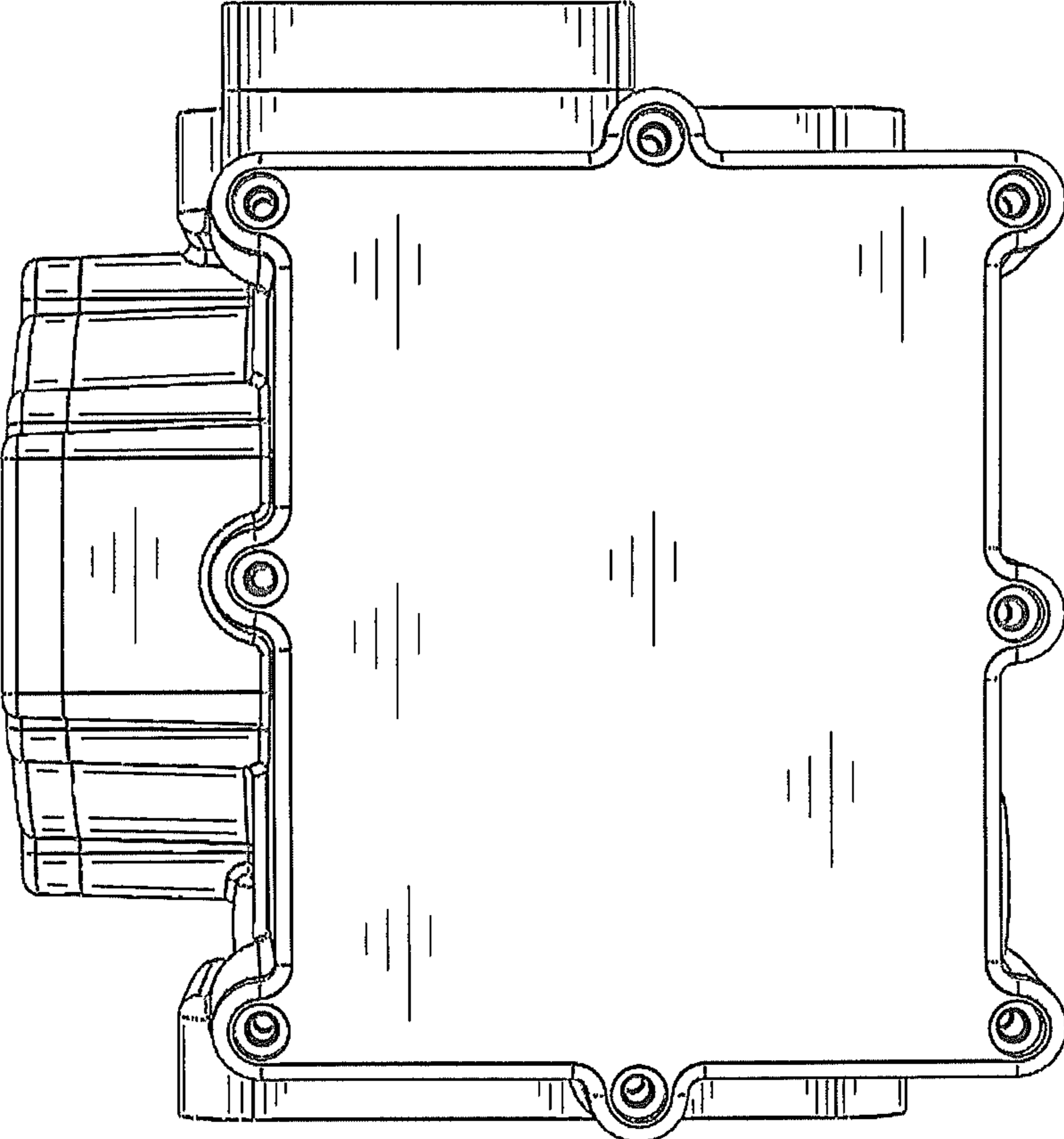


FIG. 5

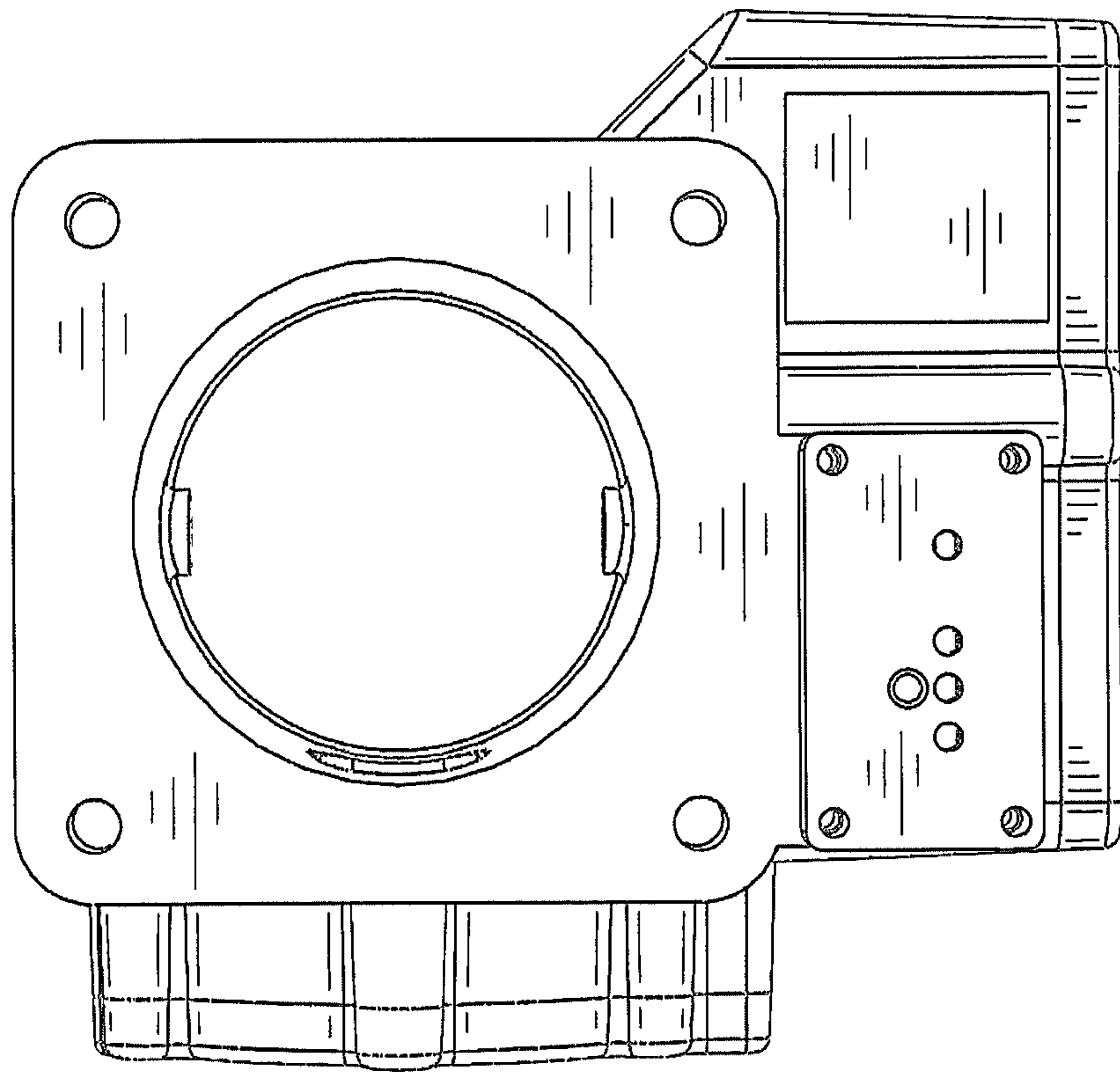


FIG. 6



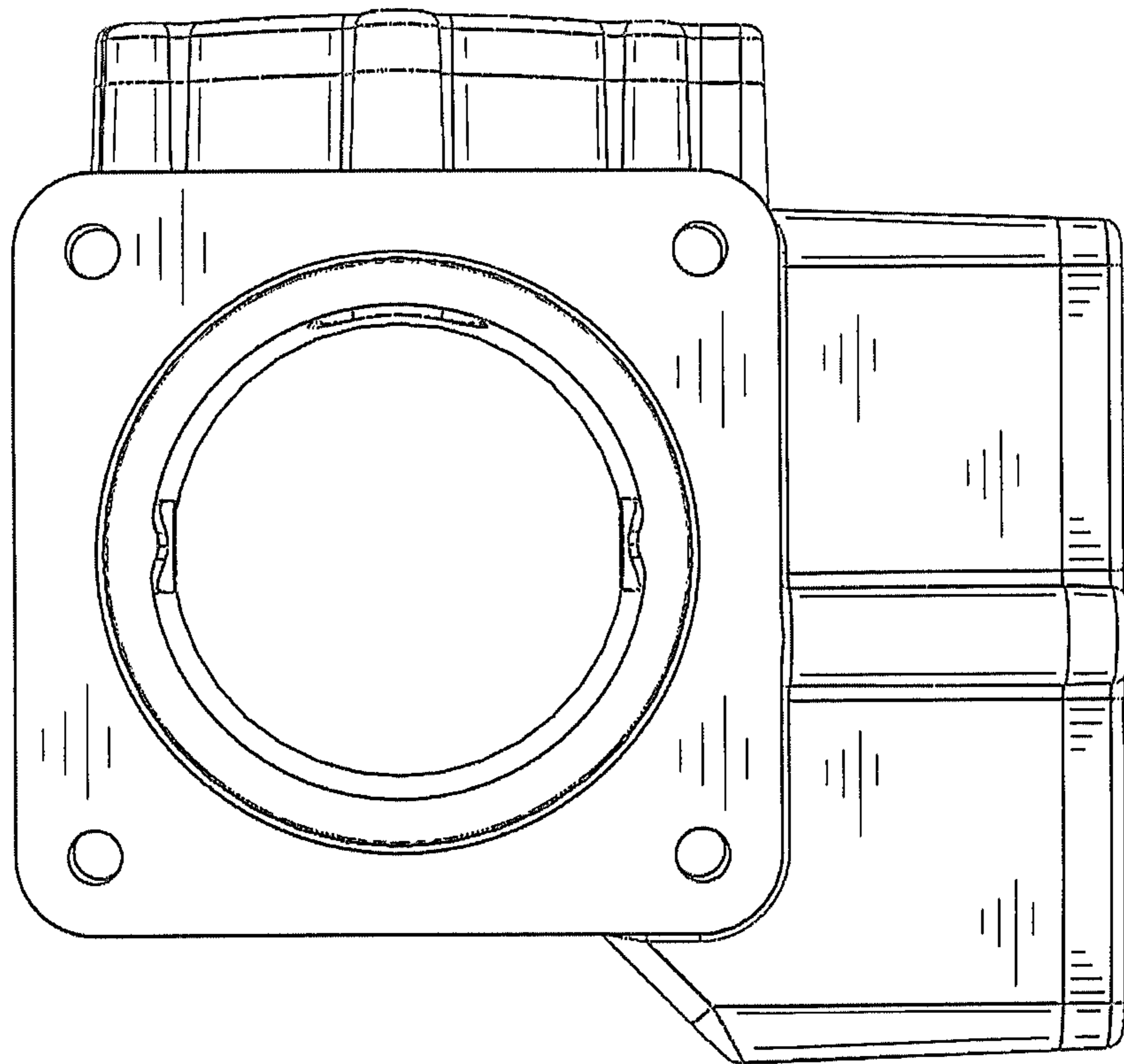


FIG. 7

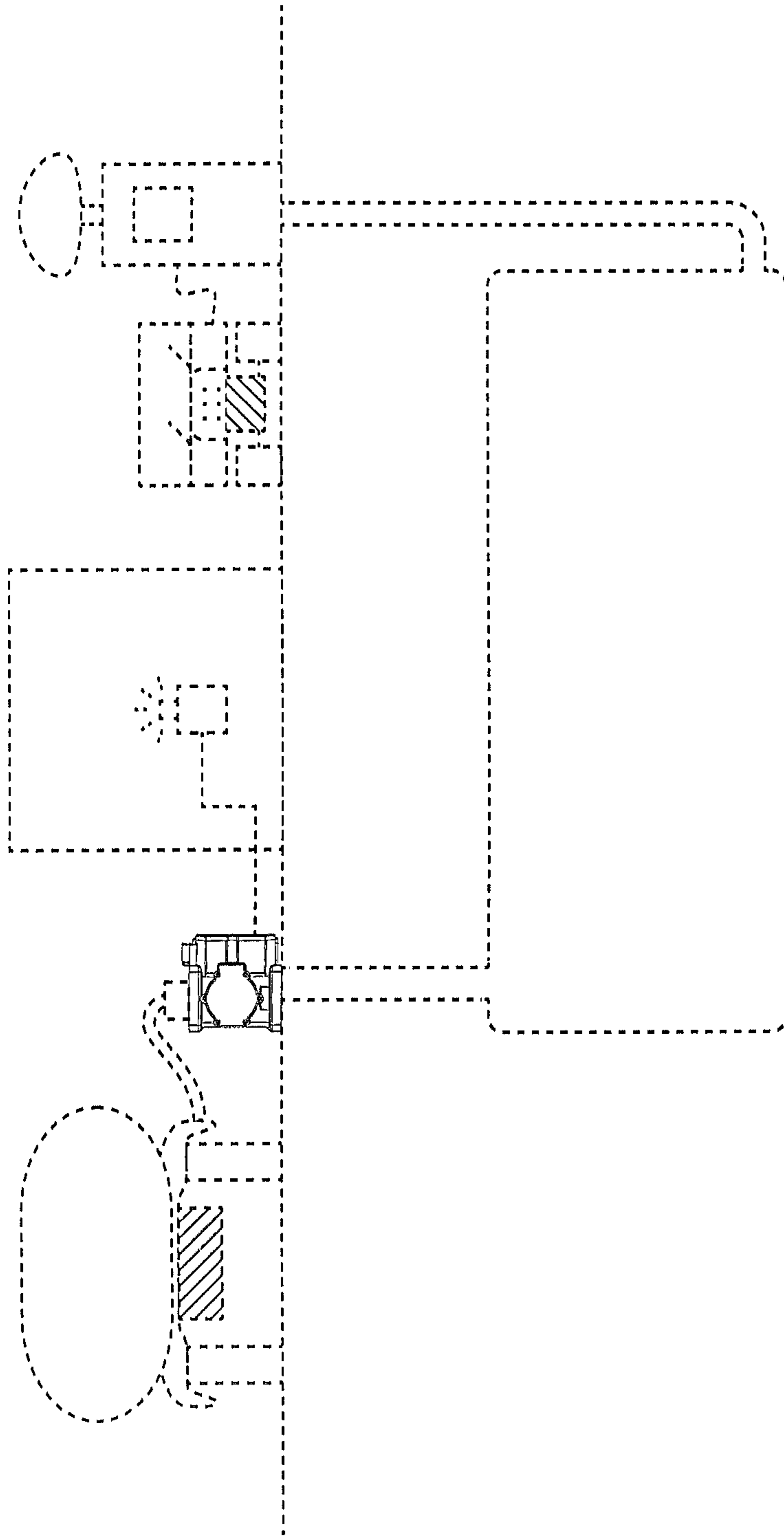


FIG. 8