



US00D703715S

(12) **United States Design Patent**
Kita

(10) **Patent No.:** **US D703,715 S**

(45) **Date of Patent:** **** Apr. 29, 2014**

(54) **CONTROLLER FOR SOLDERING IRON**

(71) Applicant: **Hakko Corporation**, Osaka (JP)

(72) Inventor: **Toshiyuki Kita**, Osaka (JP)

(73) Assignee: **Hakko Corporation**, Osaka (JP)

(**) Term: **14 Years**

(21) Appl. No.: **29/470,540**

(22) Filed: **Oct. 22, 2013**

(51) **LOC (10) Cl.** **15-09**

(52) **U.S. Cl.**
USPC **D15/144**

(58) **Field of Classification Search**
USPC D8/29.1, 30; D13/123, 133; D15/144,
D15/144.1, 144.2; 219/240, 616; 228/8, 20,
228/51, 111.5
See application file for complete search history.

(56) **References Cited**

U.S. PATENT DOCUMENTS

D137,465 S *	3/1944	Nielsen	D15/144
D415,435 S *	10/1999	Yoshimura	D10/50
D489,741 S *	5/2004	Calco et al.	D15/144
D527,402 S *	8/2006	Loch et al.	D15/144.2
D530,349 S *	10/2006	Ishihara et al.	D15/144.2
D569,883 S *	5/2008	Wang	D15/144
D569,884 S *	5/2008	Shu	D15/144
D585,469 S *	1/2009	Mochizuki	D15/144
D620,328 S *	7/2010	Masaki	D8/30

D623,206 S *	9/2010	Mittmann et al.	D15/144
D678,373 S *	3/2013	Kita	D15/144.2
2010/0308102 A1 *	12/2010	Mochizuki	228/8

* cited by examiner

Primary Examiner — Patricia Palasik

(74) *Attorney, Agent, or Firm* — Squire Sanders (US) LLP

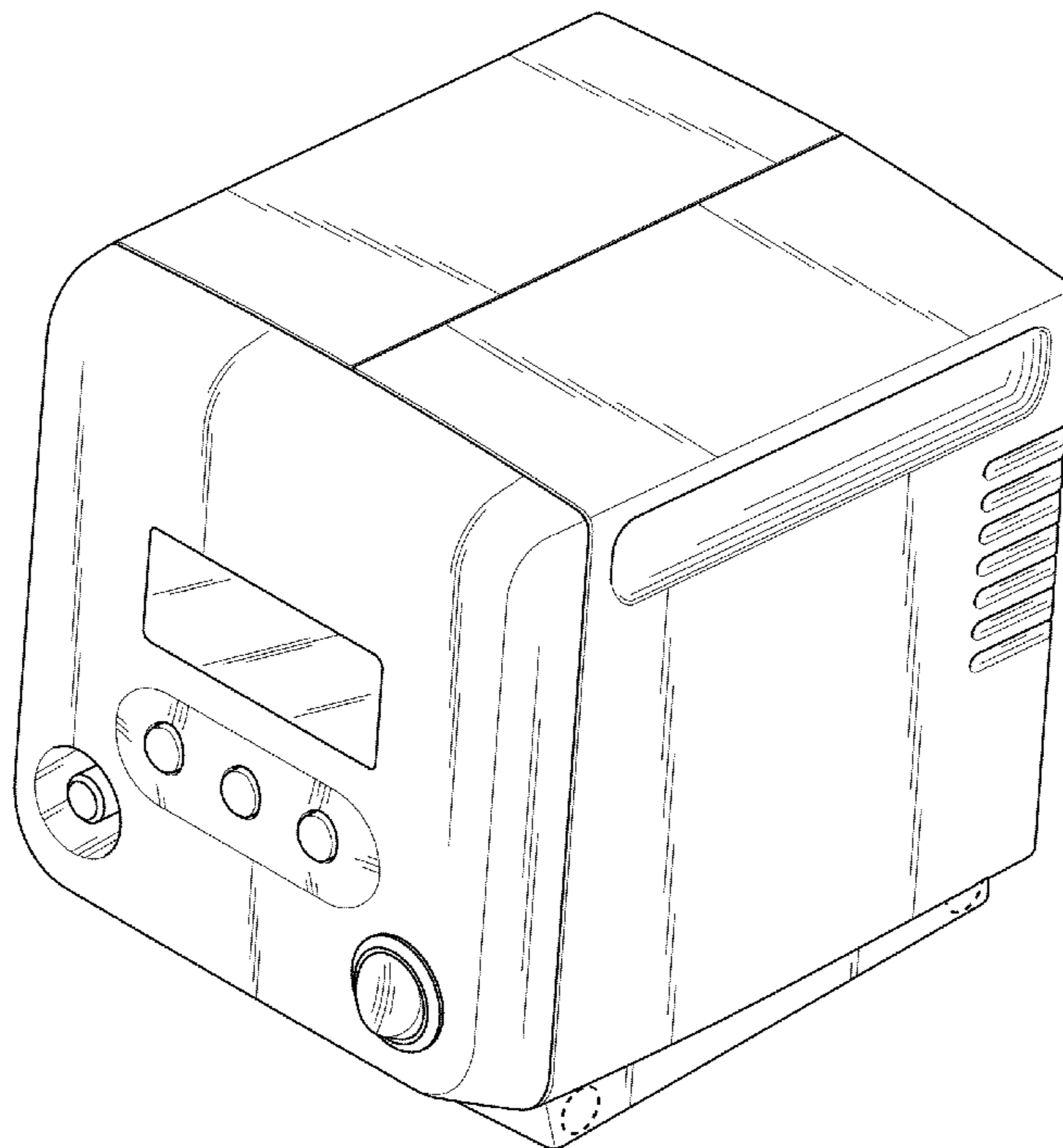
(57) **CLAIM**

The ornamental design for a controller for soldering iron, as shown and described.

DESCRIPTION

FIG. 1 is a first perspective view of a controller for soldering iron;
 FIG. 2 is a second perspective view thereof;
 FIG. 3 is a front view thereof;
 FIG. 4 is a rear view thereof;
 FIG. 5 is a left side view thereof;
 FIG. 6 is a right side view thereof;
 FIG. 7 is a top plan view thereof;
 FIG. 8 is a bottom plan view thereof;
 FIG. 9 is a cross-sectional view taken along line 9-9 in FIG. 4 thereof, in which the internal mechanism is omitted;
 FIG. 10 is a cross-sectional view taken along line 10-10 in FIG. 5 thereof, in which the internal mechanism is omitted;
 and,
 FIG. 11 is a cross-sectional view taken along line 11-11 in FIG. 5 thereof, in which the internal mechanism is omitted.
 The broken lines in the drawings depict unclaimed environmental subject matter.

1 Claim, 11 Drawing Sheets



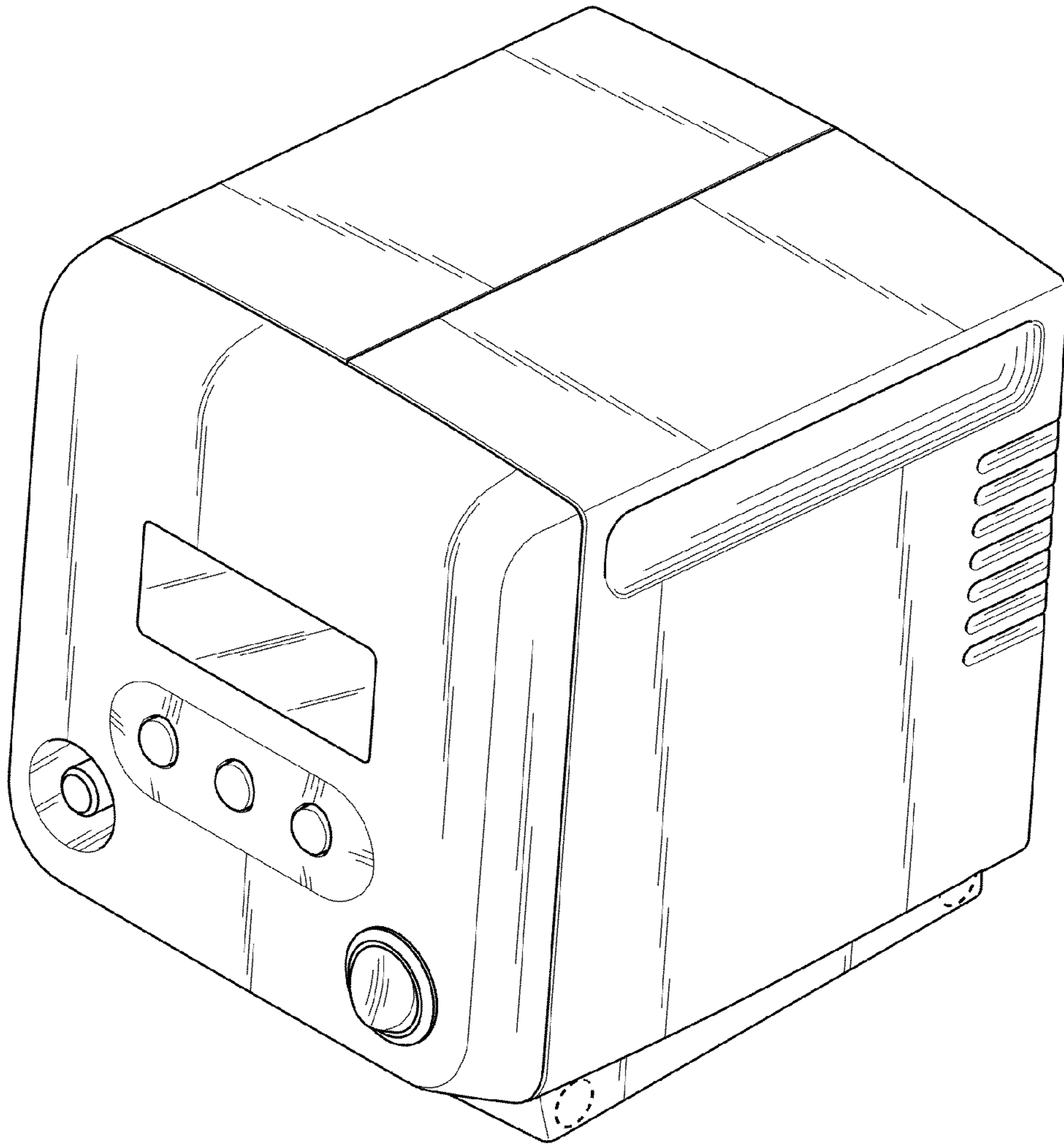


FIG. 1

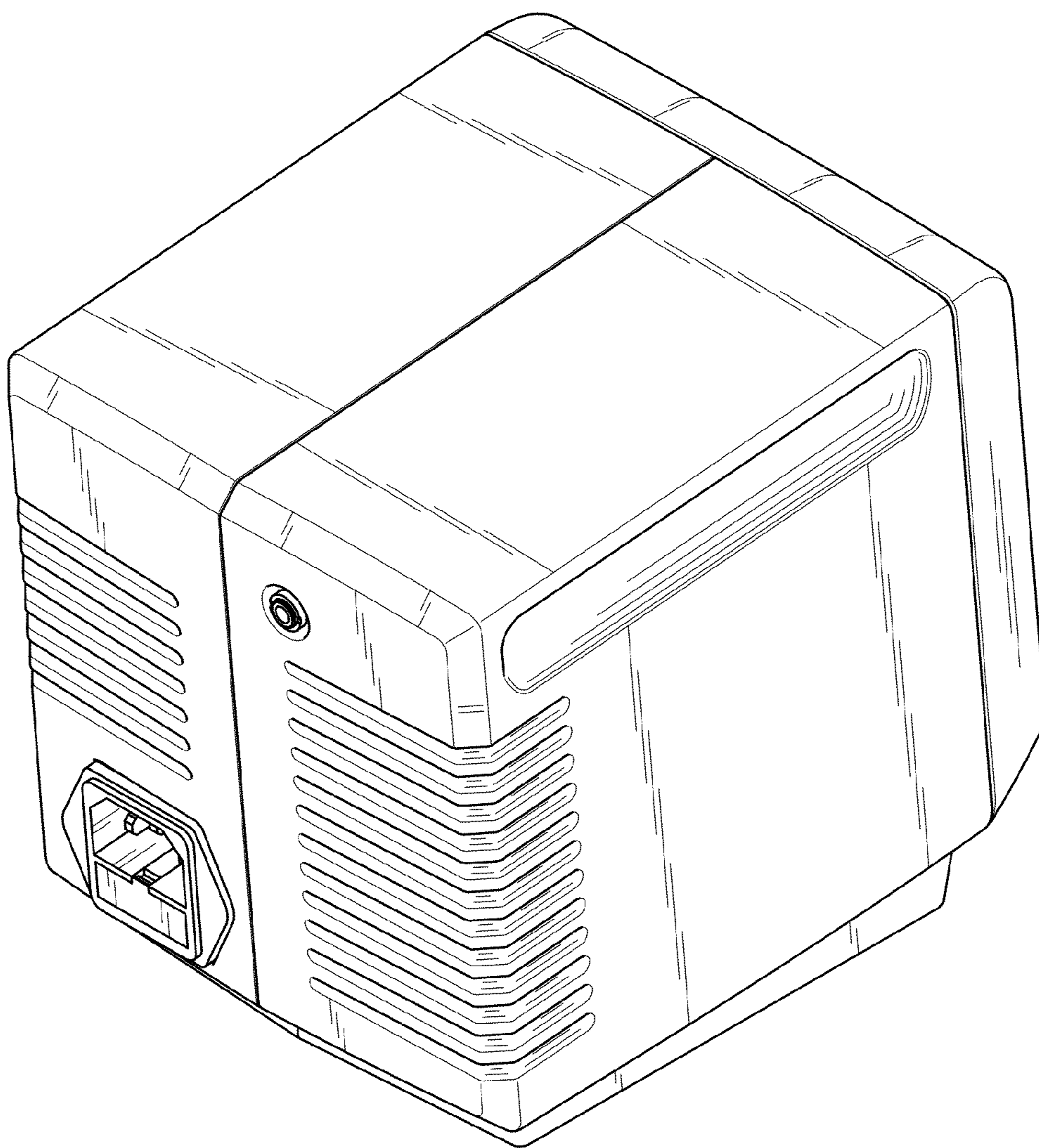


FIG.2

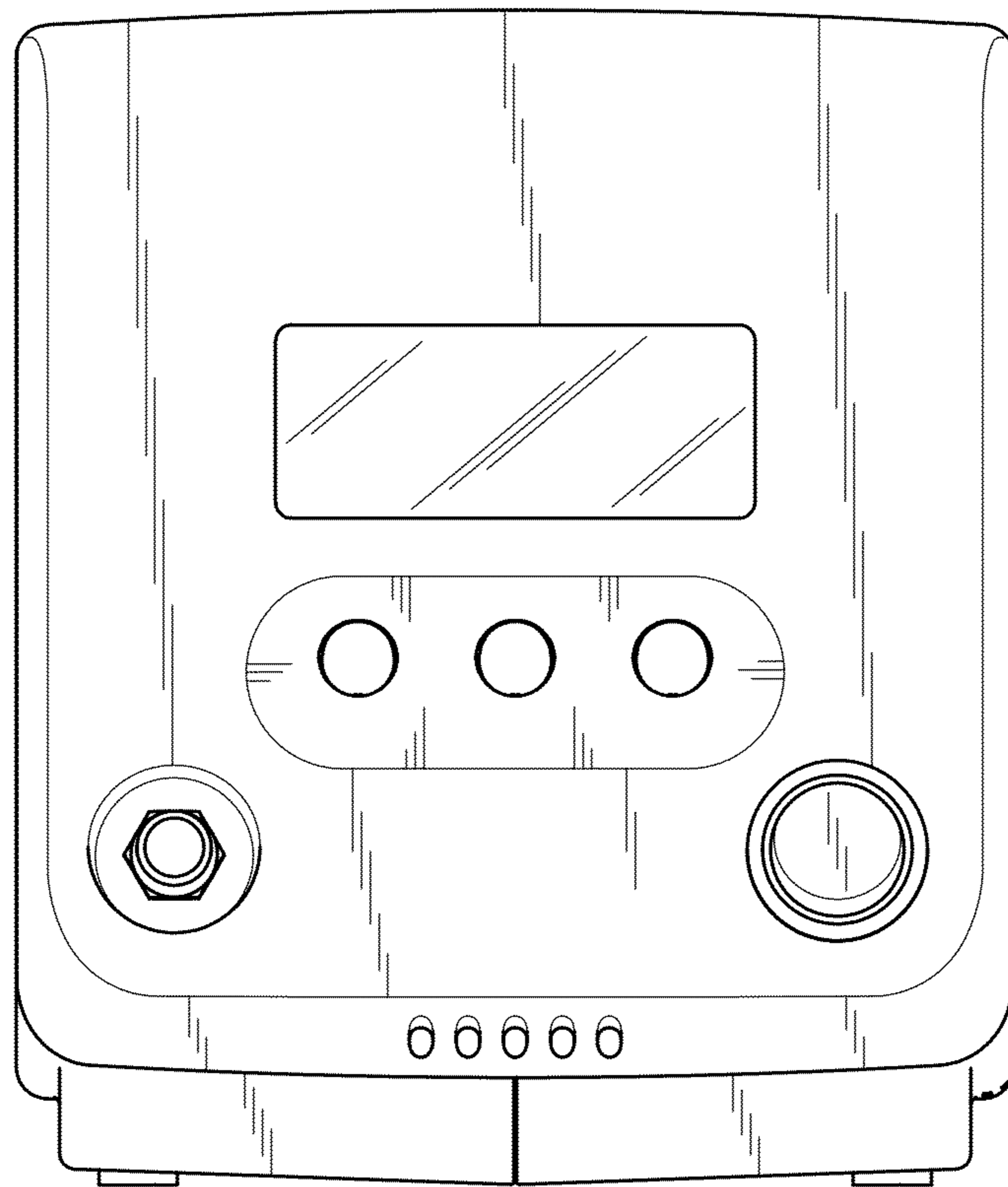


FIG.3

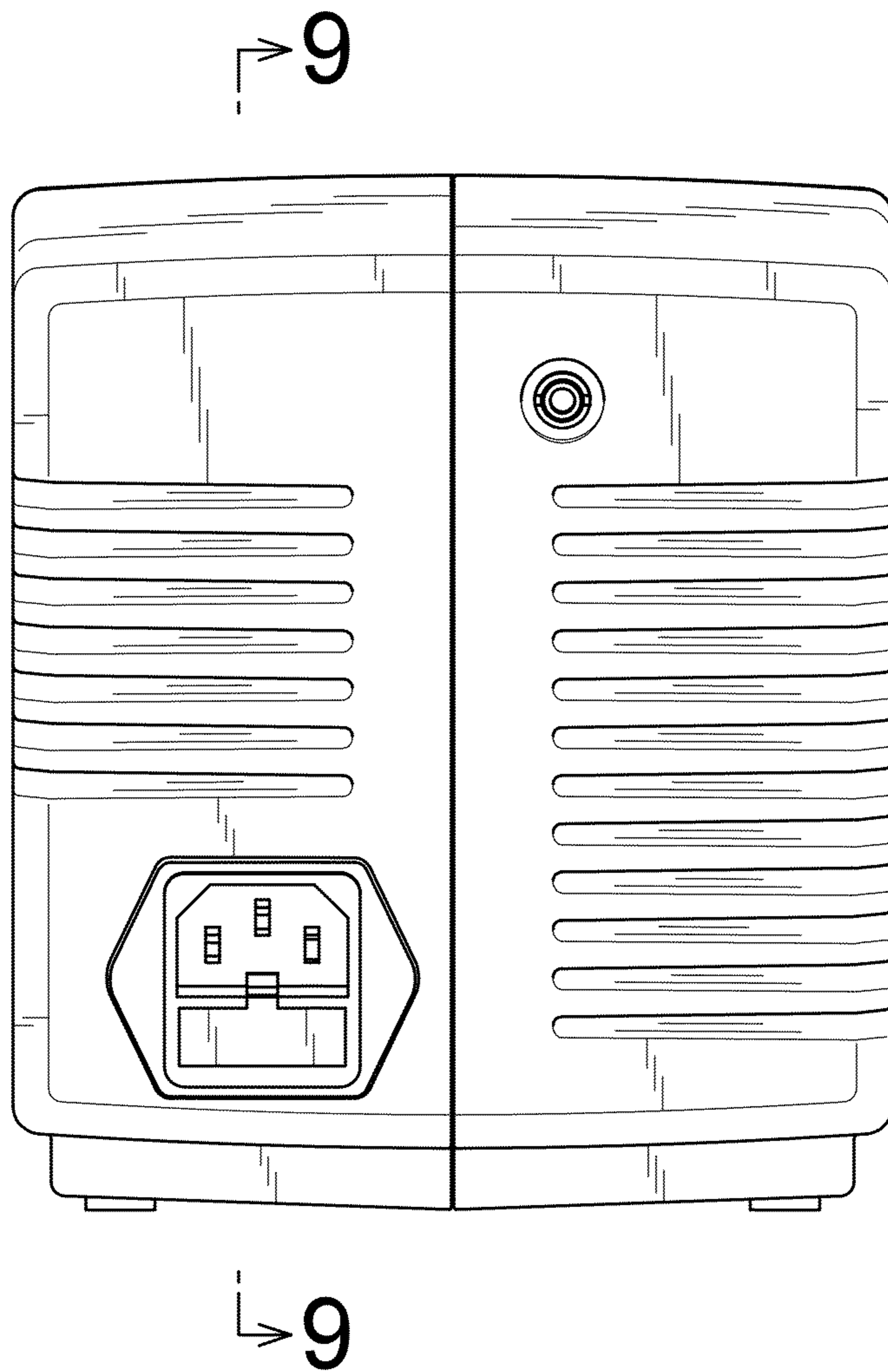


FIG.4

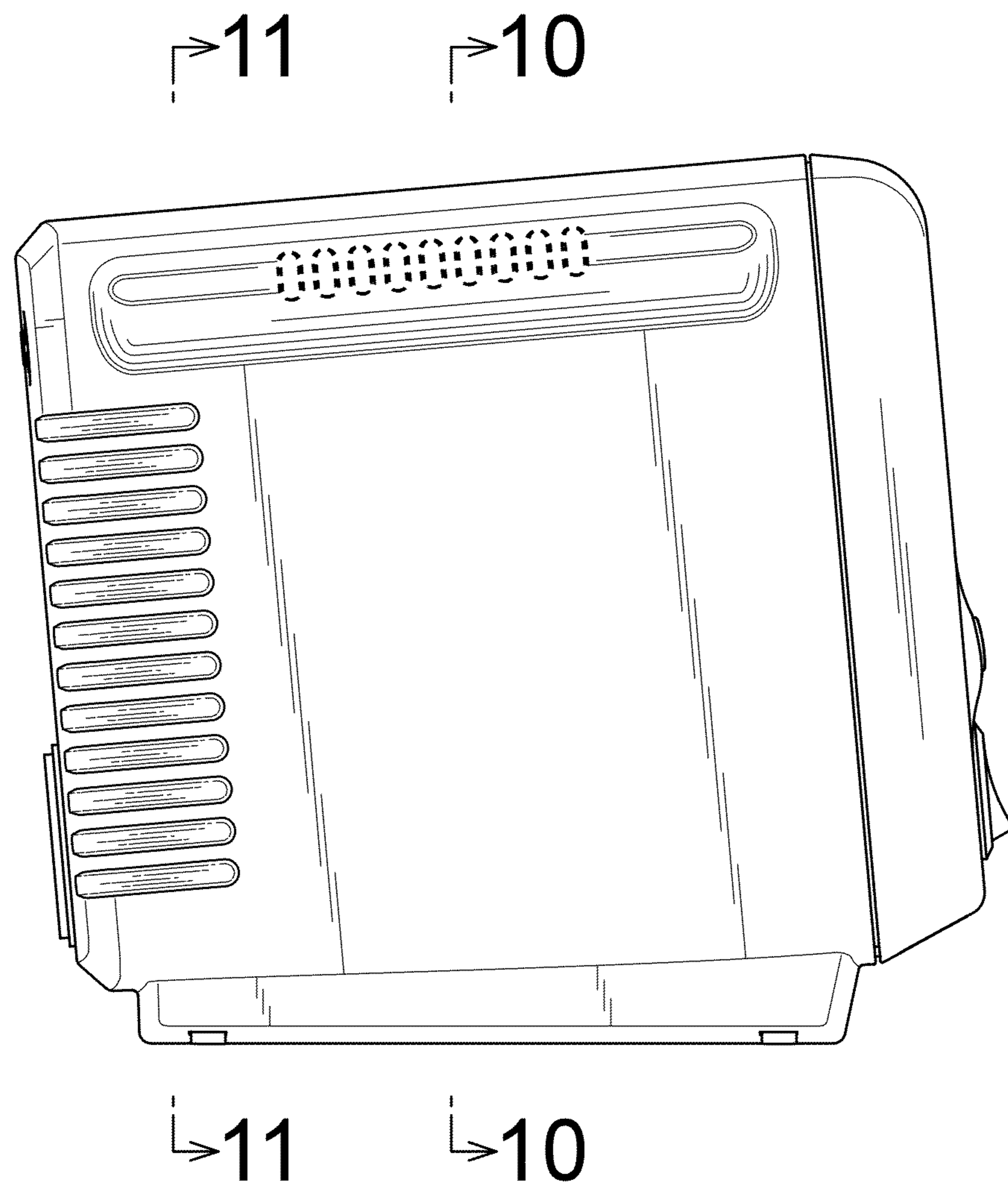


FIG.5

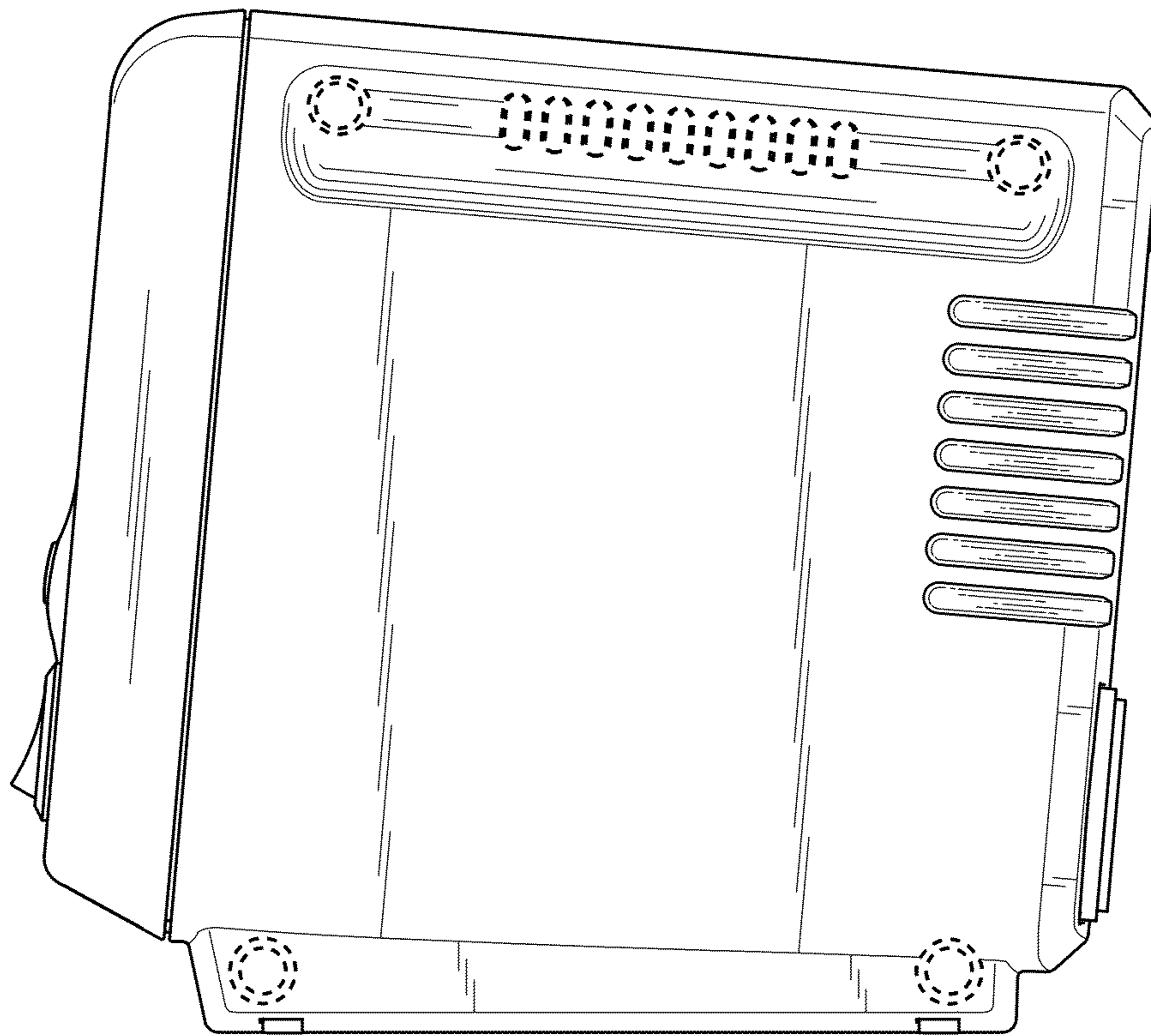


FIG.6

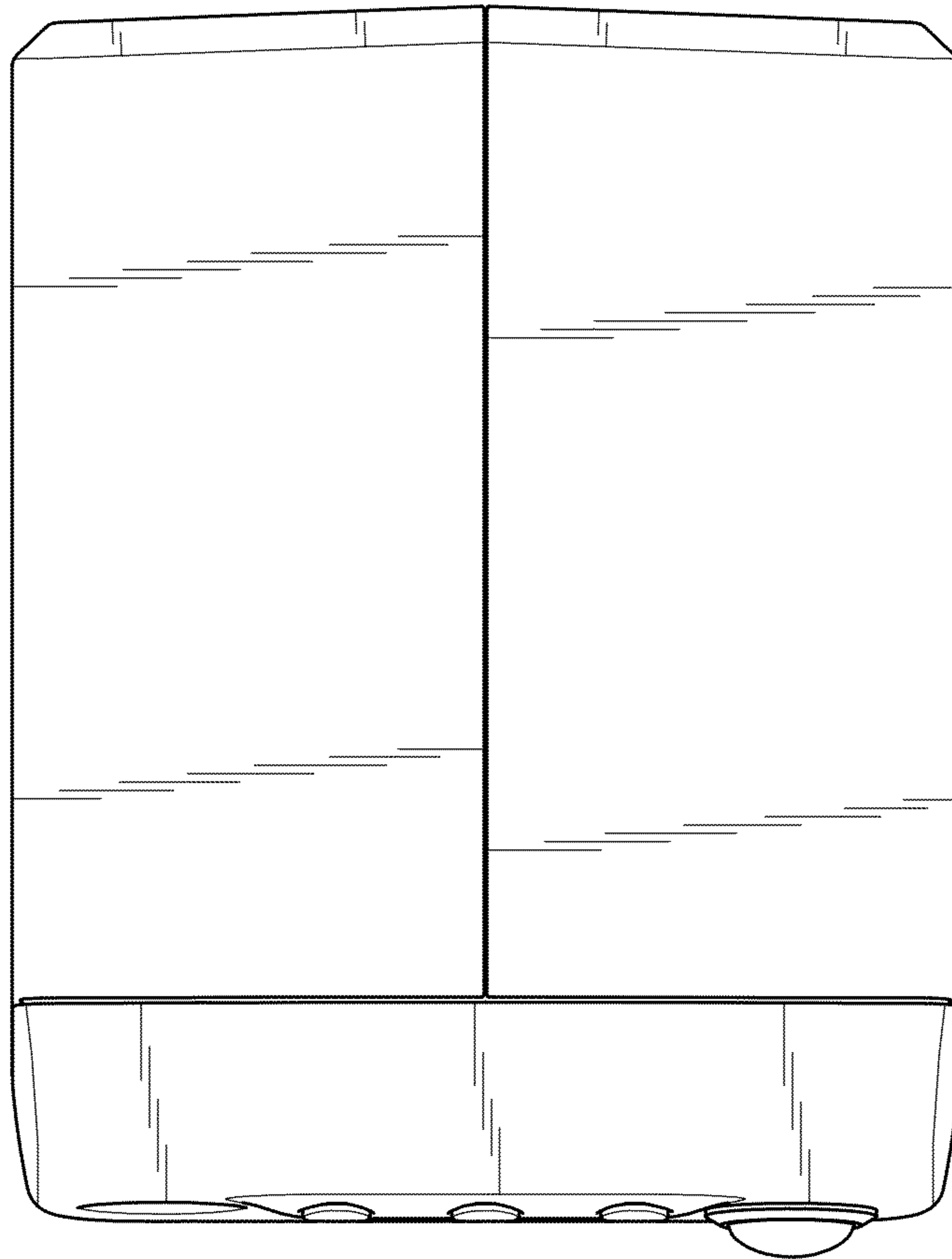


FIG.7

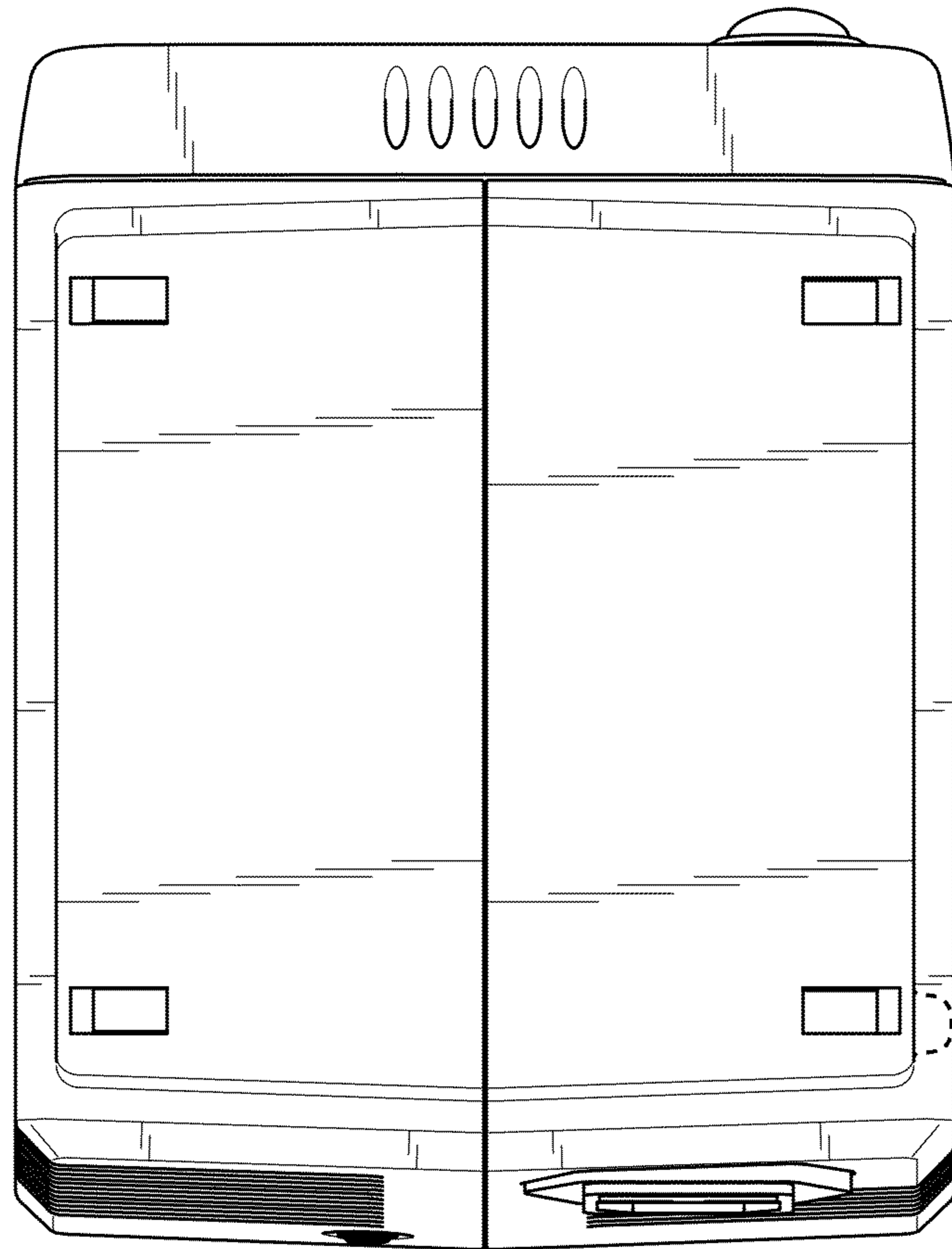


FIG. 8

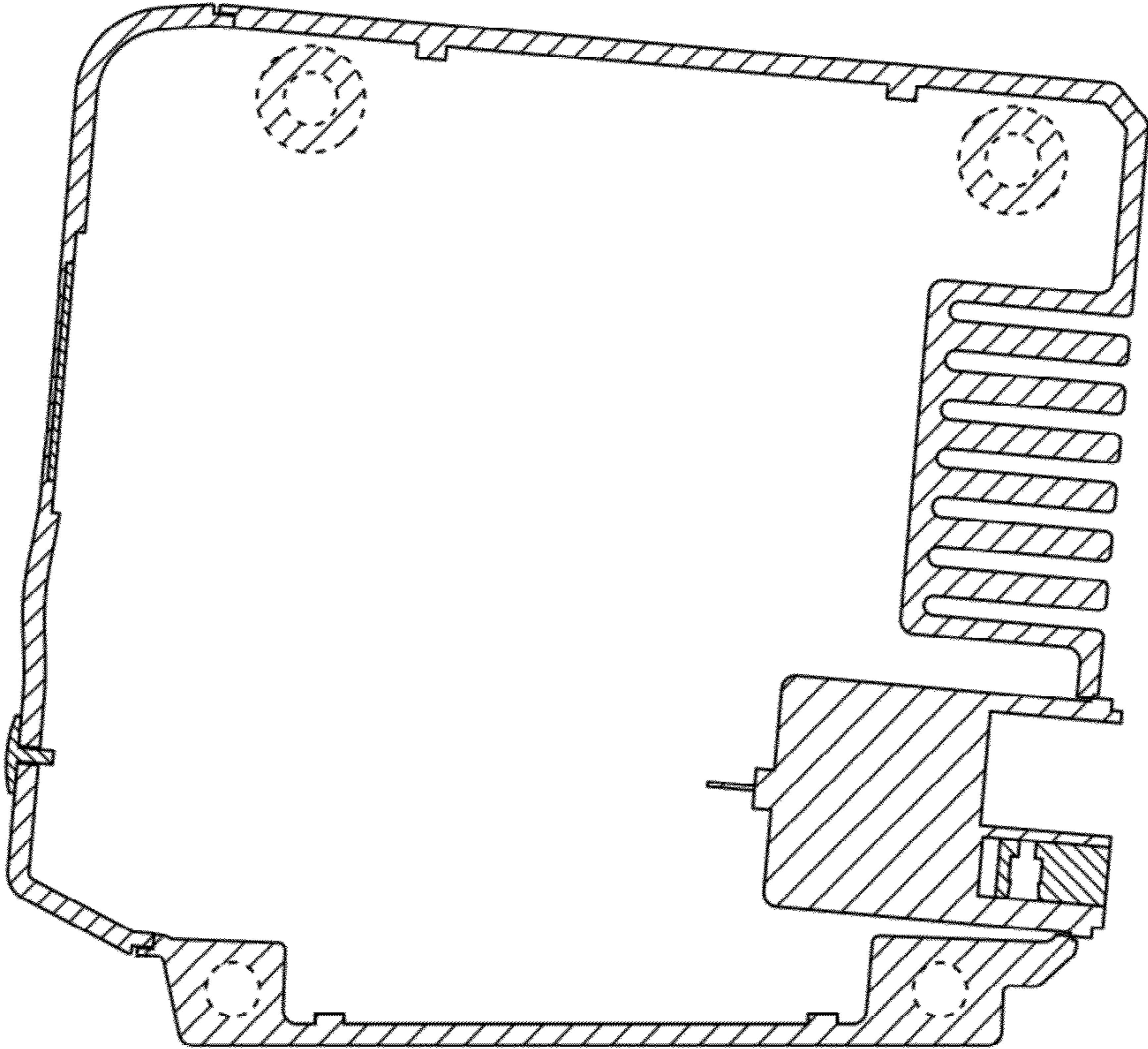


FIG.9

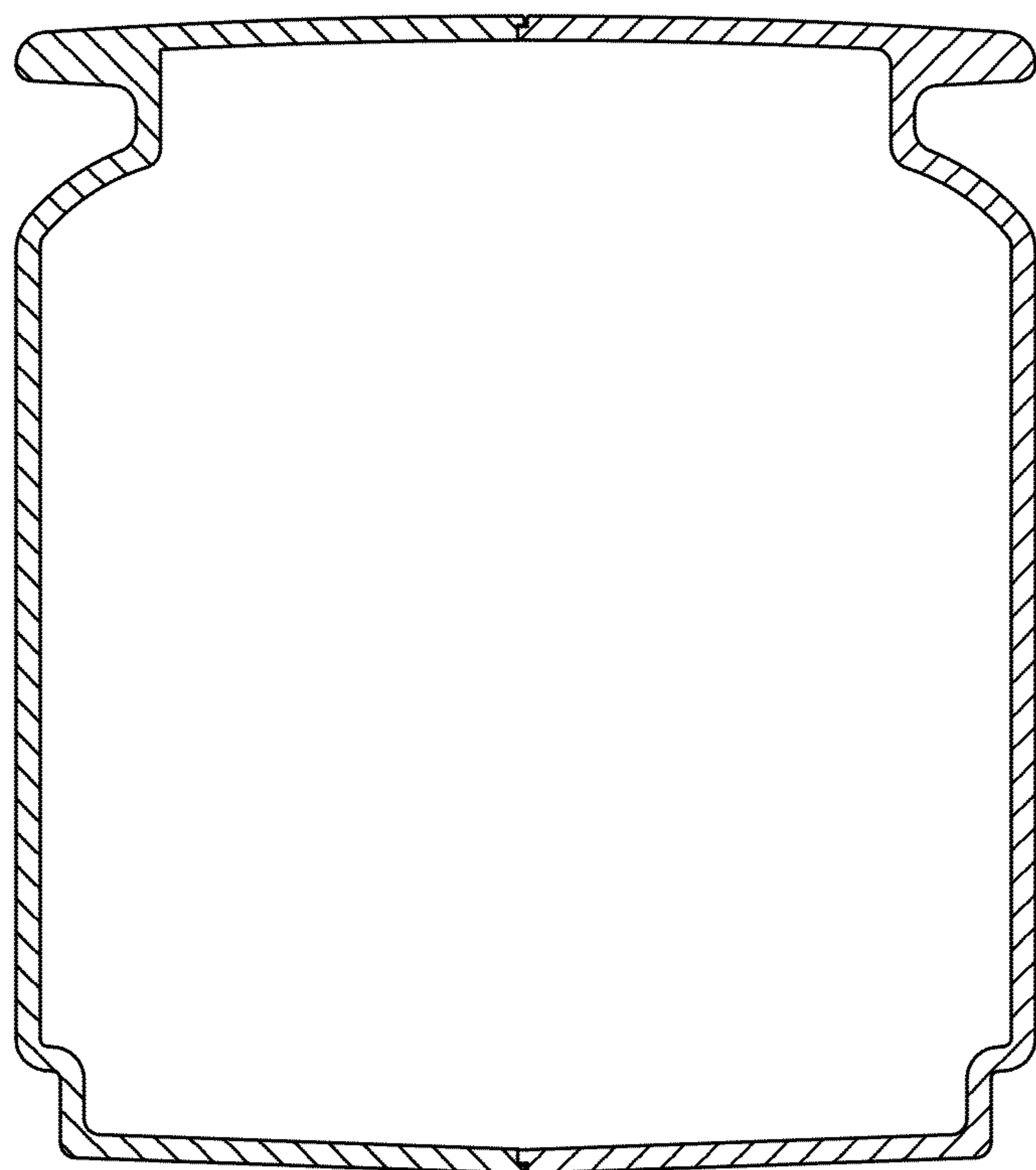


FIG. 10

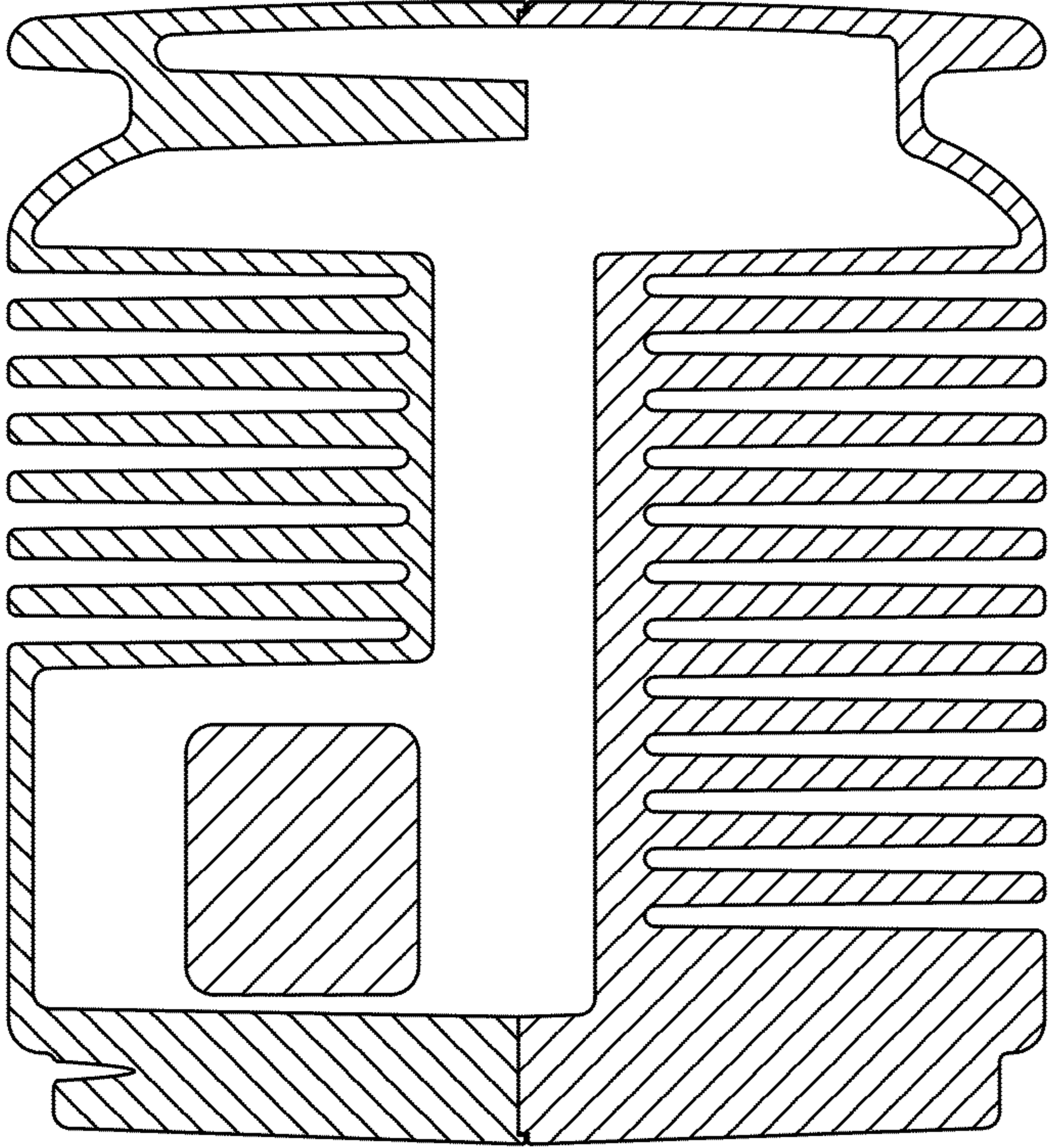


FIG. 11