



US00D703714S

(12) **United States Design Patent**  
**Kim et al.**

(10) **Patent No.:** **US D703,714 S**

(45) **Date of Patent:** **\*\* Apr. 29, 2014**

(54) **BORING MACHINE**

(71) Applicant: **Robotis Co., Ltd.**, Seoul (KR)

(72) Inventors: **Byoungsoo Kim**, Seoul (KR); **Jungho Lee**, Gyeonggido (KR)

(73) Assignee: **Robotis Co., Ltd.**, Seoul (KR)

(\*\*) Term: **14 Years**

(21) Appl. No.: **29/465,562**

(22) Filed: **Aug. 29, 2013**

(51) **LOC (10) Cl.** ..... **15-09**

(52) **U.S. Cl.**  
USPC ..... **D15/143**

(58) **Field of Classification Search**  
USPC ..... D13/118, 158, 162, 184; D15/1-5, 7, 9,  
D15/143, 148, 149, 199; 74/90.15, 411.5,  
74/411.54, 490.09; 91/394, 395, 407, 408;  
92/28, 88, 128, 137, 143, 168, 169,  
92/177; 297/14, 325, 327; 310/10, 12, 15,  
310/20, 20.8, 80, 300  
See application file for complete search history.

(56) **References Cited**

**U.S. PATENT DOCUMENTS**

D378,214 S *	2/1997	Ikumi	.....	D15/143
D399,491 S *	10/1998	Nagai et al.	.....	D13/158
D399,830 S *	10/1998	Nagai et al.	.....	D13/158
D407,409 S *	3/1999	Masuda et al.	.....	D15/199
D413,129 S *	8/1999	Nagai et al.	.....	D15/199
D456,826 S *	5/2002	Nagai et al.	.....	D15/143

D587,733 S *	3/2009	Niedermeyer	.....	D15/143
D596,653 S *	7/2009	Fukano et al.	.....	D15/143
D611,514 S *	3/2010	Fukano et al.	.....	D15/143
D624,099 S *	9/2010	Fukano et al.	.....	D15/143
D624,100 S *	9/2010	Fukano et al.	.....	D15/143
D624,572 S *	9/2010	Fukano et al.	.....	D15/143
D656,169 S *	3/2012	Fukano et al.	.....	D15/143
D686,257 S *	7/2013	Wu	.....	D15/143
2002/0047322 A1 *	4/2002	Sato et al.	.....	310/12
2005/0011291 A1 *	1/2005	Nagai et al.	.....	74/89.32
2008/0048514 A1 *	2/2008	Hoffmann et al.	.....	310/78

\* cited by examiner

*Primary Examiner* — Patricia Palasik

(74) *Attorney, Agent, or Firm* — Blank Rome LLP

(57) **CLAIM**

The ornamental design for a boring machine, as shown and described.

**DESCRIPTION**

FIG. 1 is a perspective view of an actuator of the present design;

FIG. 2 is a front view of the actuator of FIG. 1;

FIG. 3 is a rear view of the actuator of FIG. 1;

FIG. 4 is a first side view of the actuator of FIG. 1;

FIG. 5 is a second side view of the actuator of FIG. 1;

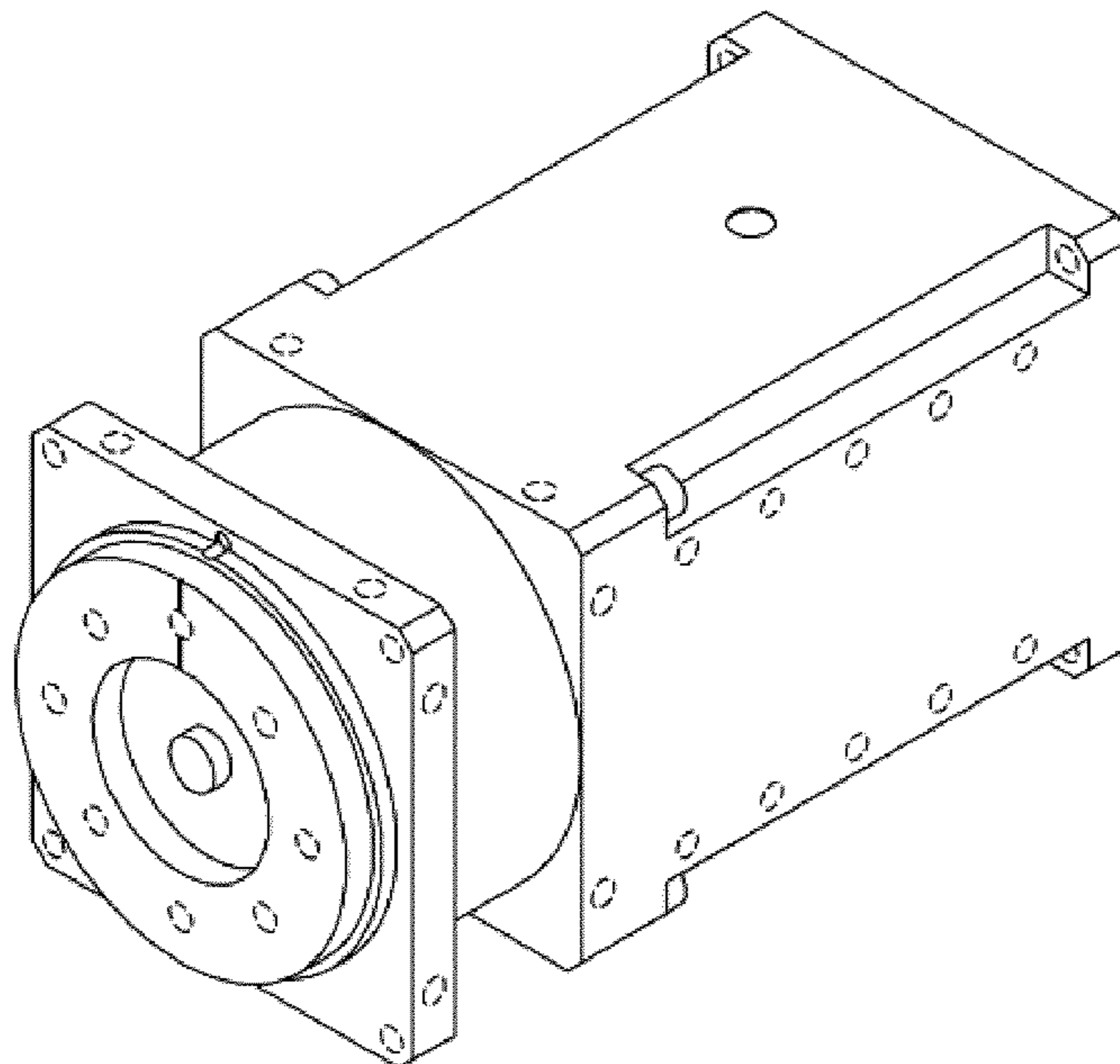
FIG. 6 is a top view of the actuator of FIG. 1; and,

FIG. 7 is a bottom view of the actuator of FIG. 1.

The dashed lines shown in the figures are for illustration only and do not form part of the claimed design.

The actuator can be used as a joint or connector on industrial and/or service robots, and/or on general mechanical devices.

**1 Claim, 7 Drawing Sheets**



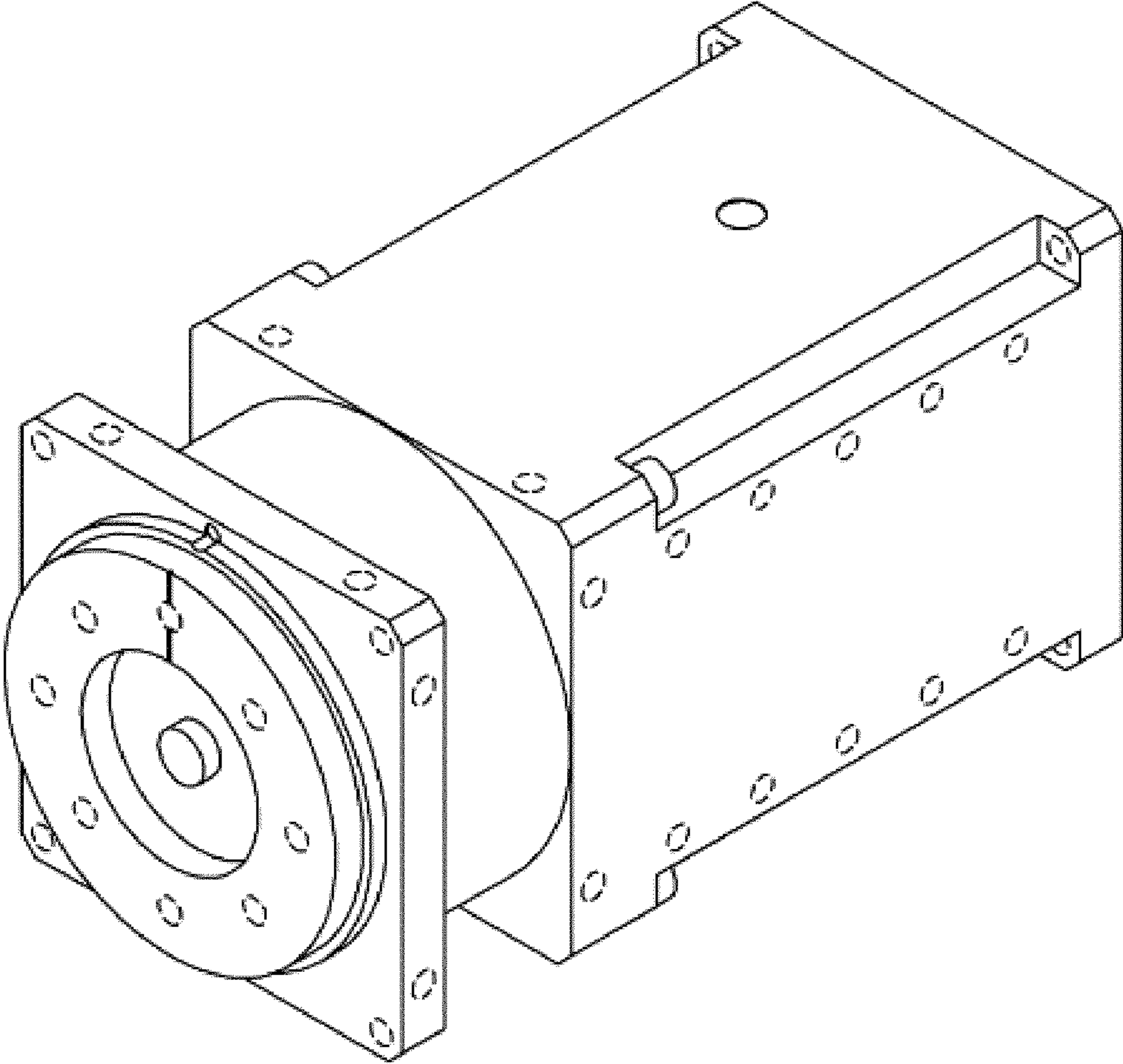


FIG. 1

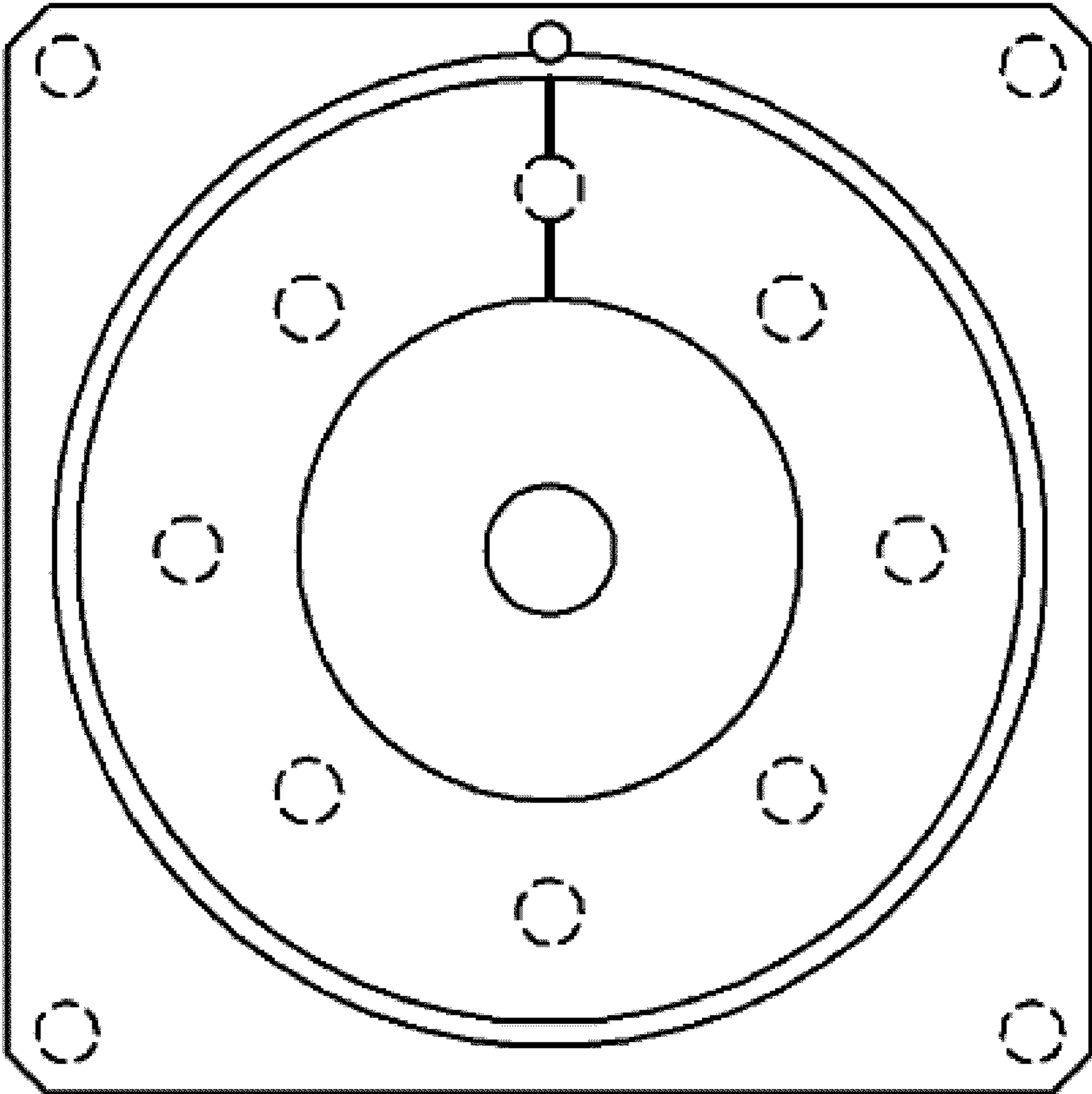


FIG. 2

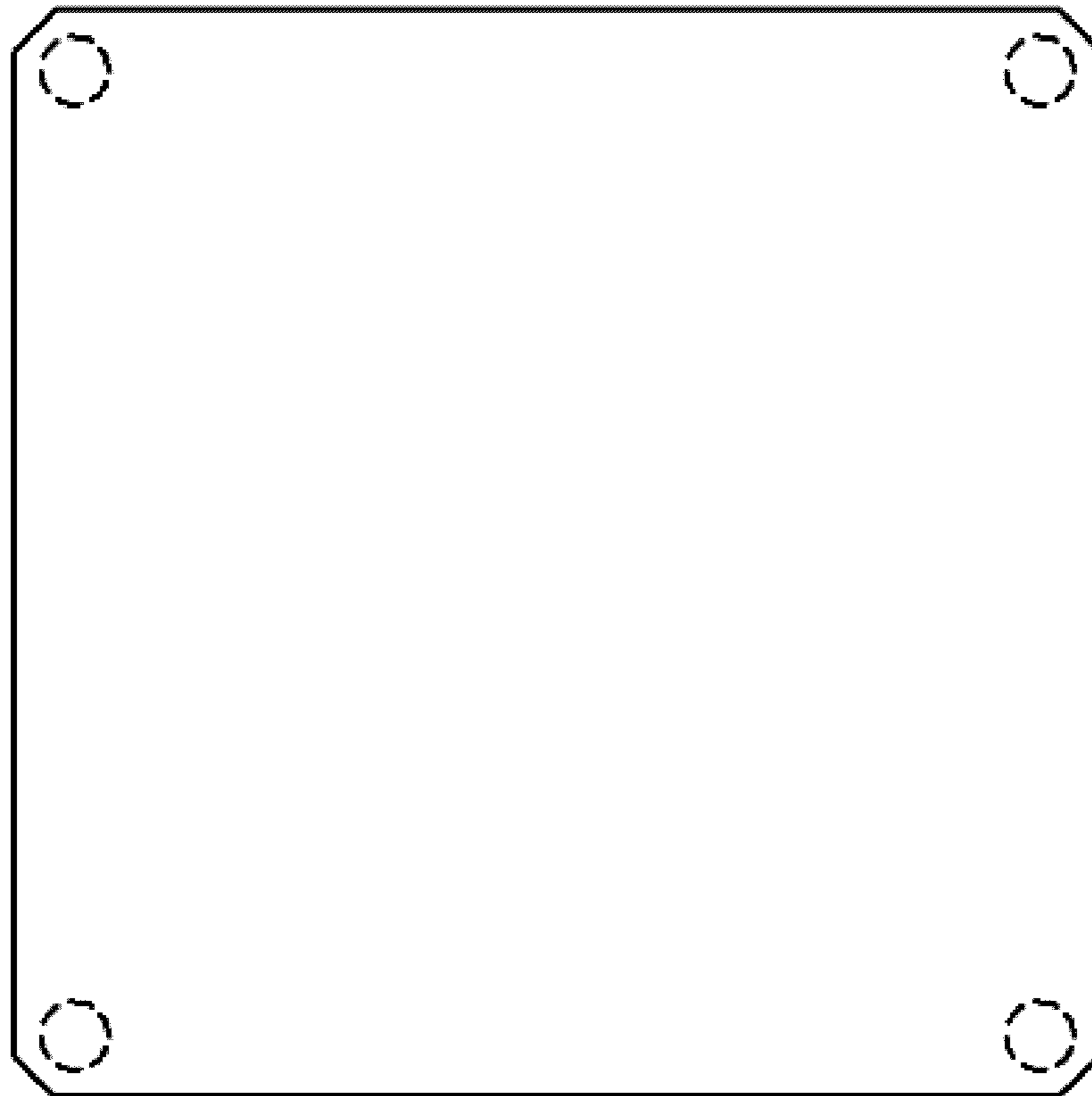


FIG. 3

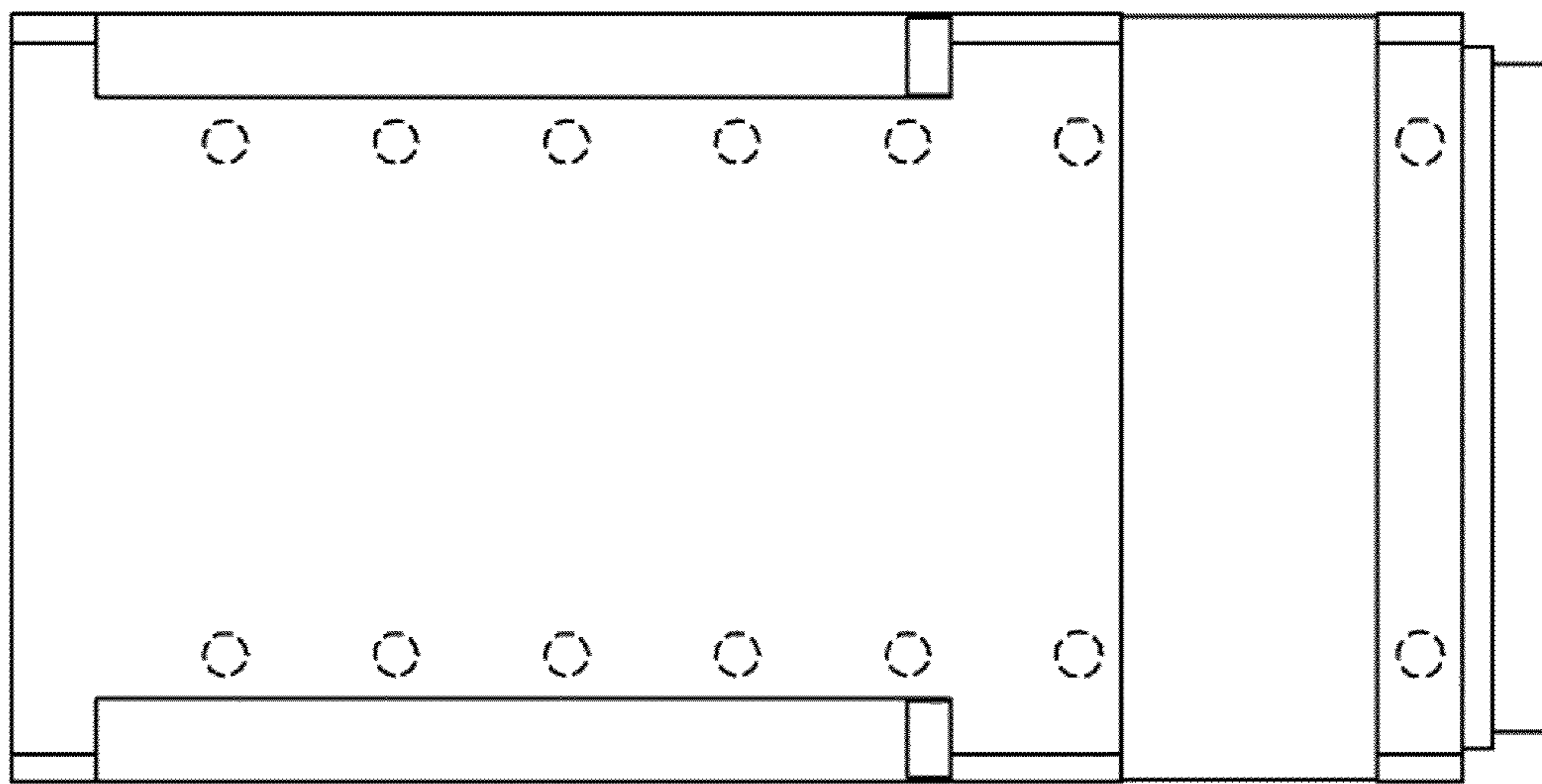


FIG.4

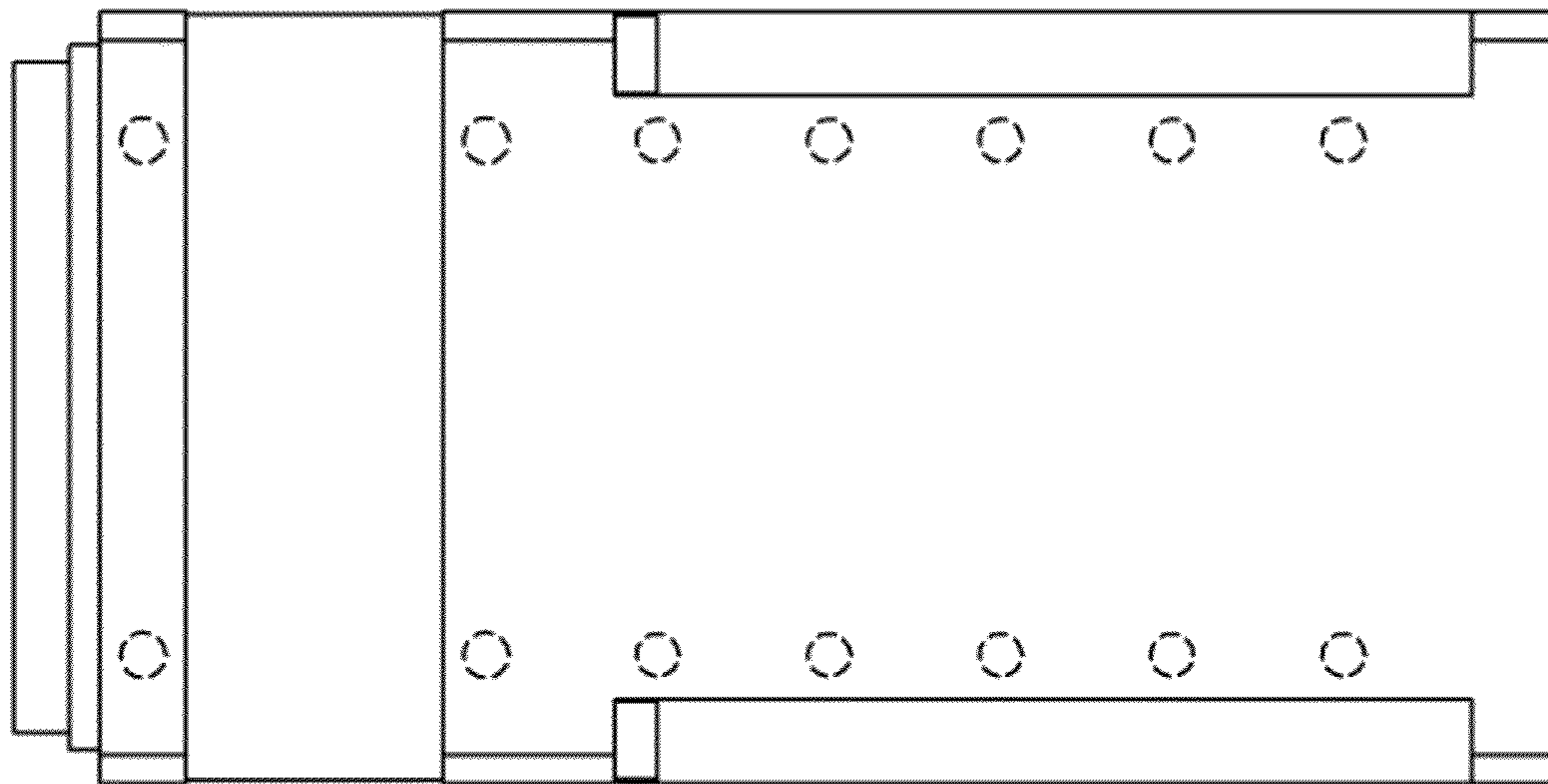


FIG. 5

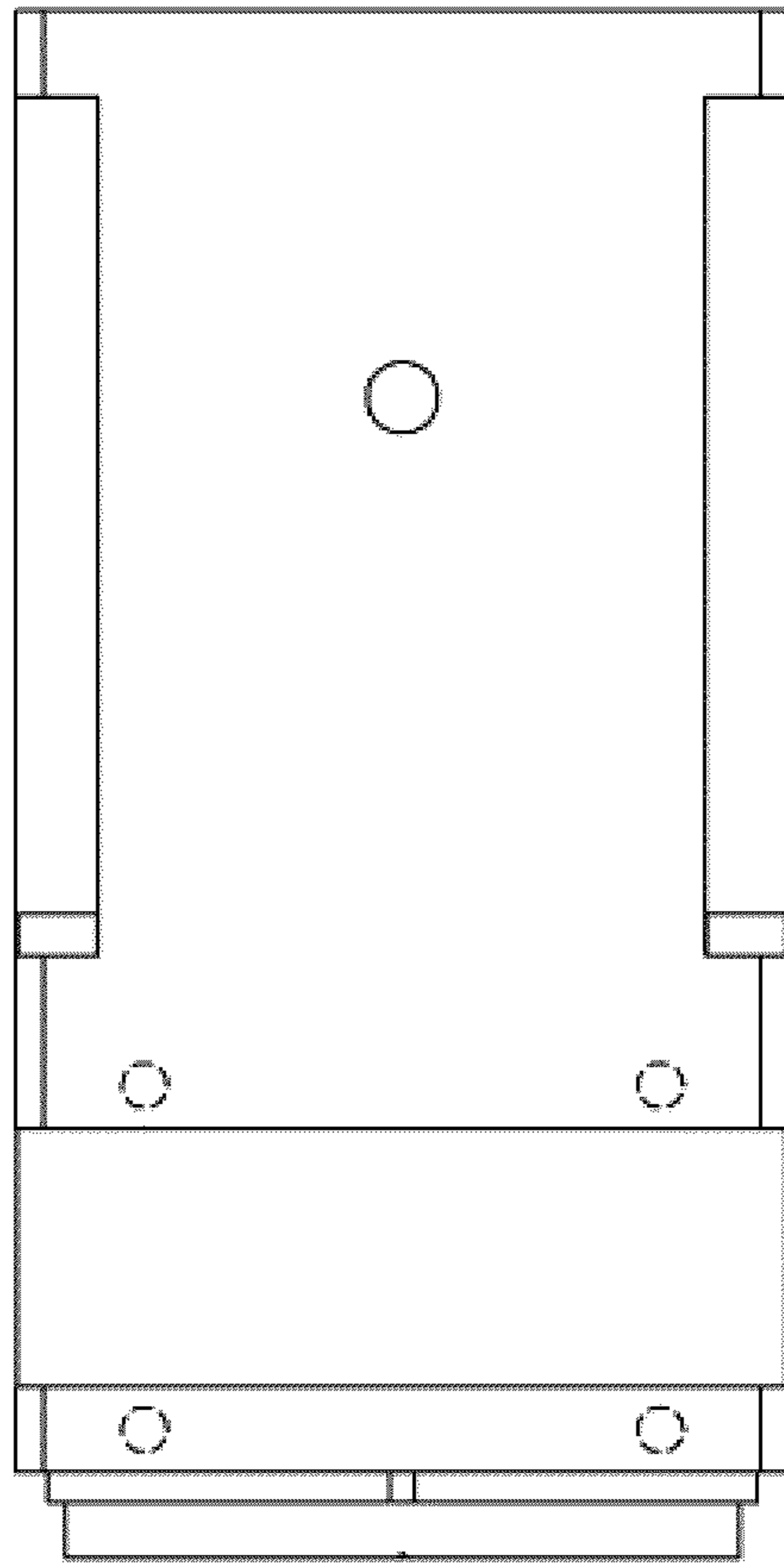


FIG. 6

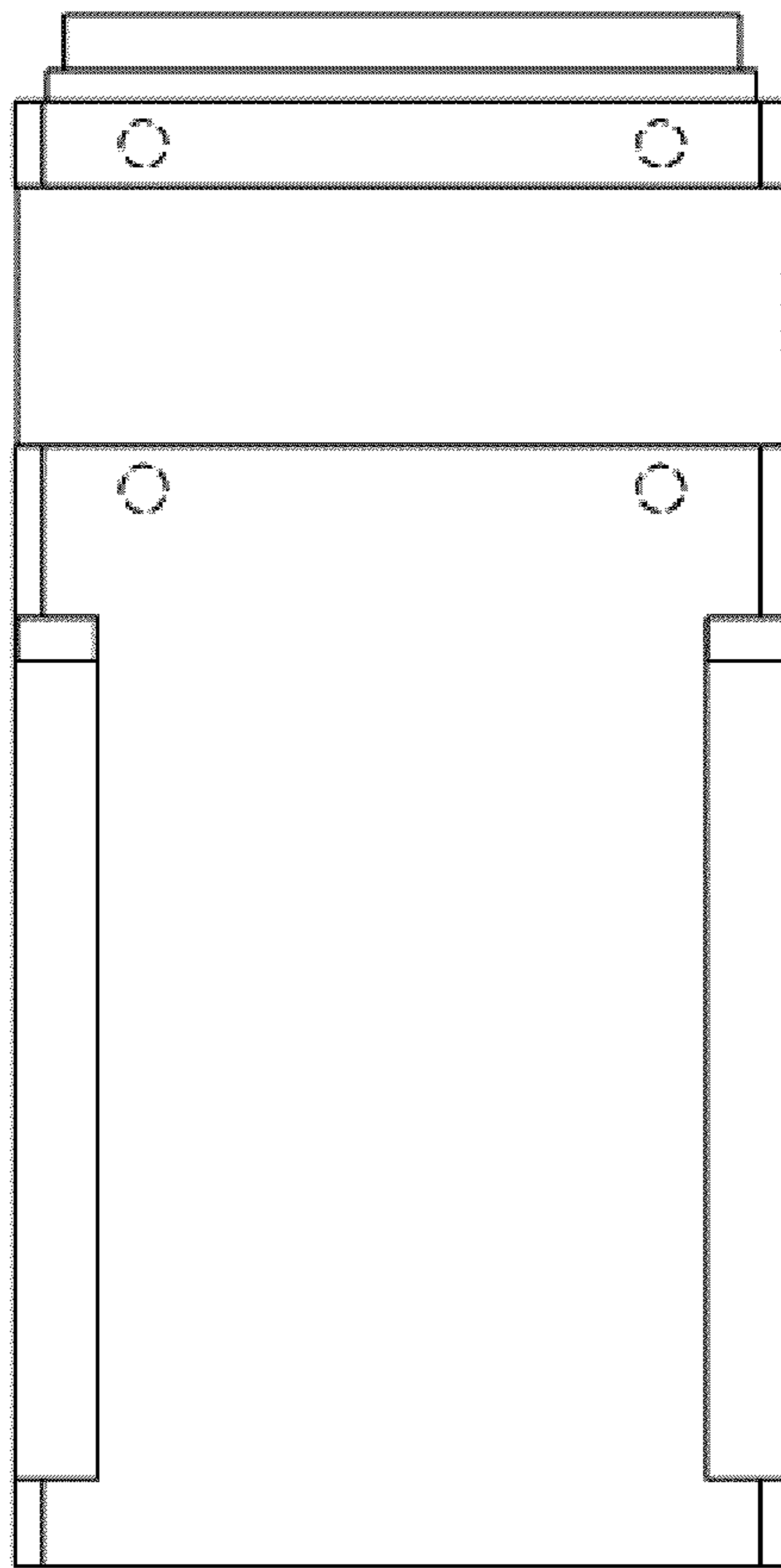


FIG. 7



UNITED STATES PATENT AND TRADEMARK OFFICE  
**CERTIFICATE OF CORRECTION**

PATENT NO. : D703,714 S  
APPLICATION NO. : 29/465562  
DATED : April 29, 2014  
INVENTOR(S) : Byoungsoo Kim and Jungho Lee

Page 1 of 1

It is certified that error appears in the above-identified patent and that said Letters Patent is hereby corrected as shown below:

Title Page, Item (54), Title,  
Delete "Boring Machine" and insert --Actuator--

Title Page, Item (57), Claim,  
Delete "The ornamental design for a boring machine, as shown and described,"  
Insert --The ornamental design for an actuator, as shown and described.--

Signed and Sealed this  
Seventh Day of April, 2015



Michelle K. Lee  
*Director of the United States Patent and Trademark Office*