



US00D703713S

(12) **United States Design Patent**
Frazier

(10) **Patent No.:** **US D703,713 S**
(45) **Date of Patent:** **** Apr. 29, 2014**

(54) **CONFIGURABLE CAGED BALL INSERT FOR A DOWNHOLE TOOL**

2,555,627 A 6/1951 Baker
2,589,506 A 3/1952 Morrisett
2,593,520 A 4/1952 Baker et al.
2,616,502 A 11/1952 Lenz

(71) Applicant: **W. Lynn Frazier**, Corpus Christi, TX (US)

(Continued)

(72) Inventor: **W. Lynn Frazier**, Corpus Christi, TX (US)

FOREIGN PATENT DOCUMENTS

(**) Term: **14 Years**

GB 914030 12/1962
WO WO2010127457 11/2010

(21) Appl. No.: **29/433,288**

OTHER PUBLICATIONS

(22) Filed: **Sep. 27, 2012**

“Teledyne Merla Oil Tools-Products-Services,” Teledyne Merla, Aug. 1990 (40 pages).

(Continued)

Related U.S. Application Data

(63) Continuation-in-part of application No. 29/398,388, filed on Jul. 29, 2011.

Primary Examiner — Patricia Palasik

(51) **LOC (10) Cl.** **15-09**

(74) *Attorney, Agent, or Firm* — Edmonds & Nolte, P.C.

(52) **U.S. Cl.**

USPC **D15/139**

(58) **Field of Classification Search**

USPC D8/70, 71; D15/21, 138, 139, 140; 166/118, 133, 134, 170, 173, 206, 166/244.1, 316, 318, 332.1, 336, 373, 375, 166/376, 381, 386, 387; 175/317; 294/86.3; 340/854.4

See application file for complete search history.

(57) **CLAIM**

The ornamental design for a configurable caged ball insert for a downhole tool, as shown and described.

DESCRIPTION

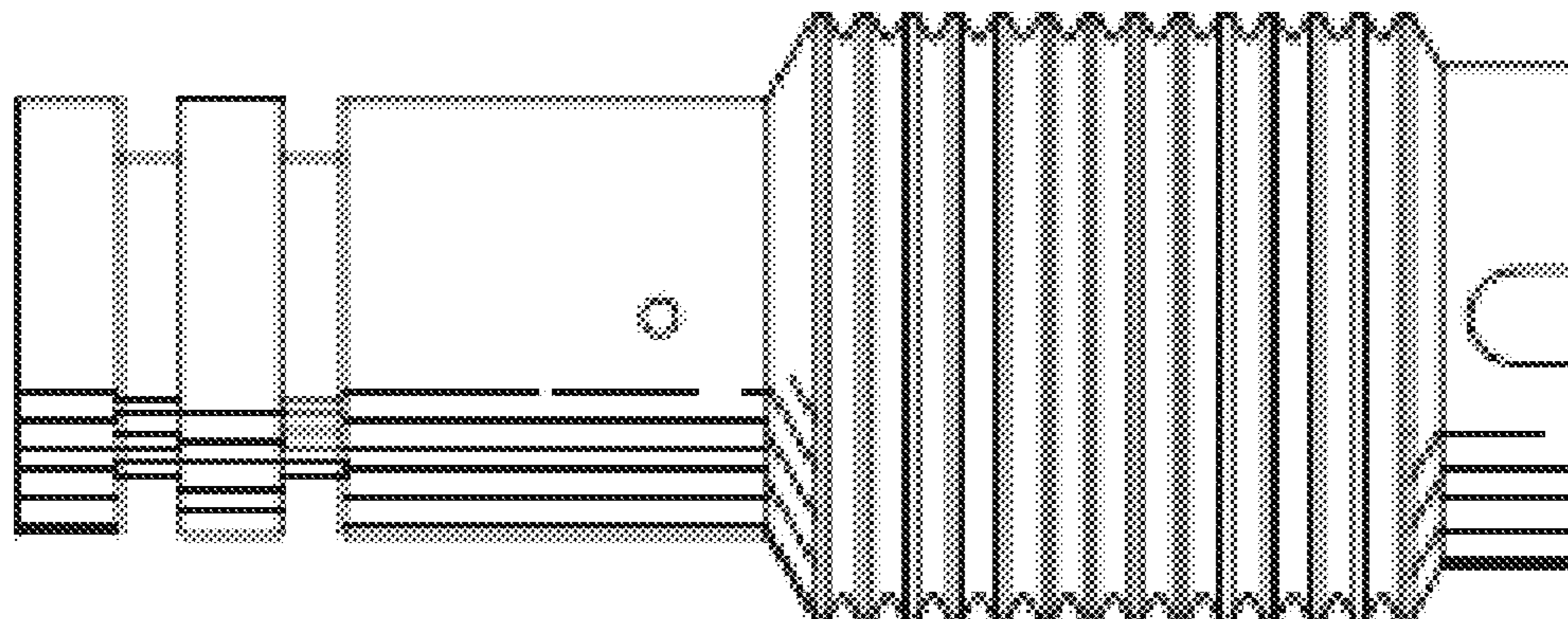
FIG. 1 is a perspective view of a configurable caged ball insert for a downhole tool;
FIG. 2 is a bottom plan view thereof;
FIG. 3 is a front side plan view thereof, wherein the front side plan view and the back side plan view are identical;
FIG. 4 is a top plan view thereof;
FIG. 5 is a left side plan view thereof, wherein the left side plan view and the right side plan view are identical;
FIG. 6 is a front side cross-sectional view thereof, taken along line 6-6 of FIG. 4 wherein the front side cross-sectional view and the back side cross-sectional view are identical; and,
FIG. 7 is a left side cross-sectional view thereof, taken along line 7-7 of FIG. 4 wherein the left side cross-sectional view and the right side cross-sectional view are identical.

(56) **References Cited**

U.S. PATENT DOCUMENTS

RE17,217 E 2/1929 Burch
2,040,889 A 5/1936 Whinnen
2,160,228 A 5/1939 Pustmueller
2,223,602 A 12/1940 Cox
2,230,447 A 2/1941 Bassinger
2,286,126 A 6/1942 Thornhill
2,331,532 A 10/1943 Bassinger
2,376,605 A 5/1945 Lawrence

1 Claim, 3 Drawing Sheets



(56)

References Cited

U.S. PATENT DOCUMENTS

2,640,546 A	6/1953	Baker	5,207,274 A	5/1993	Streich et al.
2,713,910 A	7/1955	Baker et al.	5,209,310 A	5/1993	Clydesdale
2,714,932 A	8/1955	Thompson	5,219,380 A	6/1993	Young et al.
2,737,242 A	3/1956	Baker	5,224,540 A	7/1993	Streich et al.
2,756,827 A	7/1956	Farrar	5,230,390 A	7/1993	Zastressek et al.
2,830,666 A	4/1958	Rhodes	5,234,052 A	8/1993	Coone et al.
2,833,354 A	5/1958	Sailers	5,253,705 A	10/1993	Clary et al.
3,013,612 A	12/1961	Angel	5,295,735 A	3/1994	Cobbs et al.
3,054,453 A	9/1962	Bonner	5,311,939 A	5/1994	Pringle et al.
3,062,296 A	11/1962	Brown	5,316,081 A	5/1994	Baski et al.
3,082,824 A	3/1963	Taylor	5,318,131 A	6/1994	Baker
3,160,209 A	12/1964	Bonner	D350,887 S *	9/1994	Sjolander et al. D8/70
3,163,225 A	12/1964	Perkins	5,343,954 A	9/1994	Bohlen et al.
3,273,588 A	9/1966	Dollison	D353,756 S *	12/1994	Graves D8/29
3,282,342 A	11/1966	Mott	D355,428 S *	2/1995	Hatcher D15/139
3,291,218 A	12/1966	Lebourg	5,390,737 A	2/1995	Jacobi et al.
3,298,437 A	1/1967	Conrad	5,392,540 A	2/1995	Cooper et al.
3,298,440 A	1/1967	Current	5,419,399 A	5/1995	Smith
3,306,362 A	2/1967	Urbanosky	RE35,088 E	11/1995	Gilbert
3,308,895 A	3/1967	Oxford et al.	5,484,191 A	1/1996	Sollami
3,356,140 A	12/1967	Young	5,490,339 A	2/1996	Accettola
3,393,743 A	7/1968	Stanescu	5,540,279 A	7/1996	Branch et al.
3,429,375 A	2/1969	Craig	5,564,502 A	10/1996	Crow et al.
3,517,742 A	6/1970	Williams	5,593,292 A	1/1997	Ivey
3,554,280 A	1/1971	Tucker	D377,969 S *	2/1997	Grantham D23/262
3,602,305 A	8/1971	Kisling	5,655,614 A	8/1997	Azar
3,623,551 A	11/1971	Randermann, Jr.	5,701,959 A	12/1997	Hushbeck et al.
3,687,202 A	8/1972	Young et al.	5,785,135 A	7/1998	Crawley
3,787,101 A	1/1974	Sugden	5,791,825 A	8/1998	Gardner et al.
3,818,987 A	6/1974	Ellis	5,803,173 A	9/1998	Fraser, III et al.
3,851,706 A	12/1974	Ellis	5,810,083 A	9/1998	Kilgore
3,860,066 A	1/1975	Pearce et al.	5,819,846 A	10/1998	Bolt, Jr.
3,926,253 A	12/1975	Duke	D415,180 S *	10/1999	Rosanwo D15/140
4,035,024 A	7/1977	Fink	5,961,185 A	10/1999	Friant et al.
4,049,015 A	9/1977	Brown	5,984,007 A	11/1999	Yuan et al.
4,134,455 A	1/1979	Read	5,988,277 A	11/1999	Vick, Jr. et al.
4,151,875 A	5/1979	Sullaway	6,012,519 A	1/2000	Allen et al.
4,185,689 A	1/1980	Harris	6,085,446 A	7/2000	Posch
4,189,183 A	2/1980	Borowski	6,098,716 A	8/2000	Hromas et al.
4,250,960 A *	2/1981	Chammas 166/55	6,105,694 A	8/2000	Scott
4,314,608 A	2/1982	Richardson	6,142,226 A	11/2000	Vick
4,381,038 A	4/1983	Sugden	6,152,232 A	11/2000	Webb et al.
4,391,547 A	7/1983	Jackson, Jr. et al.	6,167,963 B1	1/2001	McMahan et al.
4,405,017 A	9/1983	Allen et al.	6,182,752 B1	2/2001	Smith, Jr. et al.
4,432,418 A	2/1984	Mayland	6,199,636 B1	3/2001	Harrison
4,436,151 A	3/1984	Callihan et al.	6,220,349 B1	4/2001	Vargus et al.
4,437,516 A	3/1984	Cockrell	6,283,148 B1	9/2001	Spears et al.
4,457,376 A	7/1984	Carmody et al.	6,341,823 B1	1/2002	Sollami
4,493,374 A	1/1985	Magee, Jr.	6,367,569 B1	4/2002	Walk
4,532,995 A	8/1985	Kaufman	6,394,180 B1	5/2002	Berscheidt et al.
4,548,442 A	10/1985	Sugden et al.	6,457,267 B1	10/2002	Porter et al.
4,554,981 A	11/1985	Davies	6,491,108 B1	12/2002	Slup et al.
4,566,541 A	1/1986	Moussy et al.	6,543,963 B2	4/2003	Bruso
4,585,067 A	4/1986	Blizzard et al.	6,581,681 B1	6/2003	Zimmerman et al.
4,595,052 A	6/1986	Kristiansen	6,629,563 B2	10/2003	Doane
4,602,654 A	7/1986	Stehling et al.	6,695,049 B2	2/2004	Ostocke et al.
4,688,641 A	8/1987	Knieriemen	6,708,770 B2	3/2004	Slup et al.
4,708,163 A	11/1987	Deaton	6,725,935 B2	4/2004	Szarka et al.
4,708,202 A	11/1987	Sukup et al.	6,739,398 B1	5/2004	Yokley et al.
D293,798 S *	1/1988	Johnson D15/140	6,769,491 B2	8/2004	Zimmerman et al.
4,776,410 A	10/1988	Perkin et al.	6,779,948 B2	8/2004	Bruso
4,784,226 A	11/1988	Wyatt	6,796,376 B2	9/2004	Frazier
4,792,000 A	12/1988	Perkin et al.	6,799,633 B2	10/2004	McGregor
4,830,103 A	5/1989	Blackwell et al.	6,834,717 B2	12/2004	Bland
4,848,459 A	7/1989	Blackwell et al.	6,851,489 B2	2/2005	Hinds
4,893,678 A	1/1990	Stokley et al.	6,854,201 B1	2/2005	Hunter et al.
5,020,590 A	6/1991	McLeod	6,902,006 B2	6/2005	Myerley et al.
5,074,063 A	12/1991	Vannette	6,918,439 B2	7/2005	Dallas
5,082,061 A *	1/1992	Dollison 166/378	6,938,696 B2	9/2005	Dallas
5,095,980 A	3/1992	Watson	6,944,977 B2	9/2005	Deniau et al.
5,113,940 A	5/1992	Glaser	7,021,389 B2	4/2006	Bishop et al.
5,117,915 A	6/1992	Mueller et al.	7,040,410 B2	5/2006	McGuire et al.
5,154,228 A	10/1992	Gambertoglio et al.	7,055,632 B2	6/2006	Dallas
5,183,068 A	2/1993	Prosser	7,069,997 B2	7/2006	Coyes et al.
5,188,182 A	2/1993	Echols, III et al.	7,107,875 B2	9/2006	Haugen et al.
			7,124,831 B2	10/2006	Turley et al.
			7,128,091 B2	10/2006	Istre et al.
			7,150,131 B2	12/2006	Barker
			7,168,494 B2	1/2007	Starr et al.

(56)

References Cited

U.S. PATENT DOCUMENTS

7,281,584 B2 10/2007 McGarian et al.
 D560,109 S * 1/2008 Huang D8/70
 7,325,617 B2 2/2008 Murray
 7,337,847 B2 3/2008 McGarian et al.
 7,350,582 B2 4/2008 McKeachnie et al.
 7,353,879 B2 4/2008 Todd et al.
 7,363,967 B2 4/2008 Burris, II et al.
 7,373,973 B2 5/2008 Smith et al.
 7,428,922 B2 9/2008 Fripp et al.
 7,527,104 B2 5/2009 Branch et al.
 7,552,779 B2 6/2009 Murray
 D597,110 S * 7/2009 Anitua Aldecoa D15/139
 7,600,572 B2 10/2009 Slup et al.
 7,604,058 B2 10/2009 McGuire
 7,637,326 B2 12/2009 Bolding et al.
 7,644,767 B2 1/2010 Kalb et al.
 7,644,774 B2 1/2010 Branch et al.
 D612,875 S * 3/2010 Beynon D15/139
 7,673,677 B2 3/2010 King et al.
 7,690,436 B2 4/2010 Turley et al.
 D618,715 S * 6/2010 Corcoran D15/140
 7,735,549 B1 6/2010 Nish et al.
 7,740,079 B2 6/2010 Clayton et al.
 7,775,286 B2 8/2010 Duphorne
 7,775,291 B2 8/2010 Jacob et al.
 7,784,550 B2 8/2010 Nutley et al.
 7,798,236 B2 9/2010 McKeachnie et al.
 7,810,558 B2 10/2010 Shkurti et al.
 D629,820 S * 12/2010 Van Ryswyk D15/139
 7,866,396 B2 1/2011 Rytlewski
 7,878,242 B2 2/2011 Gray
 7,886,830 B2 2/2011 Bolding et al.
 7,900,696 B1 * 3/2011 Nish et al. 166/133
 7,909,108 B2 3/2011 Swor et al.
 7,909,109 B2 3/2011 Angman et al.
 D635,429 S * 4/2011 Hakki D8/70
 7,918,278 B2 4/2011 Barbee
 7,921,923 B2 4/2011 McGuire
 7,921,925 B2 4/2011 Harrall et al.
 7,926,571 B2 4/2011 Hofman
 8,074,718 B2 12/2011 Roberts
 8,079,413 B2 12/2011 Frazier
 8,113,276 B2 2/2012 Greenlee et al.
 8,127,856 B1 3/2012 Nish et al.
 D657,807 S 4/2012 Frazier
 8,231,947 B2 7/2012 Vaidya et al.
 2001/0040035 A1 * 11/2001 Appleton et al. 166/387
 2003/0024706 A1 2/2003 Allamon
 2003/0188860 A1 10/2003 Zimmerman et al.
 2004/0150533 A1 * 8/2004 Hall et al. 340/854.4
 2005/0173126 A1 * 8/2005 Starr et al. 166/376
 2006/0001283 A1 * 1/2006 Bakke 294/86.3
 2006/0011389 A1 * 1/2006 Booth 175/317
 2006/0278405 A1 12/2006 Turley et al.
 2007/0051521 A1 3/2007 Fike et al.
 2007/0068670 A1 * 3/2007 Booth 166/173

2007/0107908 A1 5/2007 Vaidya et al.
 2007/0227745 A1 * 10/2007 Roberts et al. 166/386
 2007/0240883 A1 * 10/2007 Telfer 166/375
 2008/0060821 A1 3/2008 Smith et al.
 2008/0110635 A1 5/2008 Loretz et al.
 2009/0044957 A1 2/2009 Clayton et al.
 2009/0114401 A1 5/2009 Purkis
 2009/0126933 A1 * 5/2009 Telfer 166/301
 2009/0211749 A1 8/2009 Nguyen et al.
 2010/0064859 A1 * 3/2010 Stephens 81/125
 2010/0084146 A1 4/2010 Roberts
 2010/0132960 A1 6/2010 Shkurti et al.
 2010/0155050 A1 6/2010 Frazier
 2010/0252252 A1 10/2010 Harris et al.
 2010/0263876 A1 10/2010 Frazier
 2010/0276159 A1 11/2010 Mailand et al.
 2010/0288503 A1 11/2010 Cuiper et al.
 2011/0005779 A1 * 1/2011 Lembcke 166/387
 2011/0036564 A1 2/2011 Williamson
 2011/0061856 A1 3/2011 Kellner et al.
 2011/0088915 A1 4/2011 Stanojic et al.
 2011/0103915 A1 5/2011 Tedeschi
 2011/0168404 A1 * 7/2011 Telfer et al. 166/378
 2011/0198082 A1 * 8/2011 Stromquist et al. 166/298
 2011/0240295 A1 10/2011 Porter et al.
 2011/0259610 A1 10/2011 Shkurti et al.

OTHER PUBLICATIONS

“78/79 Catalog: Packers-Plugs-Completions Tools,” Pengo Industries, Inc., 1978-1979 (12 pages).
 “MAP Oil Tools Inc. Catalog,” MAP Oil Tools, Apr. 1999 (46 pages).
 “Lovejoy-where the world turns for couplings,” Lovejoy, Inc., Dec. 2000 (30 pages).
 “Halliburton Services, Sales & Service Catalog,” Halliburton Services, 1970-1971 (2 pages).
 “1975-1976 Packer Catalog,” Gearhart-Owen Industries Inc., 1975-1976 (52 pages).
 “Formation Damage Control Utilizing Composite-Bridge Plug Technology for Monobore, Multizone Stimulation Operations,” Gary Garfield, SPE, May 15, 2001 (8 pages).
 “Composite Bridge Plug Technique for Multizone Commingled Gas Wells,” Gary Garfield, SPE, Mar. 24, 2001 (6 pages).
 “Composite Research: Composite bridge plugs used in multi-zone wells to avoid costly kill-weight fluids,” Gary Garfield, SPE, Mar. 24, 2001 (4 pages).
 “It’s About Time-Quick Drill Composite Bridge Plug,” Baker Oil Tools, Jun. 2002 (2 pages).
 “Baker Hughes-Baker Oil Tools-Workover Systems-QUIK Drill Composite Bride Plug,” Baker Oil Tools, Dec. 2000 (3 pages).
 “Baker Hughes 100 Years of Service,” Baker Hushes In Depth, Special Centennial Issue, Publication COR-07-13127, vol. 13, No. 2, Baker Hughes Incorporated, Jul. 2007 (92 pages).
 “Halliburton Services, Sales & Service Catalog No. 43,” Halliburton Co., 1985 (202 pages).
 “Alpha Oil Tools Catalog,” Alpha Oil Tools, 1997 (136 pages).

* cited by examiner

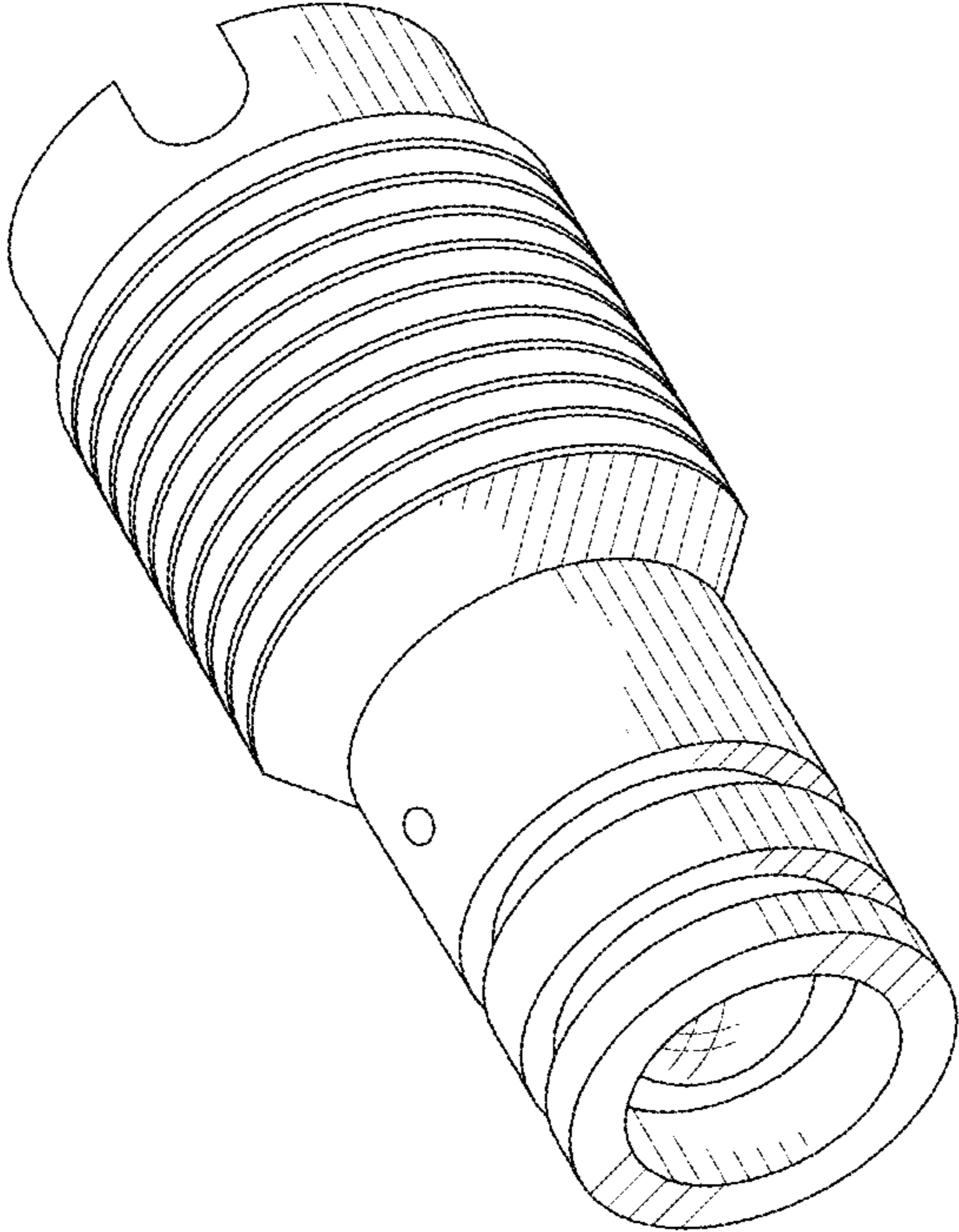


FIG. 1

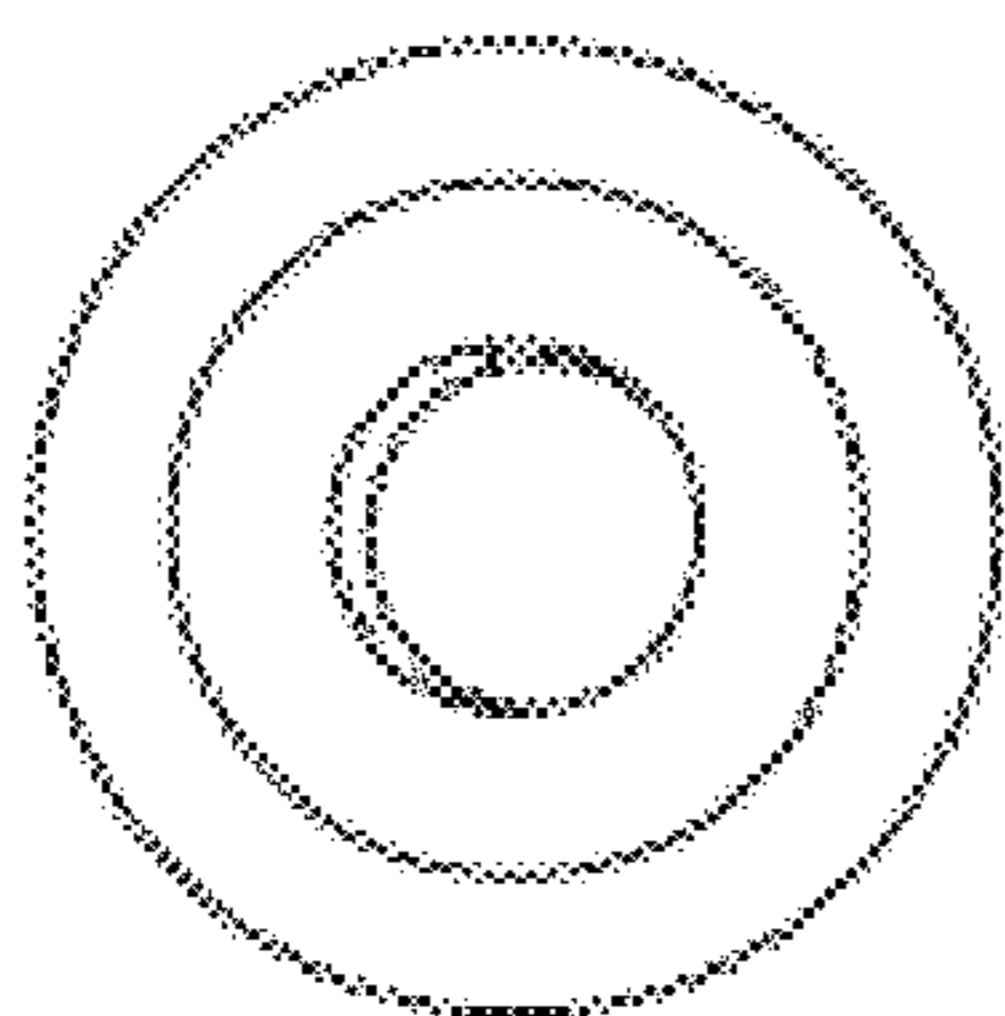


FIG. 2

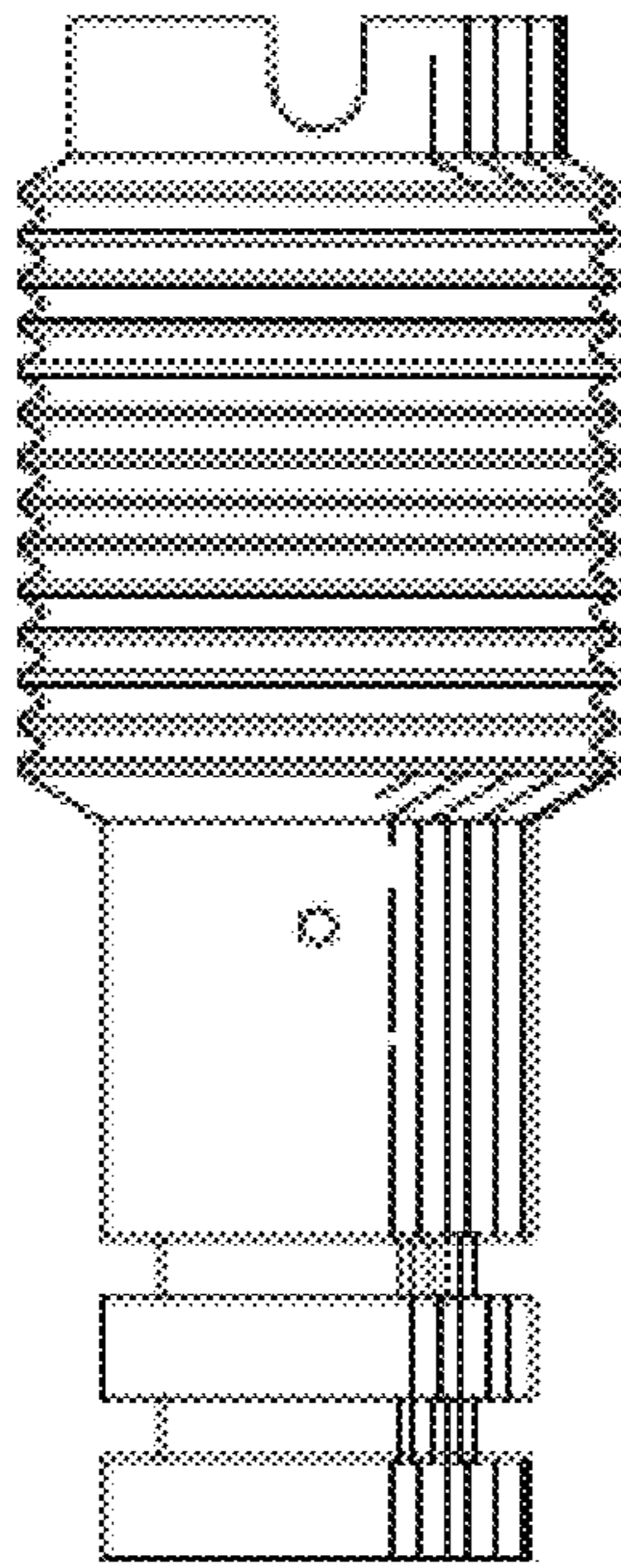


FIG. 3

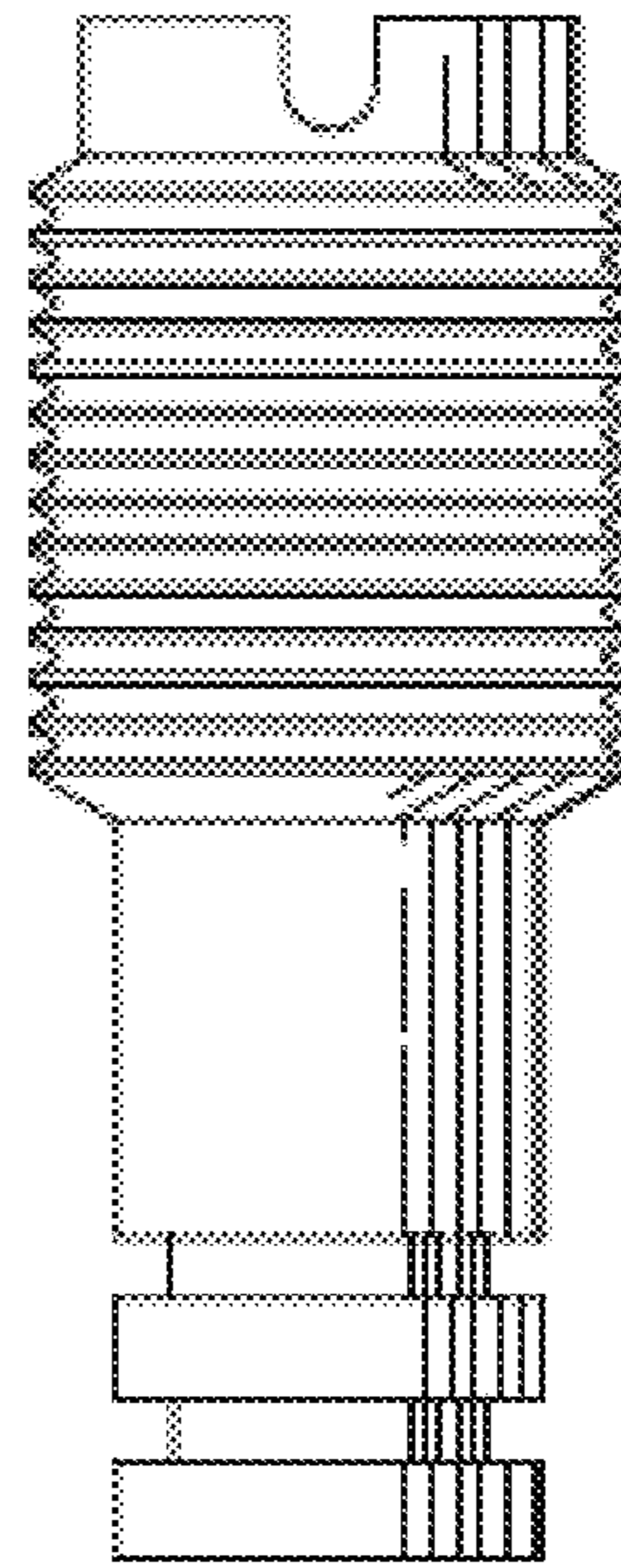


FIG. 5

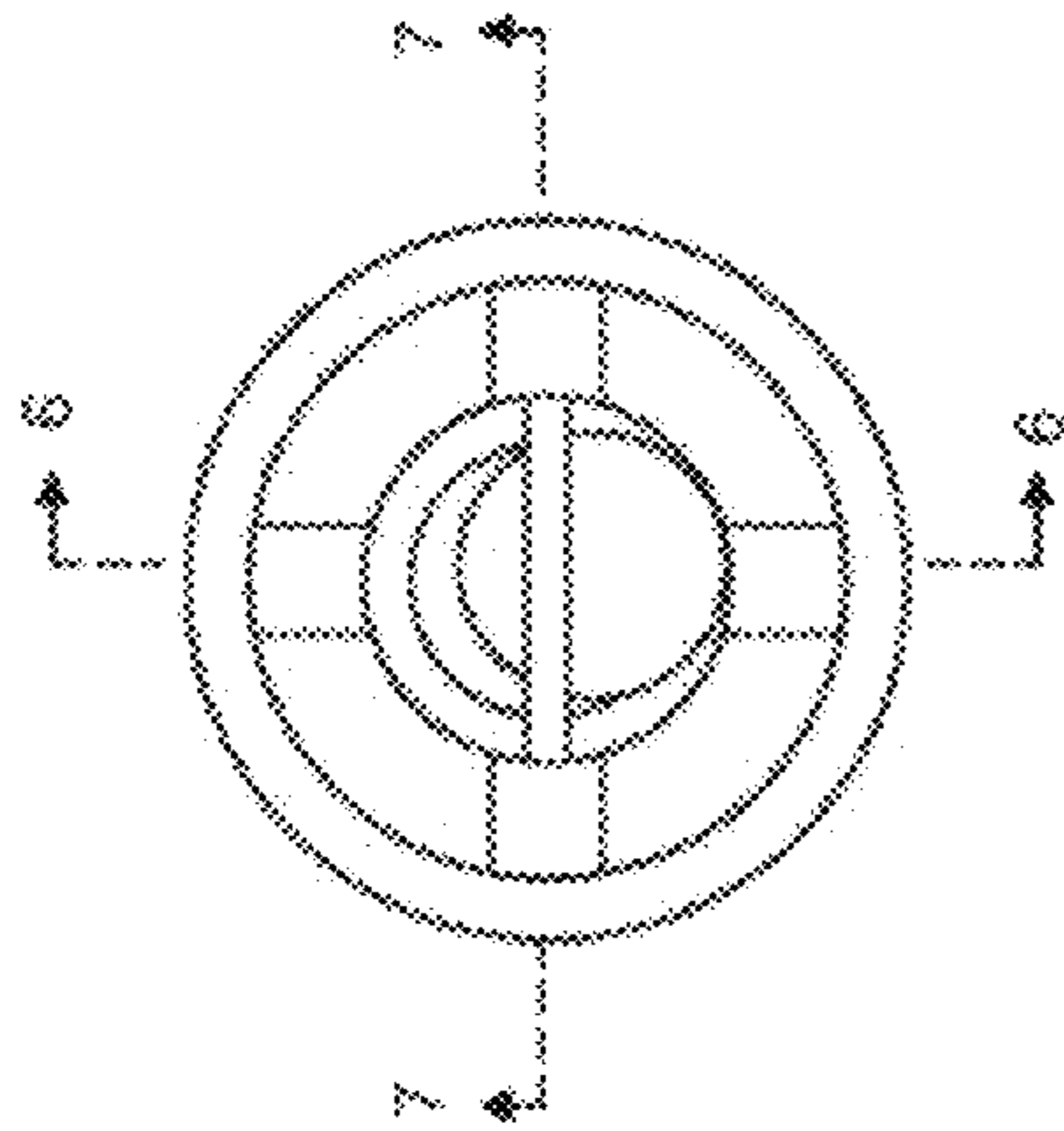


FIG. 4

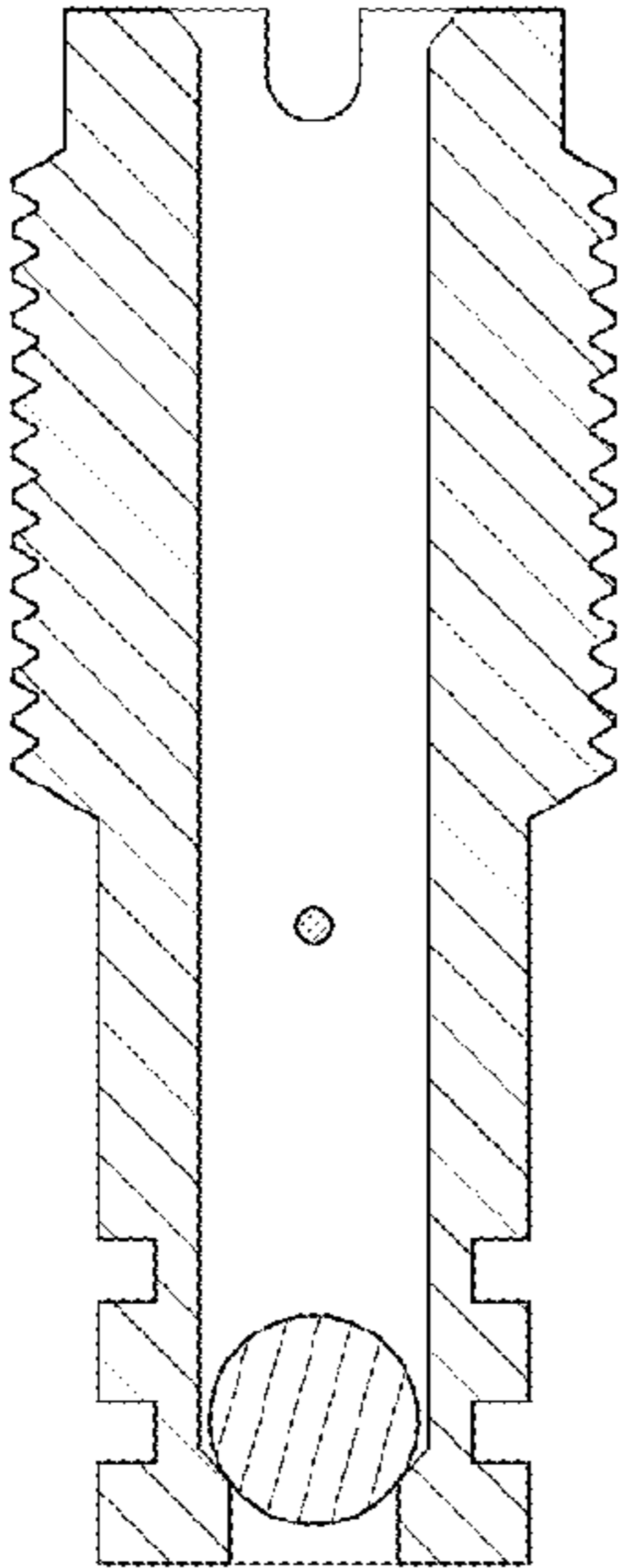


FIG. 6

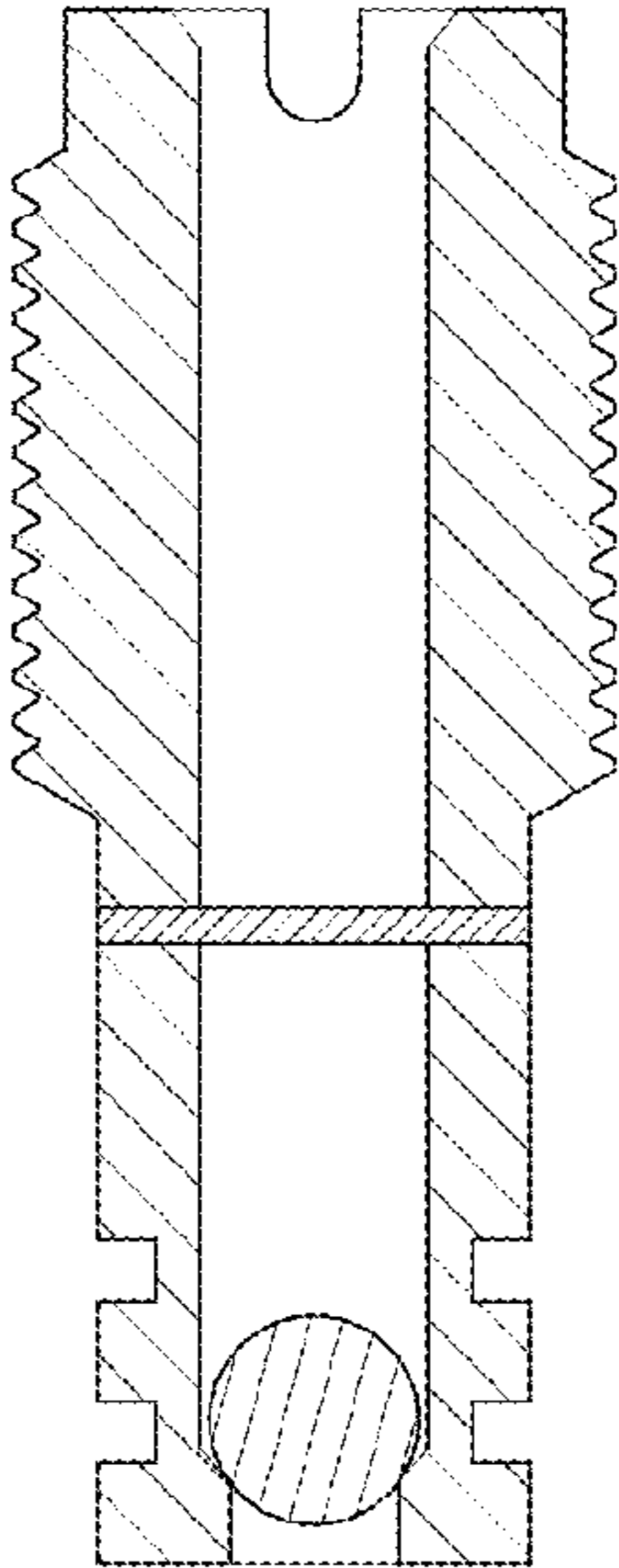


FIG. 7