



US00D703707S

(12) **United States Design Patent**
Foster et al.

(10) **Patent No.:** **US D703,707 S**
(45) **Date of Patent:** **** Apr. 29, 2014**

(54) **POWDER PULVERISING DEVICE**

(56) **References Cited**

(75) Inventors: **Clark Foster**, Mission Viejo, CA (US);
Aaron Gifford, Lake Elsinore, CA (US);
David Mishelevich, Playa Del Ray, CA
(US); **Eric Warner**, Oceanside, CA
(US); **Sylvain Picot**, Lyons (FR);
Patricia Forest, Lyons (FR)

U.S. PATENT DOCUMENTS

5,678,770	A *	10/1997	Shah	239/690
D397,421	S *	8/1998	Adams	D23/226
D589,771	S *	4/2009	Lee	D8/61
7,617,998	B2 *	11/2009	Mauchle et al.	239/707
D619,438	S *	7/2010	Lee	D8/68
D639,836	S *	6/2011	van Cuijk et al.	D15/199
D656,181	S *	3/2012	Kikuchi et al.	D18/43
D667,080	S *	9/2012	Sanwald	D23/223
D683,851	S *	6/2013	Greenhalgh	D24/133
2008/0041911	A1 *	2/2008	Lee	227/9
2009/0159634	A1 *	6/2009	Lee	227/9

(73) Assignee: **BIOM'UP**, Saint-Priest (FR)

(**) Term: **14 Years**

* cited by examiner

(21) Appl. No.: **29/408,843**

Primary Examiner — Patricia Palasik

(22) Filed: **Dec. 16, 2011**

(74) *Attorney, Agent, or Firm* — Hovey Williams LLP

(30) **Foreign Application Priority Data**

(57) **CLAIM**

Jul. 1, 2011 (EM) 001885716-0001

We claim the ornamental design for a powder pulverising device, as shown and described.

(51) **LOC (10) Cl.** **15-09**

DESCRIPTION

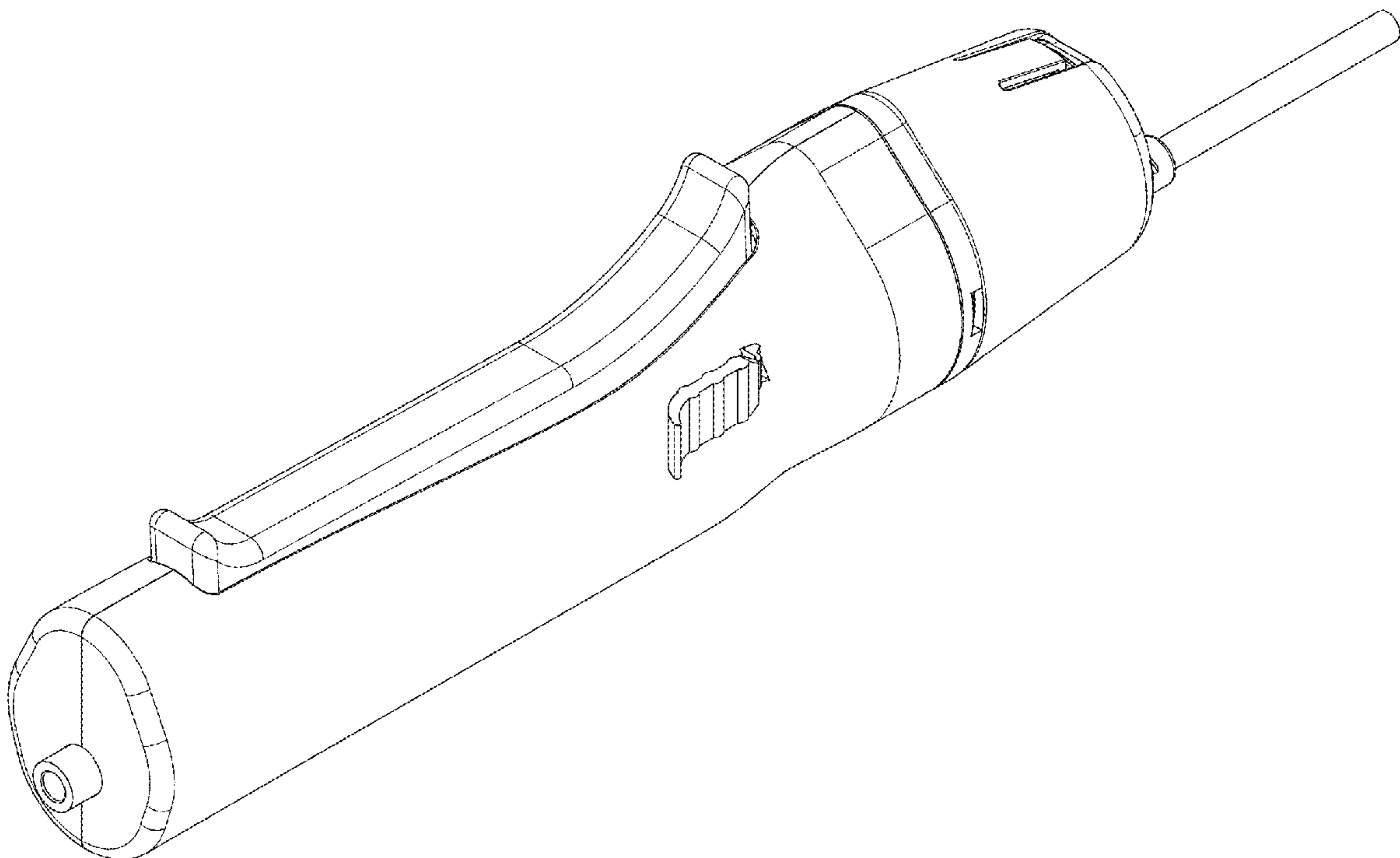
(52) **U.S. Cl.**
USPC **D15/123**

(58) **Field of Classification Search**
USPC D8/61, 68; D15/122, 123; 173/162.1,
173/162.2, 170, 171, 210; 227/8-11, 130,
227/156

FIG. 1 is a back view of our ornamental design for a powder pulverising device;
FIG. 2 is a front view thereof;
FIG. 3 is a left side view thereof;
FIG. 4 is a right side view thereof;
FIG. 5 is a bottom view thereof;
FIG. 6 is a top right rear perspective view thereof; and,
FIG. 7 is a top left front perspective view thereof.

See application file for complete search history.

1 Claim, 7 Drawing Sheets



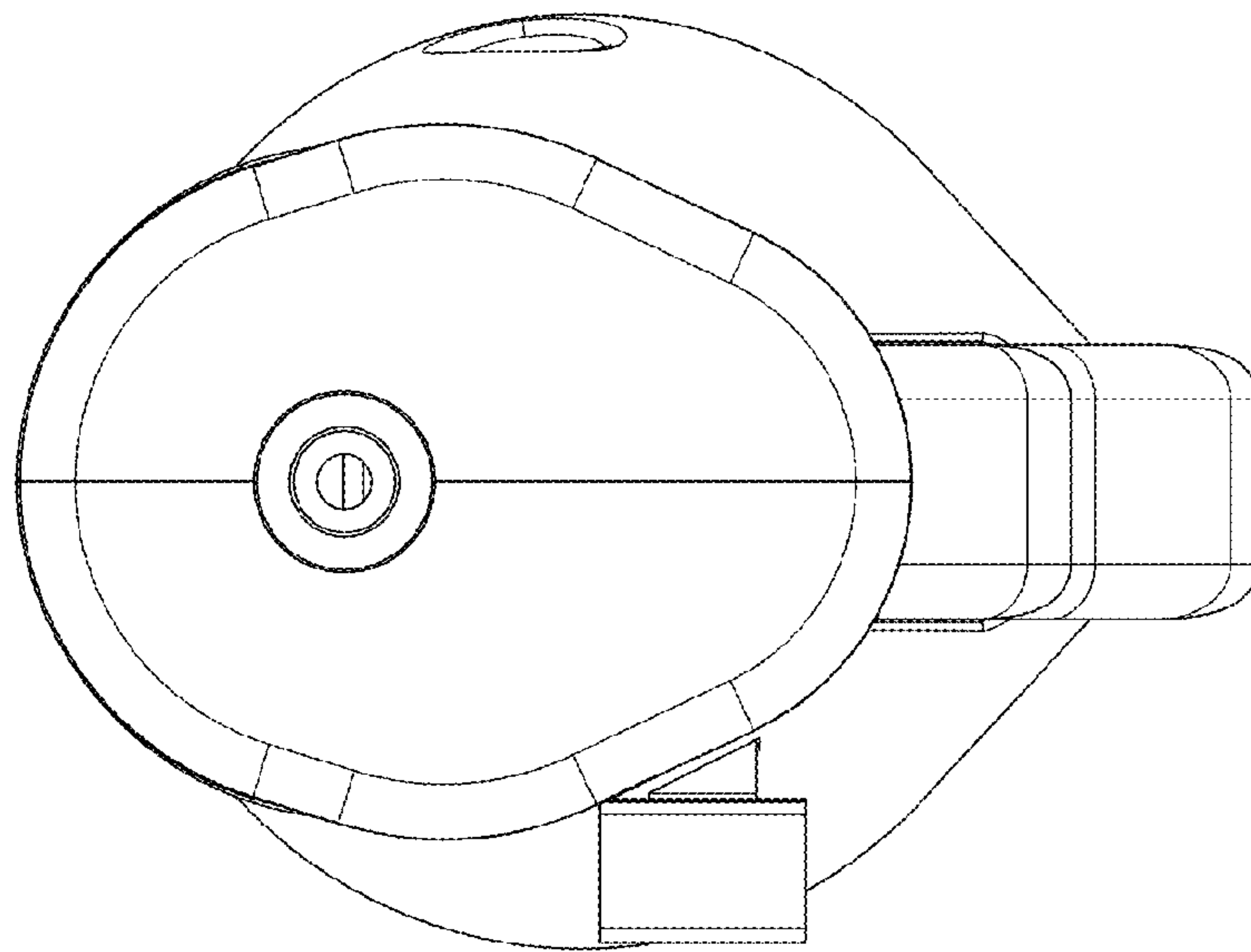


Fig. 1.

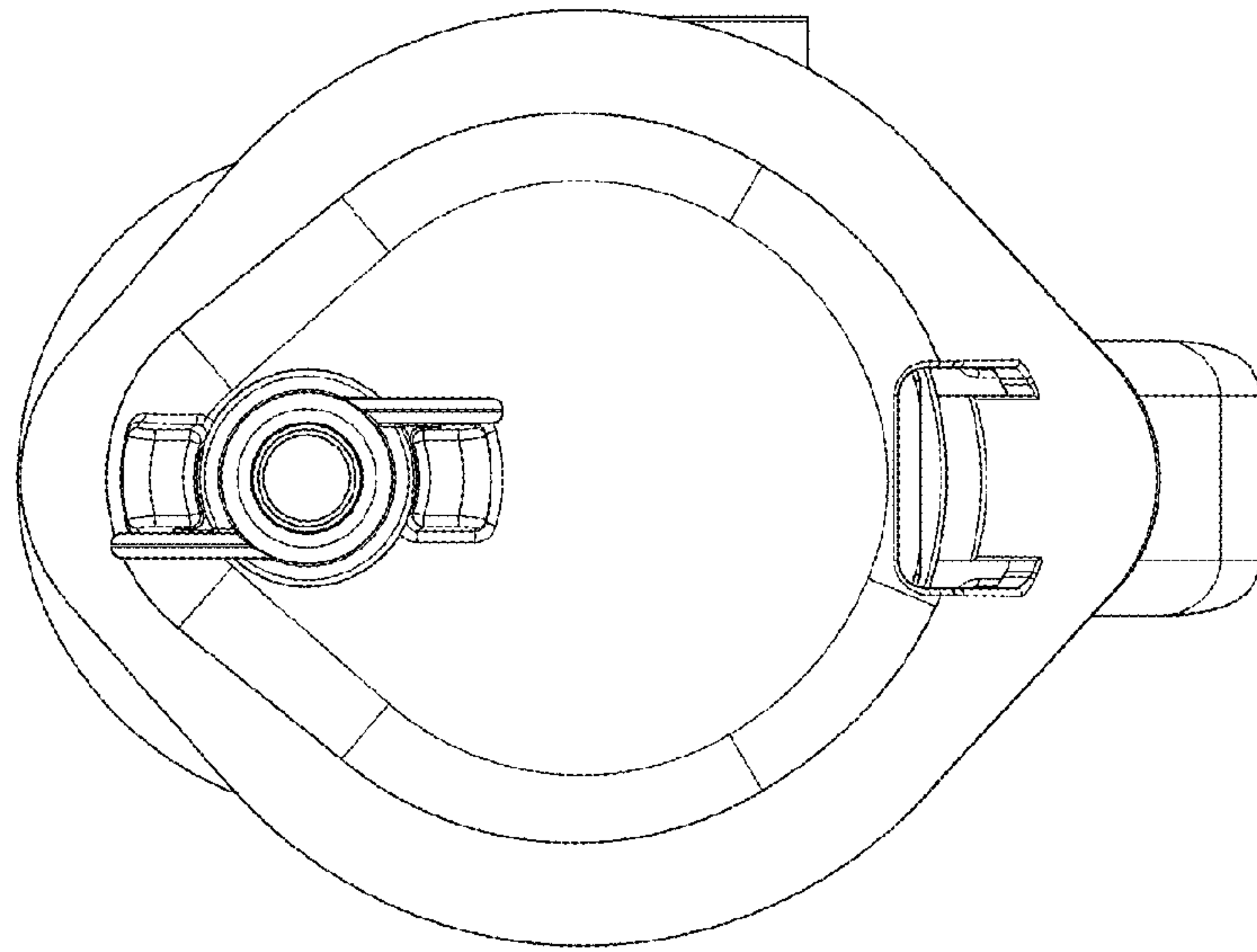


Fig. 2.

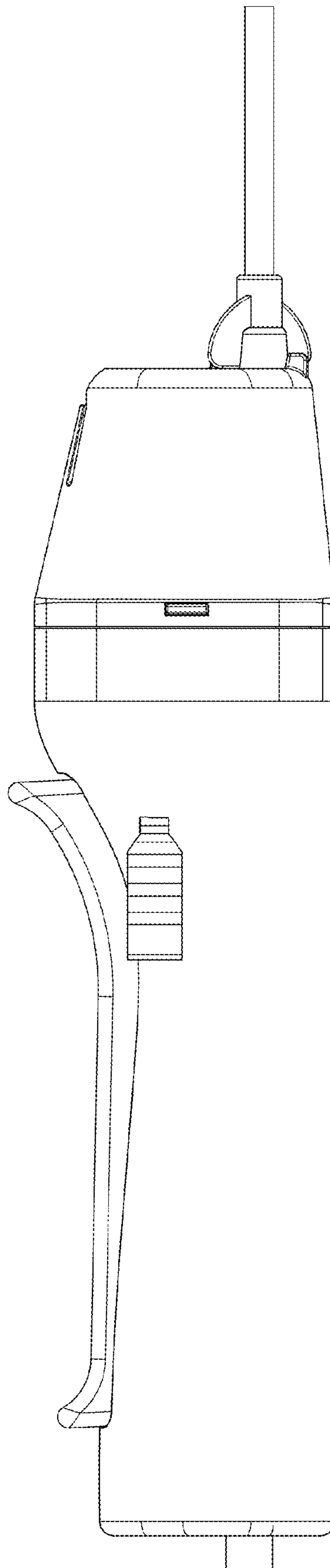


Fig. 3.

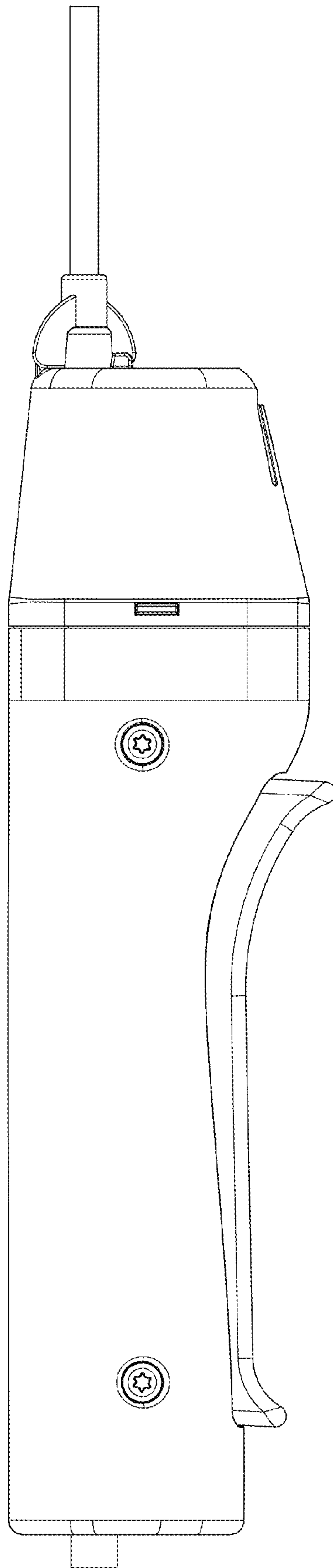


Fig. 4.

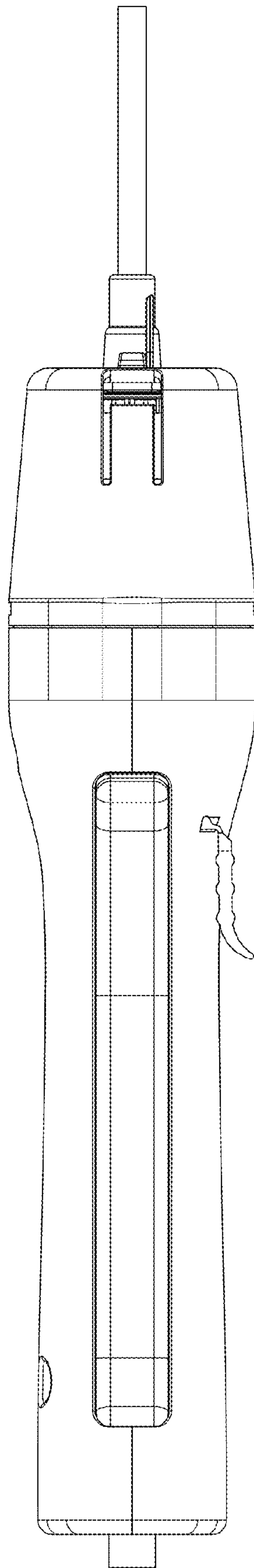


Fig. 5.

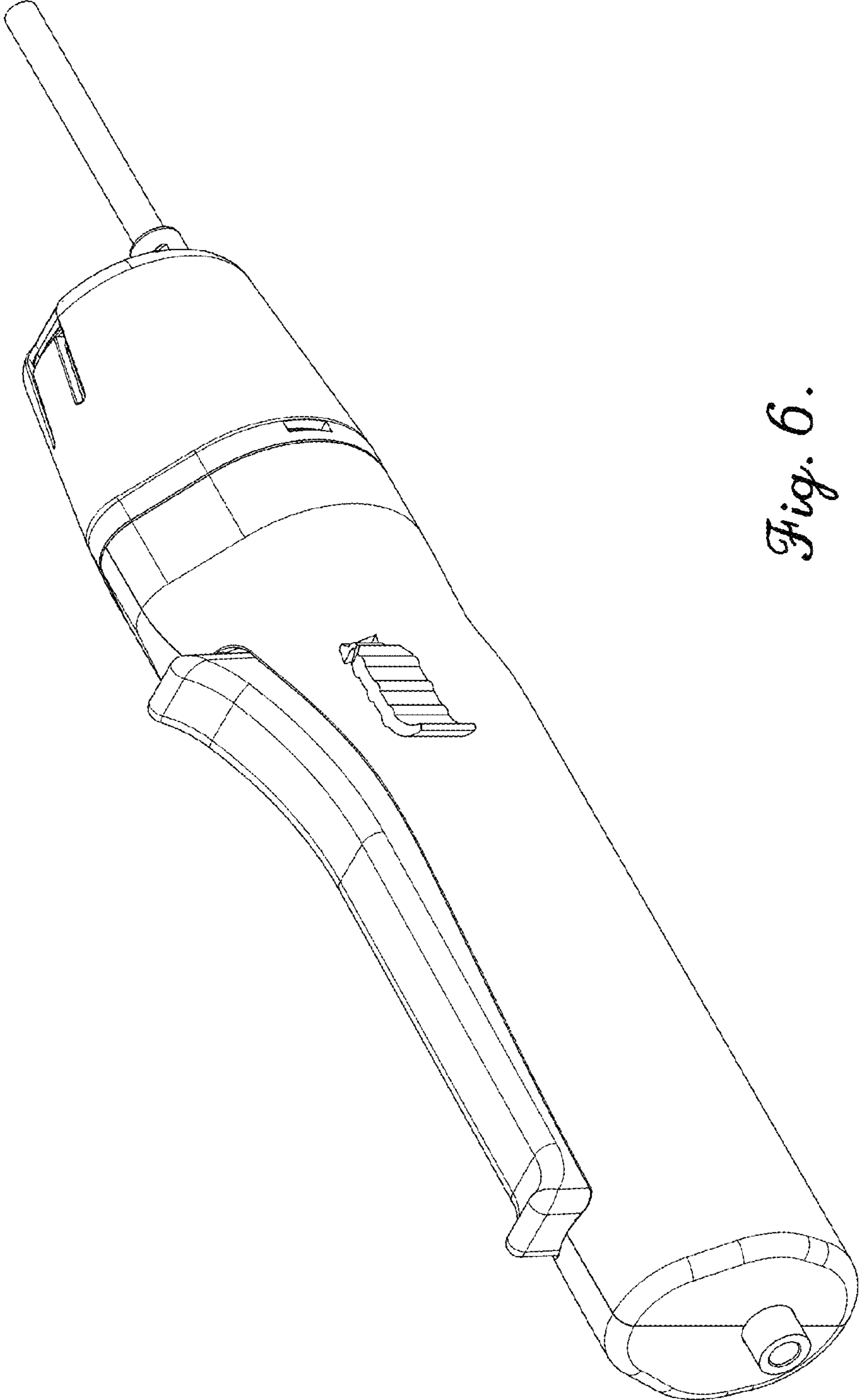


Fig. 6.

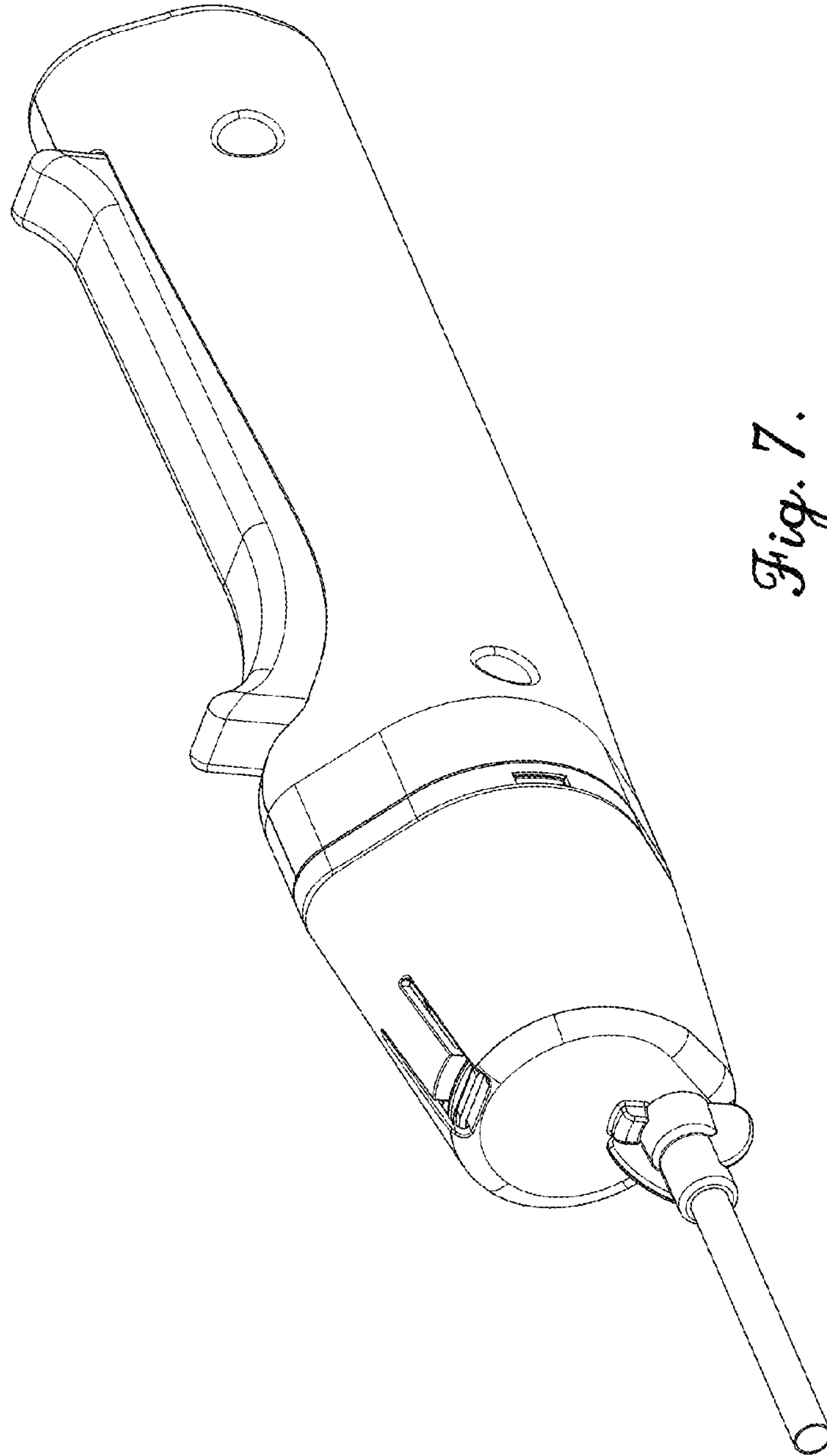


Fig. 7.